



US00D424865S

**United States Patent** [19]  
**Crescenzi et al.**

[11] **Patent Number: Des. 424,865**  
[45] **Date of Patent: \*\* May 16, 2000**

[54] **BLENDER WITH SOUND ENCLOSURE**  
[75] Inventors: **Donald Crescenzi**, Killingworth;  
**Thomas Rockwell**, Terryville; **Guy**  
**Casalino**, Weatogue; **Frank**  
**Chiappetta**, Woodbury; **Paul Turnrose**,  
Forestville, all of Conn.

D. 310,932 10/1990 Mitsubayashi ..... D7/378  
D. 311,658 10/1990 Mitsubayashi ..... D7/378  
D. 320,716 10/1991 Maass ..... D7/378  
D. 347,966 6/1994 Doggett ..... D7/378  
3,537,691 11/1970 Tsuruta et al. .... 241/282.2

[73] Assignee: **Dynamics Corporation of America**,  
New Hartford, Conn.

*Primary Examiner*—Caron D. Veynar  
*Attorney, Agent, or Firm*—McCormick, Paulding & Huber  
LLP

[\*\*] Term: **14 Years**

[57] **CLAIM**

The ornamental design for the blender with sound enclosure,  
as shown and described.

[21] Appl. No.: **29/081,493**  
[22] Filed: **Jan. 5, 1998**

**DESCRIPTION**

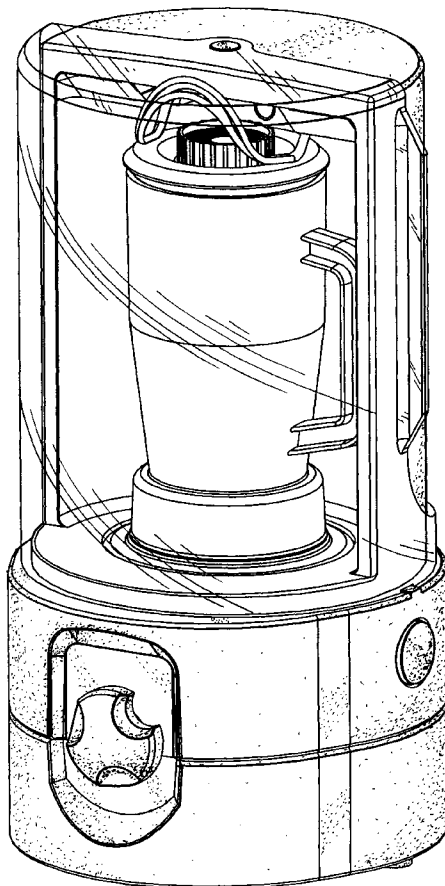
[51] **LOC (7) Cl.** ..... **31-00**  
[52] **U.S. Cl.** ..... **D7/378**  
[58] **Field of Search** ..... D7/323, 376-386,  
D7/412, 413; 241/282.1, 282.2; 366/129,  
130, 197, 199, 204, 205, 314; 400/689,  
690, 690.1

FIG. 1 is a perspective view of the blender with sound enclosure.  
FIG. 2 is a top view of the blender with sound enclosure.  
FIG. 3 is a bottom view of the blender with sound enclosure.  
FIG. 4 is a front view of the blender with sound enclosure.  
FIG. 5 is a right hand side view of the blender with sound enclosure.  
FIG. 6 is a rear view of the blender with sound enclosure;  
and,  
FIG. 7 is a left hand side view of the blender with sound enclosure.

[56] **References Cited**  
**U.S. PATENT DOCUMENTS**

D. 295,012 4/1988 Gelber ..... D7/412  
D. 309,547 7/1990 Kane ..... D7/323

**1 Claim, 6 Drawing Sheets**



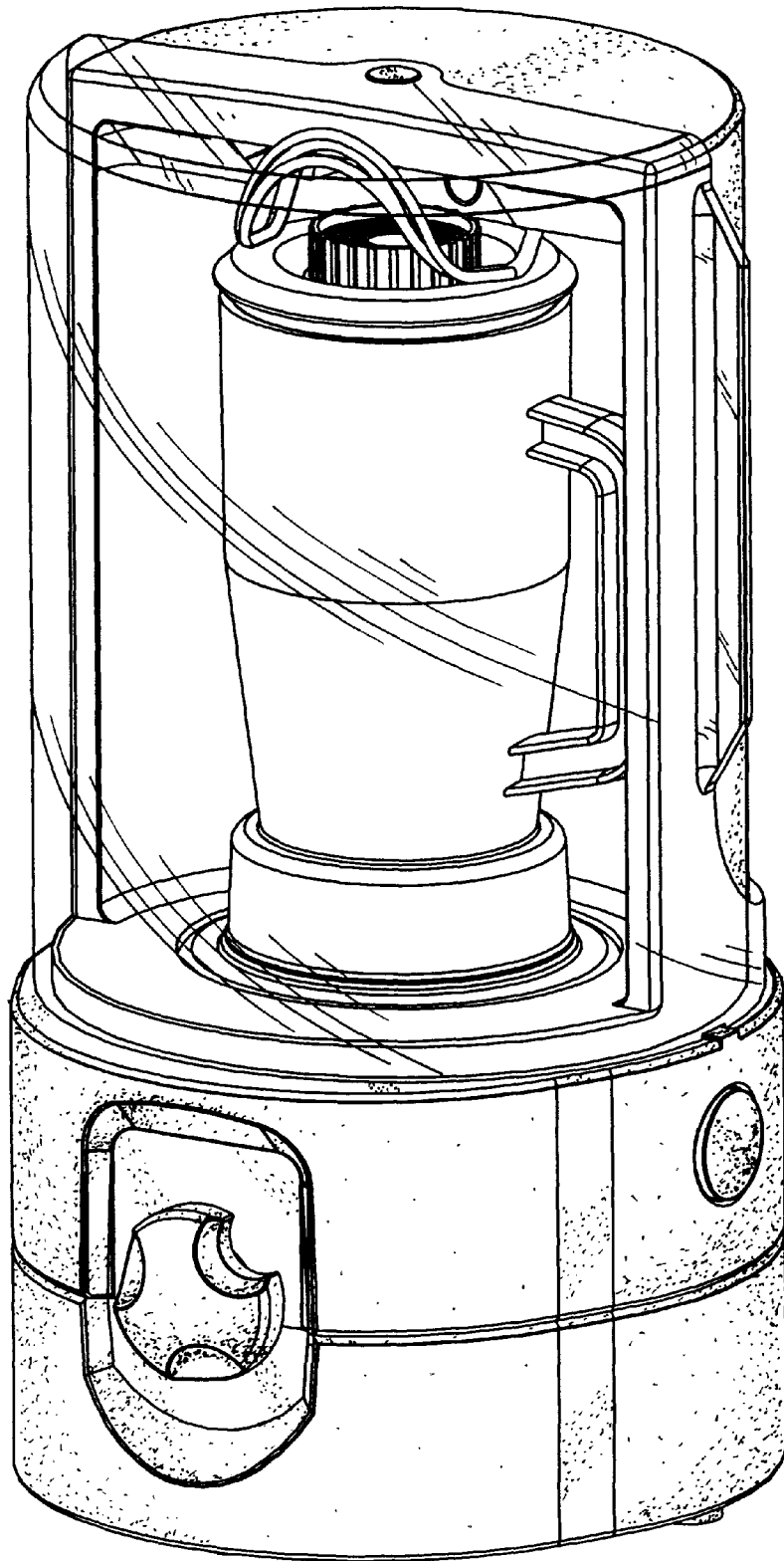


FIG. 1

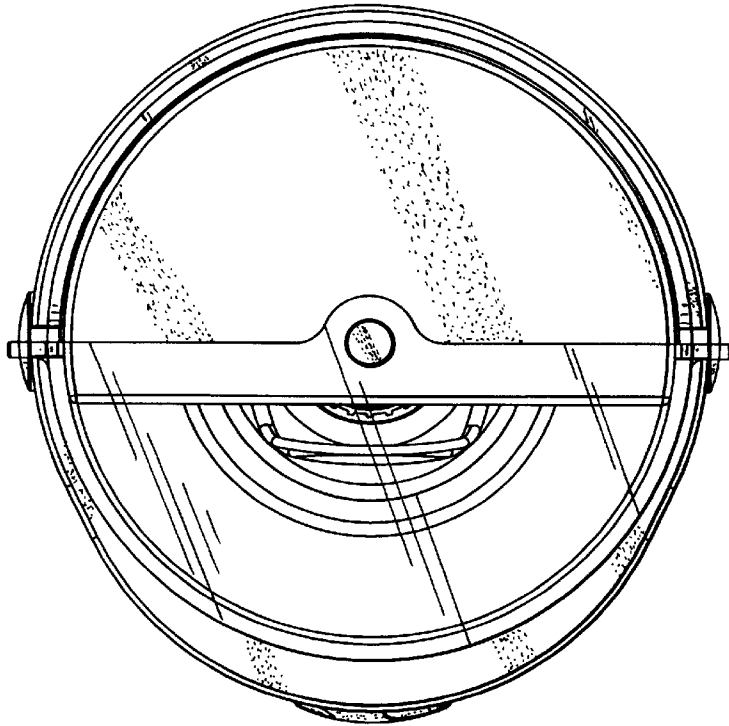


FIG. 2

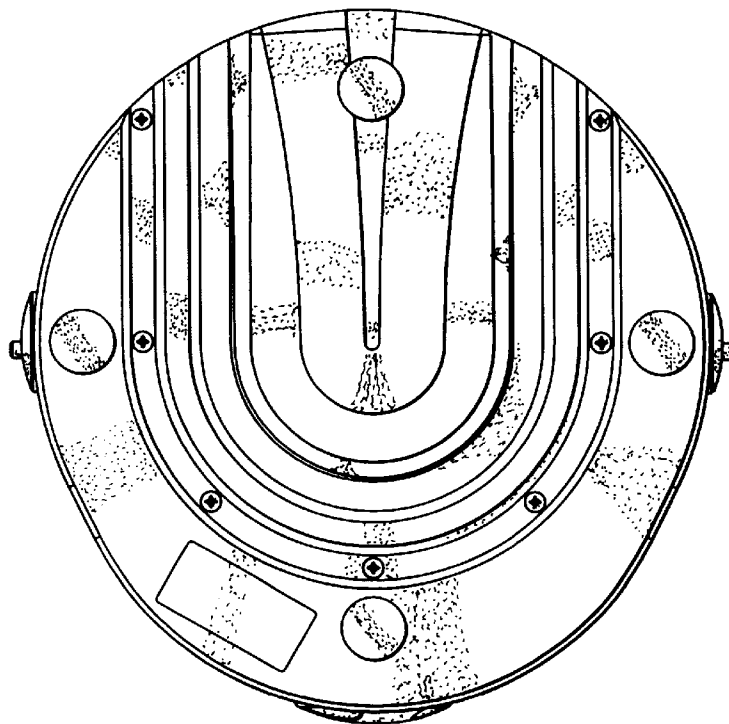


FIG. 3

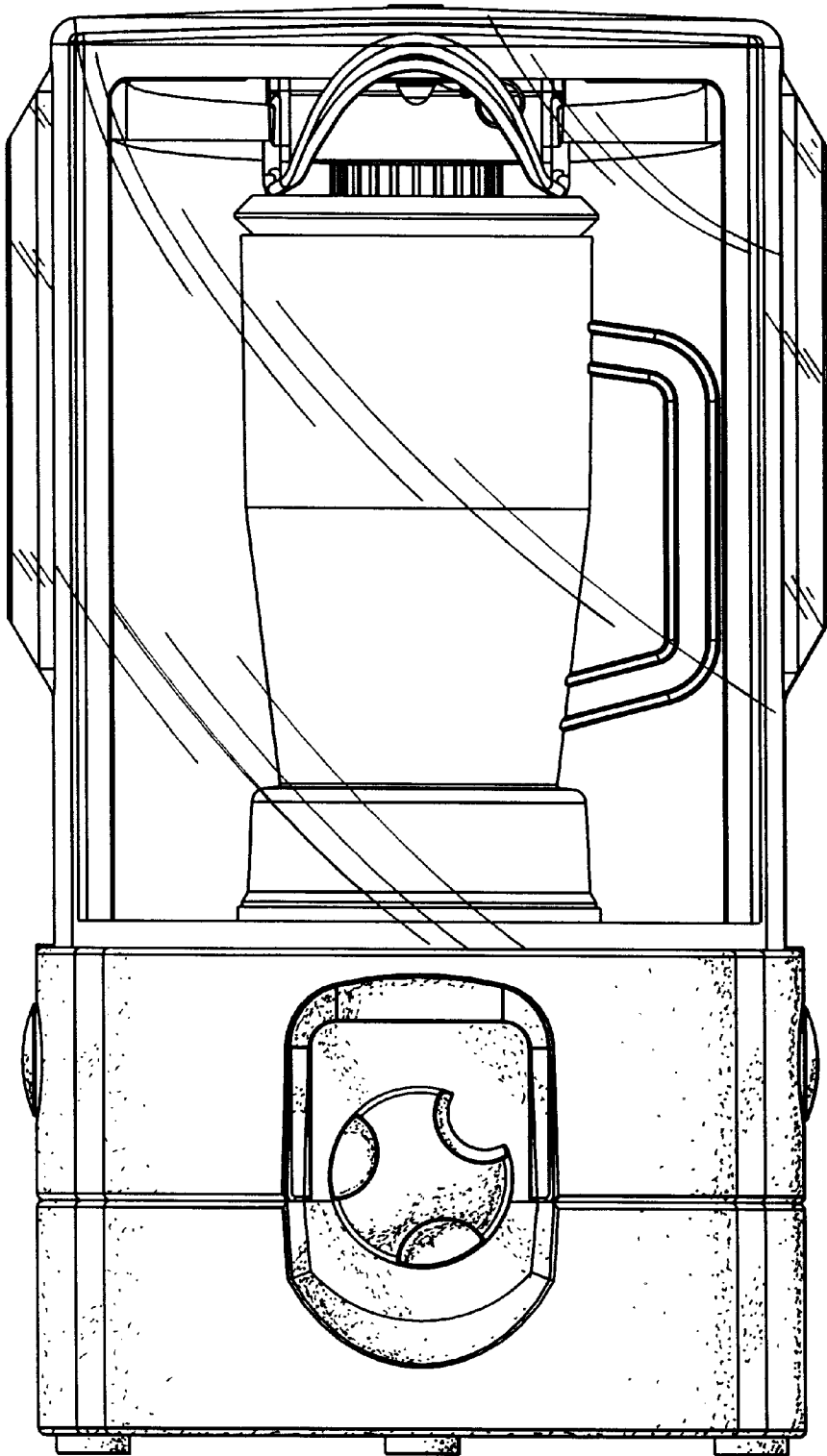


FIG. 4

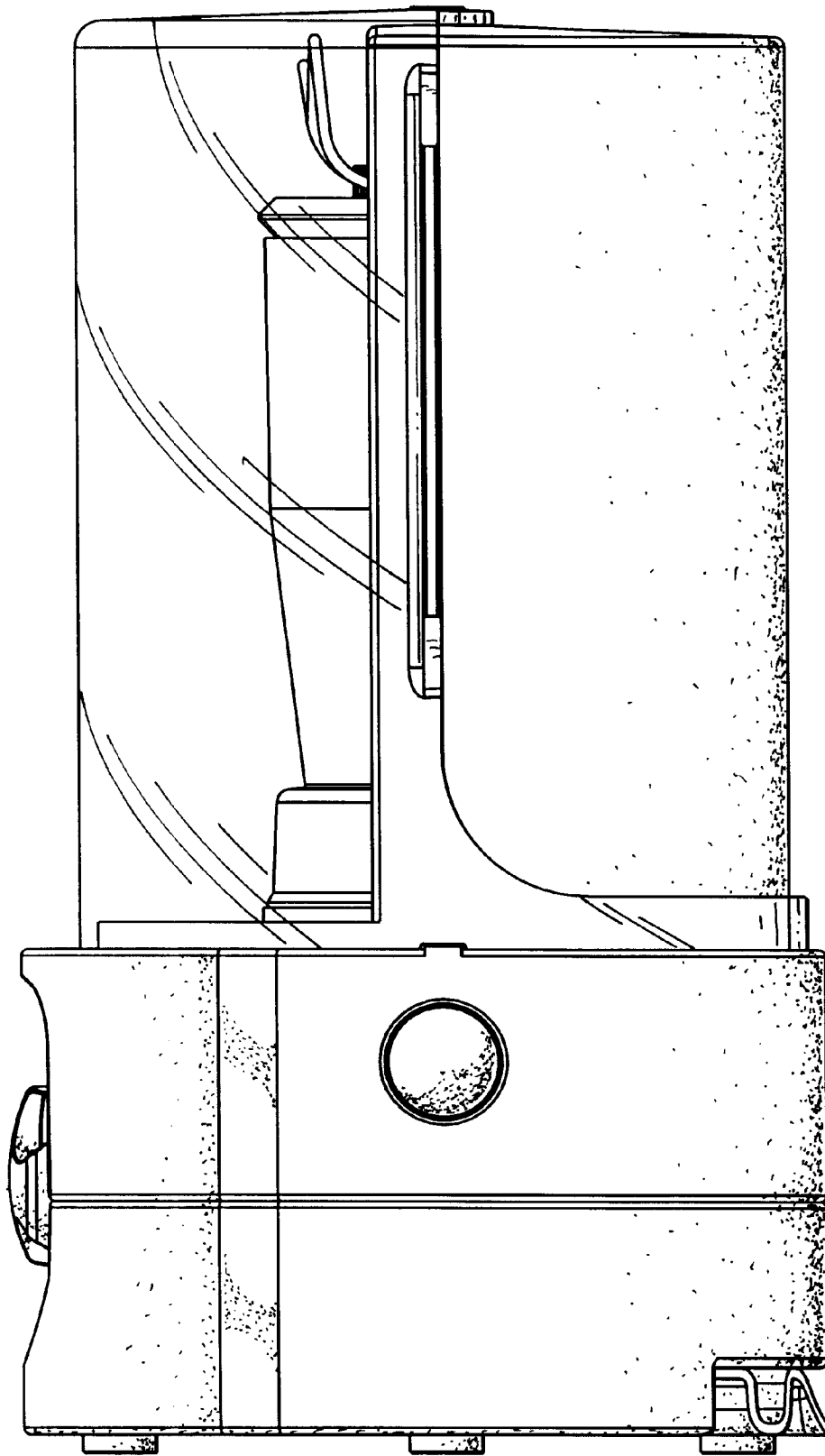


FIG. 5

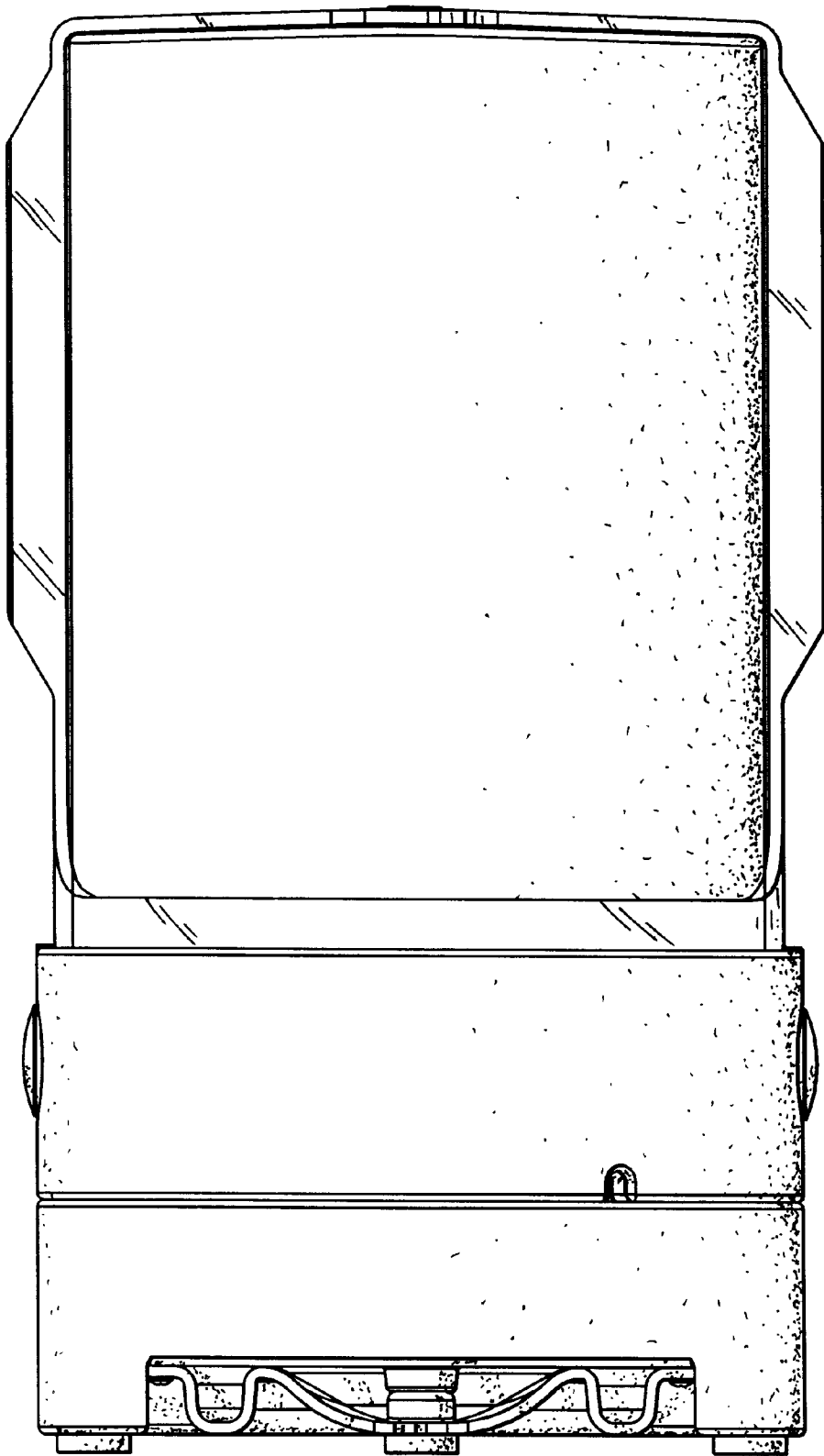


FIG. 6

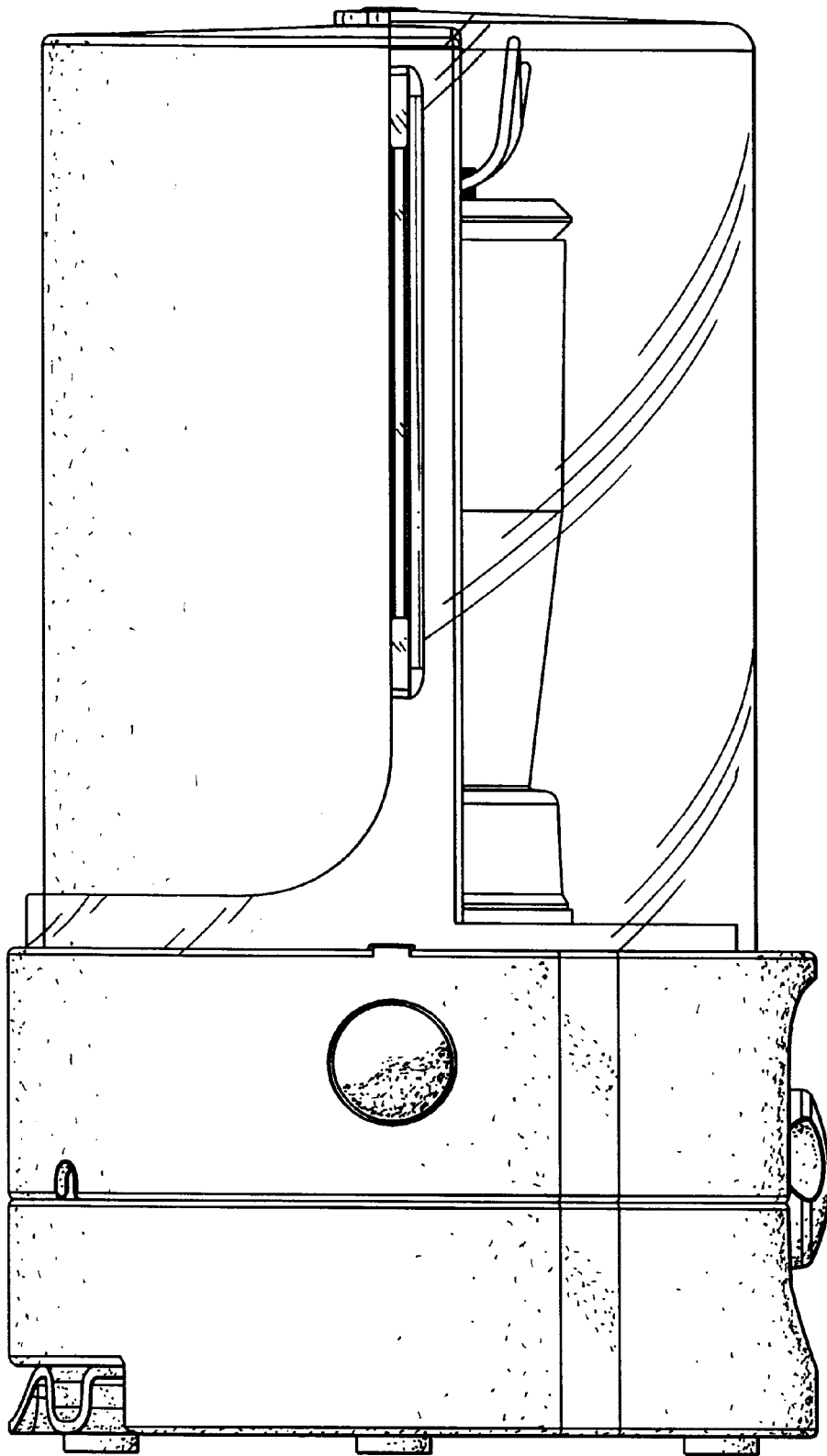


FIG. 7