



US00D858281S

(12) **United States Design Patent** (10) **Patent No.:** **US D858,281 S**
Diaz et al. (45) **Date of Patent:** **** Sep. 3, 2019**

(54) **CAP WITH SEPTA**

FOREIGN PATENT DOCUMENTS

(71) Applicant: **INTEGRATED LINER TECHNOLOGIES, INC.**, Rensselaer, NY (US)

CA 2476860 A1 * 2/2006 B65D 47/265
EP 1584572 A1 * 10/2005 B65D 41/0442
(Continued)

(72) Inventors: **Lenny Diaz**, Clifton Park, NY (US);
Paul M. Petrosino, Schoharie, NY (US)

OTHER PUBLICATIONS

Port Caps: Announced Oct. 16, 2015 [online]. Site visited Oct. 11, 2017. Available from Internet URL: <https://web.archive.org/web/20141018072610/https://www.calpaclab.com/port-caps/>.*

(73) Assignee: **INTEGRATED LINER TECHNOLOGIES, INC.**, Rensselaer, NY (US)

(Continued)

(**) Term: **15 Years**

Primary Examiner — Jennifer Rivard
Assistant Examiner — Catherine S Posthauer
(74) *Attorney, Agent, or Firm* — Heslin Rothenberg Farley & Mesiti P.C.; Kristian E. Ziegler

(21) Appl. No.: **29/587,056**

(22) Filed: **Dec. 9, 2016**

Related U.S. Application Data

(57) **CLAIM**

(63) Continuation of application No. PCT/US2015/063590, filed on Dec. 3, 2015.

The ornamental design for a cap with septa, as shown and described.

(51) **LOC (12) Cl.** **09-07**

(52) **U.S. Cl.** **D9/436**

(58) **Field of Classification Search**

USPC D3/202; D7/300, 300.1, 313, 314, 316, D7/387, 393, 396.1, 396.2, 396, 397, 398, D7/401.1, 509, 510, 511, 523, 525, 526, D7/527, 528, 538, 602, 619.1, 900; D9/434-440, 443, 446-449, 452-454, (Continued)

DESCRIPTION

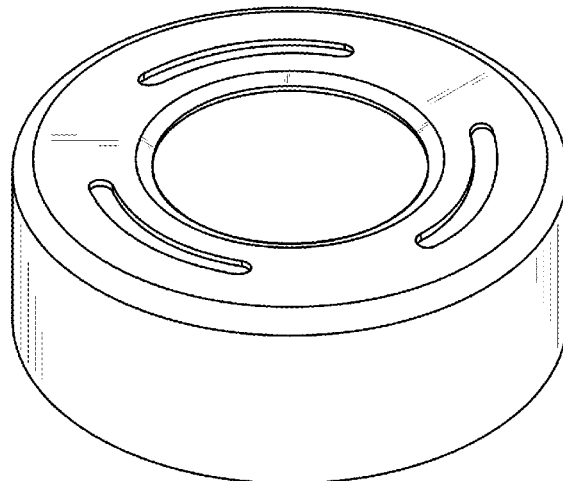
FIG. 1 is a top perspective view of a cap with septa, showing our new design;
FIG. 2 is a bottom perspective view thereof;
FIG. 3 is a top view thereof;
FIG. 4 is a bottom view thereof;
FIG. 5 is a left side view thereof;
FIG. 6 is a right side view thereof;
FIG. 7 is an exploded top perspective view thereof;
FIG. 8 is an exploded bottom perspective view thereof; and,
FIG. 9 is a top perspective view thereof, showing the cap with septa in a position of use with an exemplary vial. The broken lines represent environmental subject matter of an exemplary vial as well as parts of the septa of the cap with septa, none of which form part of the claim.

(56) **References Cited**

U.S. PATENT DOCUMENTS

156,088 A * 10/1874 How B65D 47/265 222/548
D91,437 S * 1/1934 Nielsen D9/444
(Continued)

1 Claim, 6 Drawing Sheets



(58) **Field of Classification Search**

USPC D9/686, 688, 690, 723, 724, 763, 772;
 D23/209, 259, 260, 261; D24/121, 224;
 D28/76, 78, 82; D34/10, 11
 CPC A47G 19/2205; A47G 19/2222; A47G
 19/2266; A47G 19/2272; A47G 19/2294;
 B65D 43/02; B65D 43/14; B65D 43/26;
 B65D 51/18; B65D 2251/0018; B65D
 2251/0081; B65D 2251/0026; B65D
 2251/009; B65D 2543/00046; B65D
 39/00; B65D 39/0005; B65D 39/02;
 B65D 39/08; B65D 39/14; B65D 41/00;
 B65D 41/02; B65D 41/005; B65D
 41/023; B65D 41/026; B65D 41/0414;
 B65D 41/0421; B65D 41/0428; B65D
 41/0476; B65D 41/0485; B65D 41/0492;
 B65D 41/16; B65D 41/17; B65D 41/26;
 B65D 41/32; B65D 50/00; B65D 53/00;
 B65D 53/02; B65D 53/04; B65D 55/02;
 A47J 36/10; A47J 36/14; A47J 36/06

See application file for complete search history.

(56) **References Cited**

U.S. PATENT DOCUMENTS

3,261,504 A * 7/1966 Sabaka B65D 47/265
 222/480
 D315,507 S * 3/1991 Ochs D9/453
 5,076,425 A * 12/1991 Plone A47G 21/004
 206/220
 D362,389 S * 9/1995 Frye D9/452
 D371,276 S * 7/1996 Laib D7/388
 5,816,421 A * 10/1998 Clodfelter B65D 50/00
 116/200
 D424,750 S * 5/2000 Zalzal D28/76
 D442,864 S * 5/2001 Davies D9/454
 D502,052 S * 2/2005 Meade D7/388
 D518,373 S * 4/2006 Schulthess D9/434
 D520,596 S * 5/2006 Johnson D23/209
 D527,633 S * 9/2006 Stull D9/454
 D543,108 S * 5/2007 Reed D9/453
 D562,684 S * 2/2008 Brashear D9/454
 D574,708 S * 8/2008 Reed D9/453
 D581,809 S * 12/2008 Wichowski D9/504
 D628,894 S * 12/2010 Pontes D9/454
 D642,057 S * 7/2011 Reed D9/453
 D654,309 S * 2/2012 Tiemann D7/401.1
 8,177,762 B2 5/2012 Beasley
 D694,109 S * 11/2013 Tanner D9/447

8,608,713 B2 12/2013 Beasley
 D732,644 S * 6/2015 Yamagishi D23/261
 D736,621 S * 8/2015 Ivancic D9/436
 D738,210 S * 9/2015 Tanner D9/440
 8,976,029 B1 9/2015 McTigue
 D751,898 S * 3/2016 D'Anglade D9/435
 D751,902 S * 3/2016 Sturk D9/447
 9,649,254 B2 * 5/2017 Frishman A61J 1/1412
 D790,041 S * 6/2017 Jang D23/259
 9,694,946 B2 * 7/2017 Kapolas B65D 41/04
 D793,231 S * 8/2017 Langfelder D9/449
 2003/0061705 A1 4/2003 Smeyak et al.
 2005/0242957 A1 11/2005 Lindsay et al.
 2006/0185448 A1 * 8/2006 Sakal B01L 3/50825
 73/863
 2006/0213964 A1 9/2006 Excoffier et al.
 2006/0224129 A1 10/2006 Beasley
 2006/0238341 A1 10/2006 Commagnac et al.
 2006/0283945 A1 12/2006 Excoffier
 2007/0152829 A1 7/2007 Lindsay et al.
 2007/0182563 A1 8/2007 Abbott
 2007/0194019 A1 8/2007 Seagle et al.
 2008/0078760 A1 * 4/2008 Auer A47J 36/027
 219/735
 2008/0149574 A1 6/2008 Read
 2008/0314900 A1 12/2008 Biesecker et al.
 2009/0065466 A1 3/2009 Petrosino et al.
 2010/0007464 A1 1/2010 McTigue
 2010/0108633 A1 5/2010 Chen et al.
 2011/0263461 A1 10/2011 Kastury et al.
 2012/0187197 A1 7/2012 Masin
 2012/0217244 A1 8/2012 Phaneuf et al.
 2012/0226244 A1 9/2012 Beasley
 2012/0227860 A1 9/2012 Jeremiah
 2013/0316442 A1 11/2013 Meurville et al.
 2013/0333873 A1 12/2013 Giroux et al.
 2014/0100534 A1 4/2014 Beasley
 2014/0266760 A1 9/2014 Burke, Jr. et al.

FOREIGN PATENT DOCUMENTS

JP 2012106763 A * 6/2012 A61J 1/1406
 WO WO-9821111 A1 * 5/1998 B65D 41/18

OTHER PUBLICATIONS

Final Office Action in U.S. Appl. No. 14/570,421, dated Dec. 11, 2017, 8 pgs.
 Office Action in U.S. Appl. No. 14/570,421, dated Jul. 3, 2017, pp. 1-9.
 Office Action in U.S. Appl. No. 15/612,020 dated Jan. 28, 2019, 25 pgs.

* cited by examiner

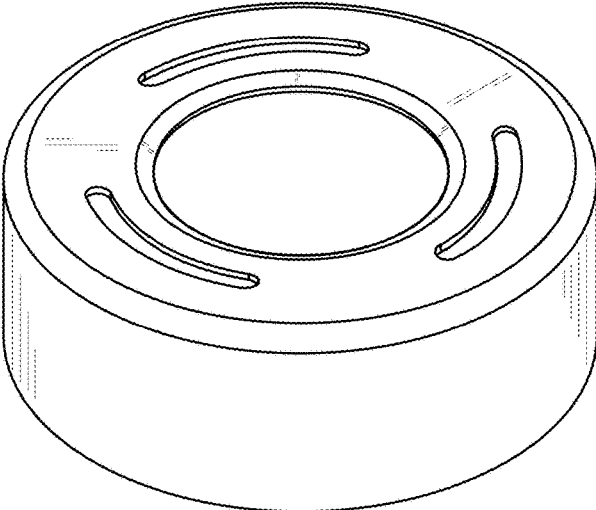


FIG. 1

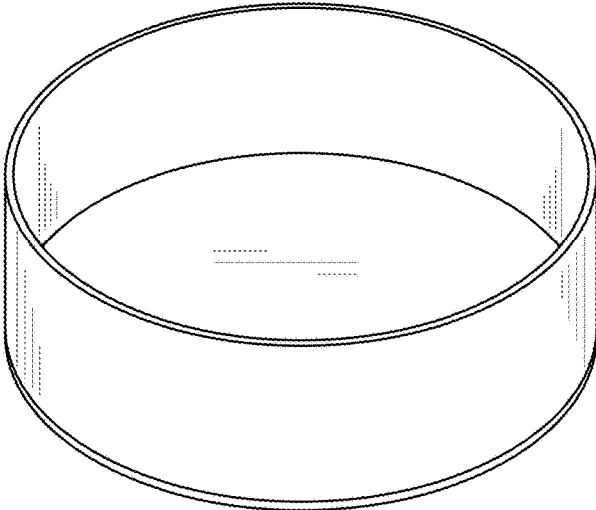


FIG. 2

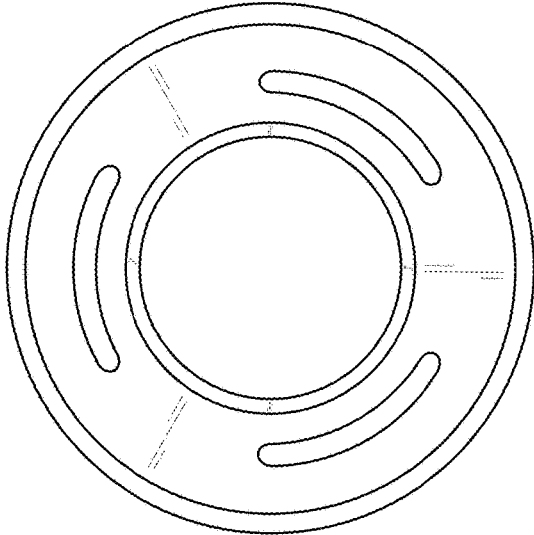


FIG. 3

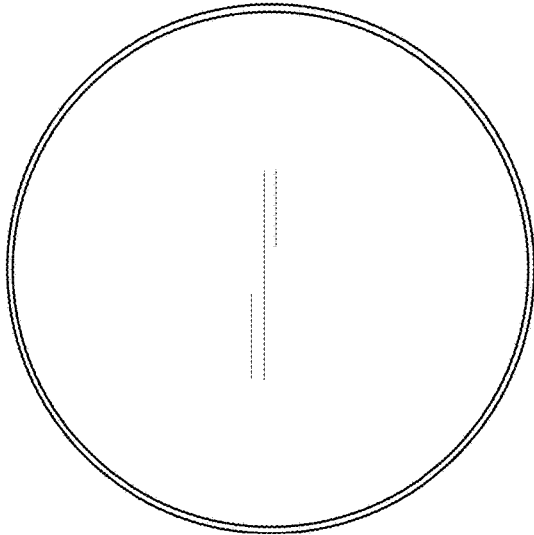


FIG. 4

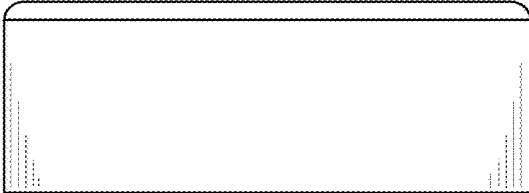


FIG. 5



FIG. 6

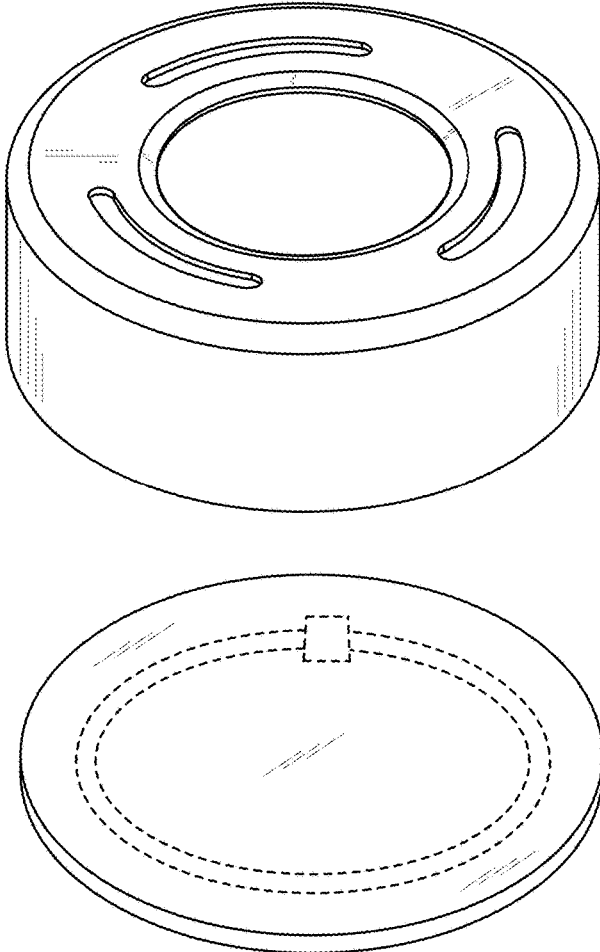


FIG. 7

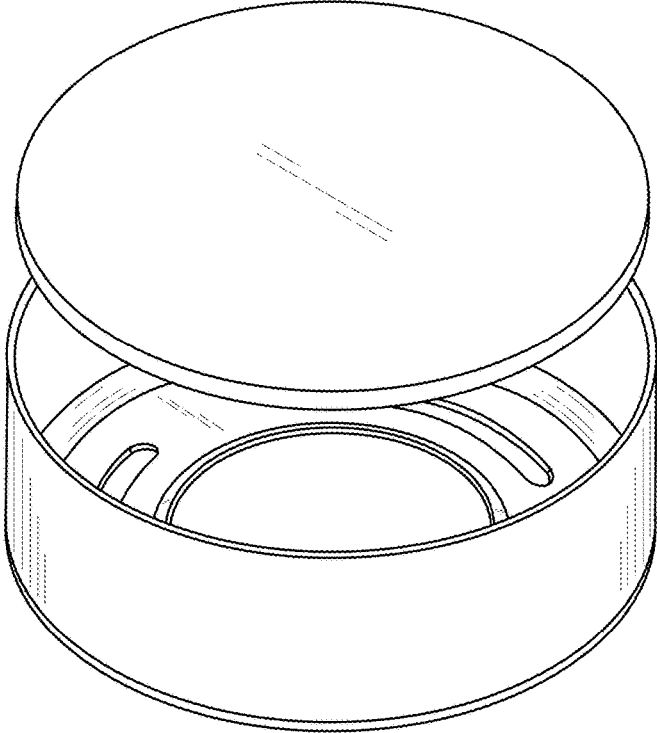


FIG. 8

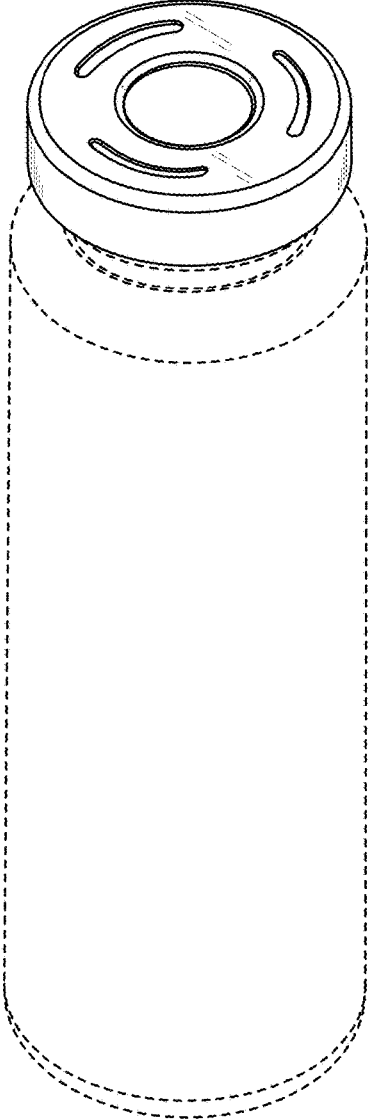


FIG. 9