



US00D840794S

(12) **United States Design Patent**
Bradshaw et al.

(10) **Patent No.:** **US D840,794 S**

(45) **Date of Patent:** **** Feb. 19, 2019**

(54) **LOAD-MOUNTABLE LIFT EYE**

FOREIGN PATENT DOCUMENTS

(71) Applicant: **MJT Holdings, LLC**, Valdosta, GA (US)

DE 202014102175 U1 7/2014
EP 0654611 A1 6/1995

(Continued)

(72) Inventors: **Benjie Bradshaw**, Valdosta, GA (US);
Patrick Lawrence Giles, Hahira, GA (US)

OTHER PUBLICATIONS

(73) Assignee: **MJT Holdings, LLC**, Valdosta, GA (US)

International Search Report and Written Opinion in Applicant's co-pending PCT International Patent Application No. PCT/US2017/063331; dated Feb. 13, 2018.

(**) Term: **15 Years**

Primary Examiner — Cynthia R Underwood

(21) Appl. No.: **29/627,458**

(74) *Attorney, Agent, or Firm* — Lance M. Pritikin

(22) Filed: **Nov. 27, 2017**

(57) **CLAIM**

(51) **LOC (11) Cl.** **08-05**

The ornamental design for a load-mountable lift eye, as shown and described.

(52) **U.S. Cl.**

USPC **D8/367**

(58) **Field of Classification Search**

USPC D8/367, 354, 349

See application file for complete search history.

DESCRIPTION

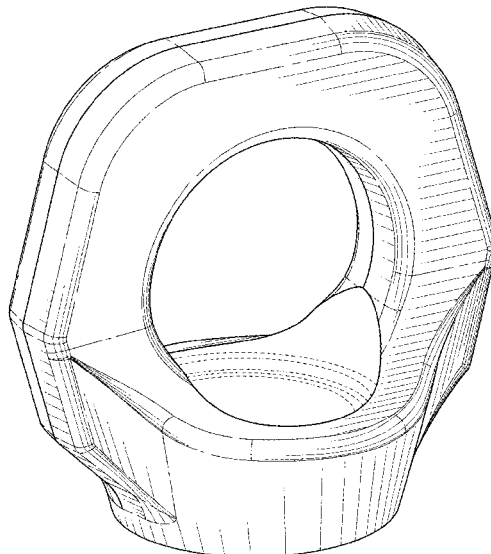
(56) **References Cited**

U.S. PATENT DOCUMENTS

D31,861	S	*	11/1899	Copeland	D13/132
1,761,978	A		6/1930	Black		
2,748,646	A		6/1956	Harold et al.		
2,867,874	A	*	1/1959	Larson	24/115 K
D198,281	S	*	5/1964	Mills	D8/356
3,421,726	A	*	1/1969	Getter	B60P 7/0807 296/43
3,492,033	A		1/1970	Mueller		
4,068,878	A		1/1978	Wilner		
4,408,941	A	*	10/1983	Motz	411/378
4,419,785	A		12/1983	McWhirter		
4,570,987	A		2/1986	Wong et al.		
4,641,986	A		2/1987	Tsui et al.		
4,828,443	A	*	5/1989	Simmons	F16B 45/00 248/231.9

(Continued)

1 Claim, 6 Drawing Sheets



(56)

References Cited

U.S. PATENT DOCUMENTS

5,054,982 A 10/1991 Freeman
 5,125,861 A 6/1992 Freeman
 D335,077 S * 4/1993 Haney D8/387
 D341,127 S * 11/1993 Sachs D13/149
 5,439,338 A * 8/1995 Rosenberg B25B 13/5091
 411/29
 5,690,457 A 11/1997 Smetz
 5,743,678 A * 4/1998 Pitre E21D 11/006
 405/259.1
 5,865,416 A * 2/1999 Hanaway 248/551
 D413,509 S * 9/1999 Robertson D8/387
 D413,791 S * 9/1999 May D3/387
 D417,139 S * 11/1999 Pitre D8/387
 5,992,910 A * 11/1999 Kwon 294/215
 6,039,500 A 3/2000 Kwon
 6,267,422 B1 7/2001 Alba
 6,478,350 B2 11/2002 Zuliani

6,994,501 B2 2/2006 Smetz
 D573,877 S * 7/2008 Vautour D8/387
 7,393,033 B1 7/2008 Bisso, IV
 D605,500 S * 12/2009 Lee D8/387
 D612,713 S * 3/2010 Konecnik D8/387
 7,783,519 B2 8/2010 Alba
 D638,695 S * 5/2011 Woodrow et al. D8/382
 D700,504 S * 3/2014 Blocker D8/367
 8,757,693 B2 6/2014 Fuller et al.
 D742,724 S 11/2015 Smetz
 9,188,151 B2 11/2015 Ivanic et al.
 9,193,570 B2 11/2015 Norpoth
 2003/0180118 A1* 9/2003 Alba et al. 411/400

FOREIGN PATENT DOCUMENTS

EP 2495459 A1 9/2012
 FR 2880084 A1 6/2006
 WO 2015014346 A1 2/2015

* cited by examiner

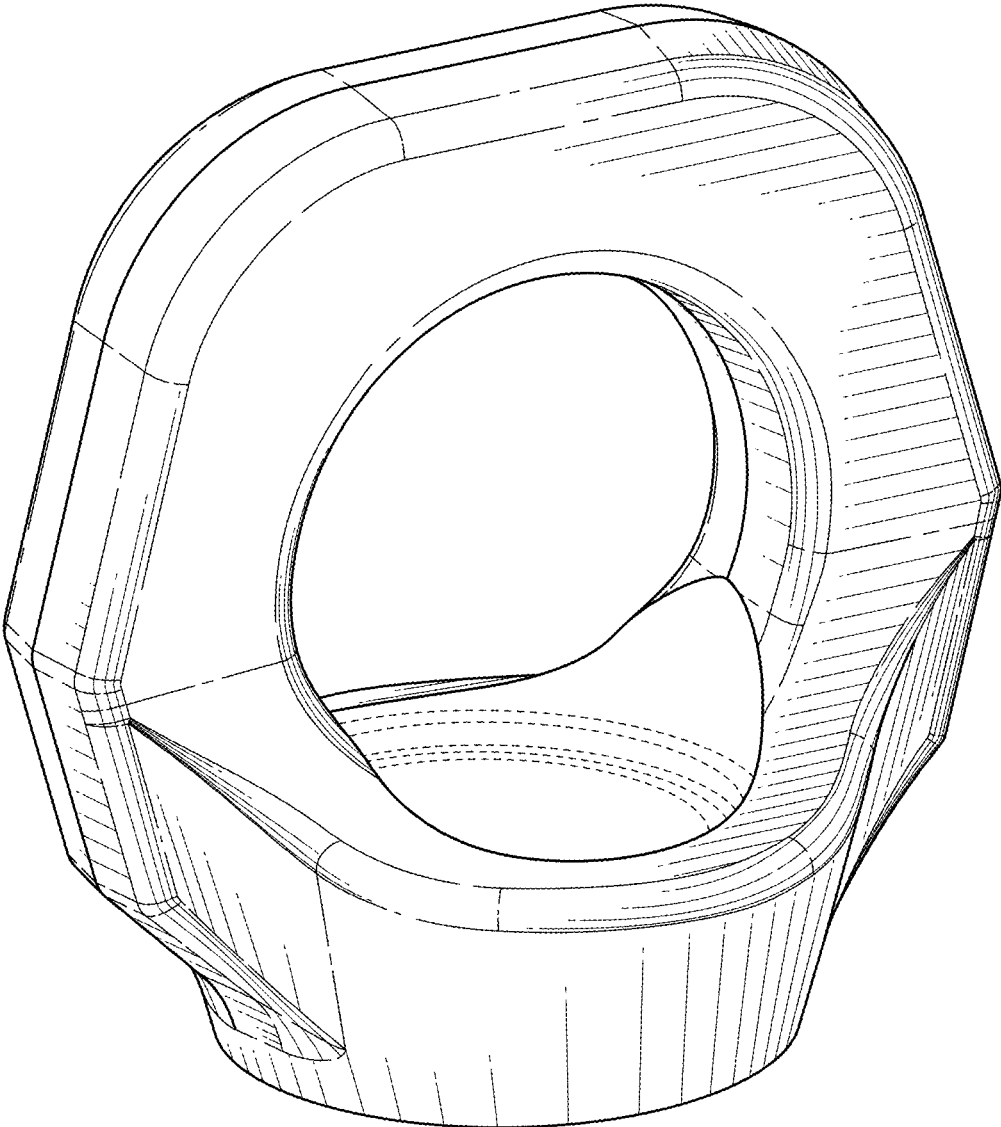


FIG. 1

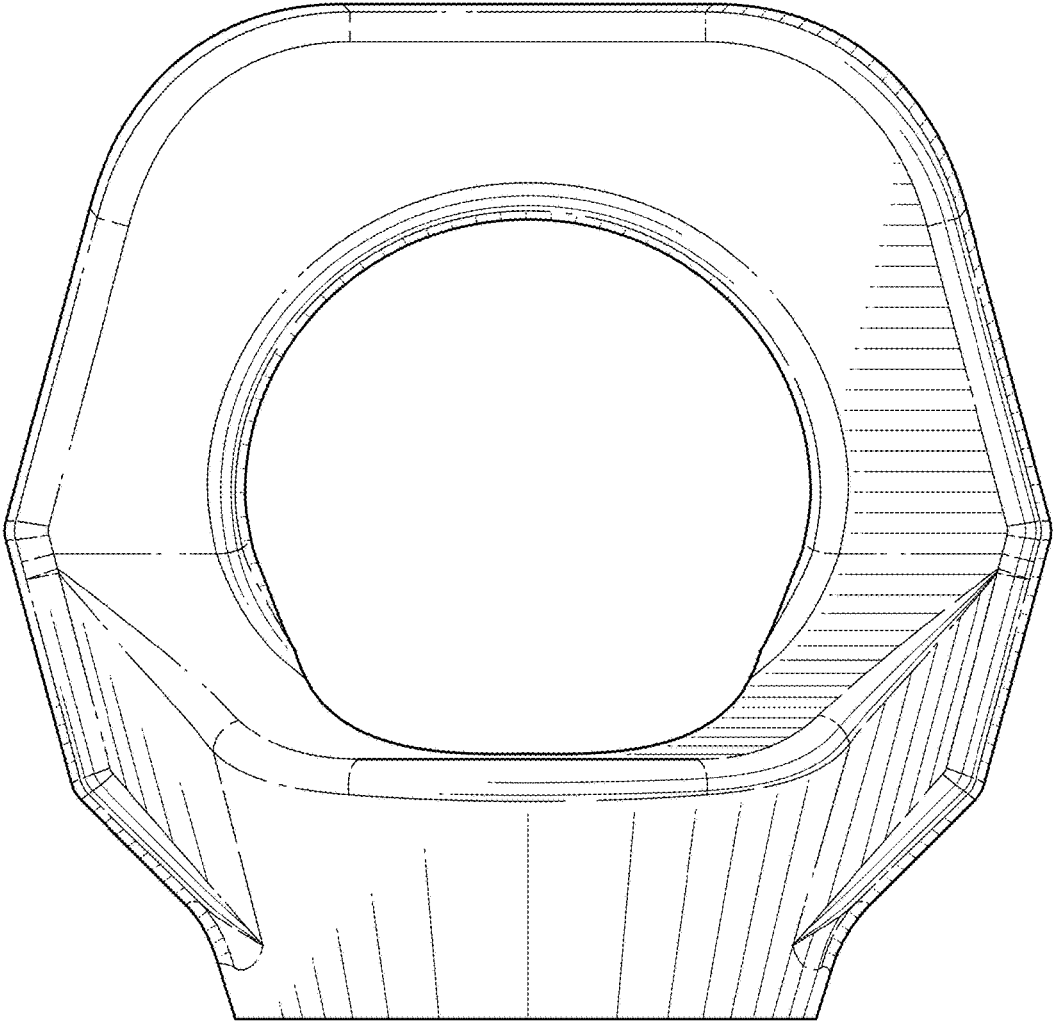


FIG. 2

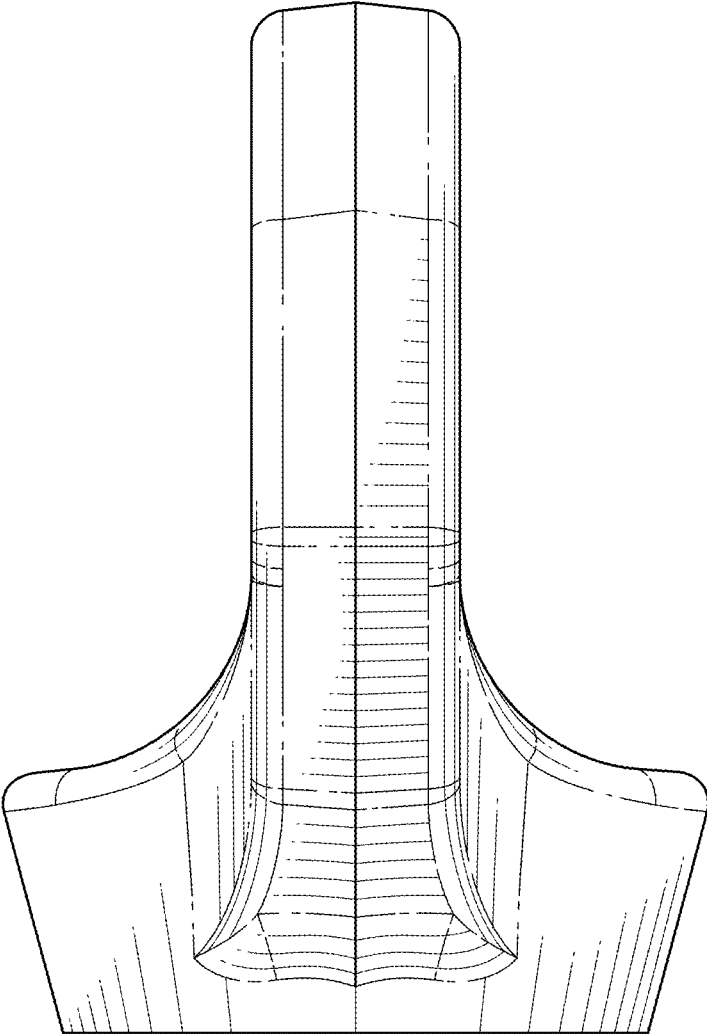


FIG. 3

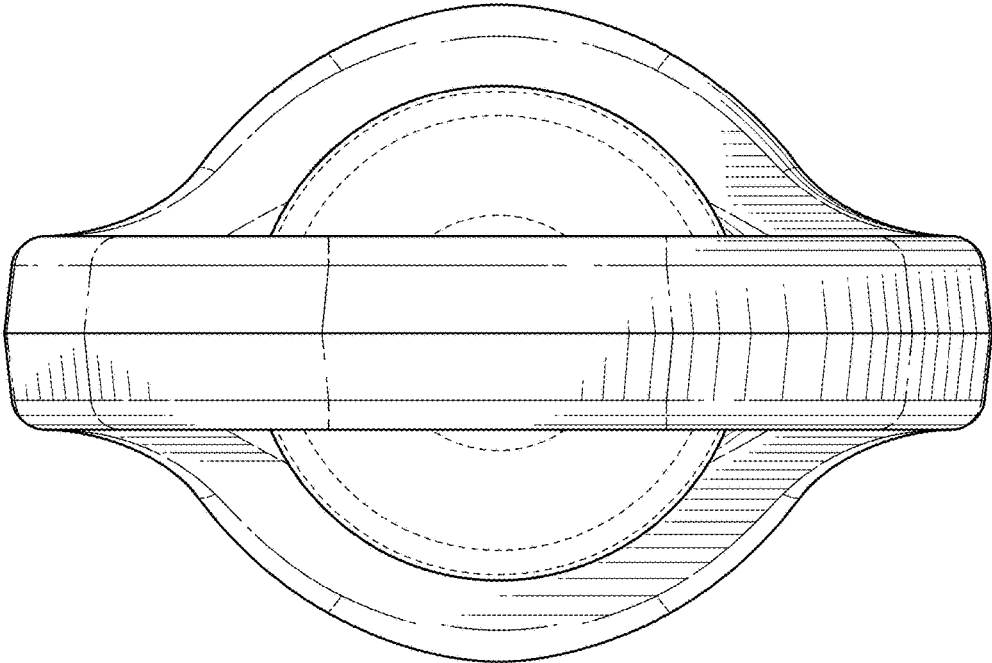


FIG. 4

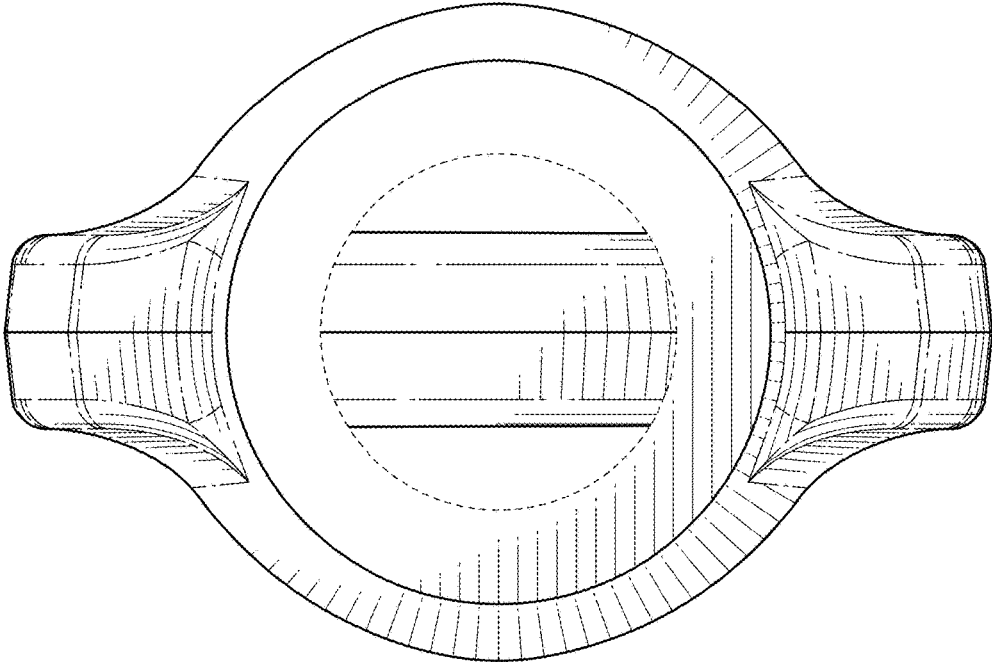


FIG. 5

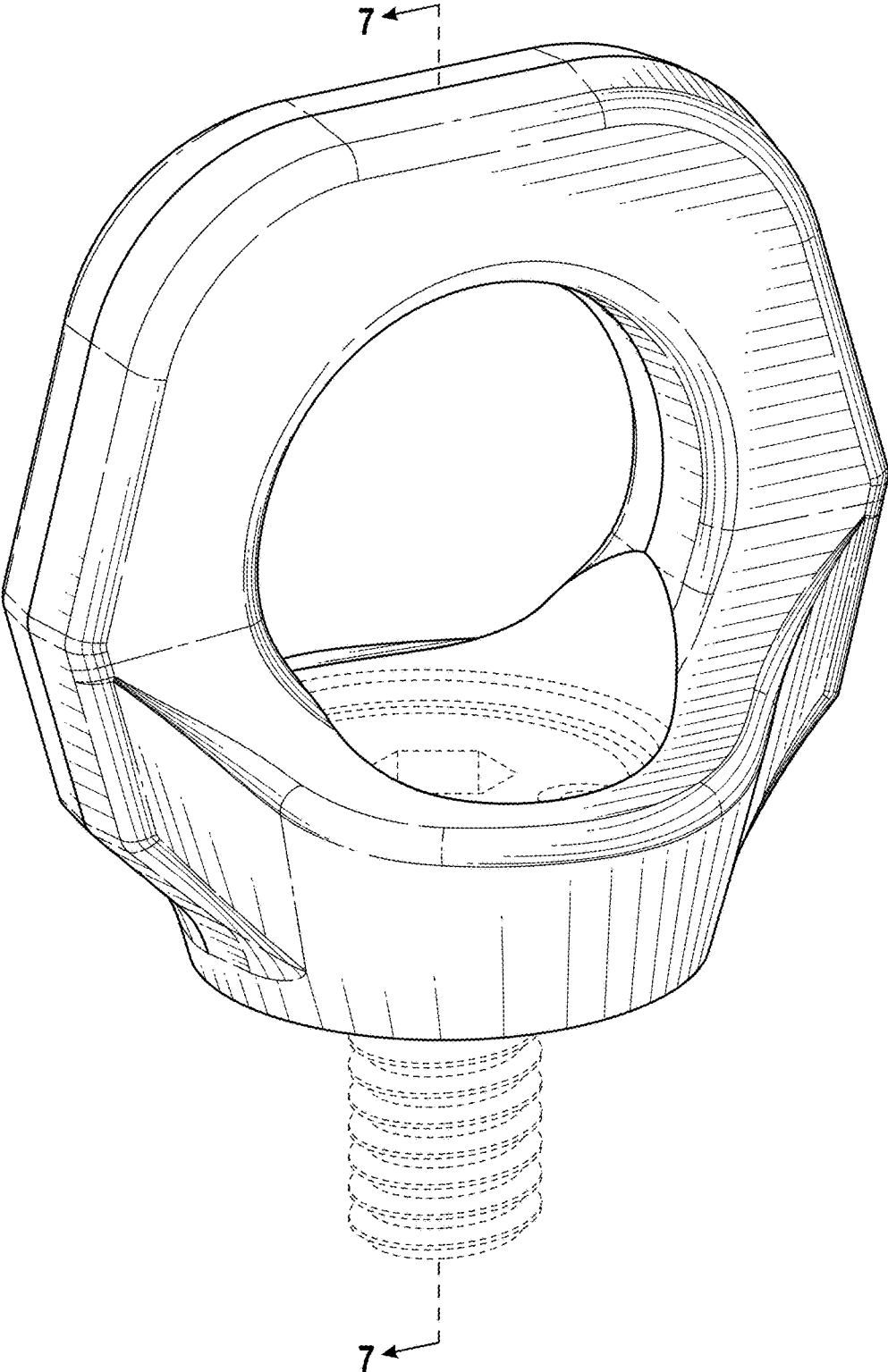


FIG. 6

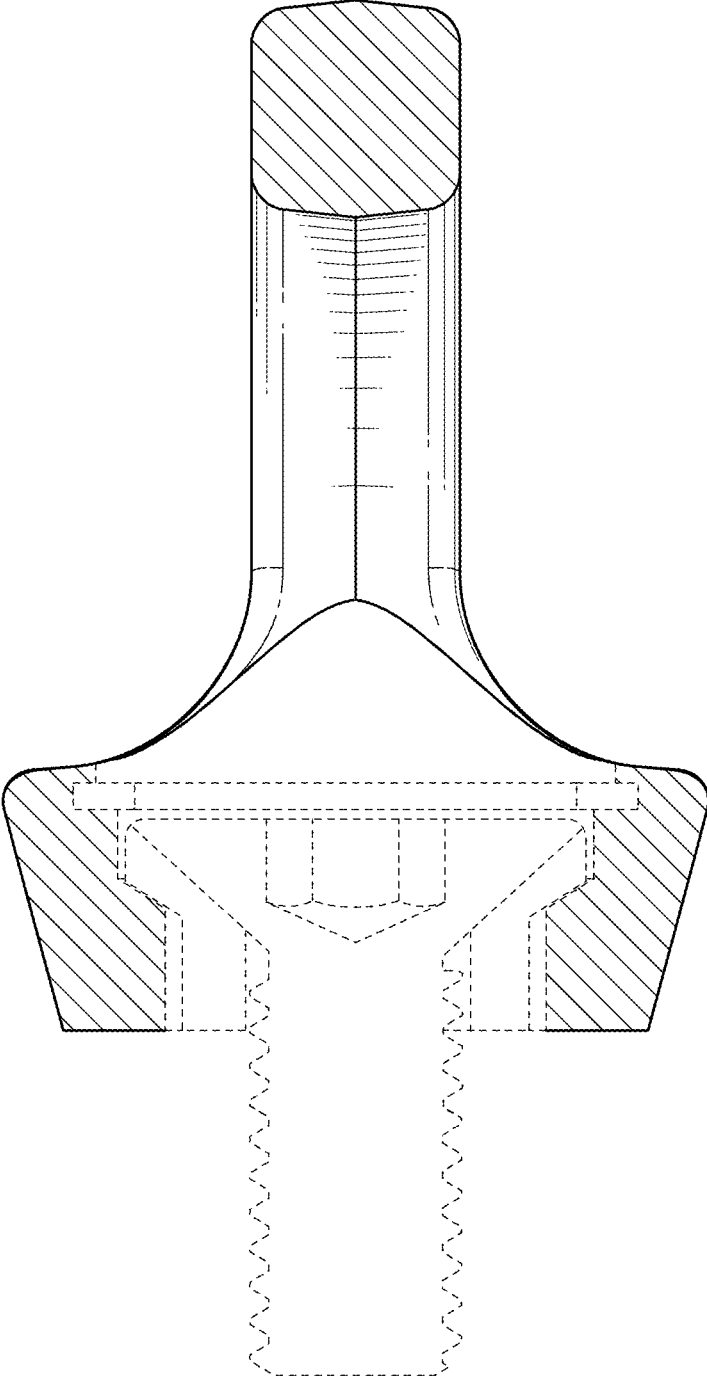


FIG. 7