



US00D598308S

(12) **United States Design Patent**
Gofer

(10) **Patent No.:** **US D598,308 S**

(45) **Date of Patent:** **** Aug. 18, 2009**

(54) **SPIRIT LEVEL DEVICE**

D573,908 S * 7/2008 Levinson D10/69

* cited by examiner

(76) Inventor: **Nitsan Gofer**, Masad 29, Masad (IL)
14990

Primary Examiner—Antoine D Davis

(**) Term: **14 Years**

(57) **CLAIM**

(21) Appl. No.: **29/320,646**

The ornamental design for a spirit level device, as it is shown and described.

(22) Filed: **Jul. 1, 2008**

DESCRIPTION

(51) **LOC (9) Cl.** **10-04**

FIG. 1 is a side view of the spirit level device of the design of the present invention.

(52) **U.S. Cl.** **D10/69**

FIG. 2 is a top view of the spirit level device of the design of the present invention.

(58) **Field of Classification Search** D10/69;
33/365, 366.11–366.27, 367–391

See application file for complete search history.

FIG. 3 is a bottom view of the spirit level device of the design of the present invention.

(56) **References Cited**

FIG. 4 is an isometric view of the spirit level device of the design of the present invention; and,

U.S. PATENT DOCUMENTS

FIG. 5 is a front view of the spirit level device of the design of the present invention.

D459,251 S * 6/2002 Scheyer D10/69

D479,139 S * 9/2003 Kallabis et al. D10/69

6,915,586 B2 * 7/2005 Hickey 33/382

7,228,637 B2 * 6/2007 Kim 33/451

1 Claim, 1 Drawing Sheet

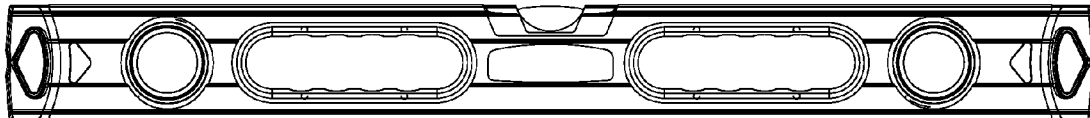




Fig. 1

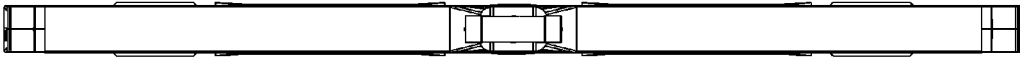


Fig. 2



Fig. 3

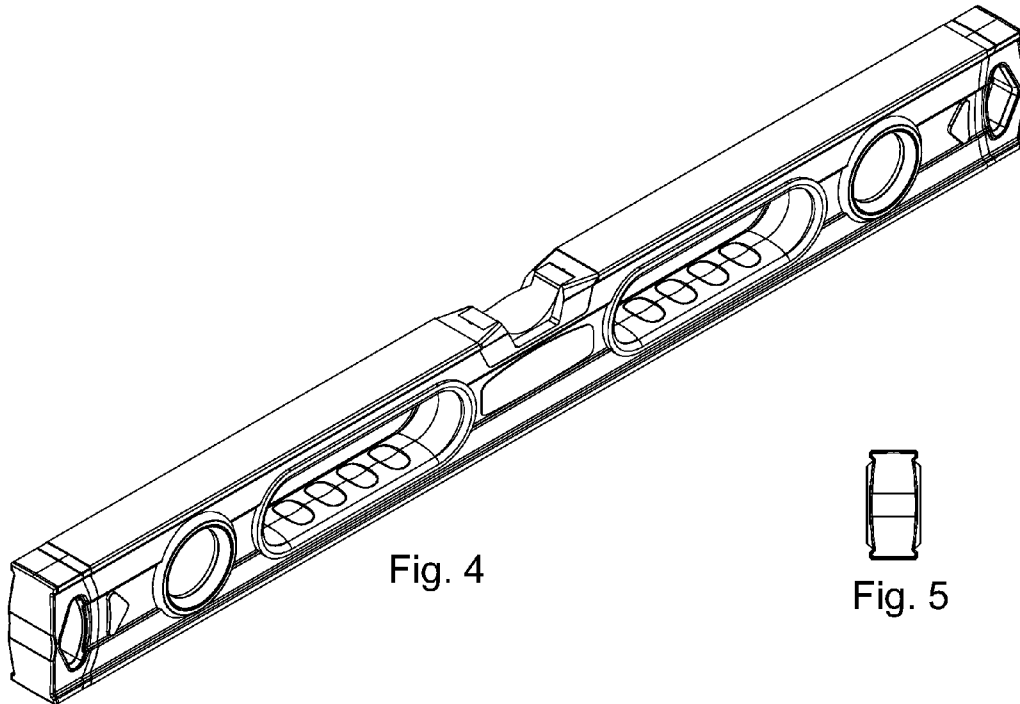


Fig. 4

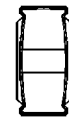


Fig. 5