



US00D773454S

(12) **United States Design Patent** (10) **Patent No.:** **US D773,454 S**
Akana et al. (45) **Date of Patent:** **** Dec. 6, 2016**

(54) **PORTABLE DISPLAY DEVICE WITH CASE**

348/184, 325, 739, 373, 348/376; 385/88;
710/62; 455/575.3, 575.1; D19/60;
361/679.27; 178/18.03; 434/317

(71) Applicant: **Apple Inc.**, Cupertino, CA (US)

See application file for complete search history.

(72) Inventors: **Jody Akana**, San Francisco, CA (US);
Bartley K. Andre, Palo Alto, CA (US);
Jeremy Bataillou, San Francisco, CA
(US); **Daniel J. Coster**, San Francisco,
CA (US); **Daniele De Iuliis**, San
Francisco, CA (US); **M. Evans**
Hankey, San Francisco, CA (US);
Julian Hoenig, San Francisco, CA
(US); **Richard P. Howarth**, San
Francisco, CA (US); **Jonathan P. Ive**,
San Francisco, CA (US); **Duncan**
Robert Kerr, San Francisco, CA (US);
Shin Nishibori, Kailua, HI (US);
Matthew Dean Rohrbach, San
Francisco, CA (US); **Peter**
Russell-Clarke, San Francisco, CA
(US); **Christopher J. Stringer**,
Woodside, CA (US); **Eugene Antony**
Whang, San Francisco, CA (US); **Rico**
Zörkendörfer, San Francisco, CA (US)

(56) **References Cited**

U.S. PATENT DOCUMENTS

2,968,176 A 1/1961 Collings
3,442,371 A 5/1969 Deshong et al.
(Continued)

FOREIGN PATENT DOCUMENTS

AU 338106 S 8/2011
EM 001266266-0001 3/2011
(Continued)

OTHER PUBLICATIONS

Incase, "Introducing the Convertible Magazine Jacket for iPad,"
goincase.com, accessed at <http://goincase.com/blog/2010/11/23/introducing-the-convertible-magazine-jacket-for-ipad/>, posted Nov.
23, 2010, 7 pages.

(Continued)

Primary Examiner — Barbara Fox

(74) *Attorney, Agent, or Firm* — Sterne, Kessler,
Goldstein & Fox P.L.L.C.

(73) Assignee: **Apple Inc.**, Cupertino, CA (US)

(**) Term: **14 Years**

(21) Appl. No.: **29/500,365**

(22) Filed: **Aug. 25, 2014**

Related U.S. Application Data

(63) Continuation of application No. 29/415,927, filed on
Mar. 15, 2012, now Pat. No. Des. 713,402, which is
(Continued)

(51) **LOC (10) Cl.** **14-02**

(52) **U.S. Cl.**

USPC **D14/341**; D14/345

(58) **Field of Classification Search**

USPC D14/341-347, 336, 337, 371, 374, 138,
D14/496, 440; D10/65; 345/901, 104,
345/133, 156, 345/168, 173; 348/180,

(57) **CLAIM**

The ornamental design for a portable display device with
case, as shown and described.

DESCRIPTION

FIG. 1 is a top front perspective view of a portable display
device and case, showing the case in an open position,
showing our new design;

FIG. 2 is a bottom rear perspective view thereof;

FIG. 3 is a front view thereof;

FIG. 4 is a rear view thereof;

FIG. 5 is a bottom view thereof;

(Continued)

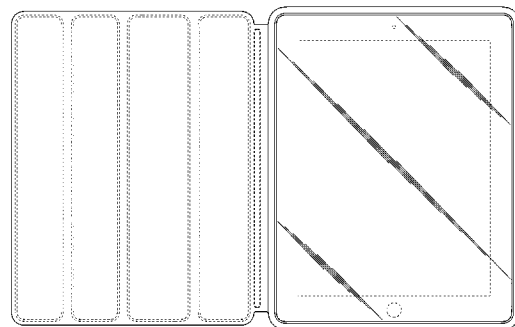
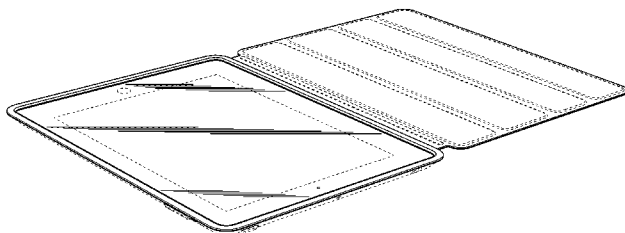


FIG. 6 is a top view thereof;
 FIG. 7 is an enlarged left side view thereof;
 FIG. 8 is an enlarged right side view thereof;
 FIG. 9 is a front view thereof showing the case in a closed position;
 FIG. 10 is an enlarged bottom view in two parts; and,
 FIG. 11 is an enlarged top view in two parts.
 The broken lines in the Figures show portions of the portable display device and case and form no part of the claimed design. The dot-dot-dash lines in FIGS. 10 and 11 show the location at which the two parts of each figure are divided for ease of illustration, and form no part of the claimed design. The shade lines in the Figures show contour or transparency and not surface ornamentation.

1 Claim, 8 Drawing Sheets

Related U.S. Application Data

a continuation-in-part of application No. 29/415,035, filed on Mar. 6, 2012, now abandoned, and a continuation of application No. 29/415,062, filed on Mar. 7, 2012, now Pat. No. Des. 688,251, which is a continuation of application No. 29/415,035, filed on Mar. 6, 2012, now abandoned.

(56)

References Cited

U.S. PATENT DOCUMENTS

4,259,568	A	3/1981	Dynesen
4,718,550	A	1/1988	Johnson
D321,855	S	11/1991	Ross, Jr.
5,066,158	A	11/1991	Huang
5,092,354	A	3/1992	Pacelli, Jr.
D331,191	S	11/1992	Ventola et al.
D356,120	S	3/1995	Allen
D364,191	S	11/1995	Allen
D409,667	S	5/1999	Riley et al.
D454,110	S	3/2002	Andre et al.
D467,429	S	12/2002	Bone et al.
6,763,942	B1	7/2004	Yeh
D504,889	S	5/2005	Andre et al.
D512,100	S	11/2005	Howes et al.
D538,096	S	3/2007	Bartell et al.
D556,681	S	12/2007	Kim
D568,605	S	5/2008	Harris et al.
D574,819	S	8/2008	Andre et al.
D582,405	S	12/2008	Andre et al.
D583,479	S	12/2008	Yim
D584,141	S	1/2009	Smith et al.
D599,761	S	9/2009	Birsel et al.
D600,455	S	9/2009	Nell
D603,398	S	11/2009	Watson et al.
D606,751	S	12/2009	Andre et al.
D619,361	S	7/2010	Andre et al.
D622,716	S	8/2010	Andre et al.
D627,777	S	11/2010	Akana et al.
D633,388	S	3/2011	Andre et al.
D637,814	S	5/2011	Akana et al.
D639,296	S	6/2011	Tseng et al.
D656,495	S	3/2012	Andre et al.
D658,186	S	4/2012	Akana et al.
D658,187	S	4/2012	Diebel
D658,188	S	4/2012	Diebel
D662,100	S	6/2012	Van Den Nieuwenhuizen et al.
D662,503	S	6/2012	Akana et al.
8,245,843	B1	8/2012	Wu
D670,692	S	11/2012	Akana et al.
D671,114	S	11/2012	Akana et al.
8,312,991	B2	11/2012	Diebel et al.
D672,353	S	12/2012	Liu

D672,781	S	12/2012	Lu
D674,800	S	1/2013	Kim
D676,449	S	2/2013	Probst et al.
D677,668	S	3/2013	Phillips et al.
D678,260	S	3/2013	Bau
D678,291	S	3/2013	Phillips et al.
D678,292	S	3/2013	Phillips et al.
D679,279	S	4/2013	Yang et al.
D681,033	S	4/2013	Chen et al.
D682,279	S	5/2013	Fuchs
D682,837	S	5/2013	Lee et al.
D682,839	S	5/2013	Sampson et al.
D685,799	S	7/2013	Canizares et al.
D685,800	S	7/2013	Canizares et al.
D685,801	S	7/2013	Canizares et al.
D685,802	S	7/2013	Canizares et al.
D696,253	S *	12/2013	Akana D14/345
D696,669	S *	12/2013	Akana D14/440
D704,702	S *	5/2014	Akana D14/341
D711,887	S *	8/2014	Akana D14/440
8,797,132	B2 *	8/2014	Childs A45C 11/00 206/320
D712,393	S *	9/2014	Kim D14/250
D713,402	S *	9/2014	Akana D14/341
D720,355	S *	12/2014	Akana D14/440
8,949,477	B2 *	2/2015	Drasnin G06F 9/4415 710/8
D727,916	S *	4/2015	Melmon D14/440
D729,232	S *	5/2015	Wu D14/341
D735,205	S *	7/2015	Akana D14/440
9,086,844	B2 *	7/2015	Blue G06F 1/1626
9,174,764	B2 *	11/2015	Kang
D744,491	S *	12/2015	Lee D14/440
D745,011	S *	12/2015	Akana D14/440
D745,869	S *	12/2015	Ahn D14/345
D754,654	S *	4/2016	Akana D14/341
9,307,062	B2 *	4/2016	Kim H04M 1/04
D756,341	S *	5/2016	Kim D14/250
D761,777	S *	7/2016	Lee D14/250
2003/0150756	A1	8/2003	Kajiya
2009/0107858	A1	4/2009	Huang
2009/0159763	A1	6/2009	Kim
2009/0194209	A1	8/2009	De Filippis et al.
2010/0289390	A1	11/2010	Kenney
2010/0300909	A1	12/2010	Hung
2011/0164365	A1	7/2011	McClure et al.
2011/0267757	A1	11/2011	Probst et al.
2012/0140396	A1	6/2012	Zeliff et al.
2012/0194448	A1	8/2012	Rothkopf
2012/0211613	A1	8/2012	Yang et al.

FOREIGN PATENT DOCUMENTS

EM	001266282-0001	3/2011
EM	001266290-0001	3/2011
GB	4020173	6/2011
GB	4020173 S	6/2011

OTHER PUBLICATIONS

Case—Parts, “Original Targus Folding Genuine Leather Case for Apple iPad with Built-in Holder,” <http://www.case-parts.com/details/Original-Targus-Folding-Genuine-Leather-Case-for-Apple-iPad-with-Built-in-Holder-IPAD-570/photos.htm>, 3 pages.
 “Review: AViiQ Smart Case for iPad 2”, which was published on YouTube at <http://www.youtube.com/watch?v=DaHjzeVWEuA>, May 24, 2011, 3 pages.
 “AViiQ Smart Case for iPad 2 compliments Apple’s Smart Cover (Review)”, which was published on YouTube at <http://www.youtube.com/watch?v=wMoZM-ZSn4g>, Aug. 31, 2011, 2 pages.
 Youtube.com, “iPad 2—Best Protective Case—Smart Cover + Smart Cover Back by Simplism”, (<http://www.youtube.com/watch?v=SRHhU98NAd0&feature=endscreen&NR=1>), May 15, 2011.

* cited by examiner

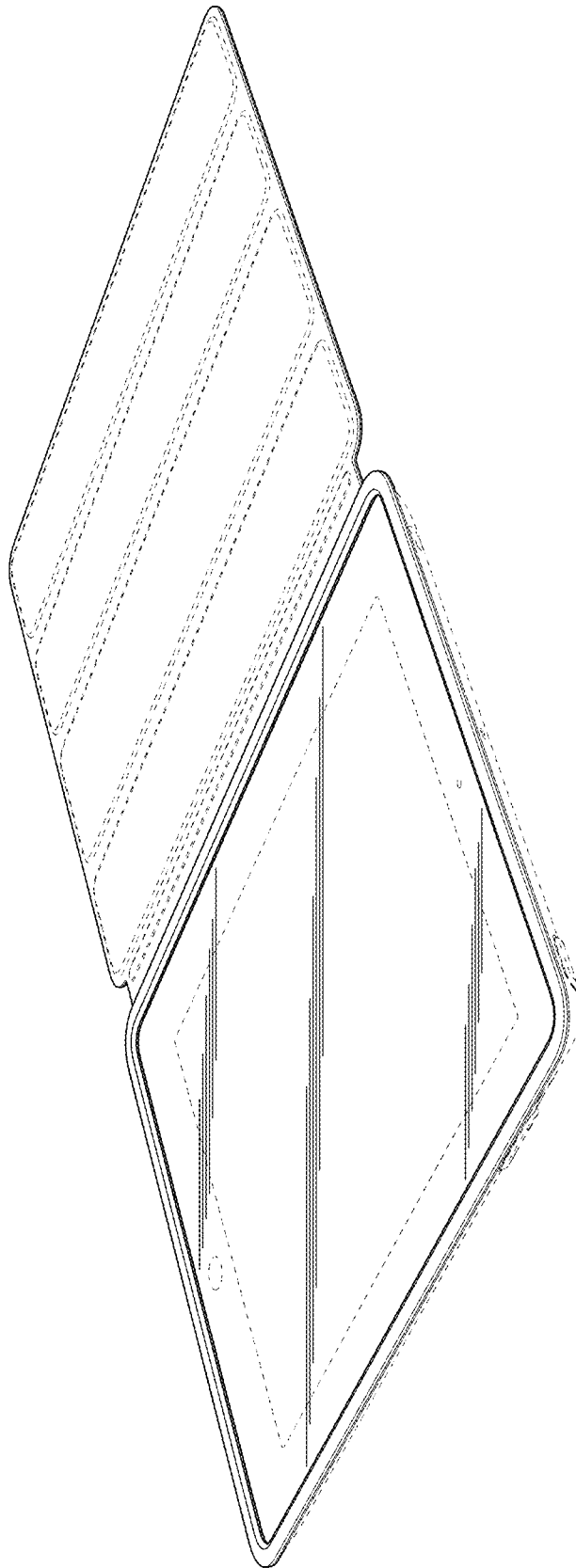


FIG. 1

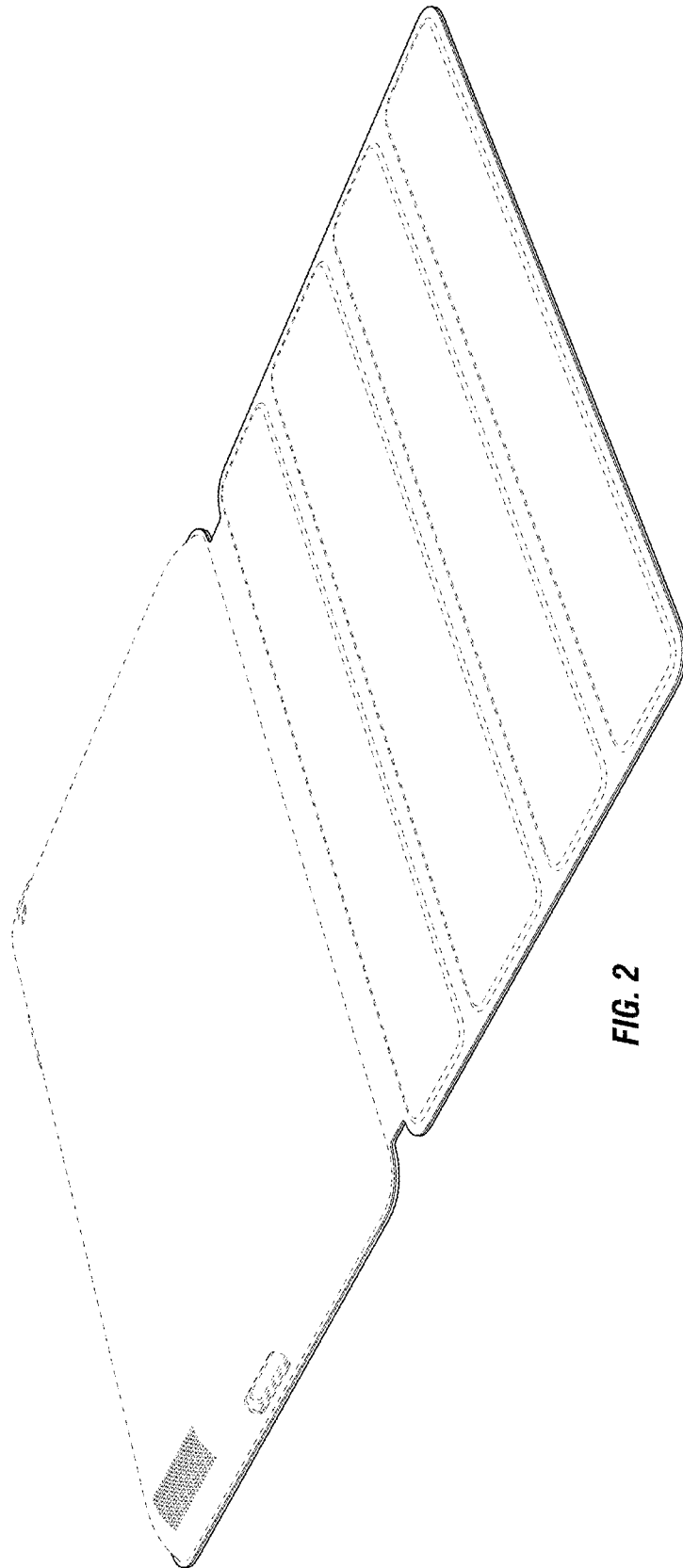


FIG. 2

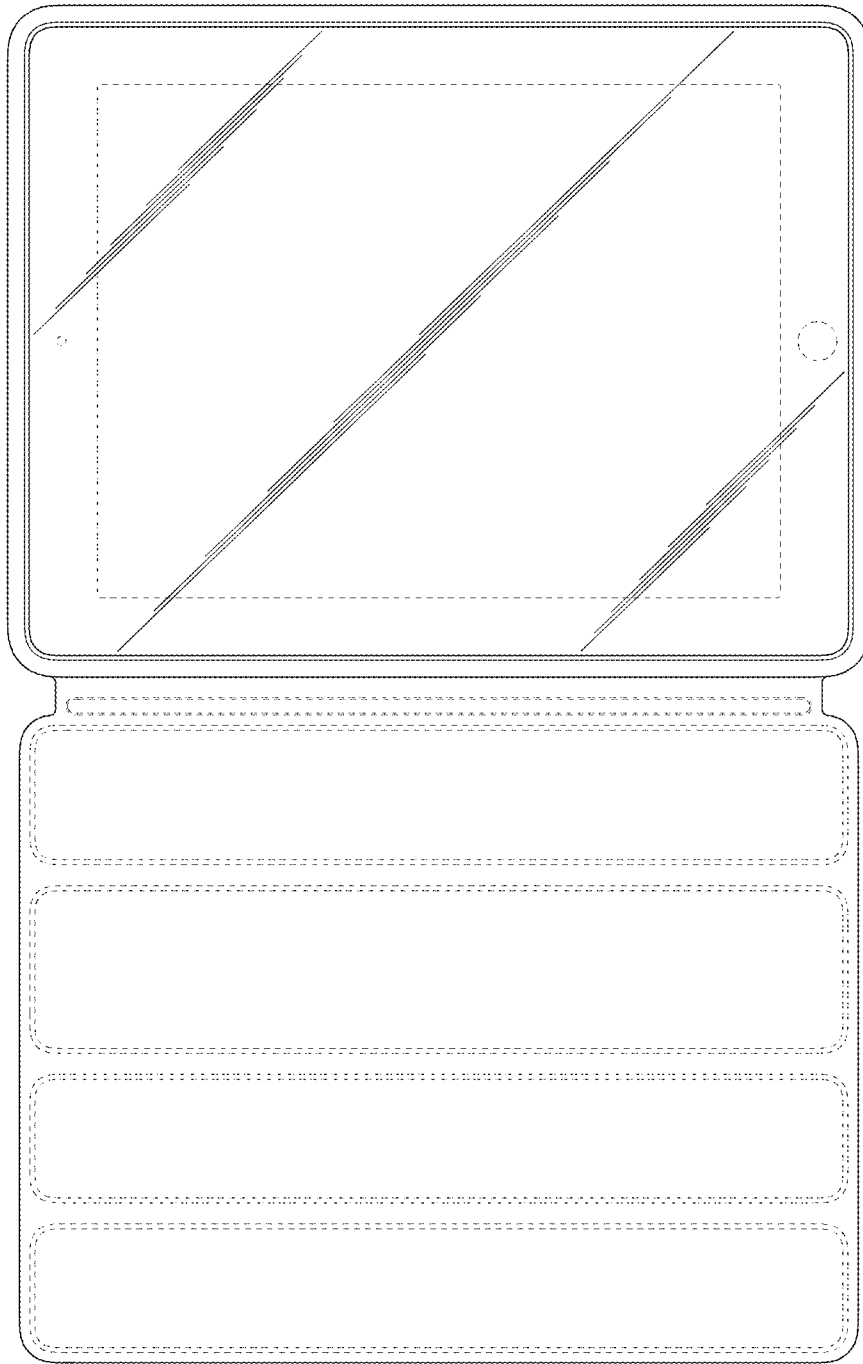


FIG. 3

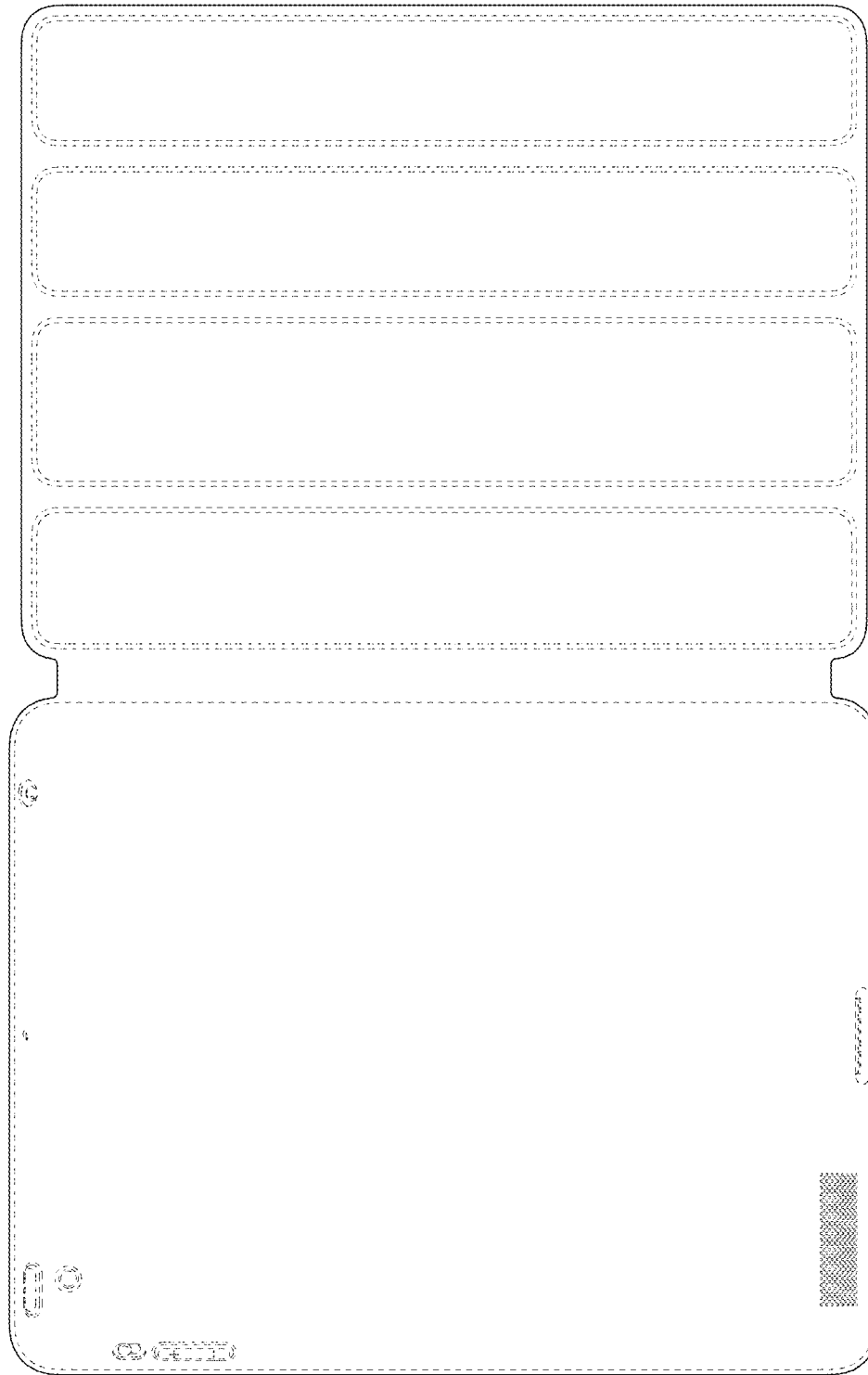


FIG. 4

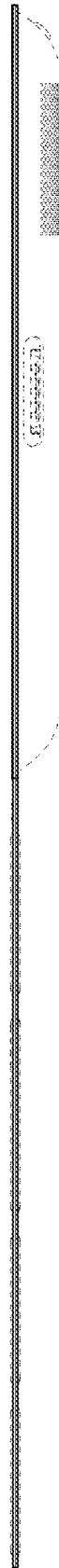


FIG. 5

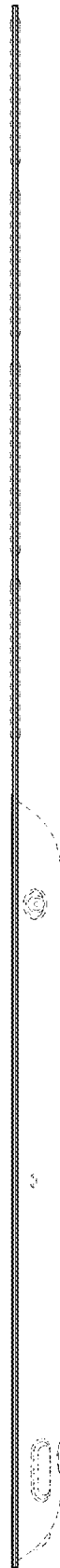


FIG. 6



FIG. 7



FIG. 8



FIG. 9

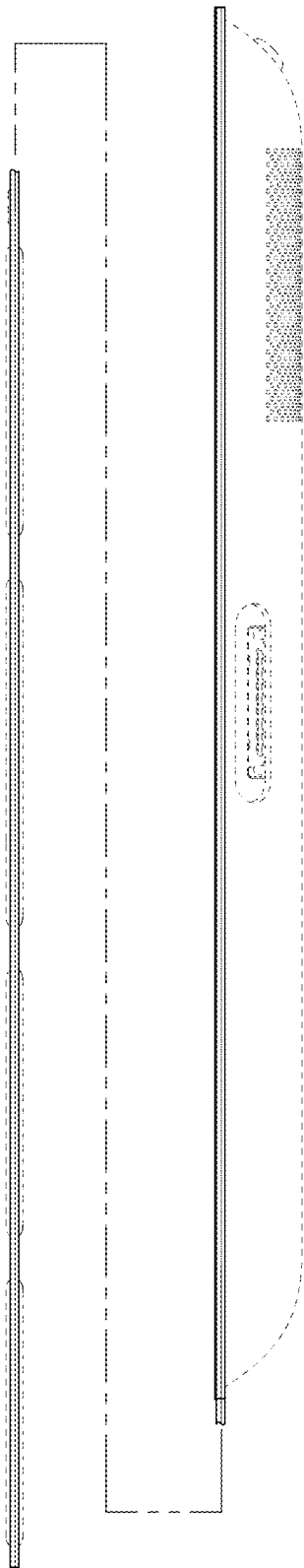


FIG. 10

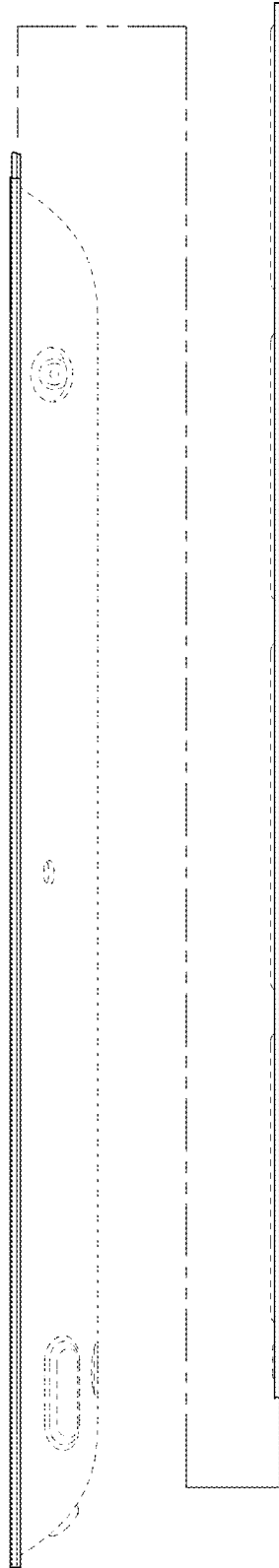


FIG. 11