

(19) World Intellectual Property  
Organization  
International Bureau



(43) International Publication Date  
15 January 2004 (15.01.2004)

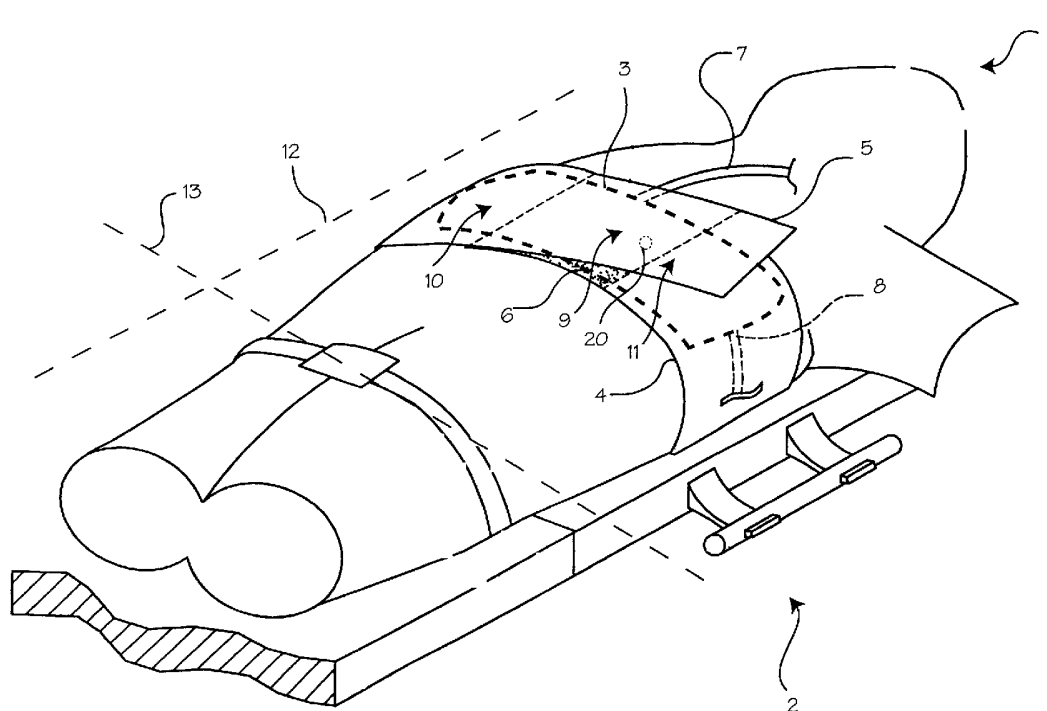
PCT

(10) International Publication Number  
**WO 2004/004548 A3**

- (51) International Patent Classification<sup>7</sup>: **A61H 31/00**
- (21) International Application Number:  
PCT/US2003/021419
- (22) International Filing Date: 9 July 2003 (09.07.2003)
- (25) Filing Language: English
- (26) Publication Language: English
- (30) Priority Data:  
10/192,771 10 July 2002 (10.07.2002) US
- (71) Applicant: **REVIVANT CORPORATION** [US/US]; 775 Palomar Avenue, Sunnyvale, CA 94085 (US).
- (72) Inventors: **HALL, Gregory, W.**; Revivant Corporation, 775 Palomar Avenue, Sunnyvale, CA 94085 (US). **JENSEN, James, O.**; Revivant Corporation, 775 Palomar Avenue, Sunnyvale, CA 94085 (US). **ESCUADERO, Paul**; Revivant Corporation, 775 Palomar Avenue, Sunnyvale, CA 94085 (US). **SHERMAN, Darren, R.**; Revivant Corporation, 775 Palomar Avenue, Sunnyvale, CA 94085 (US). **KATZ, Bob**; Revivant Corporation, 775 Palomar Avenue, Sunnyvale, CA 94085 (US).
- (74) Agent: **CROCKETT, K., David**; Crockett & Crockett, Suite 400, 24012 Calle De La Plata, Laguna Hills, CA 92653 (US).
- (81) Designated States (*national*): AE, AG, AL, AM, AT, AU, AZ, BA, BB, BG, BR, BY, BZ, CA, CH, CN, CO, CR, CU, CZ, DE, DK, DM, DZ, EC, EE, ES, FI, GB, GD, GE, GH, GM, HR, HU, ID, IL, IN, IS, JP, KE, KG, KP, KR, KZ, LC, LK, LR, LS, LT, LU, LV, MA, MD, MG, MK, MN, MW, MX, MZ, NI, NO, NZ, OM, PG, PH, PL, PT, RO, RU, SC, SD, SE, SG, SK, SL, SY, TJ, TM, TN, TR, TT, TZ, UA, UG, UZ, VC, VN, YU, ZA, ZM, ZW.
- (84) Designated States (*regional*): ARIPO patent (GH, GM, KE, LS, MW, MZ, SD, SL, SZ, TZ, UG, ZM, ZW), Eurasian patent (AM, AZ, BY, KG, KZ, MD, RU, TJ, TM), European patent (AT, BE, BG, CH, CY, CZ, DE, DK, EE, ES, FI, FR, GB, GR, HU, IE, IT, LU, MC, NL, PT, RO, SE, SI, SK, TR), OAPI patent (BF, BJ, CF, CG, CI, CM, GA, GN, GQ, GW, ML, MR, NE, SN, TD, TG).
- Published:**  
— with international search report

[Continued on next page]

(54) Title: CPR COMPRESSION DEVICE AND METHOD



(57) Abstract: Improved automatic chest compression systems which use constricting belts (4), repeatedly inflating bladders (3), or reciprocating pistons (82) to compress the chest. A bladder (3) is placed between the chest and the particular mechanism (4, 82) used to compress the chest during CPR. The bladder (3) maximizes the effectiveness of chest compressions.

WO 2004/004548 A3



— *before the expiration of the time limit for amending the claims and to be republished in the event of receipt of amendments*

*For two-letter codes and other abbreviations, refer to the "Guidance Notes on Codes and Abbreviations" appearing at the beginning of each regular issue of the PCT Gazette.*

**(88) Date of publication of the international search report:**

13 May 2004

**INTERNATIONAL SEARCH REPORT**

International application No.

PCT/US03/21419

**A. CLASSIFICATION OF SUBJECT MATTER**

IPC(7) : A61H 31/00  
 US CL : 601/44

According to International Patent Classification (IPC) or to both national classification and IPC

**B. FIELDS SEARCHED**

Minimum documentation searched (classification system followed by classification symbols)  
 U.S. : 601/41-44, 148-152

Documentation searched other than minimum documentation to the extent that such documents are included in the fields searched

Electronic data base consulted during the international search (name of data base and, where practicable, search terms used)

**C. DOCUMENTS CONSIDERED TO BE RELEVANT**

Category *	Citation of document, with indication, where appropriate, of the relevant passages	Relevant to claim No.
Y	US 2,486,667 A (MEISTER) 01 NOVEMBER 1949 (01.11.1949) see entire document	33,35,36,38-43
Y	US 5,577,998 A (JOHNSON, JR. ET AL) 26 NOVEMBER 1996 (26.11.1996), see entire document	33, 35, 36, 38-43
A	US 5,743,864 A (BALDWIN, II) 28 APRIL 1998 (28.04.1998) see entire document	
A	US 3,503,388 A (COOK) 31 MARCH 1970, (31.03.1970) see entire document	
A	CA 1225,889 A (CHANG) 25 AUGUST 1987 (25.08.1987) see entire document	

Further documents are listed in the continuation of Box C.

See patent family annex.

* Special categories of cited documents:	
"A" document defining the general state of the art which is not considered to be of particular relevance	"T" later document published after the international filing date or priority date and not in conflict with the application but cited to understand the principle or theory underlying the invention
"E" earlier application or patent published on or after the international filing date	"X" document of particular relevance; the claimed invention cannot be considered novel or cannot be considered to involve an inventive step when the document is taken alone
"L" document which may throw doubts on priority claim(s) or which is cited to establish the publication date of another citation or other special reason (as specified)	"Y" document of particular relevance; the claimed invention cannot be considered to involve an inventive step when the document is combined with one or more other such documents, such combination being obvious to a person skilled in the art
"O" document referring to an oral disclosure, use, exhibition or other means	"&" document member of the same patent family
"P" document published prior to the international filing date but later than the priority date claimed	

Date of the actual completion of the international search

09 December 2003 (09.12.2003)

Date of mailing of the international search report

05 APR 2004

Name and mailing address of the ISA/US

Mail Stop PCT, Attn: ISA/US  
 Commissioner for Patents  
 P.O. Box 1450  
 Alexandria, Virginia 22313-1450

Facsimile No. (703) 305-3230

Authorized officer

Danton DeMille

Telephone No. (703) 308-0873