



US00D877068S

(12) **United States Design Patent**  
**Wang**

(10) **Patent No.:** **US D877,068 S**

(45) **Date of Patent:** **\*\* Mar. 3, 2020**

(54) **CHARGER**

(71) Applicant: **Shenzhen Aukey E-Business Co., Ltd,**  
Shenzhen (CN)

(72) Inventor: **Yang Wang,** Shenzhen (CN)

(\*\*) Term: **15 Years**

(21) Appl. No.: **29/645,243**

(22) Filed: **Apr. 24, 2018**

(51) **LOC (12) Cl.** ..... **13-02**

(52) **U.S. Cl.**  
USPC ..... **D13/108**

(58) **Field of Classification Search**  
USPC ..... D13/107-110, 118-119, 184; D14/251,  
D14/253, 432, 434  
CPC ..... Y02E 60/12; Y02T 90/14; Y02T 90/122;  
Y02T 90/128; Y02T 90/163; H02J 7/025;  
H02J 7/0042; H02J 7/0044; H02J 7/0045;  
H02J 7/0003; H01F 38/14; H01R  
13/6675; H01M 2/1022; H01M 2/1055;  
H01M 10/44; H01M 10/46; H01M  
10/425; B60L 11/182  
See application file for complete search history.

(56) **References Cited**

**U.S. PATENT DOCUMENTS**

D636,724 S *	4/2011	Nomi	.....	D13/108
D637,951 S *	5/2011	Perez	.....	D13/108
D656,097 S *	3/2012	Nomi	.....	D13/108
D705,160 S *	5/2014	Ormesher	.....	D13/108
D722,962 S *	2/2015	Kim	.....	D13/108

D723,459 S *	3/2015	Dang	.....	D13/108
D727,259 S *	4/2015	Hwang	.....	D13/108
D754,599 S *	4/2016	Yang	.....	D13/108
D782,976 S *	4/2017	Zhang	.....	D13/108
D782,977 S *	4/2017	Zhang	.....	D13/108
D786,791 S *	5/2017	Jeong	.....	D13/108
D788,700 S *	6/2017	Yang	.....	D13/108
D812,556 S *	3/2018	Xu	.....	D13/103
D817,270 S *	5/2018	Kim	.....	D13/108
D845,897 S *	4/2019	Kim	.....	D13/108
D850,371 S *	6/2019	Yun	.....	D13/108
D852,738 S *	7/2019	Backett	.....	D13/108

\* cited by examiner

*Primary Examiner* — Rosemary K Tarcza

(74) *Attorney, Agent, or Firm* — ZANIP

(57) **CLAIM**

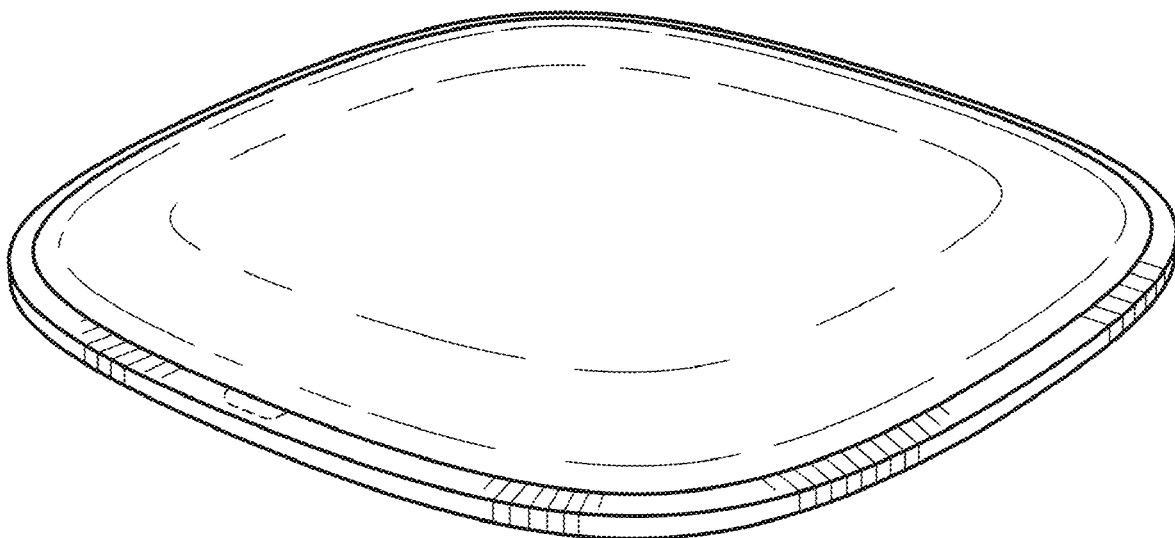
The ornamental design for a charger, as shown and described.

**DESCRIPTION**

FIG. 1 is a perspective view of a charger, showing my new design;  
FIG. 2 is a front view thereof;  
FIG. 3 is a back view thereof;  
FIG. 4 is a left side view thereof;  
FIG. 5 is a right side view thereof;  
FIG. 6 is a top plan view thereof; and,  
FIG. 7 is a bottom plan view thereof.

The broken lines shown in the drawings depict portions of the charger that form no part of the claimed design.

**1 Claim, 7 Drawing Sheets**



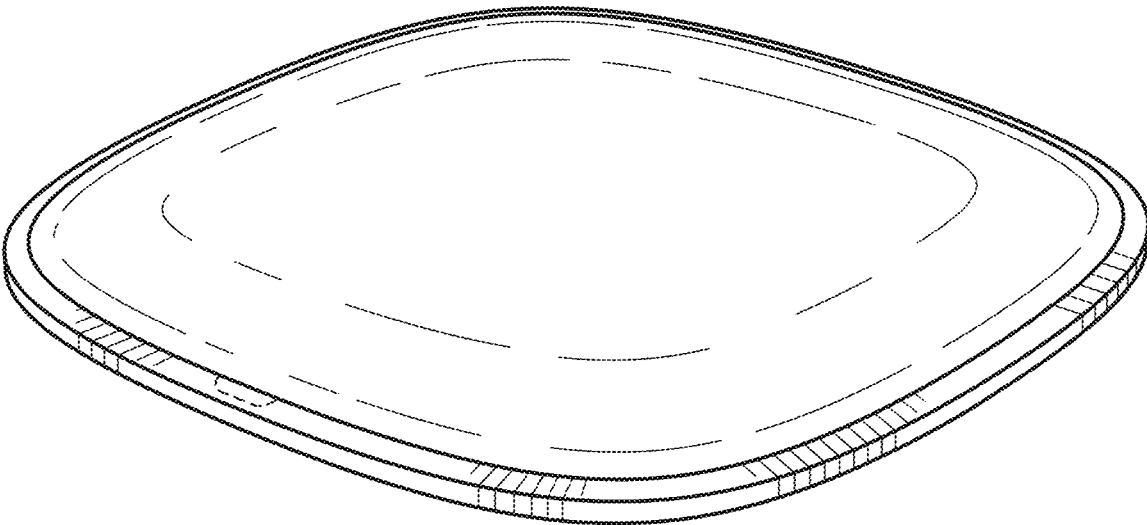


FIG.1

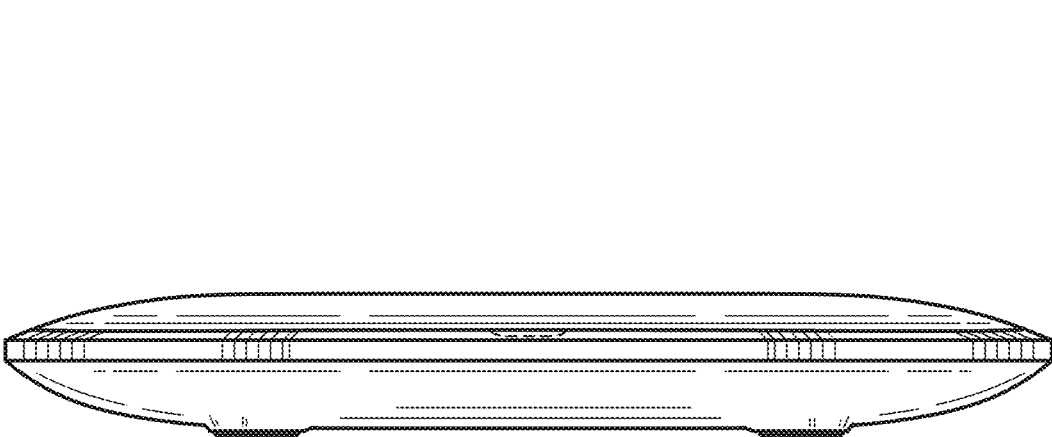


FIG.2

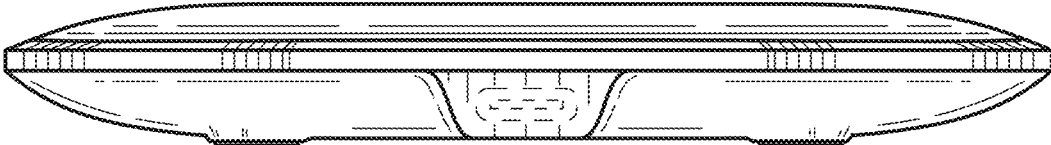


FIG.3

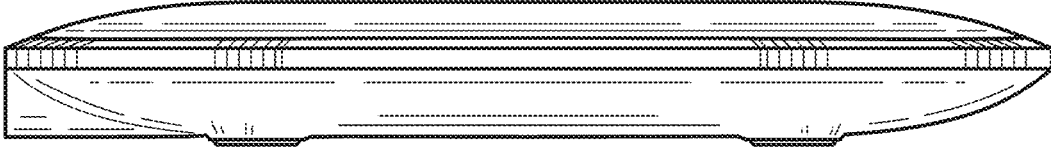


FIG.4

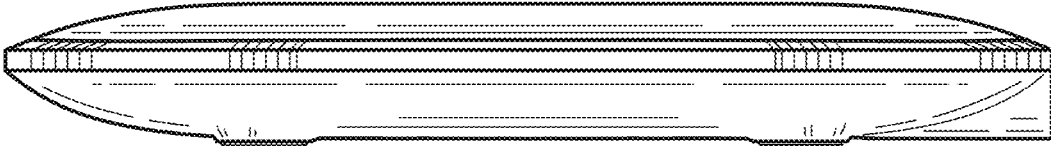


FIG.5

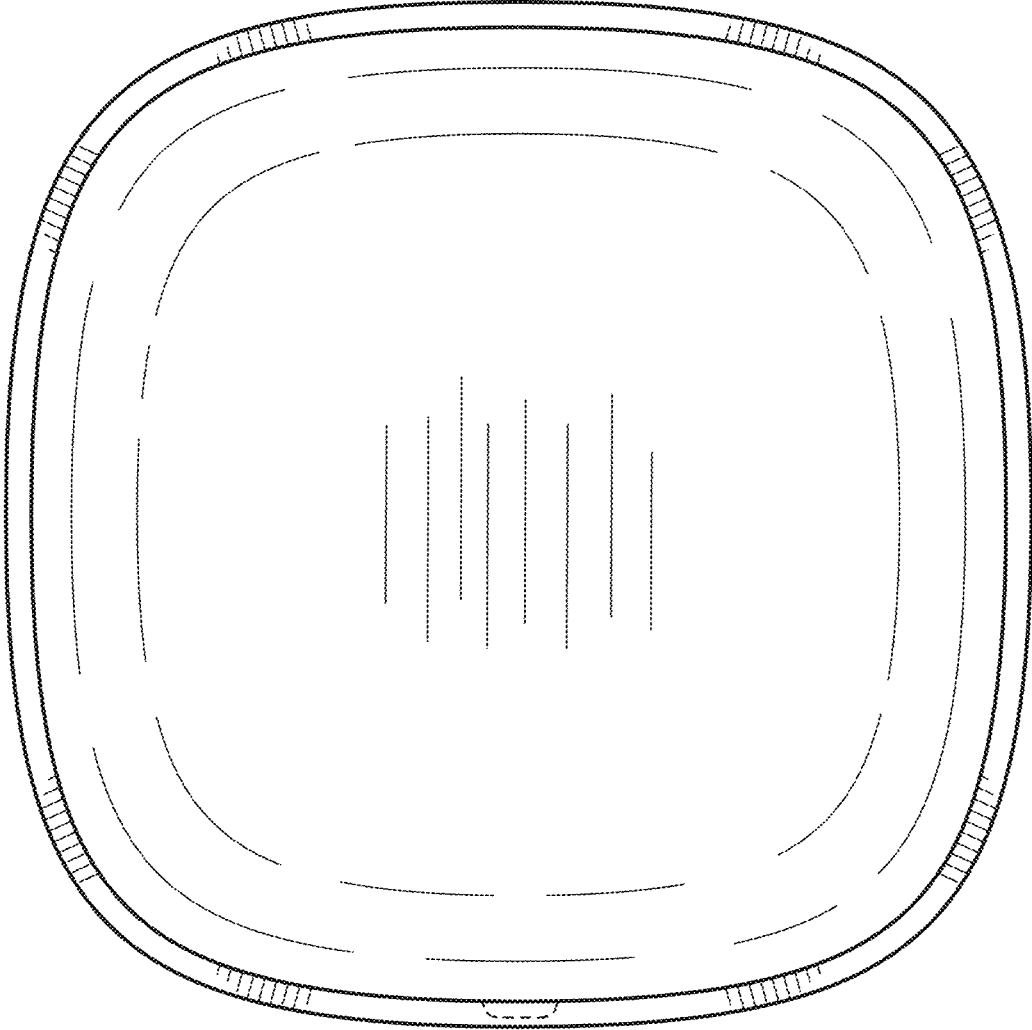


FIG.6

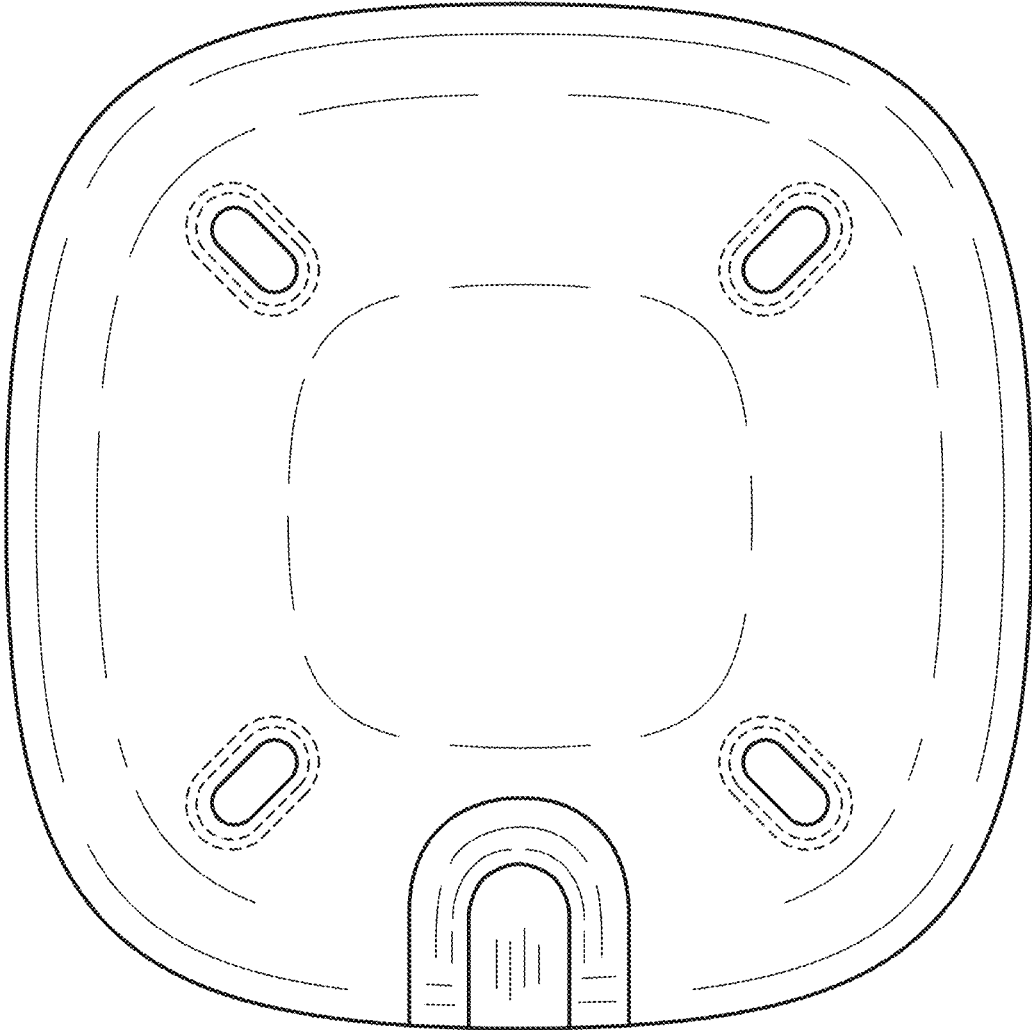


FIG.7