



US00D922785S

(12) **United States Design Patent** (10) **Patent No.:** **US D922,785 S**
Vafi et al. (45) **Date of Patent:** **** Jun. 22, 2021**

(54) **WEARABLE SEAT** D275,155 S * 8/1984 Carlin D6/353
4,469,372 A * 9/1984 Long A47C 9/002
248/188.7
(71) Applicant: **Noonee AG**, Zurich (CH) 4,641,882 A * 2/1987 Young A47C 9/025
297/183.1
(72) Inventors: **Daniel Vafi**, Zurich (CH); **Marc Sapetti**, Mettmenstetten (CH) D299,189 S * 1/1989 Large A47C 9/025
D6/335
4,930,839 A * 6/1990 Saito A45B 5/00
248/155.3
(73) Assignee: **Noonee**, Zurich (CH) 5,927,797 A * 7/1999 Ferguson A47C 7/029
297/4
(**) Term: **15 Years** 2018/0317662 A1* 11/2018 Gunura A61F 5/0125
2020/0008583 A1* 1/2020 Gunura A47C 9/10
(21) Appl. No.: **35/508,400** 2020/0155390 A1* 5/2020 Bae A47C 9/025
2020/0315357 A1* 10/2020 Lim A61G 5/14
(22) Filed: **Mar. 29, 2019** 2020/0315358 A1* 10/2020 Lim A47C 9/10

(80) **Hague Agreement Data**
Int. Filing Date: **Mar. 29, 2019**
Int. Reg. No.: **DM/205303**
Int. Reg. Date: **Mar. 29, 2019**
Int. Reg. Pub. Date: **Jan. 24, 2020**

(51) **LOC (13) Cl.** **06-01**
(52) **U.S. Cl.**
USPC **D6/353; D6/355**
(58) **Field of Classification Search**
USPC D6/334, 349, 353-355, 360, 362, 364,
D6/365
CPC A47C 3/00; A47C 4/00; A47C 5/00; A47C
7/00; A47C 7/002; A47C 7/02; A47C
7/029; A47C 9/00; A47C 9/002; A47C
9/025; A47C 9/10; A47B 5/00; A61G
5/14
See application file for complete search history.

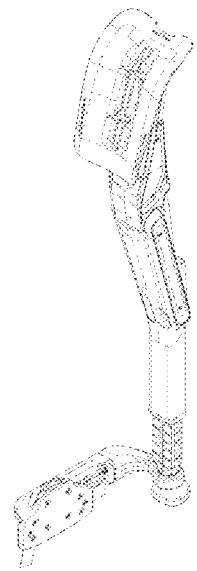
(56) **References Cited**
U.S. PATENT DOCUMENTS
671,638 A * 4/1901 Slagle A47C 9/10
297/4
4,138,156 A * 2/1979 Bonner A47C 9/10
297/4

* cited by examiner
Primary Examiner — Mary Ann Calabrese
(74) *Attorney, Agent, or Firm* — Posz Law Group, PLC
(57) **CLAIM**
The ornamental design for a wearable seat, as shown and described.

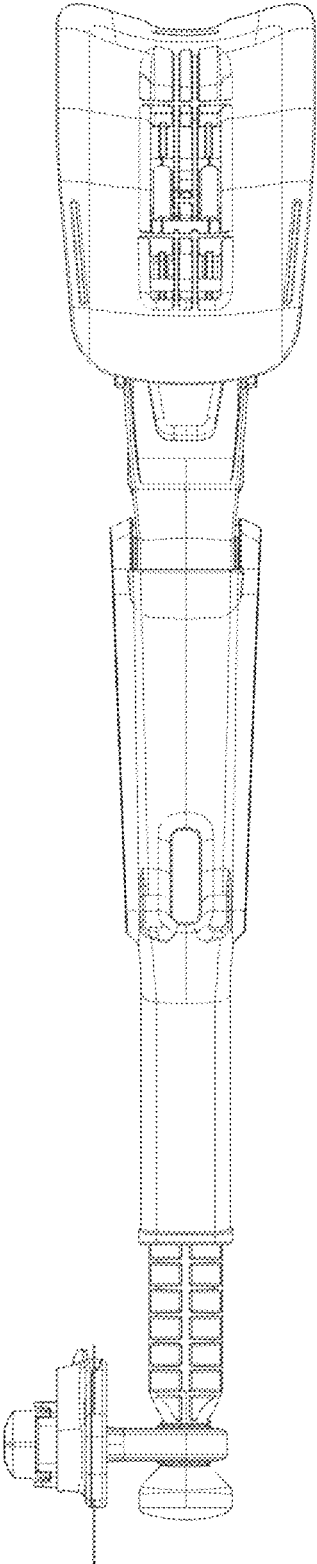
DESCRIPTION

1. Wearable seat
1.1 : is a front view in an extended position of use.
1.2 : is a rear view in an extended position of use.
1.3 : is a left side view in an extended position of use.
1.4 : is a right side view in an extended position of use.
1.5 : is a left side view in a contracted position of use.
1.6 : is a right side view in a contracted position of use.
1.7 : is a top view in a contracted position of use.
1.8 : is a bottom view in a contracted position of use.
1.9 is a front perspective view in an extended position of use.
1.10 is a rear perspective view in a contracted position of use.
The wearable seat can be worn on each leg allowing the user to switch between sitting, standing and walking positions.

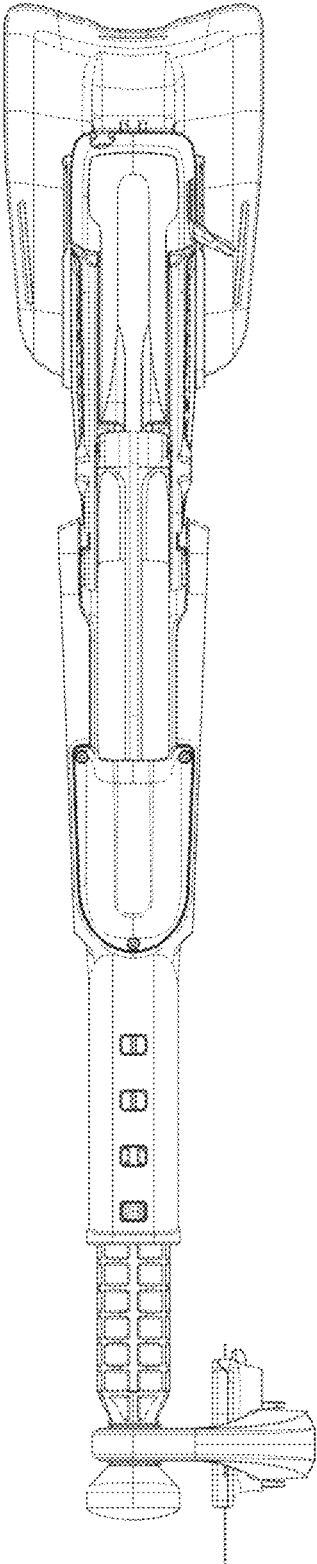
1 Claim, 10 Drawing Sheets



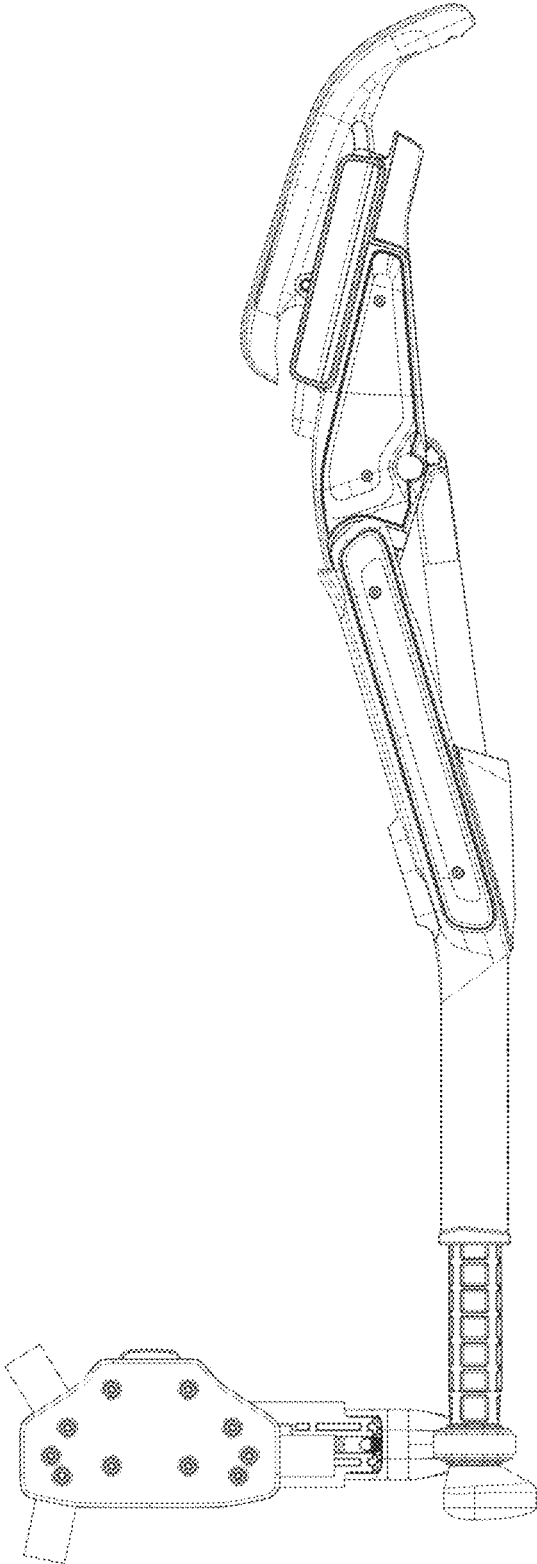
1.1



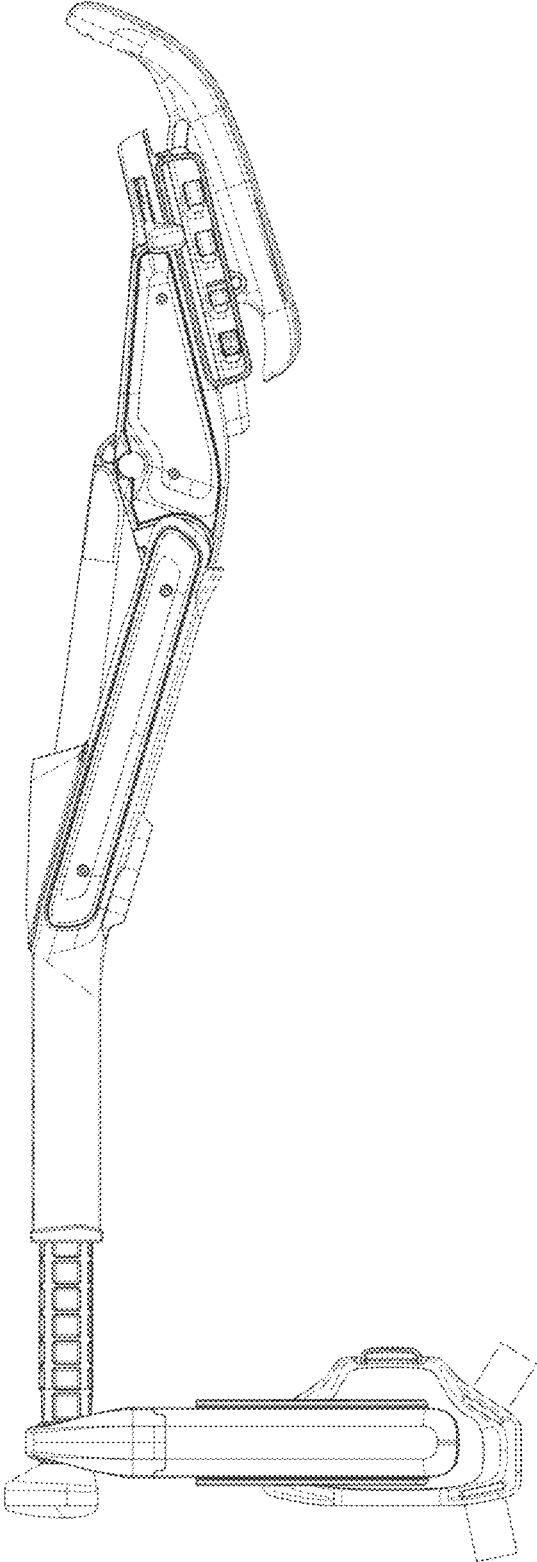
1.2



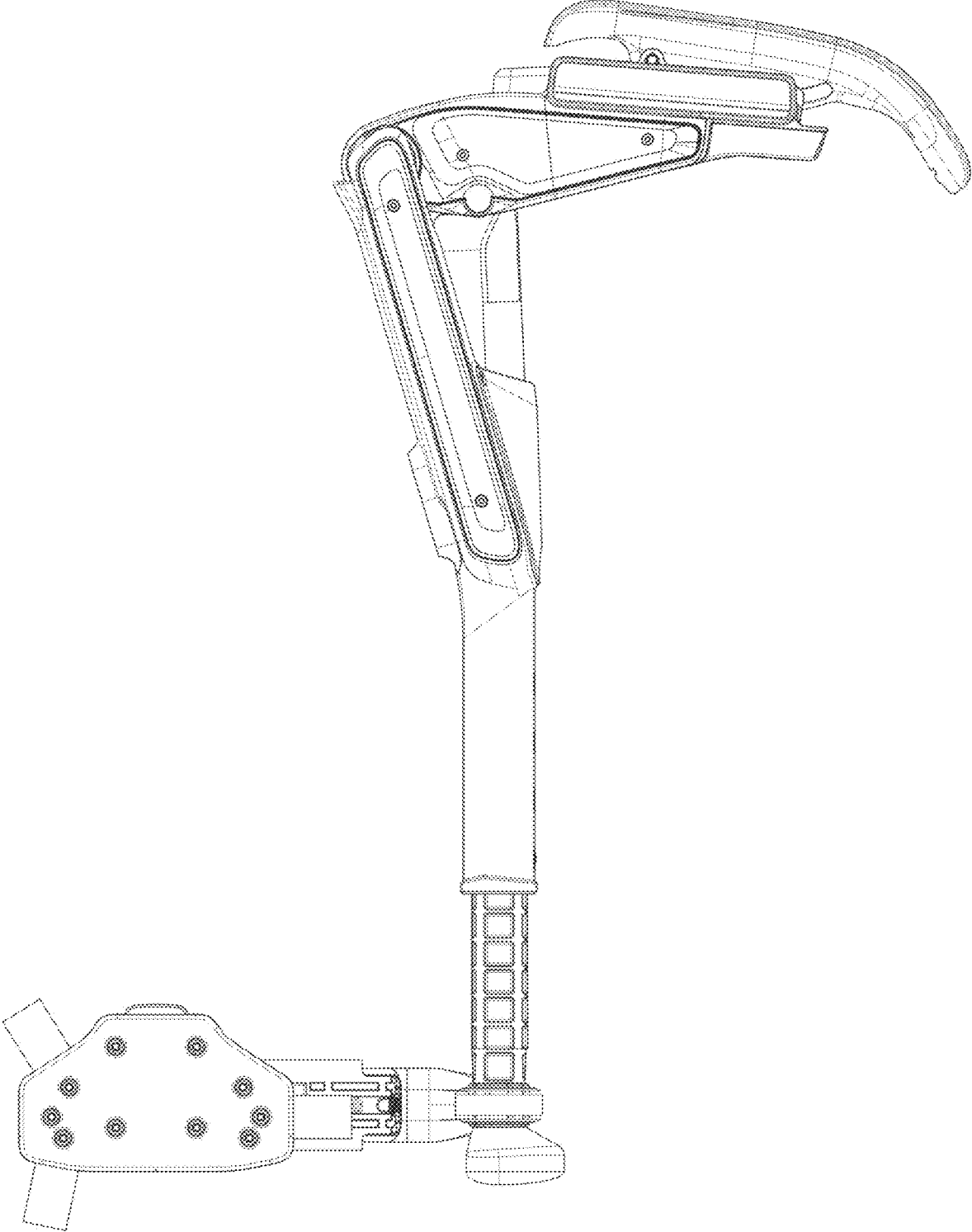
1.3



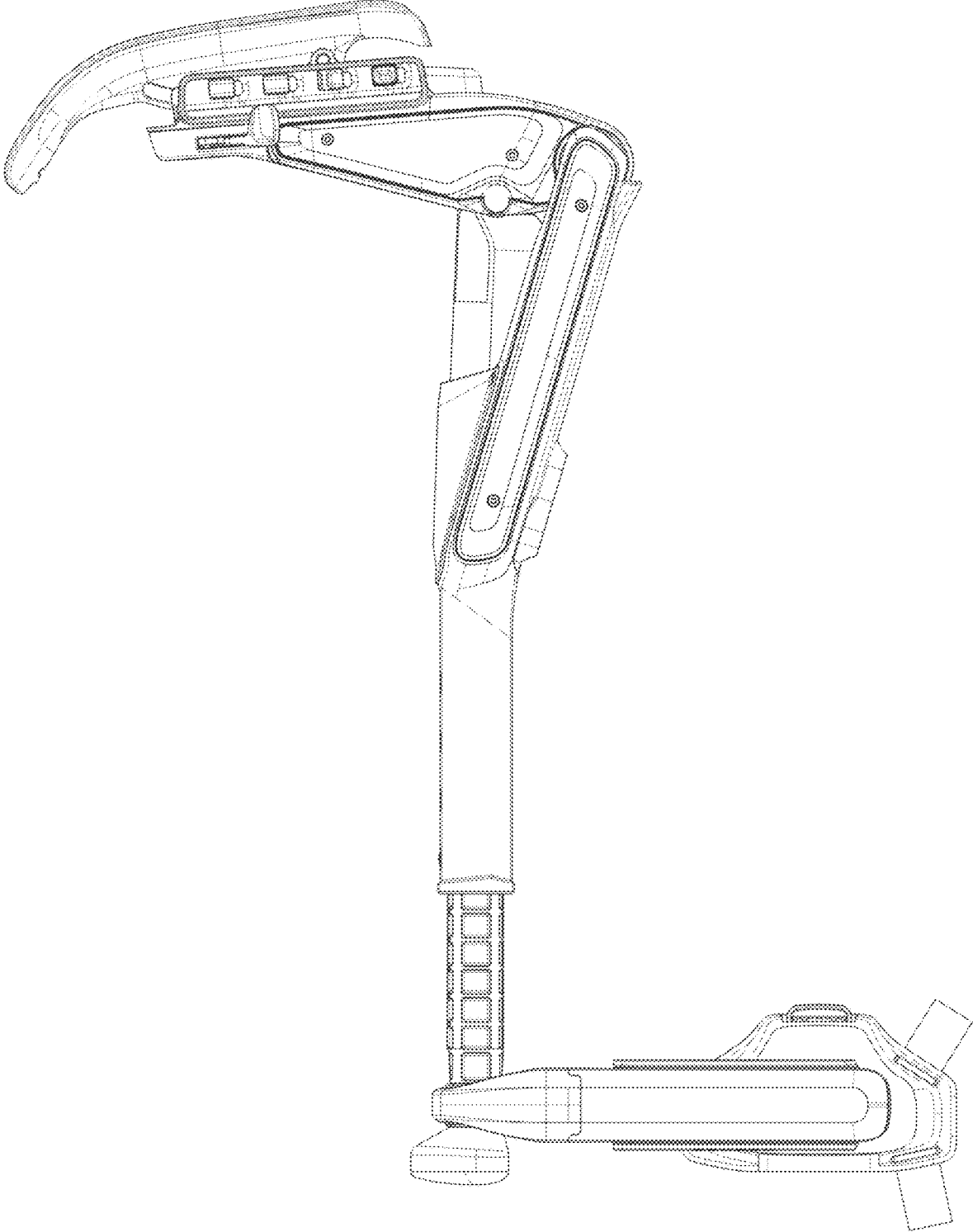
1.4



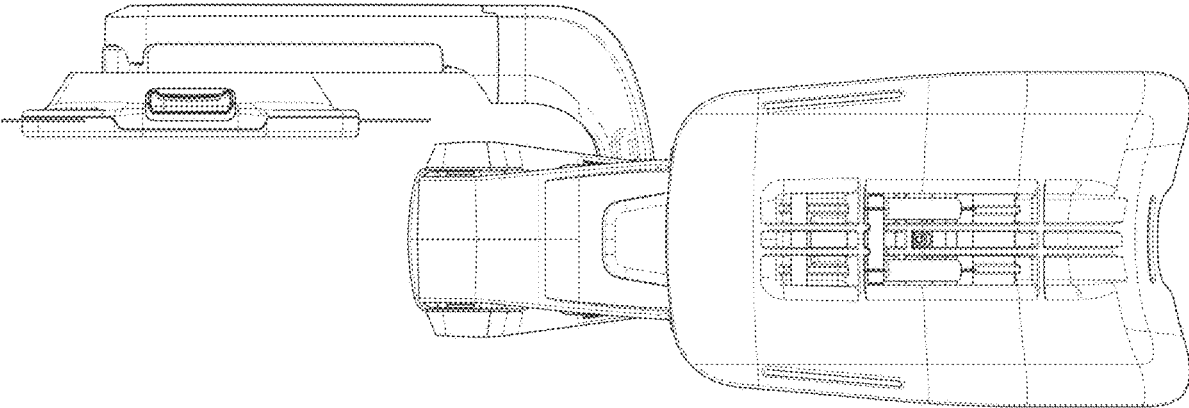
1.5



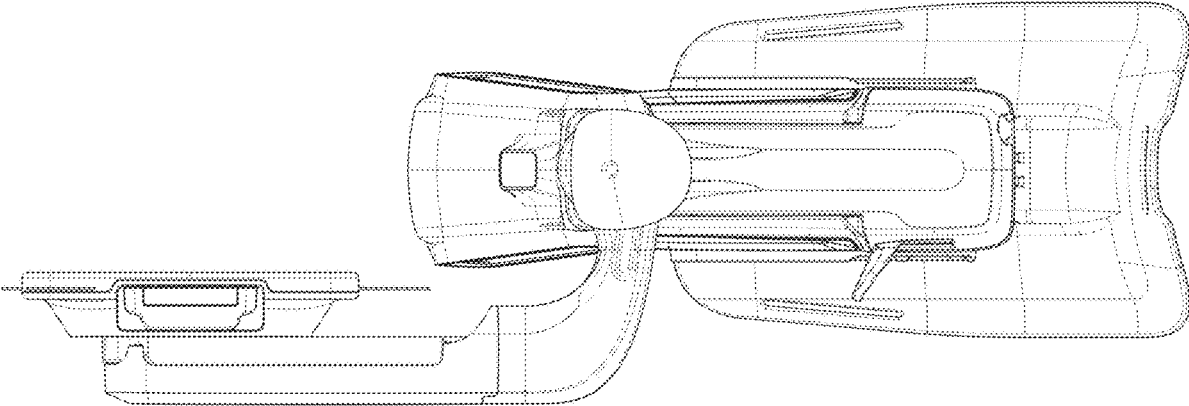
1.6



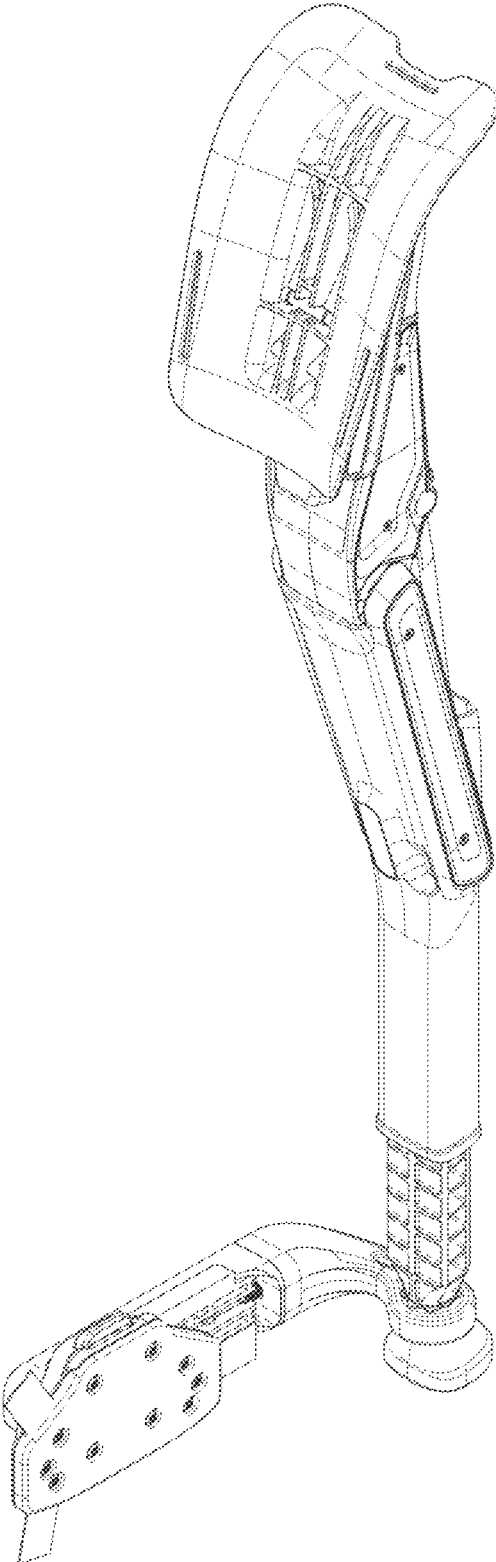
1.7



1.8



1.9



1.10

