



US00D548282S

(12) **United States Design Patent**
Chen et al.

(10) **Patent No.:** **US D548,282 S**

(45) **Date of Patent:** **** Aug. 7, 2007**

(54) **FILE POCKET**

(75) Inventors: **Peter Chen**, West Windsor, NJ (US);
Jungkun Lee, Edison, NJ (US); **Kevin Hui-Lien Lee**, East Brunswick, NJ (US)

(73) Assignee: **Officemate International Corp.**, Edison, NJ (US)

(**) Term: **14 Years**

(21) Appl. No.: **29/244,103**

(22) Filed: **Dec. 5, 2005**

(51) **LOC (8) Cl.** **19-02**

(52) **U.S. Cl.** **D19/90**

(58) **Field of Classification Search** D3/304;
D6/475, 476, 512, 513, 553; D19/75, 78,
D19/86, 87, 90, 91, 92; 206/215, 425, 45.21;
211/11, 45, 50, 55, 126.13, 126.16; 229/164
See application file for complete search history.

(56) **References Cited**

U.S. PATENT DOCUMENTS

2,353,298	A	*	7/1944	Dorfman	229/117
D201,702	S	*	7/1965	Howard	D6/518
D289,122	S	*	4/1987	Meyer et al.	D6/573
D301,101	S	*	5/1989	Meyer	D6/567
D310,925	S	*	10/1990	Mervar et al.	D6/567
D314,488	S	*	2/1991	Aaldenberg et al.	D6/567
D321,446	S	*	11/1991	Liptak	D6/475
D322,993	S	*	1/1992	Hobson	D19/90
5,261,529	A	*	11/1993	Holland	206/6.1
D391,990	S	*	3/1998	Wolff	D19/78

D438,452	S	*	3/2001	Tsai	D8/395
D444,816	S	*	7/2001	Stravitz	D19/90
D458,640	S	*	6/2002	Hofman	D19/90
D468,359	S	*	1/2003	Chen	D19/65
D477,364	S	*	7/2003	Tsai	D19/65
D486,185	S	*	2/2004	Sheldon et al.	D19/90
D498,264	S	*	11/2004	Chen et al.	D19/90
6,929,117	B1	*	8/2005	Cohen	206/45.25
D532,235	S	*	11/2006	Snell	D6/567
2006/0124712	A1	*	6/2006	Weimer, Jr.	229/120.26

* cited by examiner

Primary Examiner—Elizabeth A. Albert

(74) *Attorney, Agent, or Firm*—Daniel Kirshner

(57) **CLAIM**

The ornamental design for a file pocket, as shown and described.

DESCRIPTION

FIG. 1 is a front perspective view of a file pocket showing the new design;

FIG. 2 is a front elevational view thereof;

FIG. 3 is a rear elevational view thereof;

FIG. 4 is right side elevational view thereof;

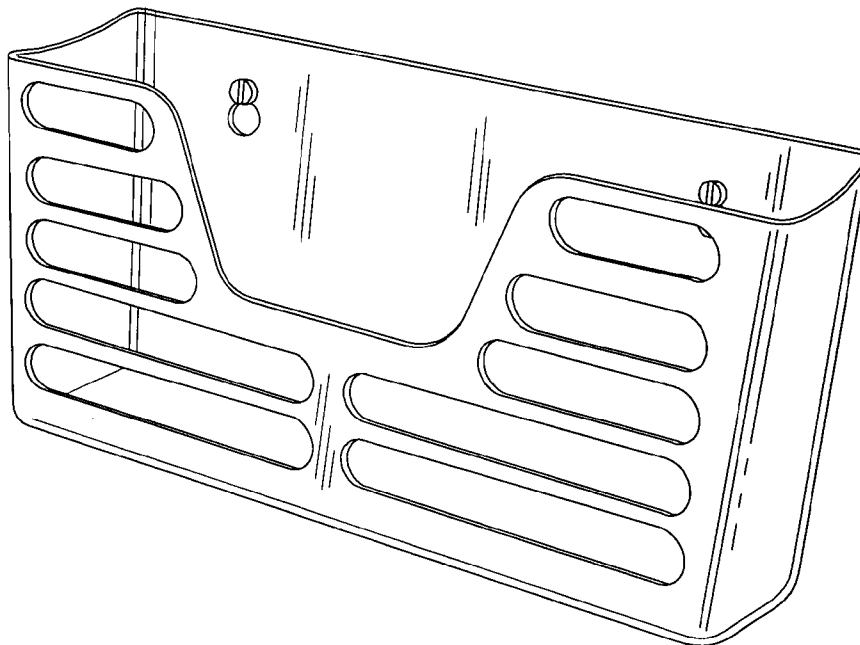
FIG. 5 is a left side elevational view thereof;

FIG. 6 is a top view thereof;

FIG. 7 is a bottom view thereof; and,

FIG. 8 is a front perspective view thereof in an exploded condition.

1 Claim, 7 Drawing Sheets



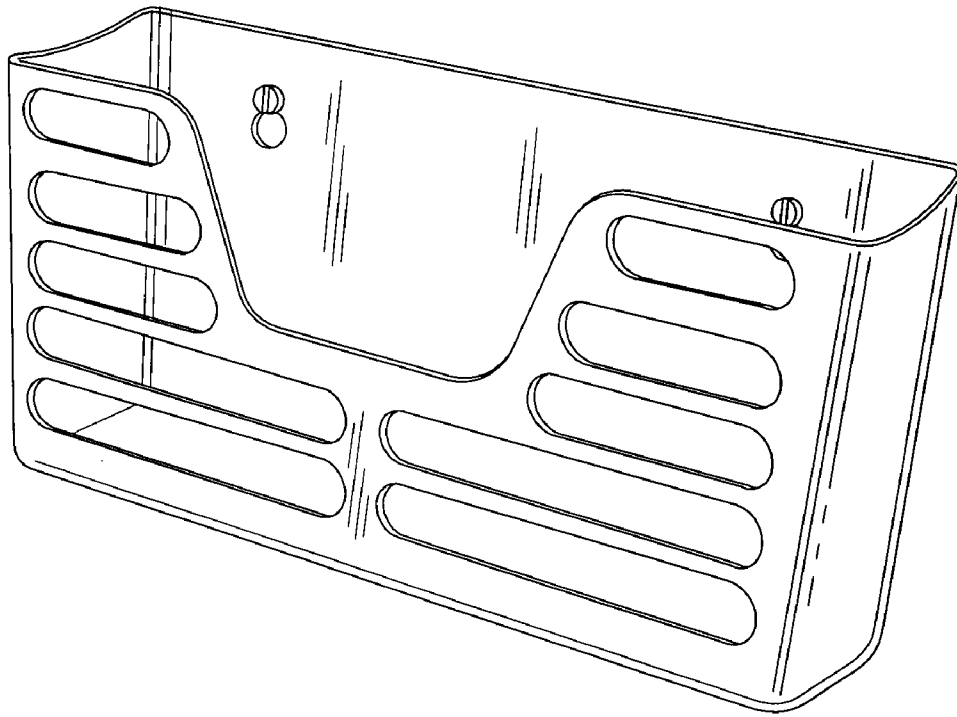


FIG. 1

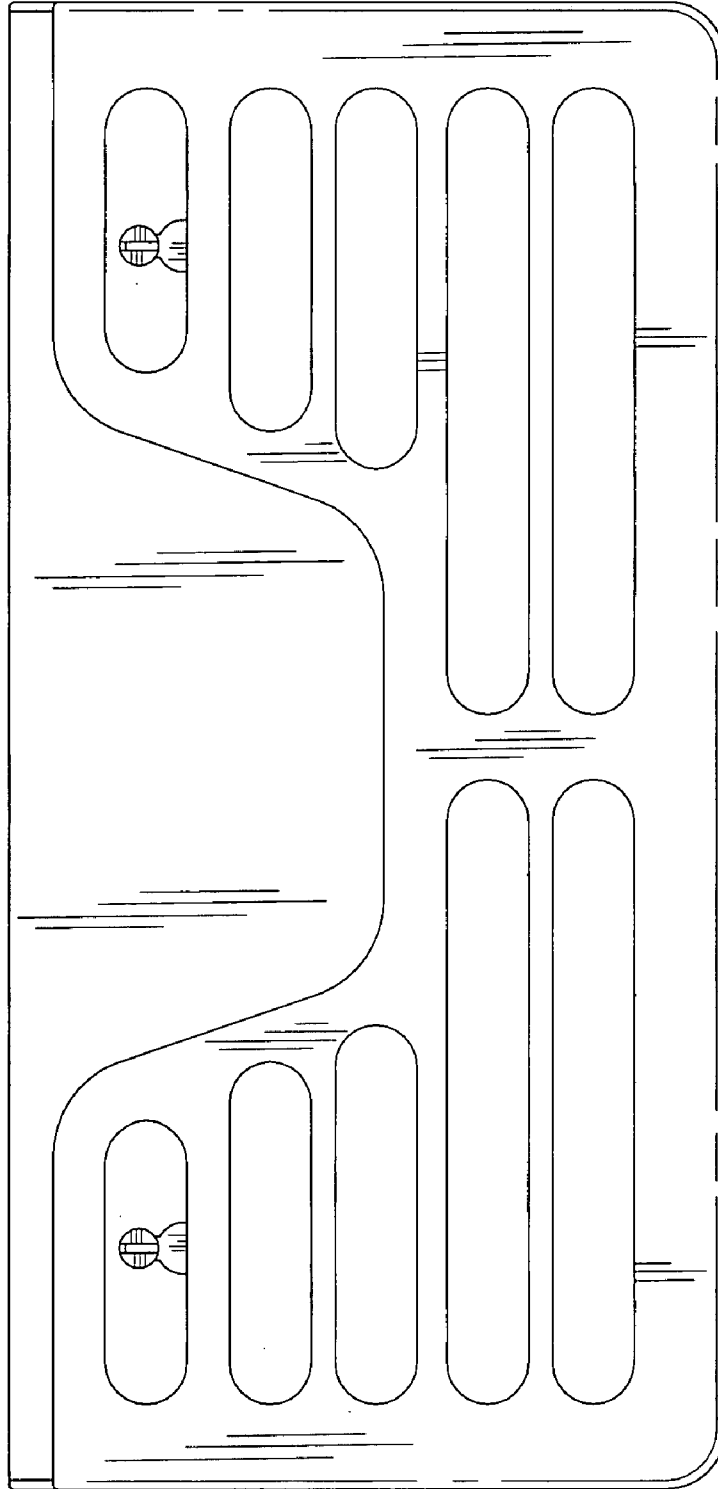


FIG. 2

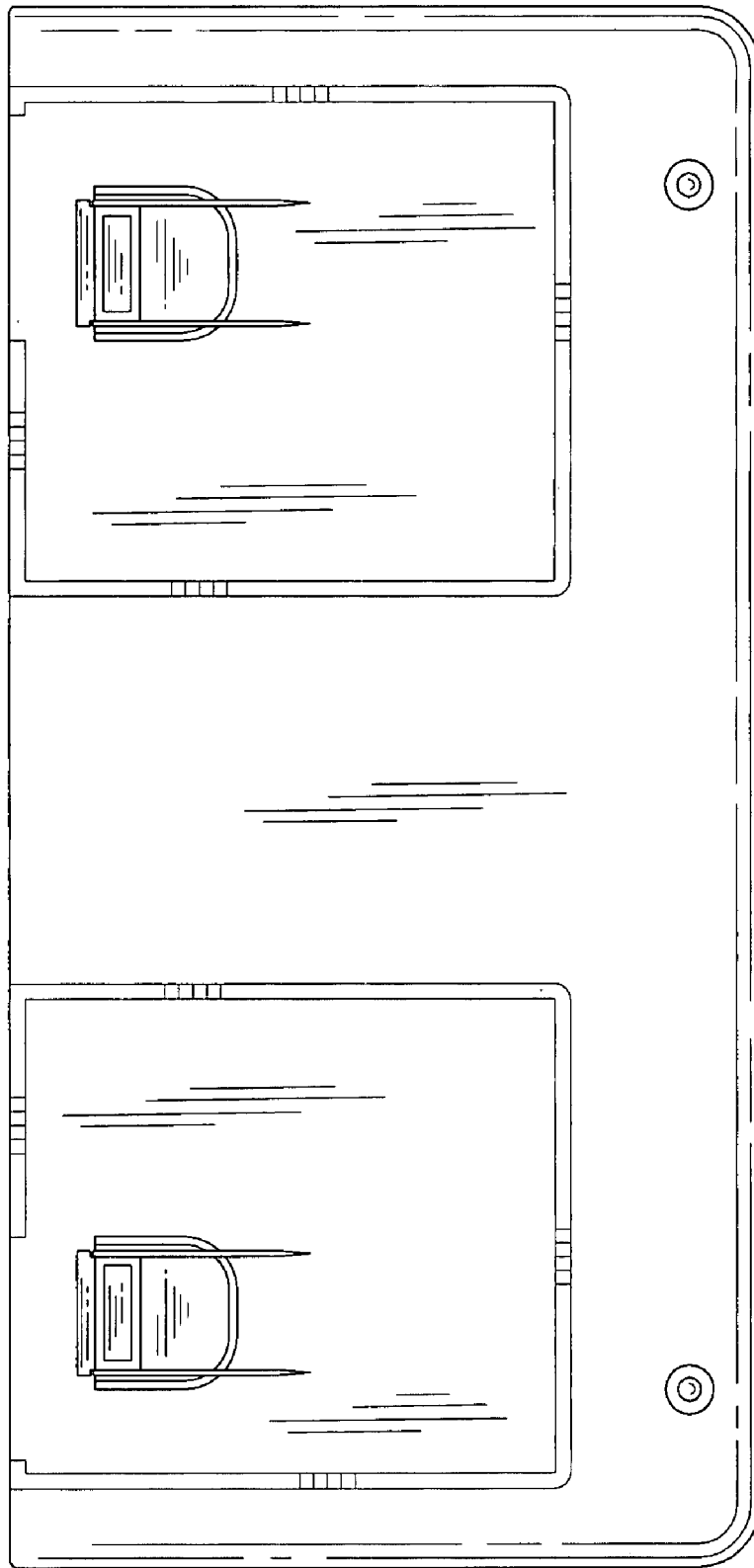


FIG. 3

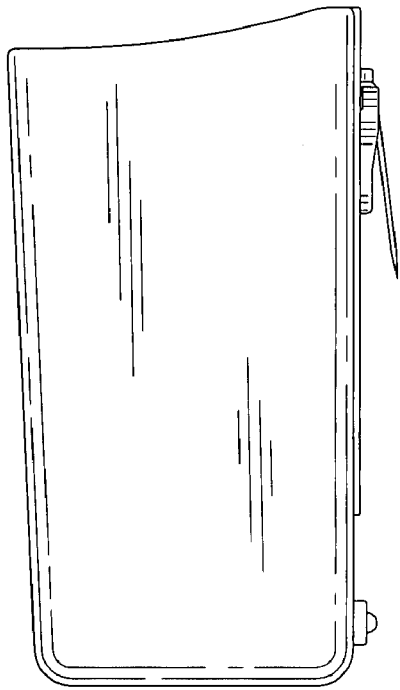


FIG. 4

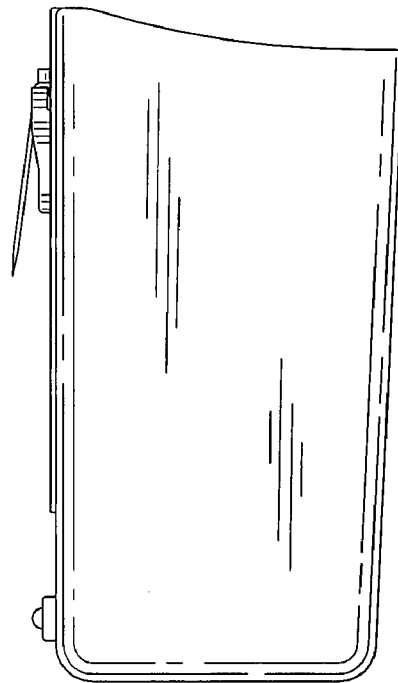


FIG. 5

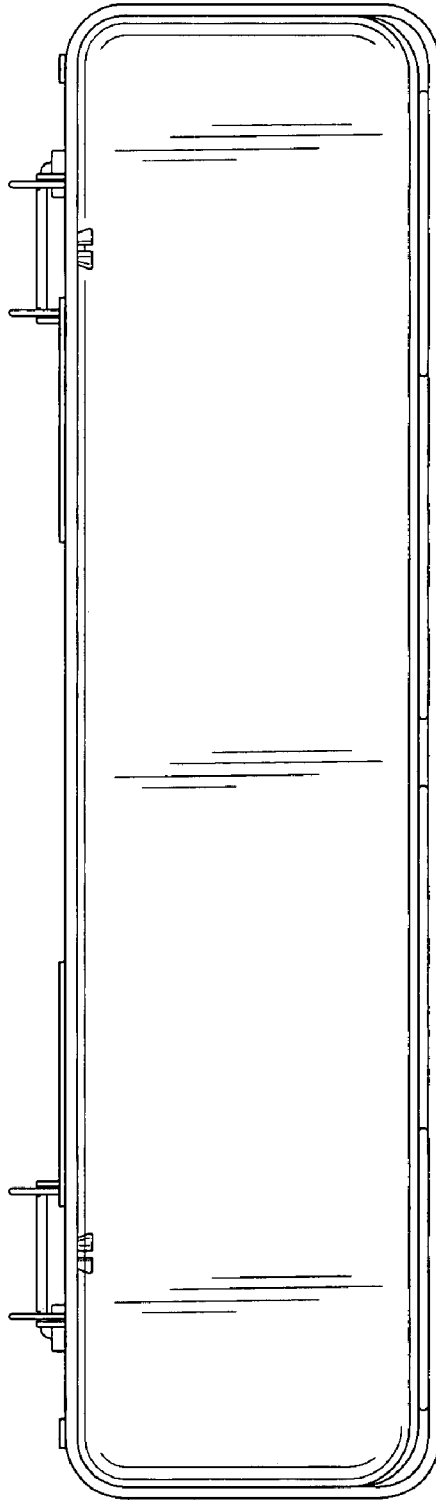


FIG. 6

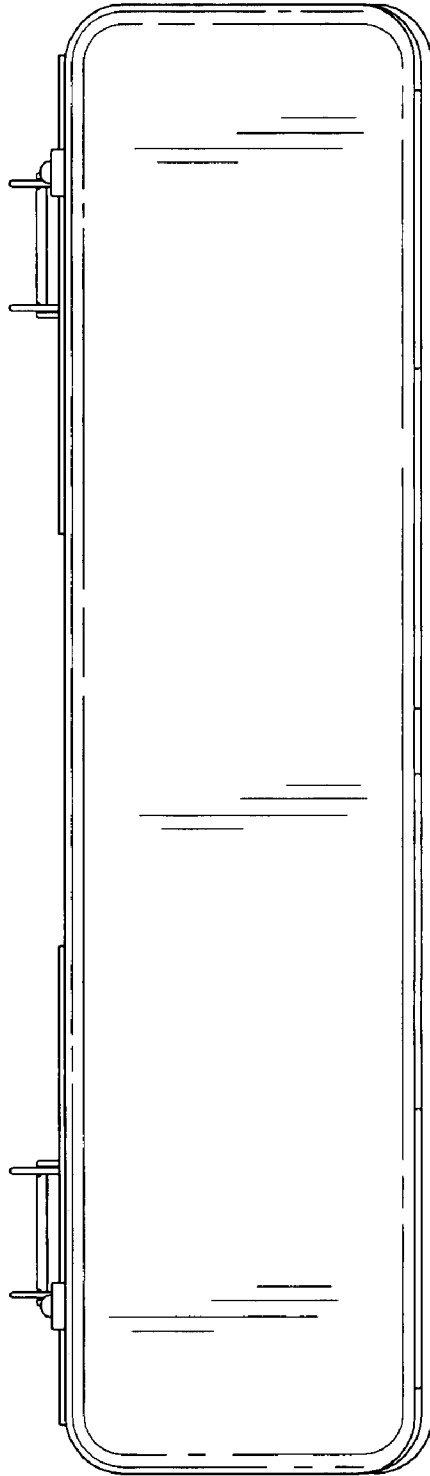


FIG. 7

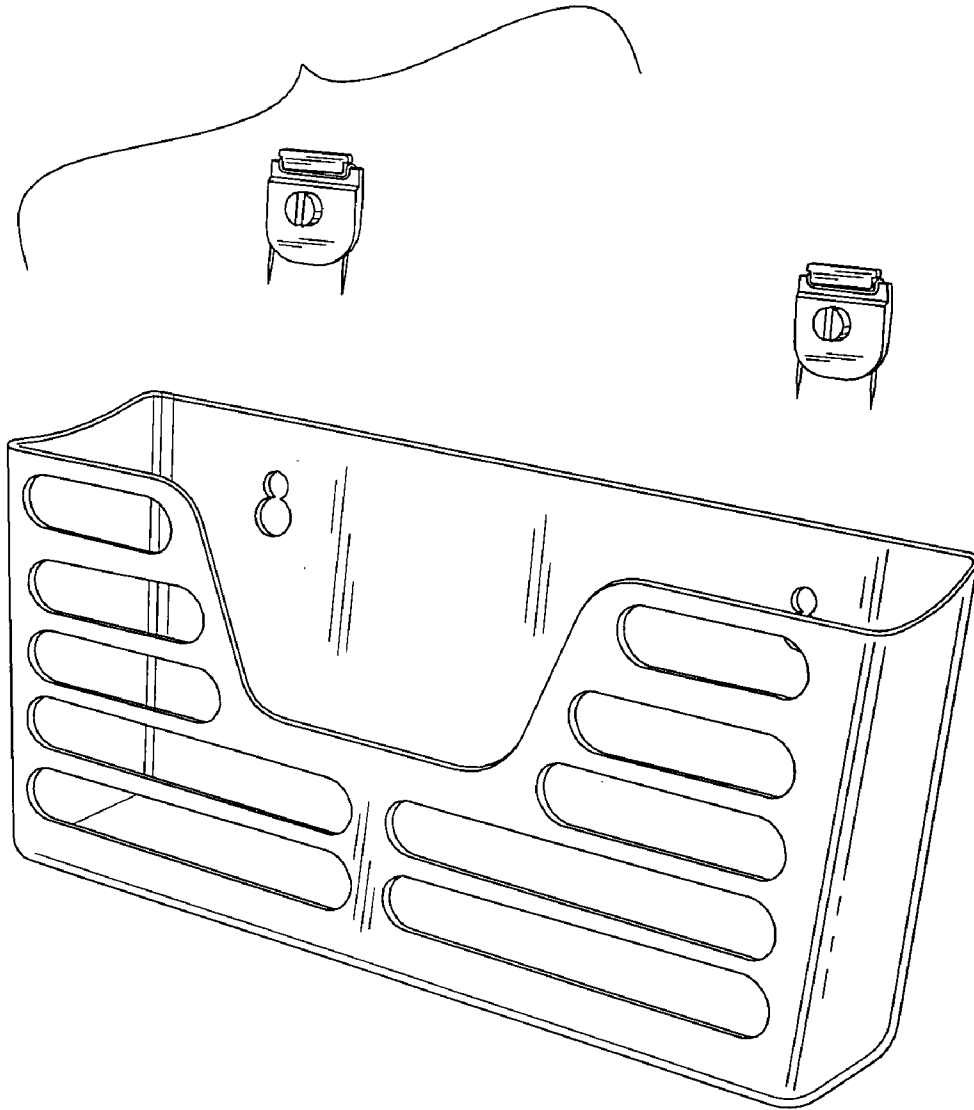


FIG. 8