



US00D886538S

(12) **United States Design Patent**
Jacobsen

(10) **Patent No.:** **US D886,538 S**

(45) **Date of Patent:** **** Jun. 9, 2020**

(54) **COOLER WITH STRAP HANDLES AND WRAP-AROUND CLOSURE**

Internet: URL<https://www.amazon.com/Arctic-Zone-Pro-Zipperless-Cooler/dp/B00L2KV718/ref=sr_1_90?ie=UTF8&qid=1521954820&sr=8-90&keywords=lunch+box+cooler>. 9 pages.

(Continued)

(71) Applicant: **RTIC OUTDOORS, LLC**, Houston, TX (US)

Primary Examiner — Terry A Wallace

(72) Inventor: **James Matthew Jacobsen**, Houston, TX (US)

(74) *Attorney, Agent, or Firm* — Fish & Richardson P.C.

(73) Assignee: **RTIC OUTDOORS, LLC**, Houston, TX (US)

(57) **CLAIM**

The ornamental design for a cooler with strap handles and wrap-around closure, as shown and described.

(**) Term: **15 Years**

DESCRIPTION

(21) Appl. No.: **29/674,482**

FIG. 1 is a perspective view of a cooler with strap handles and wrap-around closure showing my new design in a closed position.

(22) Filed: **Dec. 21, 2018**

FIG. 2 is a top view of the cooler with strap handles and wrap-around closure in a closed position.

(51) **LOC (12) Cl.** **07-01**

FIG. 3 is a bottom view of the cooler with strap handles and wrap-around closure in a closed position.

(52) **U.S. Cl.**

USPC **D7/607; D7/605**

FIG. 4 is a front view of the cooler with strap handles and wrap-around closure in a closed position.

(58) **Field of Classification Search**

USPC D7/603–608, 709, 710, 629; D3/283,

D3/287, 289, 233, 267, 268, 273, 276,

D3/315, 318

FIG. 5 is a rear view of the cooler with strap handles and wrap-around closure in a closed position.

CPC F25D 2331/804; F25D 2331/801; F25D

3/08; B65D 30/08; B65D 30/22; B65D

81/3858; B65D 81/3828; B65D 81/3888;

B65D 81/18; B65D 81/3897; B65D

31/04;

FIG. 6 is a right side view of the cooler with strap handles and wrap-around closure in a closed position.

FIG. 7 is a left side view of the cooler with strap handles and wrap-around closure in a closed position.

(Continued)

FIG. 8 is an enlarged top view of the wrap-around closure show separately for clarity of illustration only in an open position displaying a first side of a hook and loop fastener; and,

(56) **References Cited**

U.S. PATENT DOCUMENTS

D195,812 S 8/1963 James

3,225,983 A 12/1965 Majka

(Continued)

FIG. 9 is an enlarged bottom view of the wrap-around closure show separately for clarity of illustration only in an open position displaying a second side of a hook and loop fastener.

The surface shading and contour lines in the drawings represent surface and contour and do not illustrate material, surface ornamentation, or surface decoration and the broken lines in the drawings form no part of the claimed design.

OTHER PUBLICATIONS

'amazon.com' [online]. "Arctic Zone Pro 30 (24+6) Can Zipperless Cooler," Published on or before Dec. 28, 2017, Retrieved from the

1 Claim, 3 Drawing Sheets



(58) **Field of Classification Search**
 CPC B65D 53/00; B65D 69/00; B65D 8/18;
 A45C 11/20; A45C 13/02; A45F 3/02;
 A45F 3/12; A45F 3/14; A45F 3/04; A45F
 4/02

See application file for complete search history.

(56) **References Cited**

U.S. PATENT DOCUMENTS

3,734,336	A	5/1973	Rankow et al.	
3,905,526	A	9/1975	Tomatsuri	
4,050,264	A *	9/1977	Tanaka	F25D 3/08 62/457.2
4,119,248	A	10/1978	Butler et al.	
4,537,313	A *	8/1985	Workman	A47J 47/145 206/545
D280,864	S	10/1985	Allen	
D284,333	S	6/1986	Huston	
D284,623	S	7/1986	Gerch	
4,805,776	A *	2/1989	Namgyal	A45C 3/00 206/523
D311,452	S	10/1990	Ehret	
D311,476	S *	10/1990	Kumakura	D7/605
4,978,044	A	12/1990	Silver	
D313,316	S	1/1991	Nordstrom	
D340,621	S	10/1993	Melk	
D340,840	S	11/1993	Melk	
D351,945	S	11/1994	Kopel	
D361,665	S	8/1995	Izumi	
D371,052	S	6/1996	Melk	
D371,907	S	7/1996	Cyr et al.	
D371,942	S *	7/1996	Lippincott	D7/607
D387,626	S	12/1997	Melk	
D390,004	S	2/1998	Tawil	
D403,161	S	12/1998	Lin	
D406,013	S	2/1999	Yousko et al.	
D425,699	S	5/2000	Lau	
D429,562	S	8/2000	Lau	
D434,282	S	11/2000	Daw	
6,238,091	B1	5/2001	Mogil et al.	
D450,187	S	11/2001	King	
D459,876	S	7/2002	Smith	
D461,633	S	8/2002	Guyon	
D465,134	S	11/2002	Joss	
6,474,097	B2	11/2002	Treppedi et al.	
6,666,363	B2	12/2003	Godshaw et al.	
D492,115	S	6/2004	Bertelsen et al.	
D516,870	S	3/2006	Martinez et al.	
7,162,890	B2 *	1/2007	Mogil	A45C 11/20 62/457.7
7,240,513	B1	7/2007	Conforti	
D573,422	S	7/2008	Tagliati et al.	
7,540,363	B2	6/2009	Tonelli	
7,669,436	B2	3/2010	Mogil et al.	
7,730,739	B2 *	6/2010	Fuchs	A45C 11/20 62/457.7
D618,966	S	7/2010	Koehler et al.	
D628,382	S	12/2010	Niehaus et al.	
D636,184	S	4/2011	Scicluna et al.	
D637,809	S	5/2011	Meldeau	
D668,456	S	10/2012	Du	
8,281,950	B2	10/2012	Potts et al.	
D673,994	S	1/2013	Geller	
8,348,510	B2	1/2013	Mogil	
D691,796	S	10/2013	Stewart	
D692,661	S	11/2013	Gupton	
8,899,071	B2	12/2014	Mogil et al.	
D722,233	S	2/2015	Inskeep	
D724,318	S	3/2015	Myer	
D725,900	S	4/2015	McCue et al.	
D726,407	S	4/2015	Kuster	
D730,043	S	5/2015	Morelli	
D732,348	S	6/2015	Seiders et al.	
D732,349	S	6/2015	Seiders et al.	
D732,350	S	6/2015	Seiders et al.	

D732,899	S	6/2015	Seiders et al.
9,078,501	B2	7/2015	Johnson
D752,347	S	3/2016	Seiders et al.
D762,384	S	8/2016	Boroski
9,408,445	B2	8/2016	Mogil et al.
D768,378	S	10/2016	Schilp
9,491,994	B2	11/2016	Sherr
D786,559	S	5/2017	Seiders et al.
D786,560	S	5/2017	Seiders et al.
D786,561	S	5/2017	Seiders et al.
D786,562	S	5/2017	Seiders et al.
D787,187	S	5/2017	Seiders et al.
D790,933	S	7/2017	Solly
D797,454	S	9/2017	Seiders et al.
D797,455	S	9/2017	Seiders et al.
D798,670	S	10/2017	Seiders et al.
D799,276	S	10/2017	Seiders et al.
D799,277	S	10/2017	Seiders et al.
D800,444	S	10/2017	Burton et al.
D801,123	S	10/2017	Seiders et al.
D802,373	S	11/2017	Seiders et al.
D805,851	S	12/2017	Sullivan et al.
D808,655	S	1/2018	Seiders et al.
D808,730	S	1/2018	Sullivan et al.
D814,879	S	4/2018	Larson et al.
D815,496	S	4/2018	Larson et al.
D829,244	S	9/2018	Sullivan et al.
D835,473	S	12/2018	Jacobsen
D835,950	S	12/2018	Jacobsen
D836,999	S	1/2019	Jacobsen
D837,000	S	1/2019	Jacobsen
D837,001	S	1/2019	Jacobsen
D840,761	S	2/2019	Seiders et al.
D840,762	S	2/2019	Seiders et al.
D840,763	S	2/2019	Seiders et al.
D840,764	S	2/2019	Seiders et al.
D855,994	S	8/2019	Munie
D859,934	S	9/2019	Seiders et al.
D862,177	S	10/2019	Seiders et al.
D862,528	S	10/2019	Sullivan et al.
D869,151	S	12/2019	Jacobsen
2005/0205459	A1	9/2005	Mogil et al.
2007/0237432	A1	10/2007	Mogil et al.
2009/0049859	A1	2/2009	Moon
2010/0320248	A1	12/2010	Uimonen
2013/0140120	A1	6/2013	Rasmussen
2013/0188892	A1	7/2013	Bevier
2013/0216158	A1	8/2013	Meldeau et al.
2016/0029764	A1	2/2016	Hayashi
2016/0355319	A1	12/2016	Stevens

OTHER PUBLICATIONS

'amazon.com' [online]. "Arctic Zone Titan Deep Freeze 16 Can Zipperless Cooler, Silver," Published on or before Dec. 28, 2017, Retrieved from the Internet: URL<https://www.amazon.com/Arctic-Zone-Freeze-Zipperless-Cooler/dp/B01ALB94XG/ref=sr_1_4?ie=UTF8&qid=1521960036&sr=8-4&keywords=soft+cooler>. 9 pages.

'amazon.com' [online]. "Carhartt Deluxe Dual Compartment Insulated Lunch Cooler Bag, Carhartt Brown," Published on or before Dec. 28, 2017, Retrieved from the Internet: URL<https://www.amazon.com/Carhartt-Deluxe-Compartment-Insulated-Cooler/dp/B06XFY5NZW/ref=sr_1_112?ie=UTF8&qid=1521960216&sr=8-112&keywords=soft+cooler>. 8 pages.

'amazon.com' [online]. "CleverMade SnapBasket 50 Can, Soft-Sided Collapsible Cooler: 30 Liter Insulated Tote Bag, Heathered Charcoal/Black," Published on or before Dec. 28, 2017, Retrieved from the Internet: URL<https://www.amazon.com/dp/B01KPW8ZEK/ref=sxbs_sxwds-stvp_2?pf_rd_m=ATVPDKIKX0DER&pf_rd_p=352479422&pd_rd_wg=R91ap&pf_rd_r=MH3XSP5C48FB13B0DT59&pf_rd_s=desktop-sx-bottom-slot&pf_rd_t=301&pd_rd_i=B01KPW8ZEK&pd_rd_w=1rbfg&pf_rd_i=lunch+cooler&pd_rd_r=cc195352-c294-4136-a913-02986e057810&ie=UTF8&qid=1521955928&sr=2>. 9 pages.

'amazon.com' [online]. "COARA Insulated Lunch Bag, Reusable Lunch Tote Bag, Lunch Cooler Bag with Detachable Shoulder Strap

(56)

References Cited

OTHER PUBLICATIONS

and Soft Handle, Black.” Published on or before Dec. 28, 2017, Retrieved from the Internet: URL<https://www.amazon.com/COARA-Insulated-Reusable-Detachable-Shoulder/dp/B074CHJZKY/ref=sr_1_238?ie=UTF8&qid=1521958409&sr=8-238&keywords=soft+side+cooler>. 7 pages.

‘amazon.com’ [online]. “Fanmaous Lunch Box Insulated Lunch Bag Large Cooler Tote Bag Drinks Bottle Box Thermal Lunch Bags for Adult Men Women Car Picnic Camping Family ,Double Deck Cooler(18L/Khaki),” Published on or before Dec. 28, 2017, Retrieved from the Internet: URL<https://www.amazon.com/Fanmaous-Insulated-Cooler-Thermal-Camping/dp/B07219PS3P/ref=sr_1_205?ie=UTF8&qid=1521954988&sr=8-205&keywords=lunch+box+cooler>. 11 pages.

‘amazon.com’ [online]. “Fit & Fresh Insulated Large Soft Cooler Lunch Bag, 18 Can Capacity—Adjustable Shoulder Strap, Zipper Closure, Leakproof Lining (Black),” Published on or before Dec. 28, 2017, Retrieved from the Internet: URL<https://www.amazon.com/Fit-Fresh-Insulated-Cooler-Capacity/dp/B075Z5SDWF/ref=sr_1_45?ie=UTF8&qid=1521958176&sr=8-45&keywords=soft+side+cooler>. 7 pages.

‘amazon.com’ [online]. “Glotoch Large Meal Prep Bag Cooler Bag Insulated Lunch Bag Box,” Published on or before Dec. 28, 2017, Retrieved from the Internet: URL<https://www.amazon.com/Glotoch-Large-Cooler-Insulated-Lunch/dp/B06XHL9KYK/ref=pd_sbs_79_54?_encoding=UTF8&pd_rd_i=B06XHL9KYK&pd_rd_r=0Z6F6Q93TVPCBSMDB909&pd_rd_w=qjXIQ&pd_rd_wg=kPbDP&psc=1&refRID=0Z6F6Q93TVPCBSMDB909>. 8 pages.

‘amazon.com’ [online]. “Homitt Soft Cooler, 30 Can Soft Pack Cooler Insulated Soft Sided Cooler with Heavy Duty Waterproof TPU Material for Taking Lunch, Camping, Sea Fishing, Daily Trip to Beach, Family Picnic,” Published on or before Dec. 28, 2017, Retrieved from the Internet: URL<https://www.amazon.com/Homitt-Insulated-Waterproof-Material-Camping/dp/B06ZZ36L69/ref=sr_1_69?ie=UTF8&qid=1521955981&sr=8-69&keywords=lunch+cooler>. 11 pages.

‘amazon.com’ [online]. “Insulated Cooler Lunch Bag—Multiple Storage Pockets—For Work and Family Outings by Cozy Bear (Gray with Blue Trim),” Published on or before Dec. 28, 2017, Retrieved from the Internet: URL<https://www.amazon.com/Insulated-Cooler-Lunch-Bag-Multiple/dp/B06Y43TXGR/ref=sr_1_67?ie=UTF8&qid=1521954791&sr=8-67&keywords=lunch+box+cooler>. 7 pages.

‘amazon.com’ [online]. “Insulated Lunch Bag (Black)—Freezer Safe, Nylon Durability, Zip Closure—Cooler Lunch Bag for Men, Women and Kids—Locks in Heat & Cold,” Published on or before Dec. 28, 2017, Retrieved from the Internet: URL<https://www.amazon.com/dp/B01CHUNW1O/ref=sxbs_sxwds-stppvp_2?pf_rd_m=ATVPDKIKXODER&pf_rd_p=3467859002&pd_rd_wg=WWKeX&pf_rd_r=91C75BZJFGPGM1FQT6G3&pf_rd_s=desktop-sx-bottom-slot&pf_rd_t=301&pd_rd_i=B01CHUNW1O&pd_rd_w=JfJT8&pf_rd_i=soft+side+cooler&pd_rd_r=7598837a-217c-4db9-92d7-0071ac2027db&ie=UTF8&qid=1521958176&sr=2>. 10 pages.

‘amazon.com’ [online]. “Insulated Lunch Cooler Bag: InsigniaX Adult Lunch Box For Work, Men, Women With Adjustable Strap, Front Pocket and Side Pocket [Unisex Lunch Bags] H: 8.4”xW: 6.3”xL:9.1” (Black & Red),” Published on or before Dec. 28, 2017, Retrieved from the Internet: URL<https://www.amazon.com/dp/B01ADKNF7Q/ref=sspa_dk_detail_3?psc=1&pd_rd_i=B01ADKNF7Q&pd_rd_wg=kPbDP&pd_rd_r=0Z6F6Q93TVPCBSMDB909&pd_rd_w=thtct>. 10 pages.

‘amazon.com’ [online]. “Insulated Lunch Cooler Bag Detachable Shoulder Strap—2 Way Closure Zippers Safe Thermal Tote with Side Pocket and Large Back Pocket for Adults Men Women.” Published on or before Dec. 28, 2017, Retrieved from the Internet: URL<https://www.amazon.com/Insulated-Lunch-Cooler-Detachable-Shoulder/dp/B0752B5MP7/ref=pd_sbs_79_21?_encoding=UTF8&pd_rd_i=B0752B5MP7&pd_rd_r=0Z6F6Q93TVPCBSMDB909&pd_rd_w=qjXIQ&pd_rd_wg=kPbDP&psc=1&refRID=0Z6F6Q93TVPCBSMDB909>. 9 pages.

‘amazon.com’ [online]. “KOSOX 30-Can Collapsible Cooler Bag, Large Capacity Multi Pockets Thermal Insulated Waterproof Soft Cooler Tote for Outdoor Picnic Camping Fishing Travel,” Published on or before Dec. 28, 2017, Retrieved from the Internet: URL<https://www.amazon.com/KOSOX-Collapsible-Capacity-Insulated-Waterproof/dp/B075FRJ5MC/ref=sr_1_210?ie=UTF8&qid=1521958361&sr=8-210&keywords=soft+side+cooler>. 7 pages.

‘amazon.com’ [online]. “Large Heavy Duty Insulated Lunch Bag Cooler Bag For Men and Women (Black and Gray) Overwake Original,” Published on or before Dec. 28, 2017, Retrieved from the Internet: URL<https://www.amazon.com/Large-Insulated-Cooler-Overwake-Original/dp/B074YWLFFYK/ref=pd_sbs_79_27?_encoding=UTF8&pd_rd_i=B074YWLFFYK&pd_rd_r=0Z6F6Q93TVPCBSMDB909&pd_rd_w=qjXIQ&pd_rd_wg=kPbDP&psc=1&refRID=0Z6F6Q93TVPCBSMDB909>. 7 pages.

‘amazon.com’ [online]. “Large Insulated Lunch Bag Cooler Tote With 2 Reusable Cooler Ice Packs Easy Pull Zippers, Detachable Shoulder Strap, Roomy Compartments for Lunch Box, Bottles, Containers, Travel, Camping & More,” Published on or before Dec. 28, 2017, Retrieved from the Internet: URL<https://www.amazon.com/dp/B074Q3S8BC/ref=sxbs_sxwds-stppvp_3?pf_rd_m=ATVPDKIKXODER&pf_rd_p=3467859002&pd_rd_wg=WWKeX&pf_rd_r=91C75BZJFGPGM1FQT6G3&pf_rd_s=desktop-sx-bottom-slot&pf_rd_t=301&pd_rd_i=B074Q3S8BC&pd_rd_w=JfJT8&pf_rd_i=soft+side+cooler&pd_rd_r=7598837a-217c-4db9-92d7-0071ac2027db&ie=UTF8&qid=1521958176&sr=3>. 8 pages.

‘amazon.com’ [online]. “MIER Insulated Lunch Bag Men and Women Soft Cooler Lunch Box Tote with Shoulder Strap, Leakproof Liner, 24 Can, Black,” Published on or before Dec. 28, 2017, Retrieved from the Internet: URL<https://www.amazon.com/MIER-Insulated-Cooler-Shoulder-Leakproof/dp/B073RDMWMJ/ref=sr_1_29?ie=UTF8&qid=1521958150&sr=8-29&keywords=soft+side+cooler>. 9 pages.

‘amazon.com’ [online]. “Ramaka Solutions—Insulated Lunch Bag—Stain Resistant Nylon, 5 Compartments, Non-Toxic Liner, YKK Easy Pull Zippers, Padded Grab Handle, Adjustable Detachable Shoulder Strap Pad (Large, Black),” Published on or before Dec. 28, 2017, Retrieved from the Internet: URL<https://www.amazon.com/Ramaka-Solutions-Compartments-Adjustable-Detachable/dp/B011AVNESM/ref=pd_sbs_79_36?_encoding=UTF8&pd_rd_i=B011AVNESM&pd_rd_r=0Z6F6Q93TVPCBSMDB909&pd_rd_w=qjXIQ&pd_rd_wg=kPbDP&psc=1&refRID=0Z6F6Q93TVPCBSMDB909>. 11 pages.

‘amazon.com’ [online]. “Revival Picnic Cooler Bag—Top Polyester Insulated Picnic Lunch Cooler Tote Black W/ Large Side Pockets Carry Handle & 48” Shoulder Strap—Large Soft Cooler Insulated Picnic Bag for Grocery, Camping,” Published on or before Dec. 28, 2017, Retrieved from the Internet: URL<https://www.amazon.com/Revival-Polyester-Insulated-Pockets-Shoulder/dp/B01N9PUGXQ/ref=sr_1_82?ie=UTF8&qid=1521958230&sr=8-82&keywords=soft+side+cooler>. 9 pages.

‘amazon.com’ [online]. “Soft Cooler F40C4TMP Insulated Lunch Box Bag With Pocket Shoulder Strap 9-can,” Published on or before Dec. 28, 2017, Retrieved from the Internet: URL<https://www.amazon.com/Cooler-F40C4TMP-Insulated-Pocket-Shoulder/dp/B074M91M37/ref=sr_1_43?ie=UTF8&qid=1521958176&sr=8-43&keywords=soft+side+cooler>. 8 pages.

‘amazon.com’ [online]. “STARCARE Insulated Lunch Box Cooler Bag for Adults with Adjustable Shoulder Strap, Double Space, Oxford Fabric, Black,” Published on or before Dec. 28, 2017, Retrieved from the Internet: URL<https://www.amazon.com/STARCARE-Insulated-Cooler-Adjustable-Shoulder/dp/B071JGVCZB/ref=sr_1_115?ie=UTF8&qid=1521954863&sr=8-115&keywords=lunch+box+cooler>. 11 pages.

‘amazon.com’ [online]. “Utotebag Lunch Box Insulated Lunch Bag Cooler Bag 22cans Capacity Leakproof Tote Bag Shoulder Bag With Removable Strap Multi-pocket Outdoor for Family Beach Trip Picnic Hiking (Grey),” Published on or before Dec. 28, 2017, Retrieved from the Internet: URL<https://www.amazon.com/Utotebag-Insulated-Leakproof-Removable-Multi-pocket/dp/B073TYL9QZ/ref=sr_1_272?ie=UTF8&qid=1521958453&sr=8-272&keywords=soft+side+cooler>. 6 pages.

(56)

References Cited

OTHER PUBLICATIONS

'amazon.com' [online]. "Water Proof 30 Can Large Insulated Lunch Box Cooler Bag Romanticist Reusable Foldable Thermal Grocery Tote Bag with handle, Blue," Published on or before Dec. 28, 2017, Retrieved from the Internet: URL<https://www.amazon.com/Insulated-ROMANTICIST-Reusable-Foldable-Thermal/dp/B01M7XM3YJ/ref=sr_1_238?ie=UTF8&qid=1521955034&sr=8-238&keywords=lunch+box+cooler>. 8 pages.

'dickssportinggoods.com' [online]. "Igloo Ringleader 36 Can Square Cooler," Published on or before Dec. 28, 2017, Retrieved from the Internet: URL<<https://www.dickssportinggoods.com/p/igloo-ringleader-36-can-square-cooler-17iglurngldr36cnsodr/17iglurngldr36cnsodr>>. 3 pages.

U.S. Appl. No. 29/624,460, filed Nov. 1, 2017, Jacobsen.

U.S. Appl. No. 29/624,463, filed Nov. 1, 2017, Jacobsen.

U.S. Appl. No. 29/667,240, filed Oct. 19, 2018, Jacobsen.

'amazon.com' [online]. ""Maxpedition Hook-&-Loop 3""x5"" Zipper Pocket Organizer Pouch,"" Published on or before Oct. 31, 2017, Retrieved from the Internet: URL<https://www.amazon.com/MX3526KF-BRK-Hook-Loop-Zipper-Pocket/dp/B005MVAQXI/ref=sr_1_155?ie=UTF8&qid=1521054377&sr=8-155&keywords=zipper+pouch>. 7 pages.

'amazon.com' [online]. "N. Gil Large Travel Cosmetic Pouch Bag 2 (Stone Wash Blue)" Published on or before Oct. 31, 2017, Retrieved from the Internet: URL<https://www.amazon.com/Large-Travel-Cosmetic-Pouch-Stone/dp/B06XCXY9KL/ref=sr_1_270_a_it?ie=UTF8&qid=1521055190&sr=8-270&keywords=zipper%2Bpouch&th=1>. 7 pages.

'amazon.com' [online]. "Pencil Case, Vaschy Large Capacity Pen Holder Pouch with Double Zippers Multi Compartments Easy Organized Mesh Pockets Black," Published on or before Oct. 31, 2017, Retrieved from the Internet: URL<https://www.amazon.com/Vaschy-Capacity-Zippers-Compartments-Organized/dp/B073WW21PV/ref=sr_1_166?ie=UTF8&qid=1521054450&sr=8-166&keywords=zipper+pouch+22>. 9 pages.

'amazon.com' [online]. "ProCase Accessories Bag Organizer Power Bank Case, Electronics Accessory Travel Gear Organize Case, Cable Management Hard Drive Bag—Black," Published on or before Oct. 31, 2017, Retrieved from the Internet: URL<https://www.amazon.com/ProCase-Accessories-Organizer-Electronics-Management/dp/B01N1IUOTE/ref=sr_1_206?ie=UTF8&qid=1521054542&sr=8-206&keywords=zipper+pouch>. 10 pages.

'amazon.com' [online]. "ProCase Cosmetic Makeup Bag Brush Holder Case Organizer Beauty Storage Bag with Hand Strap Makeup Handbag for Travel and Household Storage—Black," https://www.amazon.com/ProCase-Cosmetic-Organizer-Storage-Household/dp/B076S8W75T/ref=sr_1_130_sspa?ie=UTF8&qid=1521054314&sr=8-130-spons&keywords=zipper+pouch&psc=1. 7 pages.

'amazon.com' [online]. "Travel Electronics Organizer Clear Pouch, Small Travel Accessories Bag for Chargers Headphones USB Cables & More," Published on or before Oct. 31, 2017, Retrieved from the Internet: URL<https://www.amazon.com/Electronics-Organizer-Accessories-Chargers-Headphones/dp/B075M6ZP4T/ref=sr_1_200?ie=UTF8&qid=1521054542&sr=8-200&keywords=zipper+pouch>. 7 pages.

'amazon.com' [online]. "TSA Approved Toiletry Bag—Clear Travel Bag for Men and Women to Carry On your Makeup and Toiletries (2 Pack)," Published on or before Oct. 31, 2017, Retrieved from the Internet: URL<https://www.amazon.com/TSA-Approved-Toiletry-Bag-Toiletries/dp/B074NXG4P5/ref=sr_1_19_sspa?ie=UTF8&qid=1521054094&sr=8-19-spons&keywords=zipper%2Bpouch&th=1>. 7 pages.

'personalizationmall.com' [online]. Published on or before Oct. 31, 2017, Retrieved from the Internet: URL<<https://www.personalizationmall.com/Mens-Toiletly-Bag-Embroidered-Monogram-i55523.item?productid=17382>>. 4 pages.

U.S. Appl. No. 29/674,469, filed Dec. 21, 2018, Jacobsen.

U.S. Appl. No. 29/674,518, filed Dec. 21, 2018, Jacobsen.

U.S. Appl. No. 29/667,270, filed Oct. 19, 2018, Jacobsen.

* cited by examiner

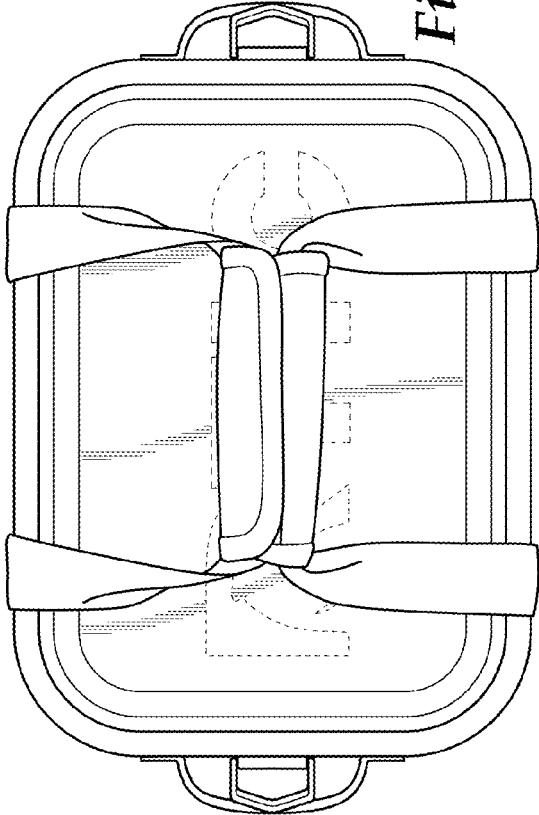


Fig. 2

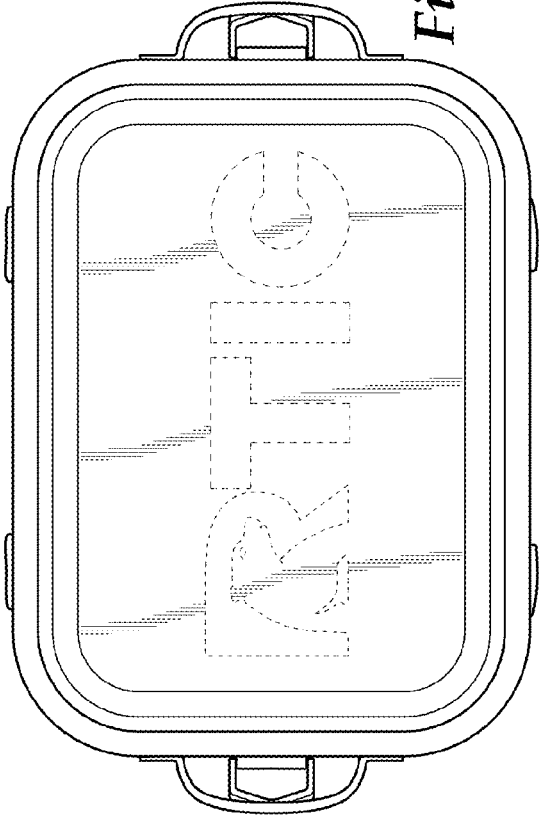


Fig. 3

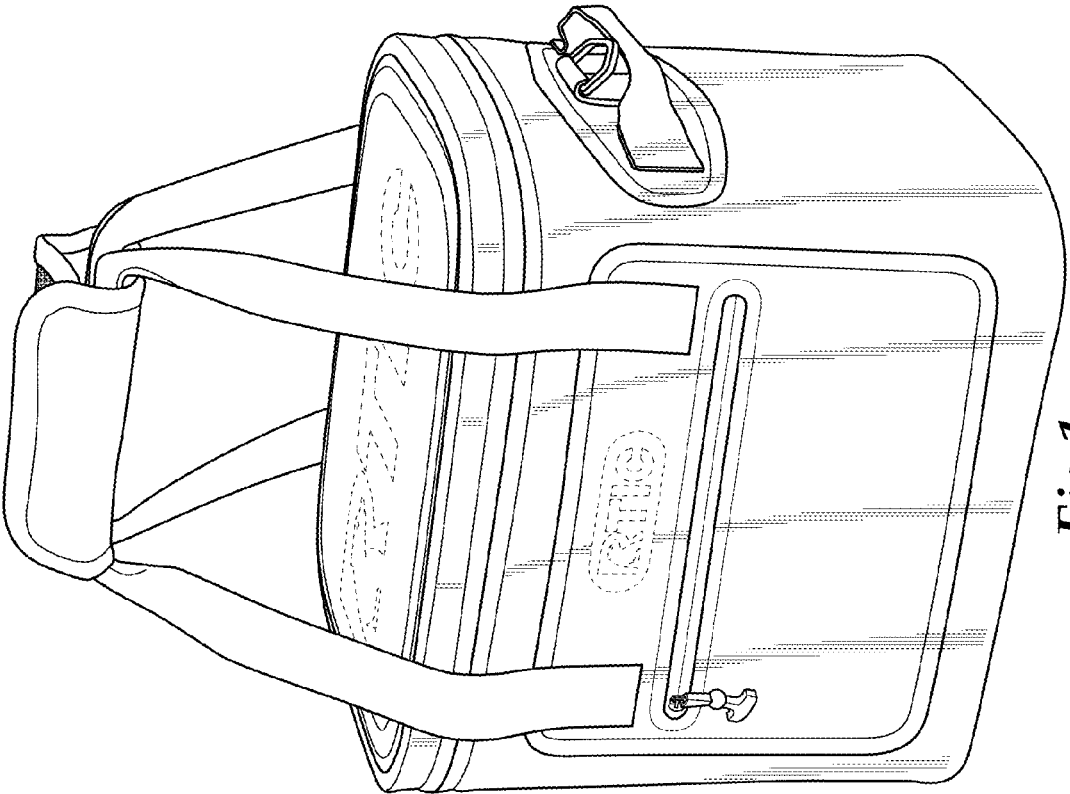


Fig. 1

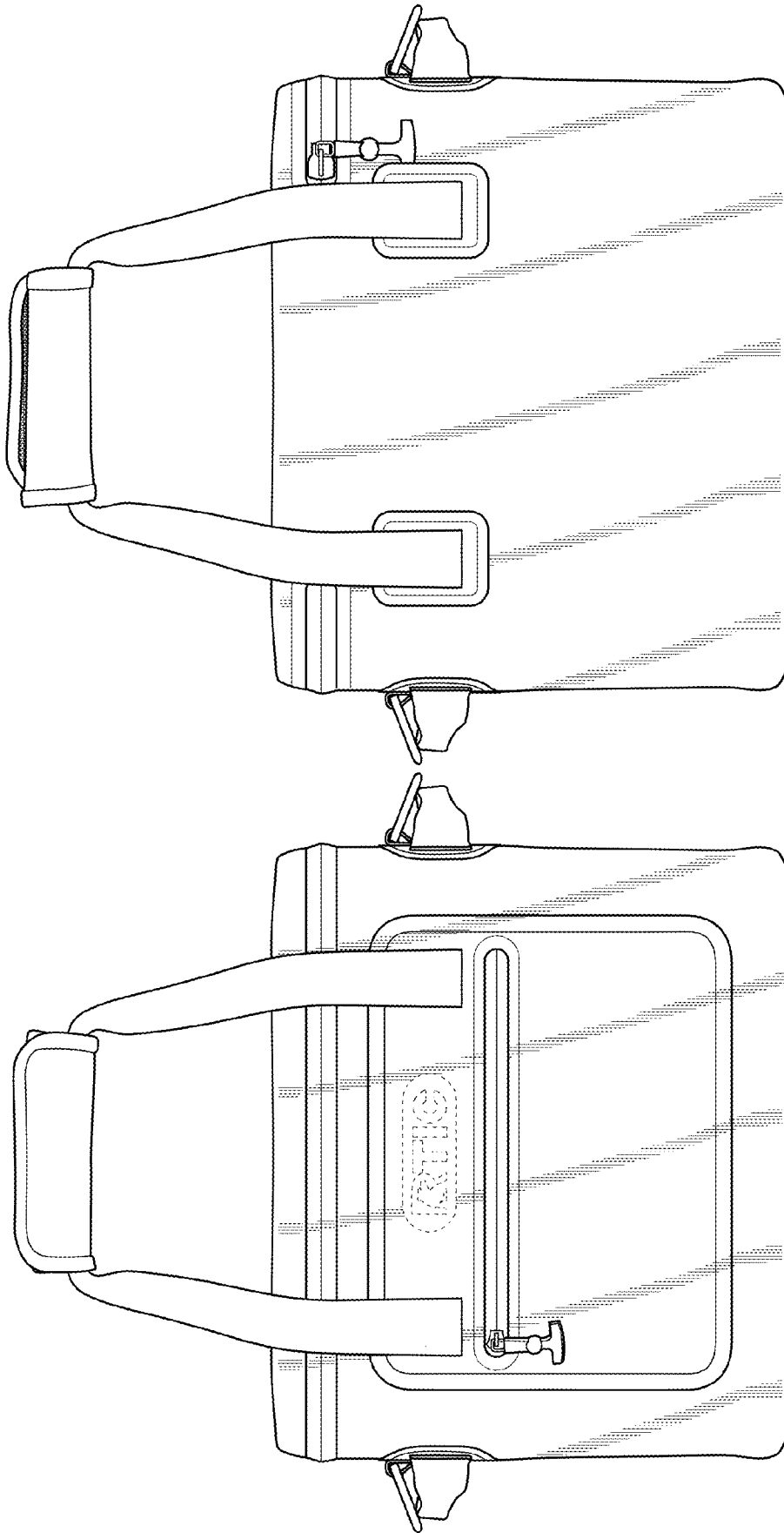


Fig.5

Fig.4

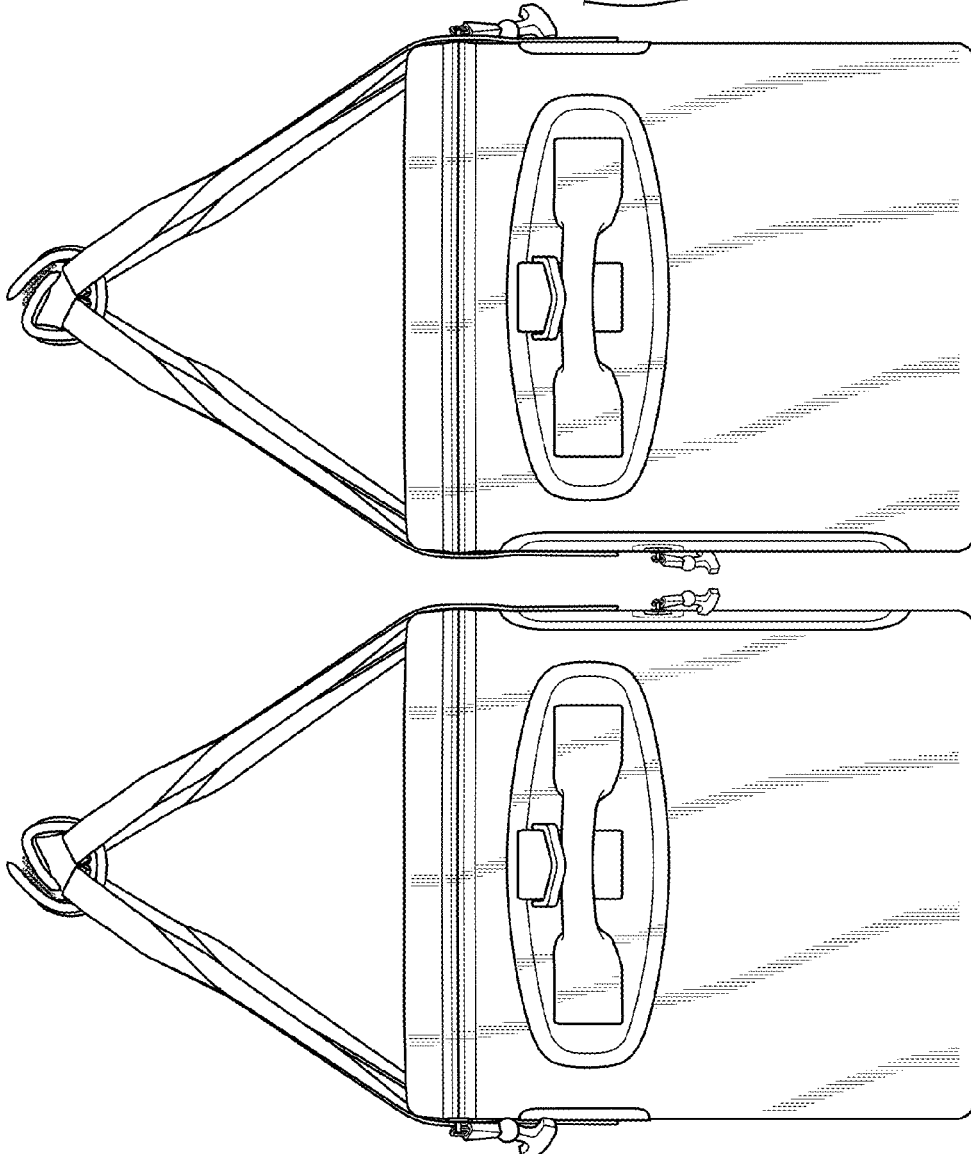


Fig. 6

Fig. 7

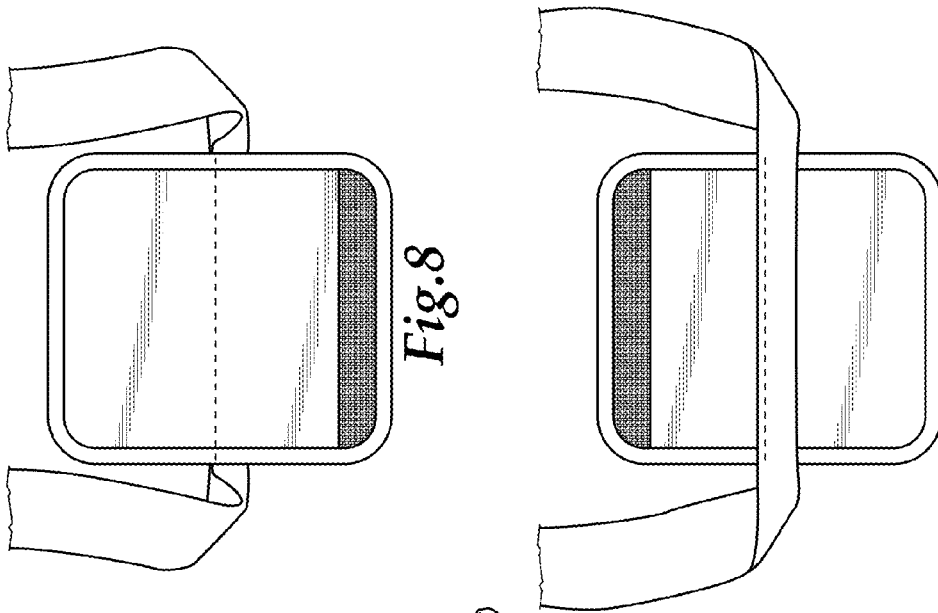


Fig. 8

Fig. 9