

(12) **UK Patent Application** (19) **GB** (11) **2 234 433** (13) **A**
(43) Date of A publication 06.02.1991

(21) Application No 8913247.6

(22) Date of filing 08.06.1989

(71) Applicant
Stephen Selby Pictures Limited
(Incorporated in the United Kingdom)
63-66 Broadway Market, London, E8 4PH,
United Kingdom

(72) Inventor
Stephen A Selby

(74) Agent and/or Address for Service
Reddie & Grose
16 Theobalds Road, London, WC1X 8PL,
United Kingdom

(51) INT CL⁵
A47G 1/06 1/16

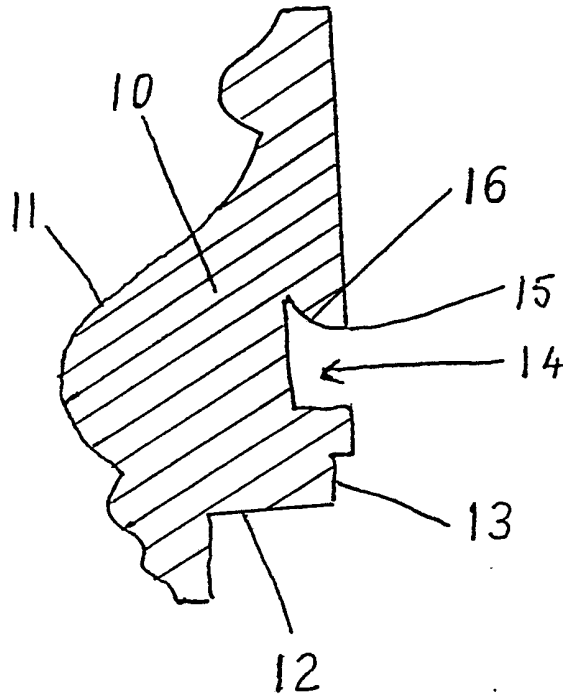
(52) UK CL (Edition K)
A4X XU25 X13
U1S S2296

(56) Documents cited
GB 2144987 A GB 1499031 A GB 1245458 A
US 4555432 A US 4161977 A

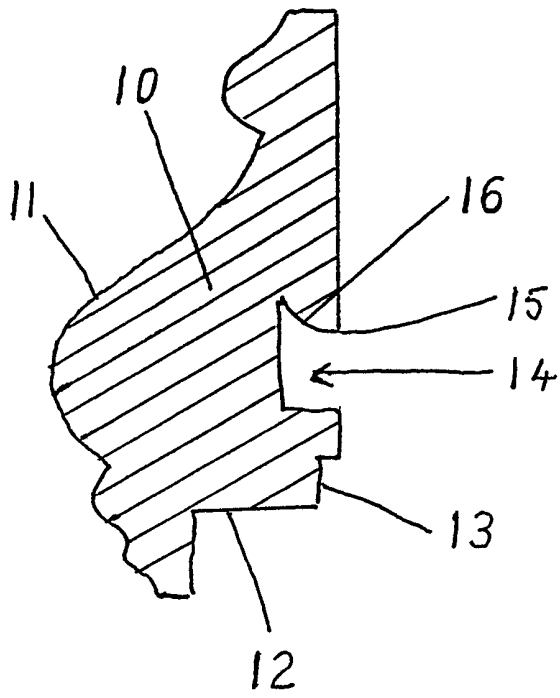
(58) Field of search
UK CL (Edition J) A4X

(54) **Picture frame**

(57) A picture frame has top, bottom and side frame members, the back of the top frame member (10) including an undercut longitudinal groove (14) for engagement with a supporting pin or bracket.



GB 2 234 433 A



PICTURE FRAME

The present invention relates to picture frames and concerns, in particular, the way in which such frames are supported.

Commonly picture frames are supported from a pin or bracket on a wall by means of a string or cord which passes through loops or eyes which are attached to the frame or to the back-board of the picture. This method often involves some difficulty in hanging the picture and ensuring that it hangs level and is not inclined outwards undesirably far from the wall.

In accordance with the present invention there is provided a picture frame comprising top, bottom, and side frame members and having in the back of the top frame member a longitudinal groove whose upper edge is under-cut to enable the groove to engage with a supporting pin or bracket on a wall.

With this construction the hanging of the picture is effected very simply by placing the under-cut groove over the supporting pin or bracket. If two spaced pins or brackets are used they can be levelled before the picture is hung to ensure that the picture is level and remains level on the supports. The picture will lie very close to the wall so that its surface is essentially vertical.

If the frame is of wood the groove can be machined along the length of the frame member before assembly and this may be done as part of the shaping process. Equally an extruded metal frame member can be manufactured with the necessary longitudinal groove.

The invention will be described in more detail with the aid of an example illustrated in the accompanying drawing, which shows in cross-section a wooden frame member for forming the top member of a frame in accordance with the invention.

The frame member 10 has a profiled front face 11 to form a

decorative moulding around the picture. In the inner edge a rectangular recess 12 is formed to accommodate the glass and the mount and at the rear is a shallow recess 13 to receive the edge of the backing board.

The back face of the frame member has a longitudinally-extending groove 14 whose upper edge 15 is under-cut at 16 to engage with a support bracket or with the head of a supporting pin. As shown the under-cut 16 has a convex curved form but this can be varied to suit the particular mounting pin or bracket with which the groove is to engage. The under-cut hooks over the pin or bracket to provide security against accidental release of the picture from the support or supports. However the picture is easily removed by first lifting it and then pulling it away from the wall.

CLAIMS:

1. A picture frame comprising top, bottom, and side frame members and having in the back of the top frame member a longitudinal groove whose upper edge is under-cut to enable the groove to engage with a supporting pin or bracket on a wall.
2. A frame as claimed in claim 1 in which the under-cut upper edge has a convexly curved profile.
3. A frame as claimed in claim 1 or 2 in which the frame members are of wood.