



US00D587539S

(12) **United States Design Patent**  
**Almeda et al.**

(10) **Patent No.:** **US D587,539 S**  
(45) **Date of Patent:** **\*\* Mar. 3, 2009**

(54) **CUTTING BOARD**

(76) Inventors: **Juan-Ramon Almeda**, 1357 Alina St.,  
Elizabeth, NJ (US) 07208; **Estela**  
**Maris-Martinez**, 1357 Alina St.,  
Elizabeth, NJ (US) 07208

(\*\*) Term: **14 Years**

(21) Appl. No.: **29/308,420**

(22) Filed: **Jun. 18, 2008**

(51) **LOC (9) Cl.** ..... **07-04**

(52) **U.S. Cl.** ..... **D7/698**

(58) **Field of Classification Search** ..... D6/398;  
D7/388, 409, 505, 549, 553.5, 586, 624.1,  
D7/637-638, 696, 698-699; D8/71; D14/436;  
99/446, 449; 119/61.54; 269/13-16, 54.5,  
269/289 R, 291-292, 297-298, 302.1

See application file for complete search history.

(56) **References Cited**

**U.S. PATENT DOCUMENTS**

D258,036 S *	1/1981	Sabin	.....	D7/698
D264,531 S *	5/1982	Trode	.....	D6/398
D308,461 S *	6/1990	Hosea	.....	D7/549
4,989,846 A *	2/1991	Quinn	.....	269/54.5
D339,507 S *	9/1993	Ancona et al.	.....	D7/698
D364,072 S *	11/1995	Keable	.....	D7/553.5
D380,944 S *	7/1997	Nielsen	.....	D7/698
6,371,470 B1 *	4/2002	Ward	.....	269/289 R
D462,965 S *	9/2002	Pentz	.....	D14/436
D519,016 S *	4/2006	Nudo	.....	D8/71
7,040,252 B2 *	5/2006	Wetterer et al.	.....	119/61.54

D543,423 S *	5/2007	Benson	.....	D7/698
D543,802 S *	6/2007	Fuchs	.....	D7/698
2002/0096092 A1	7/2002	Simonson		
2002/0195763 A1	12/2002	Benjamin		
2004/0046301 A1	3/2004	Thompson		
2004/0147212 A1	7/2004	Leili		
2004/0207140 A1	10/2004	Johnson		
2005/0241984 A1	11/2005	Mosko		
2006/0101959 A1	5/2006	Jeska		
2006/0240758 A1	10/2006	Sorey		
2006/0254472 A1	11/2006	Goldberg		
2007/0026785 A1	2/2007	Quinney		
2007/0036886 A1	2/2007	Primavera		

\* cited by examiner

*Primary Examiner*—Caron Veynar

*Assistant Examiner*—Ricky Pham

(74) *Attorney, Agent, or Firm*—R. Martin Oliveras

(57) **CLAIM**

The ornamental design for a cutting board, as shown.

**DESCRIPTION**

FIG. 1 is a top plan view of the cutting board.

FIG. 2 is a bottom plan view of the cutting board.

FIG. 3 is a front elevational view of the cutting board.

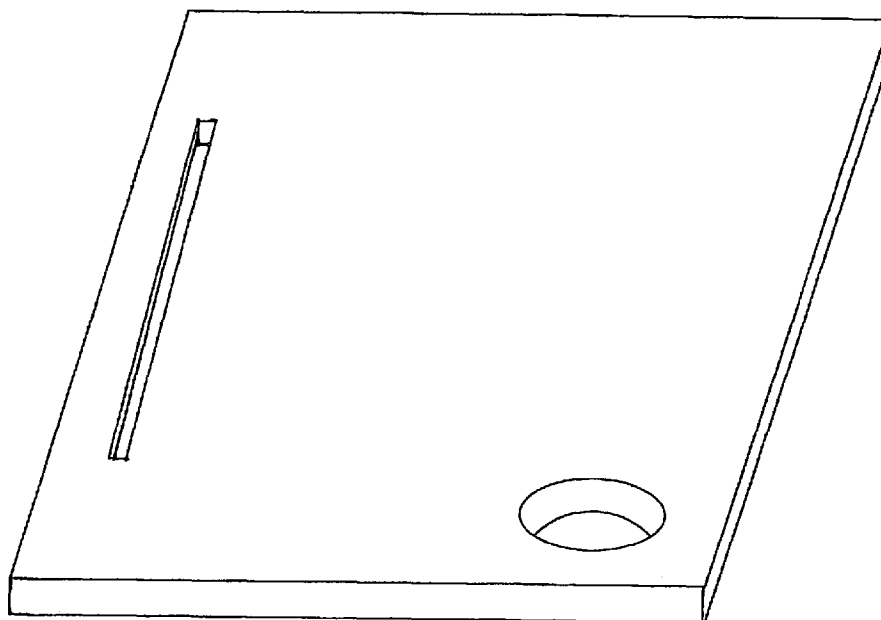
FIG. 4 is a rear elevational view of the cutting board.

FIG. 5 is a left side elevational view of the cutting board.

FIG. 6 is a right side elevational view of the cutting board;  
and,

FIG. 7 is an isometric view of the cutting board.

**1 Claim, 2 Drawing Sheets**



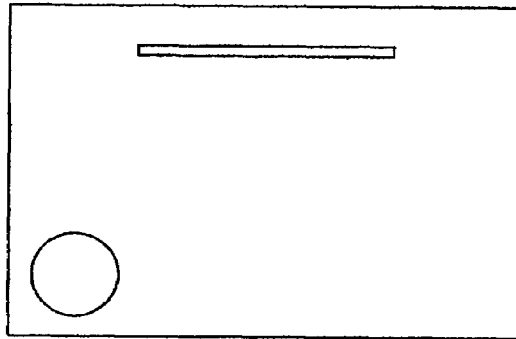


FIGURE 1

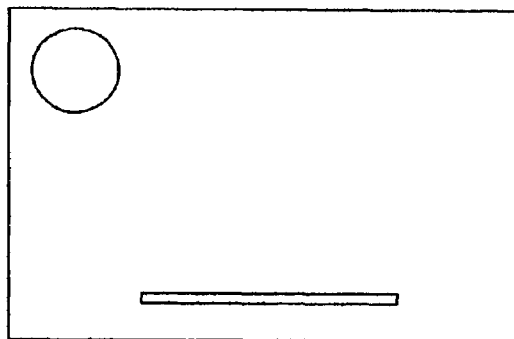


FIGURE 2

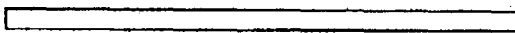


FIGURE 3



FIGURE 4

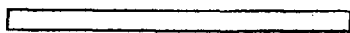


FIGURE 5

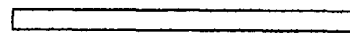


FIGURE 6

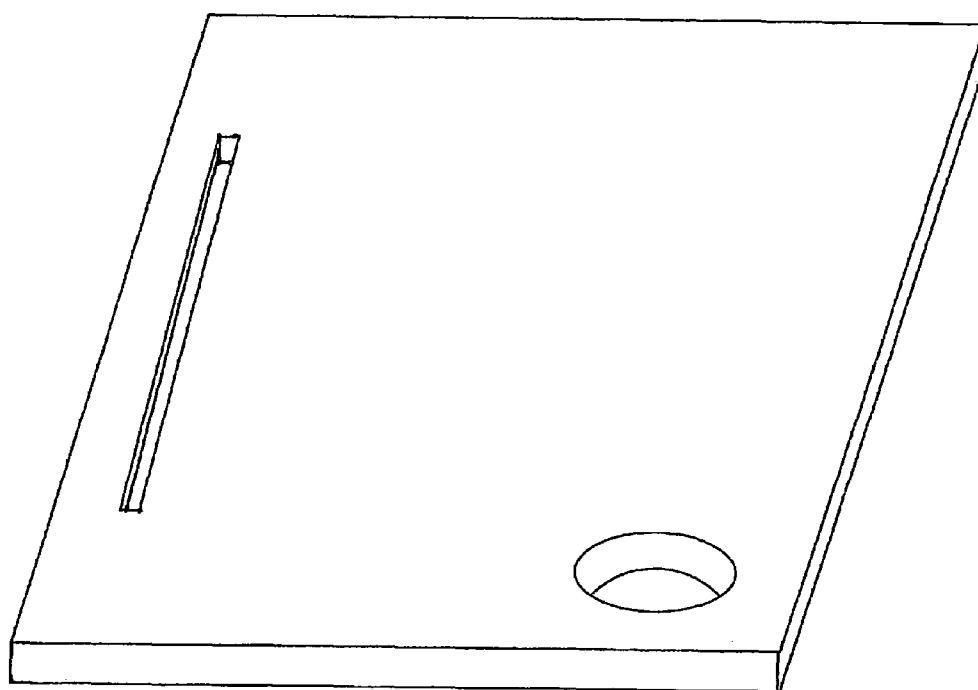


FIGURE 7