

(19) World Intellectual Property Organization
International Bureau



(43) International Publication Date
3 June 2011 (03.06.2011)

(10) International Publication Number
WO 2011/066031 A3

(51) International Patent Classification:

B64C 9/34 (2006.01) *B64C 3/38* (2006.01)
B64C 13/18 (2006.01) *B64C 13/28* (2006.01)

(74) Agent: **BROOKS, Michael, Blaine**; 1445 East Los Angeles Avenue, Suite 208, Simi Valley, California 93065-2827 (US).

(21) International Application Number:

PCT/US2010/048323

(81) Designated States (unless otherwise indicated, for every kind of national protection available): AE, AG, AL, AM, AO, AT, AU, AZ, BA, BB, BG, BH, BR, BW, BY, BZ, CA, CH, CL, CN, CO, CR, CU, CZ, DE, DK, DM, DO, DZ, EC, EE, EG, ES, FI, GB, GD, GE, GH, GM, GT, HN, HR, HU, ID, IL, IN, IS, JP, KE, KG, KM, KN, KP, KR, KZ, LA, LC, LK, LR, LS, LT, LU, LY, MA, MD, ME, MG, MK, MN, MW, MX, MY, MZ, NA, NG, NI, NO, NZ, OM, PE, PG, PH, PL, PT, RO, RS, RU, SC, SD, SE, SG, SK, SL, SM, ST, SV, SY, TH, TJ, TM, TN, TR, TT, TZ, UA, UG, US, UZ, VC, VN, ZA, ZM, ZW.

(22) International Filing Date:

9 September 2010 (09.09.2010)

(84) Designated States (unless otherwise indicated, for every kind of regional protection available): ARIPO (BW, GH, GM, KE, LR, LS, MW, MZ, NA, SD, SL, SZ, TZ, UG, ZM, ZW), Eurasian (AM, AZ, BY, KG, KZ, MD, RU, TJ, TM), European (AL, AT, BE, BG, CH, CY, CZ, DE, DK, EE, ES, FI, FR, GB, GR, HR, HU, IE, IS, IT, LT, LU, LV, MC, MK, MT, NL, NO, PL, PT, RO, SE, SI, SK, SM, TR), OAPI (BF, BJ, CF, CG, CI, CM, GA, GN, GQ, GW, ML, MR, NE, SN, TD, TG).

(25) Filing Language:

English

(26) Publication Language:

English

(30) Priority Data:

61/240,985 9 September 2009 (09.09.2009) US

(71) Applicant (for all designated States except US): **AEROVIRONMENT, INC.** [US/US]; 181 West Huntington Drive, Suite 202, Monrovia, California 91016 (US).

(72) Inventors; and

(75) Inventors/Applicants (for US only): **MIRALLES, Carlos, Thomas** [US/US]; 3433 Viewcrest Drive, Burbank, California 91504 (US). **PLUMB, Nick** [US/US]; 181 West Huntington Drive, Suite 202, Monrovia, California 91016 (US). **TAU, Shuo** [CN/US]; 1540 Crater Street, Simi Valley, California 93063 (US). **OLSEN, Nathan** [US/US]; 181 West Huntington Drive, Monrovia, California 91016 (US).

Declarations under Rule 4.17:

- as to applicant's entitlement to apply for and be granted a patent (Rule 4.17(ii))
- as to the applicant's entitlement to claim the priority of the earlier application (Rule 4.17(iii))

[Continued on next page]

(54) Title: ELEVON CONTROL SYSTEM

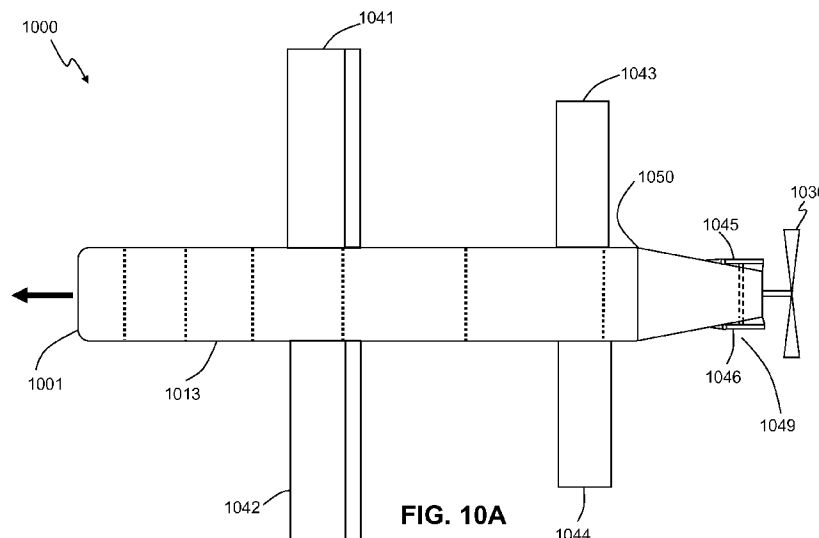


FIG. 10A

(57) Abstract: A system comprising an aerial vehicle or an unmanned aerial vehicle (UAV) (100,400,1000,1500) configured to control pitch, roll, and/or yaw via airfoils (141,142,1345,1346) having resiliently mounted trailing edges opposed by fuselage-house deflecting actuator horns (621,622). Embodiments include one or more rudder elements (1045, 1046,1145, 1146,1245, 1345, 1346,1445, 1446,1545, 1546) which may be rotatably attached and actuated by an effector member (1049,1149,1249,1349) disposed within the fuselage housing (1001) and extendible in part to engage the one or more rudder elements.

WO 2011/066031 A3



Published:

(88) Date of publication of the international search report:

11 August 2011

- *with international search report (Art. 21(3))*
- *before the expiration of the time limit for amending the claims and to be republished in the event of receipt of amendments (Rule 48.2(h))*

A. CLASSIFICATION OF SUBJECT MATTER*B64C 9/34(2006.01)i, B64C 13/18(2006.01)i, B64C 3/38(2006.01)i, B64C 13/28(2006.01)i*

According to International Patent Classification (IPC) or to both national classification and IPC

B. FIELDS SEARCHED

Minimum documentation searched (classification system followed by classification symbols)

B64C 9/34; B64C 3/40; B64C 3/56; F42B 13/32; B64C 3/51

Documentation searched other than minimum documentation to the extent that such documents are included in the fields searched

Korean utility models and applications for utility models

Japanese utility models and applications for utility models

Electronic data base consulted during the international search (name of data base and, where practicable, search terms used)

eKOMPASS(KIPO internal) & Keywords: , ,

C. DOCUMENTS CONSIDERED TO BE RELEVANT

Category*	Citation of document, with indication, where appropriate, of the relevant passages	Relevant to claim No.
A	US 7338010 B2 (CORDER, DAVID A. et al.) 04 March 2008 See column 5, line 9 - column 6, line 30; and figures 6 - 18B.	1-30
A	US 6392213 B1 (MARTORANA, RICHARD T. et al.) 21 May 2002 See column 8, lines 39 - 49, column 9, line 33 - column, line 11; and figures 8(a) - 10(d).	1-30
A	US 04106727A A (ORTELL, ALEXANDER RUDOLPH) 15 August 1978 See column 3, line 3 - column6, line 51; and figures 1 - 15.	1-30
A	US 05671899A A (NICHOLAS, PAUL H. et al.) 30 September 1997 See column 4, line 6 - column 5, line 41; and figures 1 - 10.	1-30
A	US 04364531A A (KNOSKI, JERRY L.) 21 December 1982 See column 4, line 51 - column 5, line 9; and figures 6 - 10.	1-30

 Further documents are listed in the continuation of Box C. See patent family annex.

* Special categories of cited documents:

"A" document defining the general state of the art which is not considered to be of particular relevance

"E" earlier application or patent but published on or after the international filing date

"L" document which may throw doubts on priority claim(s) or which is cited to establish the publication date of citation or other special reason (as specified)

"O" document referring to an oral disclosure, use, exhibition or other means

"P" document published prior to the international filing date but later than the priority date claimed

"T" later document published after the international filing date or priority date and not in conflict with the application but cited to understand the principle or theory underlying the invention

"X" document of particular relevance; the claimed invention cannot be considered novel or cannot be considered to involve an inventive step when the document is taken alone

"Y" document of particular relevance; the claimed invention cannot be considered to involve an inventive step when the document is combined with one or more other such documents, such combination being obvious to a person skilled in the art

"&" document member of the same patent family

Date of the actual completion of the international search

20 JUNE 2011 (20.06.2011)

Date of mailing of the international search report

20 JUNE 2011 (20.06.2011)

Name and mailing address of the ISA/KR

Korean Intellectual Property Office
Government Complex-Daejeon, 189 Cheongsa-ro,
Seo-gu, Daejeon 302-701, Republic of Korea

Facsimile No. 82-42-472-7140

Authorized officer

Kim Jong Yun

Telephone No. 82-42-481-5467



INTERNATIONAL SEARCH REPORT

Information on patent family members

International application No.

PCT/US2010/048323

Patent document cited in search report	Publication date	Patent family member(s)	Publication date
US 7338010 B2	04.03.2008	AU 2005-290315 A1	06.04.2006
		AU 2005-290315 B2	03.07.2008
		CA 2581212 A1	06.04.2006
		CA 2581212 C	12.10.2010
		EP 1799545 A1	27.06.2007
		EP 1799545 B1	01.07.2009
		US 2005-0218260 A1	06.10.2005
		WO 2006-036183 A1	06.04.2006
US 6392213 B1	21.05.2002	AU 2002-230387 A8	29.04.2002
		AU 2002-30387 A1	29.04.2002
		US 2003-0089820 A1	15.05.2003
		US 6576880 B2	10.06.2003
		WO 02-32762 A2	25.04.2002
		WO 02-32762 A3	25.04.2002
		WO 02-32762A3	08.01.2004
		WO 02-32762A9	20.02.2003
US 04106727A A	15.08.1978	None	
US 05671899A A	30.09.1997	None	
US 04364531A A	21.12.1982	None	