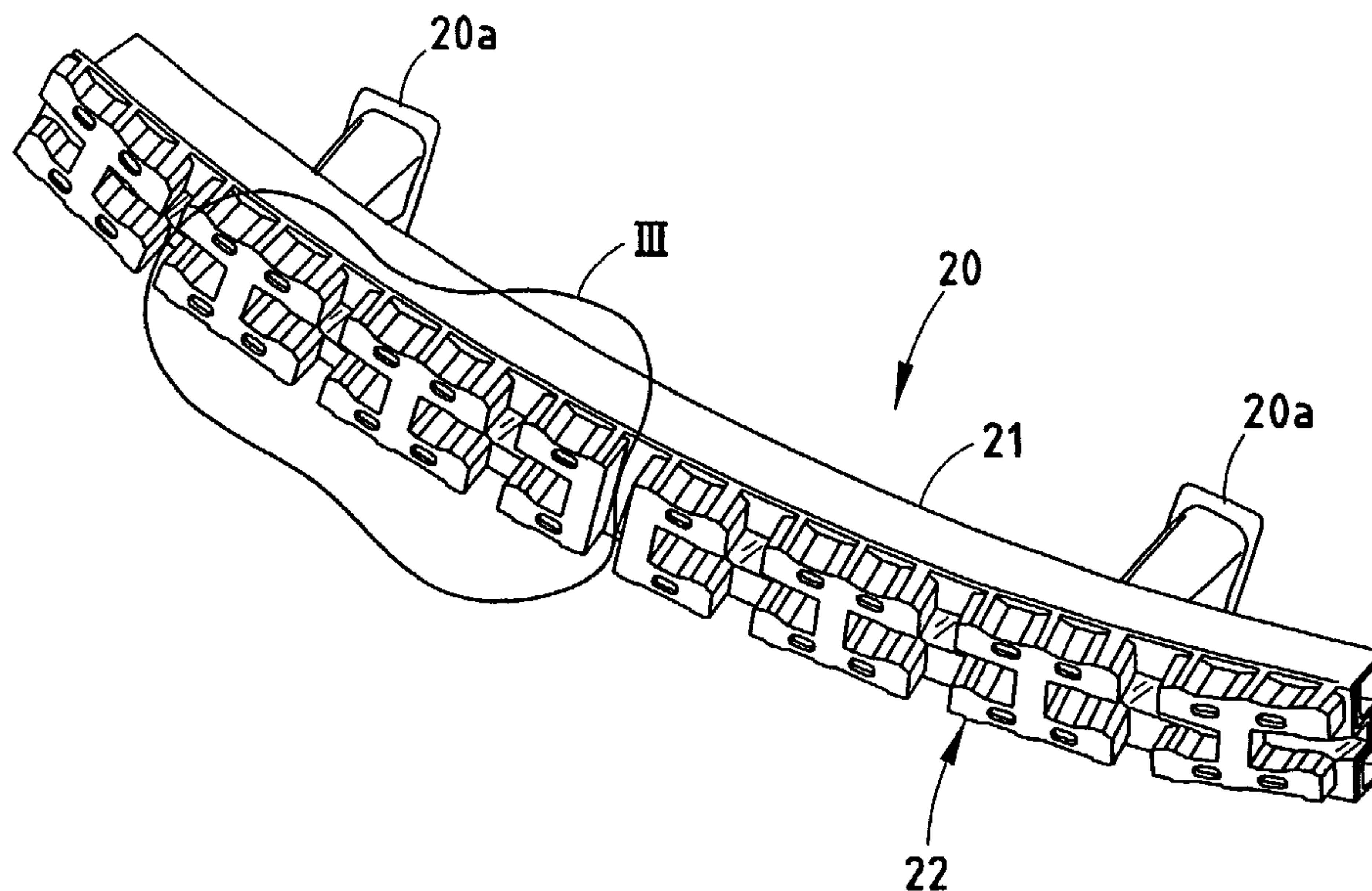




(86) Date de dépôt PCT/PCT Filing Date: 2002/04/04
 (87) Date publication PCT/PCT Publication Date: 2002/11/07
 (85) Entrée phase nationale/National Entry: 2003/10/14
 (86) N° demande PCT/PCT Application No.: US 2002/010672
 (87) N° publication PCT/PCT Publication No.: 2002/087925
 (30) Priorités/Priorities: 2001/04/16 (60/283,969) US;
 2002/02/01 (10/061,670) US

(51) Cl.Int.⁷/Int.Cl.⁷ B60R 19/03
 (71) Demandeur/Applicant:
 NETSHAPE CORPORATION, US
 (72) Inventeur/Inventor:
 EVANS, DARIN, US
 (74) Agent: BORDEN LADNER GERVAIS LLP

(54) Titre : SYSTEME DE PARE-CHOCS AVEC UN AMORTISSEUR MONTE SUR SA FACE
 (54) Title: BUMPER SYSTEM WITH FACE-MOUNTED ENERGY ABSORBER



(57) **Abrégé/Abstract:**

A bumper system (20) for vehicles includes a B-shaped tubular bumper beam (21) with top (23) and bottom (24) mid-walls defining a channel (25) in its front surface (26). A polymeric energy absorber (22) has multiple box-shaped sections (27) that abut the front surface (26) of the bumper beam (21) and further includes rearwardly-extending nose sections (28) that extend into the channel (25). The nose sections (28) include collapse-controlling kick walls (30, 31) that lie along the top (23) and bottom (24) mid-walls and that are connected to the box-shaped sections (27). Upon impact by an object against the bumper system (20), the kick walls (30, 31) press into the top (23) and bottom (24) midwalls, resulting in a consistent and controlled collapse of the energy absorber (22) and tubes of the bumper beam (21).

(12) INTERNATIONAL APPLICATION PUBLISHED UNDER THE PATENT COOPERATION TREATY (PCT)

(19) World Intellectual Property Organization
International Bureau(43) International Publication Date
7 November 2002 (07.11.2002)

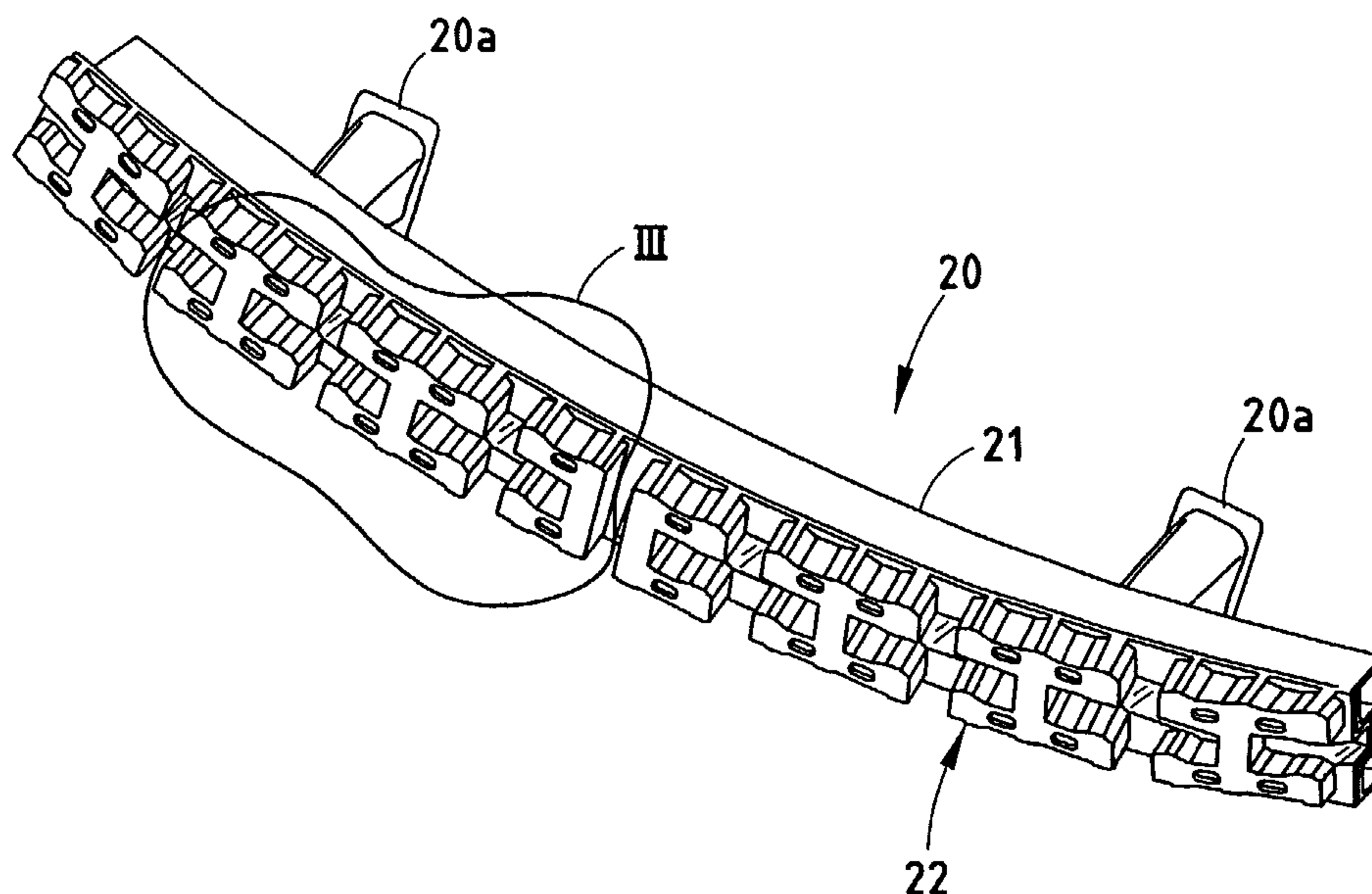
PCT

(10) International Publication Number
WO 02/087925 A1

- (51) International Patent Classification⁷: **B60R 19/03**
- (21) International Application Number: PCT/US02/10672
- (22) International Filing Date: 4 April 2002 (04.04.2002)
- (25) Filing Language: English
- (26) Publication Language: English
- (30) Priority Data:
60/283,969 16 April 2001 (16.04.2001) US
10/061,670 1 February 2002 (01.02.2002) US
- (71) Applicant: **NETSHAPE CORPORATION** [US/US];
1900 Hayes Street, Grand Haven, MI 49418 (US).
- (72) Inventor: **EVANS, Darin**; 2027 Medina Drive, Wixom,
MI 48393 (US).
- (74) Agent: **CARRIER, Robert, J.**; Price, Heneveld, Cooper,
DeWitt & Litton, 695 Kenmoor, S.E., P.O. Box 2567,
Grand Rapids, MI 49501-2567 (US).
- (81) Designated States (*national*): AE, AG, AL, AM, AT, AU, AZ, BA, BB, BG, BR, BY, BZ, CA, CH, CN, CO, CR, CU, CZ, DE, DK, DM, DZ, EC, EE, ES, FI, GB, GD, GE, GH, GM, HR, HU, ID, IL, IN, IS, JP, KE, KG, KP, KR, KZ, LC, LK, LR, LS, LT, LU, LV, MA, MD, MG, MK, MN, MW, MX, MZ, NO, NZ, OM, PH, PL, PT, RO, RU, SD, SE, SG, SI, SK, SL, TJ, TM, TN, TR, TT, TZ, UA, UG, UZ, VN, YU, ZA, ZM, ZW.
- (84) Designated States (*regional*): ARIPO patent (GH, GM, KE, LS, MW, MZ, SD, SL, SZ, TZ, UG, ZM, ZW), Eurasian patent (AM, AZ, BY, KG, KZ, MD, RU, TJ, TM), European patent (AT, BE, CH, CY, DE, DK, ES, FI, FR, GB, GR, IE, IT, LU, MC, NL, PT, SE, TR), OAPI patent (BF, BJ, CF, CG, CI, CM, GA, GN, GQ, GW, ML, MR, NE, SN, TD, TG).
- Published:**
— with international search report
— with amended claims

[Continued on next page]

(54) Title: BUMPER SYSTEM WITH FACE-MOUNTED ENERGY ABSORBER



(57) **Abstract:** A bumper system (20) for vehicles includes a B-shaped tubular bumper beam (21) with top (23) and bottom (24) mid-walls defining a channel (25) in its front surface (26). A polymeric energy absorber (22) has multiple box-shaped sections (27) that abut the front surface (26) of the bumper beam (21) and further includes rearwardly-extending nose sections (28) that extend into the channel (25). The nose sections (28) include collapse-controlling kick walls (30, 31) that lie along the top (23) and bottom (24) mid-walls and that are connected to the box-shaped sections (27). Upon impact by an object against the bumper system (20), the kick walls (30, 31) press into the top (23) and bottom (24) midwalls, resulting in a consistent and controlled collapse of the energy absorber (22) and tubes of the bumper beam (21).



WO 02/087925 A1

WO 02/087925 A1



For two-letter codes and other abbreviations, refer to the "Guidance Notes on Codes and Abbreviations" appearing at the beginning of each regular issue of the PCT Gazette.

BUMPER SYSTEM WITH FACE-MOUNTED ENERGY ABSORBER**BACKGROUND OF THE PRESENT INVENTION**

The present invention relates to automotive bumper systems having beams and energy absorbers located on faces of the beams.

5 Many vehicle designs use energy absorbers positioned on a face or front surface of a steel bumper beam to improve energy absorption of a bumper system. The energy absorbers provide an initial level of energy absorption for low impact, including reducing damage during low impact, and also provide a supplemental level of energy absorption during high impact (i.e. before and at the time that the beam and vehicle
10 begin to absorb substantial amounts of energy). Usually, the energy absorbers are fastened to the bumper beam with fasteners that assure accurate positioning of the energy absorber on the beam. The reasoning includes accurately positioning the energy absorber on the bumper beam to assure consistent performance, as well as to assure accurate positioning for aesthetics and assembly (e.g. to assure a good fit of the front-
15 end fascia over the energy absorber and beam during assembly).

However, improvements are desired in terms of temporary and permanent attachment, and for improved and more reliable energy absorption. Typically, attachment of the energy absorber to bumper beams requires a plurality of mechanical fasteners. This is disadvantageous since mechanical fasteners require manual labor to
20 install, which can add undesirably to cost. Also, the mechanical fasteners can result in localized and non-uniform stress distribution during impact, resulting in inconsistent collapse of the bumper system and poor energy absorption on impact. Further, fixing the energy absorber to the beams results in an inability of the energy absorber to shift and adjust to non-perpendicular and uneven loads transmitted from the impacting bodies.
25 At the same time, depending on the bumper system, sometimes shifting of an energy absorber is not good since it can result in unpredictable, premature and non-uniform collapse, resulting in poor or inconsistent energy absorption by the bumper system.

Improvement is also desired for corner impact structure on bumper systems. Many existing bumper systems require that a front surface of an end of a bumper beam
30 be shaped at an increased angle relative to the front of rest of the bumper beam to match an aerodynamic curvature of the vehicle at its front fender. One way to achieve this is by miter cutting an end of the bumper beam at an angle, and thereafter welding a plate

5 onto the angled end to form a compound-angled flat front surface for supporting an energy absorber such as a foam cushion. Another way is to deform or crush an end of the bumper beam to form an angled front surface. Yet another way is to weld a bracket onto an end of the bumper beam, with the bracket extending longitudinally beyond the bumper beam to form the desired shape. However, all of these alternatives have drawbacks. For example, they each require a secondary operation, result in increased dimensional variation, and require significant investment in capital equipment. Further, they can lead to increased scrap, a substantial increase in manpower and manufacturing time, and substantial increase in inventories and work in process.

10 For all of the above reasons, there is a desire for bumper systems that yield a better, more consistent, more reliable, and greater impact energy absorption, both for low and high impact events, and also for square and skewed impact directions. Also, there is a desire for improvements facilitating assembly of an energy absorber to a beam, with lower cost and fewer parts, and with less labor. Still further, there is a desire for energy absorber designs that allows adjustment and tuning for optimal front end and corner impact strengths, even late in the bumper development program, and yet that do not require expensive or complex molding techniques or assembly techniques nor secondary miter cutting or crush forming bumper end sections. Still further, there is a desire for energy absorber designs that are adaptable for use with many different bumper beam cross-sectional shapes and sizes. Also, energy absorber designs are desired that are flexible and usable on non-linear bumper beams having different curvatures and longitudinal sweeps, and having different cross sections.

SUMMARY OF THE PRESENT INVENTION

25 In one aspect of the present invention, a bumper system for vehicles includes a bumper beam and an energy absorber. The bumper beam has a continuous tubular cross section with top and bottom front walls defining a front surface that extends vertically when the bumper beam is in a car-mounted position and with top and bottom mid-walls defining a longitudinally-extending channel in the front surface between the top and bottom front walls. The energy absorber includes box-shaped sections that abut the front surface of the bumper beam and further includes rearwardly-extending nose sections that extend into the channel. In one form, the nose sections include collapse-controlling kick walls that lie along and abut the top and bottom mid-walls and that are connected to the

30

box-shaped sections so that, upon impact by an object against the bumper system, the kick walls press into the top and bottom mid-walls with increasing force as the object strikes the box-shaped sections with increasing force. This structure results in a controlled flexure and collapse of the box-shaped sections of the polymeric energy absorber and of the top and bottom mid-walls of the bumper beam as a system.

In another aspect of the present invention, a bumper system for vehicles includes a bumper beam and an energy absorber. The bumper beam has a continuous tubular cross section with a front surface that extends vertically when the bumper beam is in a car-mounted position. The bumper beam has mid-walls extending to the front surface that form a longitudinally-extending channel across a middle area of the front surface. The energy absorber includes a rear surface abutting the front surface of the bumper beam. The energy absorber has first, second, third, and fourth parallel walls that extend horizontally, the first parallel wall being at a top location and the fourth parallel wall being at a bottom location. The energy absorber further includes top walls interconnecting the first and second parallel walls to form a top box section, and includes bottom walls interconnecting the third and fourth parallel walls to form a bottom box section. The energy absorber further has a nose section that extends rearwardly of the top and bottom walls into the bumper beam. The nose section includes kick walls that, upon impact against the bumper system, press laterally against the mid-walls of the bumper beam, causing the mid-walls and hence the bumper beam to collapse in a more controlled manner. By this arrangement, the collapse load of the beam is locally controlled for improved consistent collapse and energy absorption.

In another aspect of the present invention, a bumper system for vehicles includes a B-shaped bumper beam with a face and a longitudinally-extending channel in the face, and an energy absorber having energy-absorbing sections engaging the face. The energy absorber further includes at least one nose section connected to the energy-absorbing sections and that extends into the channel.

In still another aspect of the present invention, a bumper system for vehicles includes a bumper beam with a face and a channel in the face, and an energy absorber having first energy-absorbing sections engaging the face. The energy absorber further includes second energy-absorbing sections aligned with the channel, the second energy-absorbing sections being spaced from a bottom of the channel and being configured to

move into contact with the bottom of the channel during an initial phase of an impact against the bumper system and further being configured to absorb energy during a later phase of the impact.

5 In yet another aspect of the present invention, a bumper system for vehicles includes a tubular bumper beam including a front face and open ends, and an energy absorber having a main section engaging the front face and end-covering corner sections connected to the main section that wrap around the open ends and cover the open ends. The corner sections each include walls defining a tubular section that extends in a direction generally perpendicular to a length of the tubular bumper beam, the walls being
10 constructed to absorb energy upon corner impact against the bumper system.

In another aspect of the present invention, a bumper system for vehicles includes a bumper beam having a face, and an energy absorber engaging the face. The energy absorber has a plurality of spaced-apart box-shaped sections and a plurality of interconnecting sections connecting adjacent ones of the box-shaped sections. The box-shaped sections each have a top wall, a bottom wall, a right side wall, a left side wall,
15 and a front wall that combine to form rearwardly-facing open boxes, and the interconnecting sections each have parallel walls extending in horizontal planes between adjacent ones of the right and left side walls and having a rear wall connecting the parallel walls to form a forwardly-open honeycomb structure. Selected ones of the side
20 walls include crush-initiation apertures therein shaped to weaken the box-shaped sections to thus provide desired levels of energy absorption and force-versus-deflection characteristics along particular sections of the energy absorber during vehicle impacts and crashes.

In another aspect of the present invention, a bumper system for vehicles includes
25 a bumper beam having a face defining a forward direction for a vehicle, and an energy absorber engaging the face. The energy absorber, when in a vehicle-mounted position, is symmetrically shaped about a transverse vertical central plane. The energy absorber includes a plurality of parallel walls that define horizontal planes and that extend longitudinally a complete length of the energy absorber except at the central plane, and
30 the energy absorber further includes discontinuous front and rear walls that lie generally parallel the face and that interconnect the parallel walls to form open box-shaped

sections to define an alternating arrangement of forward facing openings and rearward facing openings.

5 In another aspect of the present invention, a bumper system for vehicles includes a bumper beam having a face defining a forward direction for a vehicle and having open ends positioned close to and adapted to partially define front corners of a vehicle. An energy absorber engages the face. The energy absorber, when in a vehicle-mounted position, is symmetrically shaped about a transverse vertical central plane, and has a center section engaging the face and covering the face, and has corner sections covering the open ends of the bumper beam. The corner sections are formed in part by
10 perpendicularly extending walls that form an open honeycomb shaped structure and being formed in part by a crescent shaped flange that extends outwardly from the perpendicularly extending walls.

In another aspect of the present invention, a bumper system for vehicles includes a bumper beam having a face defining a forward direction for a vehicle and having open
15 ends. A pair of mounting brackets are attached to the bumper beam and are adapted to mount the bumper beam on a vehicle, with the mounting brackets each including a forwardly extending portion that extends at least partially over an associated one of the open ends. An energy absorber engages the face. The energy absorber, when in a vehicle-mounted position, is symmetrically shaped about a transverse vertical central
20 plane. The energy absorber includes a pair of corner-forming end sections, each having a box-shaped section located in part between one of the open ends and the associated one of the forwardly extending portions of the mounting brackets.

In another aspect of the present invention, a bumper system for vehicles includes a bumper beam having a face defining a forward direction for a vehicle and having open
25 ends. An energy absorber engages the face. The energy absorber, when in a vehicle-mounted position, is symmetrically shaped about a transverse vertical central plane. The energy absorber includes a center section and a pair of corner-forming sections attached to outer ends of the center section with a recessed area therebetween. A pair of mounting brackets are attached to the bumper beam and adapted to mount the bumper
30 beam on a vehicle. The mounting brackets each include an outwardly extending portion that extends partially into the recessed area to support an associated one of the corner sections of the energy absorber during a corner impact.

In another aspect of the present invention, a method of developing a bumper system for vehicles, comprises steps of providing a bumper assembly including a bumper beam adapted for attachment to a vehicle and an energy absorber attached to the bumper beam, the energy absorber having a face defining a front-to-rear direction, and having a center section and corner-forming end sections, the center section and end sections having a plurality of box-shaped sections defined in part by planar wall sections that extend parallel the front-to-rear direction. The method further includes steps of impacting the bumper assembly with an object to simulate a vehicle crash and collecting impact data, analyzing the impact data and damage to the bumper assembly after the step of impacting, and adjusting impact strengths of individual ones of the box-shaped sections by forming holes and non-uniform apertures in the planar wall sections to reduce strengths of particular box-shaped sections.

In yet another aspect of the present invention, a bumper system for vehicles includes a bumper beam having a continuous tubular cross section with top, bottom, front and rear walls, with the front wall defining a front surface that extends generally vertically when the bumper beam is in a car-mounted position. The front wall includes apertures between the top and bottom front walls. An energy absorber is provided having a main body abutting the front surface and including box-shaped nose sections that extend through the apertures in the front surface of the bumper beam to locations proximate the rear wall. The box-shaped nose sections are configured to provide an initial amount of energy absorption during a vehicle impact and are configured to collapse with the bumper beam during later stages of the vehicle impact.

In yet another aspect of the present invention, a bumper system for vehicles includes a bumper beam having a continuous tubular cross section with top, bottom, front and rear walls, the front wall defining a front surface that extends generally vertically when the bumper beam is in a car-mounted position and the top and bottom walls extending generally horizontally. An energy absorber has a main body abutting the front surface and includes top and bottom flanges with friction pads engaging the top and bottom walls, respectively. The top and bottom flanges are relatively stiff but resilient and oriented to bias the friction pads with sufficient force to generate top and bottom opposing clamping forces on the bumper beam to temporarily retain the energy absorber on the bumper beam during assembly.

These and other aspects, objects, and features of the present invention will be understood and appreciated by those skilled in the art upon studying the following specification, claims, and appended drawings.

BRIEF DESCRIPTION OF DRAWINGS

5 Fig. 1 is a perspective view of a bumper system of the present invention, including a bumper tubular beam and an energy absorber on a face of the bumper beam;

Fig. 2 is a rear perspective view of the energy absorber of Fig. 1;

Fig. 3 is an enlargement of the circled area III in Fig. 1;

10 Figs. 4-6 are cross-sectional views of the bumper system of Fig. 1, Fig. 4 being before impact, Fig. 4A being similar to Fig. 4 but showing the structure needed to avoid die lock during molding, Fig. 5 being at a time of low impact, and Fig. 6 being at a time of high impact, respectively;

15 Figs. 7-7B are fragmentary top views of a prior art bumper system, Fig. 7 showing a bumper beam including an angled miter cut (in dashed lines), Fig. 7A showing a plate welded onto the angled end of the bumper beam, and Fig. 7B showing a foam energy absorber on the bumper beam;

Fig. 8 is a perspective view of another bumper system including a bumper beam and an energy absorber with rearward projections extending through holes in a front surface of the bumper beam;

20 Fig. 9 is a cross sectional view taken along line IX-IX in Fig. 8;

Fig. 10 is a front perspective view of a bumper system including the bumper beam and the energy absorber;

Fig. 11 is a rear perspective view of the energy absorber of Fig. 10; and

25 Figs. 12-14 are front, top and bottom views of the energy absorber of Fig. 11, and Fig. 15 is an enlarged view of the right half of Fig. 12;

Fig. 12A is a front view like Fig. 12, but with a front face of the energy absorber shaded to better show the "box-shaped" areas on the energy absorber;

Figs. 16-20, 22, 24, and 25 are cross sections along the lines XVI-XVI through XX-XX, XXII-XXII, XXIV-XXIV, and XXV-XXV in Fig. 15; and

30 Figs. 21 and 23 are views similar to Figs. 20 and 22, but after being deformed after impact.

DETAILED DESCRIPTION OF PREFERRED EMBODIMENTS

The present invention is described as utilizing a B-shaped double-tube bumper beam that is rollformed and swept. The present B-shaped bumper beam is sufficiently described herein for a person skilled in the art to understand and practice the present invention, but it is noted that the process and method of making the illustrated B-shaped bumper beam is described in greater detail in Sturuss patent US 5,454,504, if the reader desires such information. It is specifically contemplated that the present invention could be used in combination with a bumper beam having a shallower channel instead of the deep channel illustrated. For example, it is contemplated that the present invention could be made to work on a D-shaped bumper where the bumper beam had a channel extending significantly into a front face of the bumper beam but where the channel does not extend completely to a rear wall of the bumper beam. On the merits, the teachings of patent 5,454,504 are incorporated herein in its entirety for the purpose of providing a complete disclosure of the entire bumper system.

Bumper system 20 (Fig. 1) includes a bumper beam 21 attached to a vehicle, and an energy absorber 22 attached to a face of the bumper beam 21. The illustrated bumper beam 21 is attached by brackets 20A. Crush towers can also be used to mount the bumper beam. The illustrated beam is rollformed and swept (see Sturuss patent US 5,454,504) and has a continuous B-shaped double-tubular cross section (Fig. 3). The double tubes are spaced vertically apart and include top and bottom mid-walls 23 and 24 defining a longitudinally-extending channel 25 along its front surface. A polymeric energy absorber 22 has a length with multiple top and bottom box-shaped sections 27 and 27' (not all being the same size or length) that abut the front surface 26 of the bumper beam 21. The energy absorber 22 further includes a plurality of rearwardly-extending nose sections 28 that extend into the channel 25. The nose sections 28 are trapezoidally-shaped to fit mateably into the channel 25, and extend about 50% to 60% of the way to a bottom of the channel 25. Where desired, the nose sections 28 include detents or are shaped to provide sufficient frictional engagement to temporarily retain the energy absorber 22 on the bumper beam 21. The illustrated nose sections 28 include collapse-controlling kick walls 30 and 31 that lie along and abut the top and bottom mid-walls 23 and 24 of the bumper beam 21. The kick walls 30 and 31 are non-parallel and are connected to the box-shaped sections 27 and 27' so that, upon impact by an object

against the bumper system, the kick walls 30 and 31 bend in a predictable and preplanned manner and press into the top and bottom mid-walls 23 and 24. During high impact (see Figs. 3 and 4), the kick walls 30 and 31 press with increasing force, resulting in a more consistent and controlled flexure and collapse of the box-shaped sections 27 of the polymeric energy absorber 22 and of the tube sections of the metal bumper beam 21 as a system. The nose sections 28 are trapped within the channel 25, which eliminates the problem of the energy absorber sliding vertically off a face of the bumper beam (which is a problem in some bumper systems using an energy absorber mounted to a face of a bumper beam).

The B-shaped section of the bumper beam 21 includes, in addition to top and bottom mid-walls 23 and 24, a top wall 34, a front upper wall 35, a bottom wall 36, a front lower wall 37, a rearmost rear wall 38 and a channel-forming rear wall 39. The top tube of the bumper beam 21 is formed by the walls 23, 34, 35, and 38. The bottom tube of the bumper beam 21 is formed by the walls 24, 36, 37, and 38. The top and bottom tubes are interconnected by rear walls 38 and 39. Each of these walls 23-24 and 34-39 can be flat or non-flat. For example, in some bumper systems (such as the illustrated walls 23-24), it has been found to be beneficial to make the horizontal walls 23, 24, 34, and 36 slightly bent or curved, both for purposes of providing a bumper beam that is less likely to prematurely kink and more likely to reliably and consistently bend, but also for the purpose of ease of manufacture of the bumper beam. As illustrated, the mid-walls 23 and 24 include front portions that are angled to create a tapered throat into which the nose sections 28 of the energy absorber 22 tend to move upon impact. The mid-walls 23 and 24 also include relatively flat rear portions that are generally parallel. It is noted that, upon a low force impact, the energy absorber 22 may move partially into this throat (see Figs. 4-6) and, if sufficient energy is absorbed during the low energy impact, may return to an original shape without substantial deformation or damage to the vehicle or the bumper system.

The energy absorber 22 (Fig. 3) is a molded component of non-foam polymer, such as a blend of PC/ABS/PBT. For example, it is contemplated that General Electric's XENOY polymer will work for this purpose. As noted above, the energy absorber 22 includes top and bottom box-shaped sections 27 and 27' that abut a front of the front walls 35 and 37. The top box-shaped sections 27 engaging the top front wall

35 can be shaped slightly different than the bottom box-shaped sections 27' that engage the bottom front wall 37, if desired, but in the presently disclosed preferred embodiment, they are similar in size and shape to better assure a uniform and balanced collapse upon impact. The top box-shaped sections 27 include a front wall 41, open rear area 42, top wall 43 and bottom wall 44, as well as end walls 45 and 46 that tie the walls 41, 43-44 together. The bottom box-shaped sections 27' include similar walls 41'-46'. Walls 46A, 46B, and 46C extend between and interconnect the top and bottom box-shaped sections 27 and 27'. It is noted that the top and bottom walls 43, 44, 43', and 44', when viewed from a position in front of the bumper system, can be wavy or otherwise non-linear and non-flat in shape. This provides the top and bottom walls 43, 44, 43', and 44' with increased strength for resisting buckling, and also helps eliminate distortions such as snaking that occur when molding a long part. It is also noted that the surfaces defined by the front walls and rear areas 41, 42, 41', and 42' (and potentially the top and bottom walls 43, 44, 43' and 44') are discontinuous and further include apertures to prevent die lock when molding. (*i.e.* They include apertures to allow mold tooling to pass through the plane of one wall to form another wall.) In a preferred form, the apertures are sufficient in size so that the molding dies do not require slides or pulls. In other words, the energy absorber 22 can be made by using hard male and female molds, neither of which require secondary movable die components for creating blind surfaces.

The nose sections 28 (Fig. 4) include kick walls 30 and 31, and further include a connector wall 48 that interconnects the leading (rear-most) ends of the kick walls 30 and 31. The connector wall 48 is located halfway into channel 25 so that it acts as a guide during impact to guide the leading ends of the kick walls 30 and 31 into the channel 25. Specifically, the connector wall 48 is positioned about 30% to 80% of the way into the channel 25, or more particularly about 50% to 60% into the channel 25. This results in the energy absorber 22 being able to absorb significant energy, such as may be incurred in a low energy impact. Specifically, in a low energy impact (Fig. 4), the energy absorber 22 absorbs a majority of the energy of the impact energy, and the energy absorber 22 and the bumper beam 21 do not permanently deform. In an intermediate energy impact (Fig. 5), the energy absorber 22 deforms substantially, potentially taking on a permanent deformation. However, the bumper beam 21 deflects

and absorbs energy, but the mid-walls 23 and 24 only temporarily flex and do not permanently deform. In a high-energy impact (see Fig. 6), the kick walls 30 and 31 cause the mid-walls 23 and 24 to buckle as they approach a maximum amount of deflection. Both the energy absorber 22 and the bumper beam 21 permanently deform.

5 The point of buckling is designed into the bumper system 20 to cause a two-step collapse (Figs. 5-6) so that a maximum amount of energy is absorbed without damaging the vehicle, while considering all relevant factors such as preferred de-accelerations, occupant safety, government standards, and the like.

10 The top kick wall 30 (Fig. 4) includes a root region 50 that connects to the bottom wall 44 of the top box section 27, and the bottom kick wall 31 includes a root region 51 that connects to the top wall 43' of the bottom box section 27'. This direct connection allows the nose section 28 to react quickly and directly to an impact, because the impact energy is transferred directly through the bottom wall 44 of the box section 27 to the kick wall 30, and because the impact energy is transferred directly through the top wall
15 43' of the bottom box section 27' to the kick wall 31. Due to walls 42, the natural flow of material at 50 and 51 during impact cause the material to move into walls 30 and 31 along directions A and B, respectively (see Fig. 5).

20 A top flange 53 (Fig. 4) extends rearwardly from the top box section 27, and a bottom flange 54 extends rearwardly from the bottom box section 27'. The flanges 53 and 54 engage top and bottom surfaces on the bumper beam 21. Optionally, the flanges 53 and 54 can include attachment tabs or hooks for engaging apertures or features in the bumper beam 21 for retaining (temporarily or permanently) to the bumper beam 21. The illustrated flanges 53 and 54 include fingertip-like pads 53' and 54' that frictionally engage top and bottom surfaces of the bumper beam 21. These frictional flanges 53 and
25 54 are advantageous in that all (or most) fasteners can be eliminated. It is also noted that hooks may extend through holes in the faces 35 and 37 of the bumper beam 21 and retain the energy absorber 22 on the beam 21.

30 It is noted that the present arrangement (see Figs. 3 and 4-6) "reverses" the B-shaped cross section of the bumper beam 21 relative to the vehicle that it is attached to, which creates a usable energy absorbing crush space within the channel of the bumper beam 21. Previously, B-shaped bumper beams were typically used with the flat side of the B shape facing forwardly and supporting the energy absorber. However, with the

flat side of the B shape facing forwardly, the known energy absorbers can only collapse against the flat side. Thus, energy absorption is more limited than in the present design. Specifically, the present arrangement of Figs. 4-6 provides for a more controlled and predictable two-stage energy absorption upon impact, because the energy absorber kick walls 30 and 31 stabilize the walls 23 and 24 of the bumper beam 21 during initial
5 impact. Further, the arrangement causes the nose section 28 to slide into the channel of the bumper beam 21, providing an intermediate step of energy absorption, which helps in reading sensor outputs for sensing impacts, such as are used for air bag deployment. Still further, it is believed to be novel to utilize wall structure in an energy absorber to
10 "kick" out and cause predictable collapse of a steel bumper beam (see Fig. 6), as in the present invention described above.

It is contemplated that corner sections can be molded onto ends of the energy absorber 22 or integrally formed as part of the energy absorber. Advantageously, the corner sections can be specifically designed to satisfy a variety of functional and
15 aesthetic conditions. For example, the corner sections can be square-shaped and can be molded with any amount of wall thickness and ribs desired, such that substantially increased amount of corner impact loading can be successfully dissipated by the corner section. Alternatively, a different polymeric material can be molded onto ends of the energy absorber to create the corner section, such as a glass reinforced stiffer polymeric
20 material.

Figs. 8-9 show a bumper system 200 including a D-shaped single-tube bumper beam 201 supported on mounting towers 202, and an energy absorber 203 that functions similar to the bumper beam 20 and energy absorber 21 discussed above. The bumper beam 201 includes two spaced apertures 204 in its front surface 205, and the energy
25 absorber 203 includes rearwardly projecting nose sections 206 that project through the apertures 204 and that extend to the rear wall 207 of the bumper beam 201. The illustrated nose sections 206 abut the rear wall 207, but it is noted that they can terminate short of the rear wall 207 to provide a stepped crush stroke that provides different levels of energy absorption at different impact stroke depths. It is contemplated that more or less apertures 204 and nose sections 206 can be used. During a vehicle
30 impact, the nose sections 206 provide an initial level of impact strength and energy absorption. As the impact stroke increases, the nose sections 206 buckle outwardly, and

engage top and bottom walls of the bumper beam 201. An advantage of the bumper system 200 is that it provides good localized control and a consistent and repeatable energy absorption over energy absorption during impact.

Prior art (Figs. 7-7B) includes a B-shaped bumper beam 221, miter cut at an angle along a line 222, with a flat plate 223 welded onto the cut end to provide an extended flat front surface having an increased angle at the miter cut end. A foam energy absorber 224 is positioned against the flat front surface of the bumper beam 221, and extends onto the flat plate 223. The arrangement below eliminates the need to miter cut ends of a bumper beam, which is advantageous because miter cutting is an expensive secondary operation that takes time, money, equipment, and results in increased inventories. The invention described below eliminates the miter cutting and secondary operations needed in the bumper system 221/222.

MODIFICATION

Bumper system 100 (Fig. 10) includes a B-shaped bumper beam 101 and an energy absorber 102 attached to the beam's "flat" front face. The energy absorber 102 incorporates box-shaped sections similar to the concept of the energy absorber 22 previously described, but does so in a manner permitting the energy absorber 102 to be used on the "flat" side of the B-shaped bumper beam 101 (i.e. the side of the B-shaped bumper beam 101 that does not have a channel formed in it (see Figs. 18 and 20)), as described below. Also, the energy absorber 102 can be used on a D-shaped or single tube bumper beam.

The bumper beam 101 has the same shape and walls as the bumper beam 21, except that the bumper beam 101 has an opposite longitudinal curvature for matching an aerodynamically-shaped curved front of a vehicle. In the beam 101, the longitudinal curvature places the "flat" surface 103 (Fig. 20) on a front side of the bumper beam 101, and the two tube sections 104 and 105 and the channel 106 therebetween on a rear side of the beam 101. Two mounting brackets or plates 107 and 108 (Fig. 10) are attached to the tube sections 104 and 105. The mounting plates 107 and 108 each have a flat plate section 109 that engages and is welded to a back side of the tube sections 104 and 105. A section 110 (Fig. 13) extends from the mounting plates 107 and 108 at a location about 1 inch to 1-1/2 inches from an end of the tube sections 104 and 105. The sections 110 each include an outer leg 112 that extends rearward of the plate section

109, generally at a corner of the vehicle. It is contemplated that the mounting plates 107 and 108 can have a forward loop 111 that partially covers an end surface of the energy absorber if desired (see Fig. 25). Coplanar flanges 113 and 114 (Fig. 13) extend from the rear/outer ends of the brackets 107 and 108. It is noted that other mounting systems
5 can be used for vehicle attachment on the present bumper system if desired.

The energy absorber 102 is symmetrical about a centerline 115 (Fig. 12A), with each half of the energy absorber 102 including four box-shaped sections 117-120, each being interconnected by longitudinally-extending walls, as described below. The box-shaped section 117 (Fig. 12A) is adjacent the centerline 115 and includes a front face
10 wall 121, a top wall 122, a bottom wall 123, an inboard sidewall 124 and an outboard sidewall 125. A rear of the box-shaped section 117 is open and the walls 122-125 have draft angles, so that the box-shaped section 117 can be formed on molding dies that do not require die pulls or other moving parts for forming blind surfaces. Two large
15 “crush-initiator” apertures 126 (Fig. 15) are formed in the inboard sidewall 124 to weaken the box-shaped section 117, to provide for an optimal crush stroke upon impact against the bumper system 100 and specifically to provide for optimal energy absorption during the crush stroke. The illustrated apertures 126 are each about 1/3 of a total height of the inboard sidewall 124 (see Fig. 18), are located at a top third and a bottom third of the sidewall 124, and extend to a full depth of the sidewall 124. Different shapes of
20 apertures can be used. The illustrated apertures 126 are not rectangular, but instead have at least one curved edge 126', which is designed to initiate a controlled crush during an impact for optimal energy absorption during impact, and which is also designed to facilitate molding. A strip of material between the apertures 126 and also the strips of material above and below the apertures 126 form the structure of sidewall
25 124. Apertures 127 (Fig. 15) are also formed on the front face wall 121 as desired, such as to reduce mass, improve tooling, and provide clearances and attachments to fascia. The outboard sidewall 125 has a C-shaped profile (when viewed in a car-mounted position), and has a vertical center portion 128 that is located closer to the centerline 115 than the upper and lower portions. A top angled portion 129 of the front face wall 121
30 slopes rearwardly from a remainder of the vertical front face wall 121, which is more vertically oriented, but not perfectly vertical.

The box-shaped section 118 (Fig. 12A) is adjacent the box-shaped section 117 and includes a front face wall 131, a top wall 132, a bottom wall 133, an inboard sidewall 134 and an outboard sidewall 135. The box-shaped section 118 is about double a width of the box-shaped section 117 (in a longitudinal direction), and the inboard sidewall 135 is C-shaped to a longitudinal width about double the dimension of the C-shape of the outboard sidewall 124 of the center box-shaped section 117. Also, a top angled portion 139 of the front face wall 131 has a vertical dimension that is slightly less than the top angled portion 129 of the center box-shaped section 117, so that the combined front face of the energy absorber matches a shape of the fascia panel placed on it. The outboard sidewall 135 (Fig. 17) has three apertures 136 that are similar to the apertures 126 found in the sidewall 124 described above, with the exception that one of the apertures 136 is formed in each third of the outboard sidewall 135.

The box-shaped section 119 (Fig. 12A) is adjacent the box-shaped section 118 and includes a front face wall 141, a top wall 142, a bottom wall 143, an inboard sidewall 144 and an outboard sidewall 145. The box-shaped section 119 is about 2/3 of a width of the box-shaped section 118 (in a longitudinal direction). The inboard and outboard sidewalls 144 and 145 are relatively flat (i.e. are not C-shaped). Also, a top angled portion 149 of the front face wall 141 has a vertical dimension that is slightly less than the top angled portion 139 of the box-shaped section 118, so that the combined front face of the energy absorber matches a shape of the fascia panel placed on it. The inboard and outboard sidewalls 144 and 145 each have two apertures 146 (Fig. 20) that are similar to the apertures 126 found in the sidewall 124 described above, with the exception that the inboard sidewall 144 also has a center aperture 146.

The box-shaped section 120 (Fig. 12A) is adjacent the box-shaped section 119 and includes a front face wall 151, a top wall 152, a bottom wall 153, an inboard sidewall 154 and an outboard sidewall 155. The box-shaped section 120 is about equal in width to the box-shaped section 117 (in a longitudinal direction). The inboard and outboard sidewalls 154 and 155 are relatively flat (i.e. are not C-shaped). Also, the front face wall 151 extends to a top of the box shaped section 120, and there is not a top angled portion like the other box-shaped sections 117-119. The inboard sidewall 154 has two apertures 156 that are similar to the apertures 126 found in the sidewall 124 described above. The illustrated box-shaped section 120 is actually divided into

vertically-spaced-apart halves, and consistent with that the front face wall 151 and also the inboard and outboard sidewalls 154 and 155 are actually divided into top and bottom halves, with the center section being entirely open except for a vertical stabilizing rib 157.

5 The illustrated box-shaped sections 117-120 are connected together by interconnecting “honeycomb-shaped” structures in the form of four horizontal ribs 160-163 (Fig. 12A) that are spaced equally apart in a vertical direction. It is contemplated that the box-shaped sections 117-120 can be connected together by different arrangements and still incorporate many of the advantages of the present energy
10 absorber. The top rib 160 and the bottom rib 163 extend continuously from end to end of the energy absorber 102. The middle two ribs 161 and 162 also extend end to end of the energy absorber 102, with the exception that the middle ribs 161 and 162 are discontinued near the centerline 115 and do not connect the two center box-shaped sections 117. Also, the ribs 161 and 162 connect the top and bottom legs of the C-
15 shaped inner portion of walls 125 and 134. The box-shaped sections 117-120 are also connected together by a rear wall 164. The rear wall 164 completely covers a rear of the energy absorber 102, with the exception that an opening is formed in the rear wall 164 at each of the box-shaped sections 117-120 to facilitate tooling and prevent a die lock condition. The rear wall 164 not only ties the sections 117-120 together, but also
20 forms vertical straps that tie the top and bottom walls together to prevent the top and bottom walls from spreading apart during an impact. This also eliminates the need for top and bottom fasteners.

A top flange 170 (Fig. 13) and a bottom flange 171 (Fig. 14) are formed on top and bottom edges of the rear wall 164. The flanges 170 and 171 wrap onto tops and
25 bottoms of the bumper beam 101. Fingertip-like pads 172 are formed on the flanges 170 and 171 for engaging mating areas on the top surface and on the bottom surface of the bumper beam 101 to temporarily frictionally retain the energy absorber 102 on the bumper beam 101. Also, hooks 173 (Figs. 10-11) are formed on tabs that extend from (and co-planar with) the top and bottom walls 122, 123, 132, 133, 142, 143, 152, and
30 153. The hooks 173 are shaped to engage mating holes in a front face of the bumper beam 101. The hooks 173 (and also flanges 53-54) provide an opportunity for “blind” snap-attachment, such as when an operator has preassembled an energy absorber to a

fascia, and then attaches the assembled absorber/fascia as a unit to a vehicle front. In such event, the fascia prevents the operator from attaching the absorber to a bumper beam.

5 The energy absorber 102 (Fig. 11) includes integrally-formed end sections 180 and 181 that are symmetrically shaped and that are optimally shaped to form end-located crush boxes for energy absorption upon corner impact to a vehicle. The end sections 180 and 181 each include a vertical rib 182 (Fig. 12A) that transversely crosses and connects to the horizontal ribs 160-163 to form a honeycomb shape. The outboard sidewall 155 is extended rearwardly so that it substantially covers the open end of the tube sections on the bumper beam 101. Also, the rear wall 164 is extended at a location 10 164' (Figs. 22, 24, and 25) from the outboard sidewall 155 to form a rearwardly extending box 164'' (Fig. 25) that fits adjacent an end of the bumper beam. It is noted that the mounting brackets 107 and 108 can include a forward loop 111 that holds the box 164'' in place against an end of the bumper beam, if desired. A crescent-shaped 15 flange 183 extends coplanar with the face front walls 121, 131, 141, and 151. The flange 183 is stiff but flexible, such that it does a good job of supporting front-end fascia, such as RIM urethane fascia, placed on it. At the same time, the flange 183 is flexible for flexing during a corner impact on a vehicle, thus reducing damage to the vehicle.

20 The illustrated top and bottom walls 122, 123, 132, 133, 142, 143, 152, and 153 are wave-shaped or corrugated in shape to facilitate molding and strength. The illustrated walls of the box-shaped sections 117-120 and walls 160-163 and adjacent areas are about 2 mm thick, while the walls of the end sections 180 and 181 are about 3 to 4 mm thick. (Compare Figs. 16-20 to the Figs. 22-25.) However, it is contemplated 25 that the walls and thickness can be made any thickness, including localized variations made to optimize the energy absorption. Since the mold dies are relatively non-complex (since pulls and movable components for making blind surfaces are not required), the walls can be made thicker relatively easily by grinding away metal in the molding dies. Also, the apertures can be made smaller by grinding away metal, such that the 30 crush/impact strength can be closely and accurately controlled, and also can be carefully adjusted and tuned to react to the actual results of vehicle crash testing during bumper development for a particular model vehicle. For example, by reviewing the energy

absorber 102 and bumper beam 101 after an impact (compare Figs. 20 and 22 which are before impact, and Figs. 21 and 23 which are after impact), intelligent decisions can be made regarding what areas of the energy absorber 102 require additional strength, and what areas need to be weakened. For example, by changing a shape of the curved edge of the apertures 126, 136, 146 and 156, a different energy absorption curve results on a force vs deflection graph of a vehicle impact. Specifically, the rates of increase in energy absorption can be controlled and more accurately adjusted while “tweaking” and fine-tuning the energy absorber 102. Substitution of different material blends in the energy absorber 102 also can help.

In particular, it is noted that the end sections 180 and 181 of the present energy absorber 102 form integral box-shaped sections that provide a very consistent and strong corner impact strength. The honeycomb shape formed by ribs 160-163 and ribs 153 and 182 along with the crescent-shaped flange 183 and the interaction of the end sections 180-181 with the J-shaped section 110 of the mounting bracket 107 and 108 and the end of the tube sections 104 and 105 of the bumper beam 101 are important aspects of the present invention. Also, an important inventive aspect is the concept of fine-tuning the energy absorber 102 by changing wall thicknesses and providing apertures of different sizes to optimize a bumper system.

Yet another important feature of the present illustrated design of the energy absorber 102 is shown by the offset 163A in lower wall 163, which connects the front and rear portions 163B and 163C of wall 163. During impact, the front portion 163B telescopes overlappingly onto the rear portion 163C, with the offset 163A wrapping back upon itself and between the portions 163B and 163C. This “wrapping” action provides high energy absorption and a very consistent and predictable collapse, which is very desirable in energy absorbers.

It is to be understood that variations and modifications can be made on the aforementioned structure without departing from the concepts of the present invention, and further it is to be understood that such concepts are intended to be covered by the following claims unless these claims by their language expressly state otherwise.

Further, it is to be understood that methods related to the above concepts are believed to be within a scope of the present invention.

The invention claimed is:

1. A bumper system for vehicles comprising:

5 a bumper beam having a continuous tubular cross section with top and bottom front walls defining a front surface that extends vertically when the bumper beam is in a car-mounted position and that includes top and bottom mid-walls defining a longitudinally-extending channel in the front surface between the top and bottom front walls; and

10 an energy absorber including box-shaped sections that abut the front surface of the bumper beam and further including rearwardly-extending nose sections that extend into the channel, the nose sections including collapse-controlling kick walls that lie along and abut the top and bottom mid-walls and that are connected to the box-shaped sections so that, upon impact by an object against the bumper system, the kick walls press into the top and bottom mid-walls with increasing force as the object strikes the box-shaped sections with increasing force, the result being controlled flexure and collapse of the
15 box-shaped sections of the polymeric energy absorber and of the top and bottom mid-walls of the bumper beam as a system.

20 2. The bumper system defined in claim 1, wherein the bumper beam defines a B-shaped cross section.

3. The bumper system defined in claim 1, wherein the box-shaped sections of the energy absorber include wave shaped walls that extend in a longitudinal direction.

25 4. The bumper system defined in claim 1, wherein the kick walls of each box-shaped section include top and bottom kick walls that extend at an angle to one another.

30 5. The bumper system defined in claim 1, wherein the kick walls are not linear in a front-to-rear direction when in a car-mounted position, but instead are bent to provide an improved and more consistent "kicking" action into the top and bottom mid walls during impact.

6. The bumper system defined in claim 1, wherein the box sections are discontinuous along a length of the bumper beam, and the energy absorber includes interconnection sections connecting adjacent ones of the box sections.

5 7. The bumper system defined in claim 1, wherein the box sections each include longitudinally-extending upper and lower walls and also include end walls that interconnect and stabilize the upper and lower walls.

10 8. The bumper system defined in claim 1, wherein the energy absorber includes interconnecting sections that connect adjacent ones of the box-shaped sections and that abut the bumper beam.

15 9. The bumper system defined in claim 1, wherein the box-shaped sections each include upper and lower walls that are generally parallel, but that are not flat for improved controlled collapse upon impact.

20 10. The bumper system defined in claim 1, wherein the box-shaped sections include upper and lower box-shaped sections with a space provided between the top and bottom box sections for improved collapse.

11. The bumper system defined in claim 1, wherein some of the box-shaped sections include a top edge flange that frictionally engages the bumper beam and stabilizes the energy absorber on the bumper beam.

25 12. The bumper system defined in claim 11, wherein the top edge flange overlaps onto and frictionally engages a top surface of the bumper beam.

30 13. The bumper system defined in claim 1, wherein some of the box-shaped sections include a bottom edge flange that frictionally engage the bumper beam and stabilizes the energy absorber on the bumper beam.

14. The bumper system defined in claim 1, wherein the energy absorber includes walls all formed without blind surfaces, such that the energy absorber can be made without molding dies having secondary moving components for forming blind surfaces.

5 15. The bumper system defined in claim 1, wherein the nose sections frictionally engage the channel in the bumper beam.

16. The bumper system defined in claim 15, wherein the nose sections include detents for frictionally engaging the bumper beam.

10

17. The bumper system defined in claim 1, wherein the energy absorber includes top and bottom edge flanges for frictionally engaging top and bottom surfaces of the bumper beam.

15

18. The bumper system defined in claim 1, wherein the energy absorber includes interconnecting sections that interconnect adjacent ones of the box sections and that provide some longitudinal flexibility of the energy absorber so that the energy absorber can be flexed to match a longitudinally curved shaped of the bumper beam.

20

19. The bumper system defined in claim 1, wherein the bumper beam includes a beam end, and the energy absorber includes an end section with a front surface that extends at an acute angle to the beam end.

25

20. The bumper system defined in claim 1, wherein a center portion of the energy absorber is made from a first material, and the end section of the energy absorber is made of a second material different than the first material, the first material being selected to optimize the energy absorber for corner impact strength.

30

21. The bumper system defined in claim 1, wherein the nose sections terminate short of a bottom of the channel and do not extend to the bottom of the channel, which results in an initial energy absorption stroke before the nose sections bottom out in the channel.

22. A bumper system for vehicles comprising:

a bumper beam having a continuous tubular cross section with a front surface that extends vertically when the bumper beam is in a car-mounted position, the bumper beam having mid-walls extending to the front surface that form a longitudinally-extending
5 channel across a middle area of the front surface; and

an energy absorber including a rear surface abutting the front surface of the bumper beam, the energy absorber having first, second, third, and fourth parallel walls that extend horizontally, the first parallel wall being at a top location and the fourth parallel wall being at a bottom location, the energy absorber further including top front
10 and rear walls interconnecting the first and second parallel walls to form a top box section, and including bottom front and rear walls interconnecting the third and fourth parallel walls to form a bottom box section, the energy absorber further having a nose section that extends rearwardly of the top and bottom rear walls into the bumper beam, the nose section including kick walls that, upon impact against the bumper system, press
15 laterally against the mid-walls of the bumper beam, causing the mid-walls and hence the bumper beam to collapse in a more controlled manner.

23. The bumper system defined in claim 22, wherein the kick walls include top and bottom kick wall that extend in non-parallel directions.

24. The bumper system defined in claim 22, wherein the kick walls are non-flat.

25. The bumper system defined in claim 22, wherein the nose sections extend into the channel about 30% to 80% of a depth of the channel.

26. The bumper system defined in claim 25, wherein the nose sections extend into the channel about 50% to 60% of a depth of the channel.

27. The bumper system defined in claim 22, wherein the energy absorber includes end-of-bumper sections having front surfaces that extend at an acute angle to a front
30 surface of the remaining portion of the energy absorber.

28. The bumper system defined in claim 22, wherein the energy absorber includes end-of-bumper sections made of a first material different than a remaining material of the energy absorber, the first material being stiffer and selected to optimize a corner impact strength of the bumper system.

5
29. A bumper system for vehicles comprising
a B-shaped bumper beam with a face and a longitudinally-extending channel in the face; and

10
an energy absorber including energy-absorbing sections engaging the face and including at least one nose section connected to the energy-absorbing sections and that extends into the channel, wherein the nose sections include angled sidewalls that engage mating walls of the channel, the sidewalls of the nose sections being configured to wedgingly engage and kick the mating walls of the channel laterally apart upon impact.

15
30. The bumper system defined in claim 29, wherein the nose sections terminate short of a bottom of the channel and define a space with the bottom of the channel.

20
31. A bumper system for vehicles comprising
a bumper beam with a face and four-sided openings in the face; and
an energy absorber including first energy-absorbing sections engaging the face and including second energy-absorbing sections aligned with the openings, the second energy-absorbing sections being proximate a bottom of the openings and being configured to move into contact with the bottom of the openings during an initial phase of an impact against the bumper system and further being configured to absorb energy during a later phase of the impact.

25
32. A bumper system for vehicles comprising:
a tubular bumper beam including a front face and open ends; and
an energy absorber including a main section engaging the front face and
30 including end-covering corner sections connected to the main section that wrap around the open ends and cover the open ends, the corner sections each including perimeter walls defining a tubular section that extends in a direction generally perpendicular to a

PCT/US02/10672 06112002

PGT/US 2710672
PEAU 06 NOV 2002

length of the tubular bumper beam and that are constructed to optimally absorb energy upon corner impact against the bumper system, and further including stiff planar flanges extending in cantilever from outboard ends of the corner sections and extending coplanar with front walls of the corner sections for supporting fascia off ends of the energy absorber and for providing flexible support to reduce damage from corner impacts.

5 33. The bumper system defined in claim 32, wherein the corner sections include a reinforcing rib located inside the tubular section of the corner sections, the reinforcement rib extending in a direction of a corner impact against the bumper system.

10 34. The bumper system defined in claim 32, wherein the perimeter walls define a box and include a flange generally aligned and extending parallel the front wall and that extends longitudinally from the corner sections.

15 35. A bumper system for vehicles comprising:
a bumper beam having a face; and
an energy absorber engaging the face, the energy absorber having a plurality of spaced-apart box-shaped sections and a plurality of interconnecting sections connecting adjacent ones of the box-shaped sections, the box-shaped sections each having a top wall, a bottom wall, a right side wall, a left side wall, and a front wall that combine to form rearwardly-facing open boxes, and the interconnecting sections each having parallel walls extending in horizontal planes between adjacent ones of the right and left side walls and having a rear wall connecting the parallel walls to form a forwardly-open honeycomb structure, selected ones of the side walls including crush-initiating apertures therein shaped to weaken the box-shaped sections to thus provide desired levels of energy absorption and force-versus-deflection characteristics along particular sections of the energy absorber during vehicle impacts and crashes.

20 36. The bumper system defined in claim 35, wherein some of the top and bottom walls are undulated and non-planar.

37. The bumper system defined in claim 35, wherein some of the sidewalls are C-shaped.

5 38. The bumper system defined in claim 35, wherein the front walls include a main portion that extends generally vertically and further include angled portion that is inclined with respect to the main portion.

39. The bumper system defined in claim 35, wherein the energy absorber includes hooks that extend rearwardly and engage a top surface of the bumper beam.

10 40. The bumper system defined in claim 35, wherein the energy absorber includes hooks that extend rearwardly and engaging openings in the face of the bumper beam.

15 41. The bumper system defined in claim 35, wherein the bumper beam includes at least one tube section, and wherein the energy absorber includes corner-forming end sections that cover opposing ends of the tube section.

20 42. The bumper system defined in claim 41, including mounting brackets attached to the bumper beam, the mounting brackets each including a flange that captures an associated one of the corner-forming end sections against the associated end of the bumper beam.

25 43. The bumper system defined in claim 35, including mounting brackets attached to the bumper beam at spaced-apart locations, the mounting brackets each including a J-shaped portion that partially covers an end of the tube section.

44. The bumper system defined in claim 35, wherein the bumper beam is B-shaped and includes a pair of spaced-apart tubular sections.

30 45. A bumper system for vehicles comprising:
a bumper beam having a face defining a forward direction for a vehicle; and

an energy absorber engaging the face, the energy absorber, when in a vehicle-mounted position, being symmetrically shaped about a transverse vertical central plane, the energy absorber including a plurality of parallel walls that define horizontal planes and that extend longitudinally a complete length of the energy absorber except at the central plane, and the energy absorber further including discontinuous front and rear walls that lie generally parallel the face and that interconnect the parallel walls to form open box-shaped sections to define an alternating arrangement of forward facing openings and rearward facing openings.

46. A bumper system for vehicles comprising:

a bumper beam having a face defining a forward direction for a vehicle and having open ends positioned close to and adapted to partially define front corners of a vehicle; and

an energy absorber engaging the face, the energy absorber, when in a vehicle-mounted position, being symmetrically shaped about a transverse vertical central plane, and having a center section engaging the face and covering the face, and having corner sections covering the open ends of the bumper beam, the corner sections being formed in part by perpendicularly extending walls that form an open honeycomb shaped structure and being formed in part by a crescent shaped flange that extends outwardly in cantilever from the perpendicularly extending walls.

47. A bumper system for vehicles comprising:

a bumper beam having a face defining a forward direction for a vehicle and having open ends;

a pair of mounting brackets attached to the bumper beam and adapted to mount the bumper beam on a vehicle, the mounting brackets each including a forwardly extending portion that extends at least partially over an associated one of the open ends; and

an energy absorber engaging the face, the energy absorber, when in a vehicle-mounted position, being symmetrically shaped about a transverse vertical central plane, the energy absorber including a pair of corner-forming end sections, each having a box-

PCT/US02/10672.06.11.2002
PCT/US 02/10672
IPEA/US 06 NOV 2002

shaped section located in part between one of the open ends and the associated one of the forwardly extending portions of the mounting brackets.

48. A bumper system for vehicles comprising:

5 a bumper beam having a face defining a forward direction for a vehicle and having open ends;

an energy absorber engaging the face, the energy absorber, when in a vehicle-mounted position, being symmetrically shaped about a transverse vertical central plane, the energy absorber including a center section and a pair of corner-forming sections attached to outer ends of the center section with a recessed area therebetween; and

10 a pair of mounting brackets attached to the bumper beam and adapted to mount the bumper beam on a vehicle, the mounting brackets each including an outwardly extending portion that extends partially into the recessed area to support an associated one of the corner sections of the energy absorber during a corner impact.

15 49. A method of developing a bumper system for vehicles, comprising steps of:

providing a bumper assembly including a bumper beam adapted for attachment to a vehicle and an energy absorber attached to the bumper beam, the energy absorber having a face defining a front-to-rear direction, and having a center section and corner-forming end sections, the center section and end sections having a plurality of box-shaped sections defined in part by planar wall sections that extend parallel the front-to-rear direction;

20 impacting the bumper assembly with an object to simulate a vehicle crash and collecting impact data;

25 analyzing the impact data and damage to the bumper assembly after the step of impacting; and

adjusting impact strengths of individual ones of the box-shaped sections by forming holes and non-uniform crush-initiating apertures in the planar wall sections to reduce strengths of particular box-shaped sections.

30 50. A bumper system for vehicles comprising:

a bumper beam having a continuous tubular cross section with top, bottom, front and rear walls, the front wall defining a front surface that extends generally vertically when the bumper beam is in a car-mounted position and including four-sided apertures between the top and bottom front walls; and

5 an energy absorber having a main body abutting the front surface and including box-shaped nose sections that extend through the apertures in the front surface of the bumper beam to locations proximate the rear wall, the box-shaped nose sections being configured to provide an initial amount of energy absorption during a vehicle impact and being configured to collapse with the bumper beam during later stages of the vehicle
10 impact.

51. A bumper system for vehicles comprising:

a bumper beam having a continuous tubular cross section with top, bottom, front and rear walls, the front wall defining a front surface that extends generally vertically
15 when the bumper beam is in a car-mounted position and the top and bottom walls extending generally horizontally; and

an energy absorber having a main body abutting the front surface and including top and bottom pairs of flanges with hooks engaging the top and bottom walls, respectively, the top and bottom flanges being relatively stiff but resilient and oriented to
20 bias the hooks with sufficient force to generate top and bottom opposing clamping forces on the bumper beam to temporarily retain the energy absorber on the bumper beam during assembly.

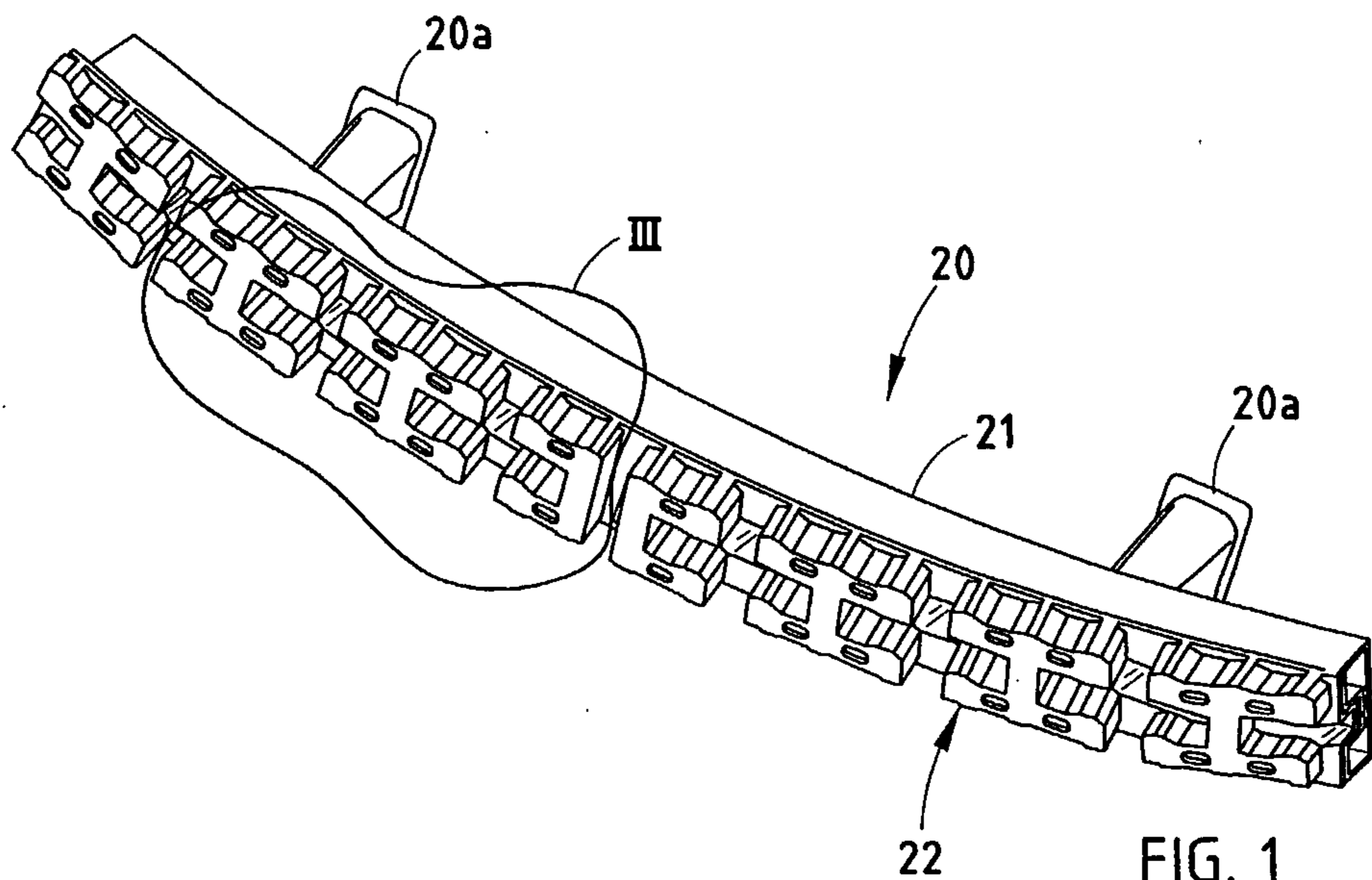


FIG. 1

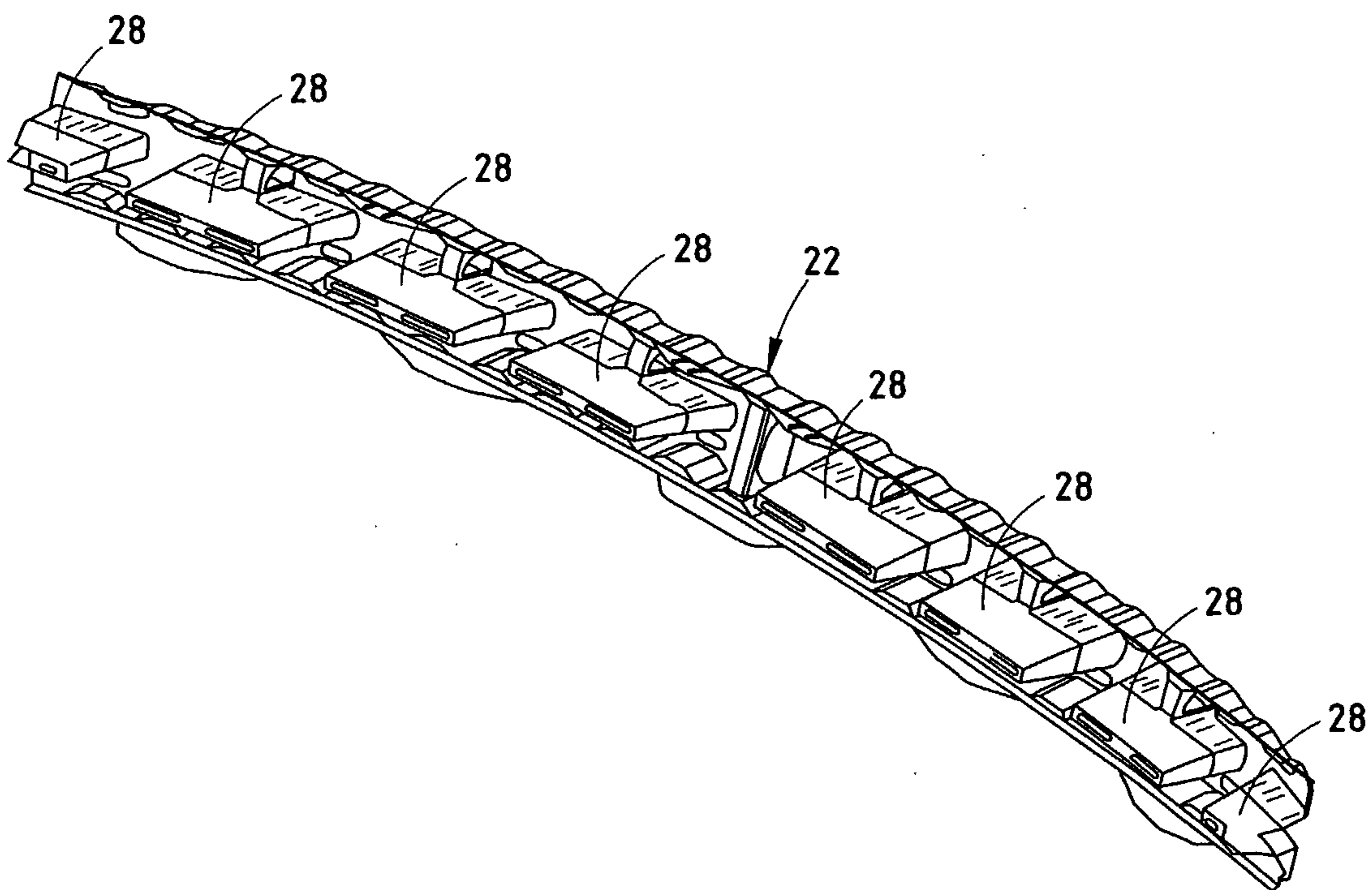


FIG. 2

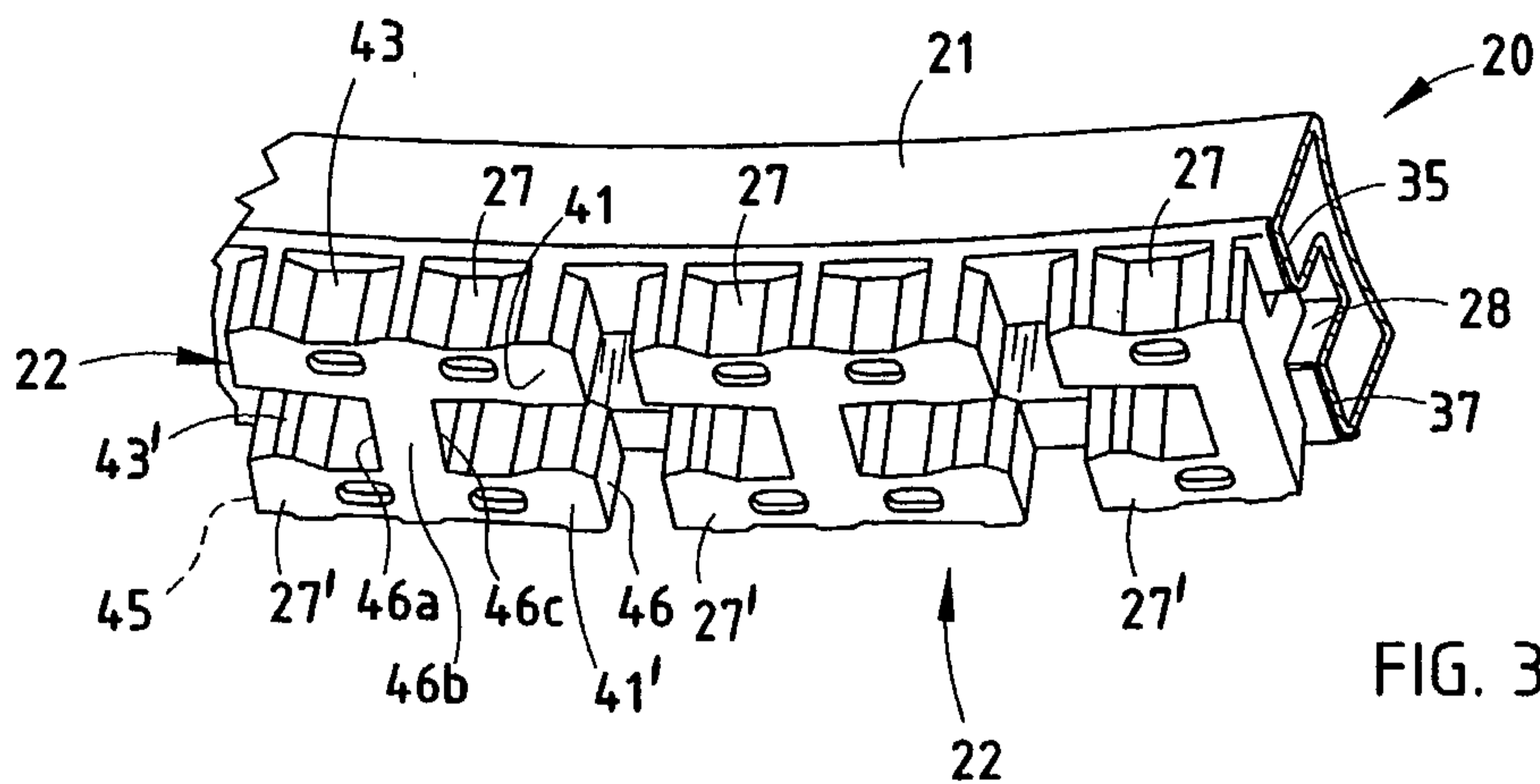


FIG. 3

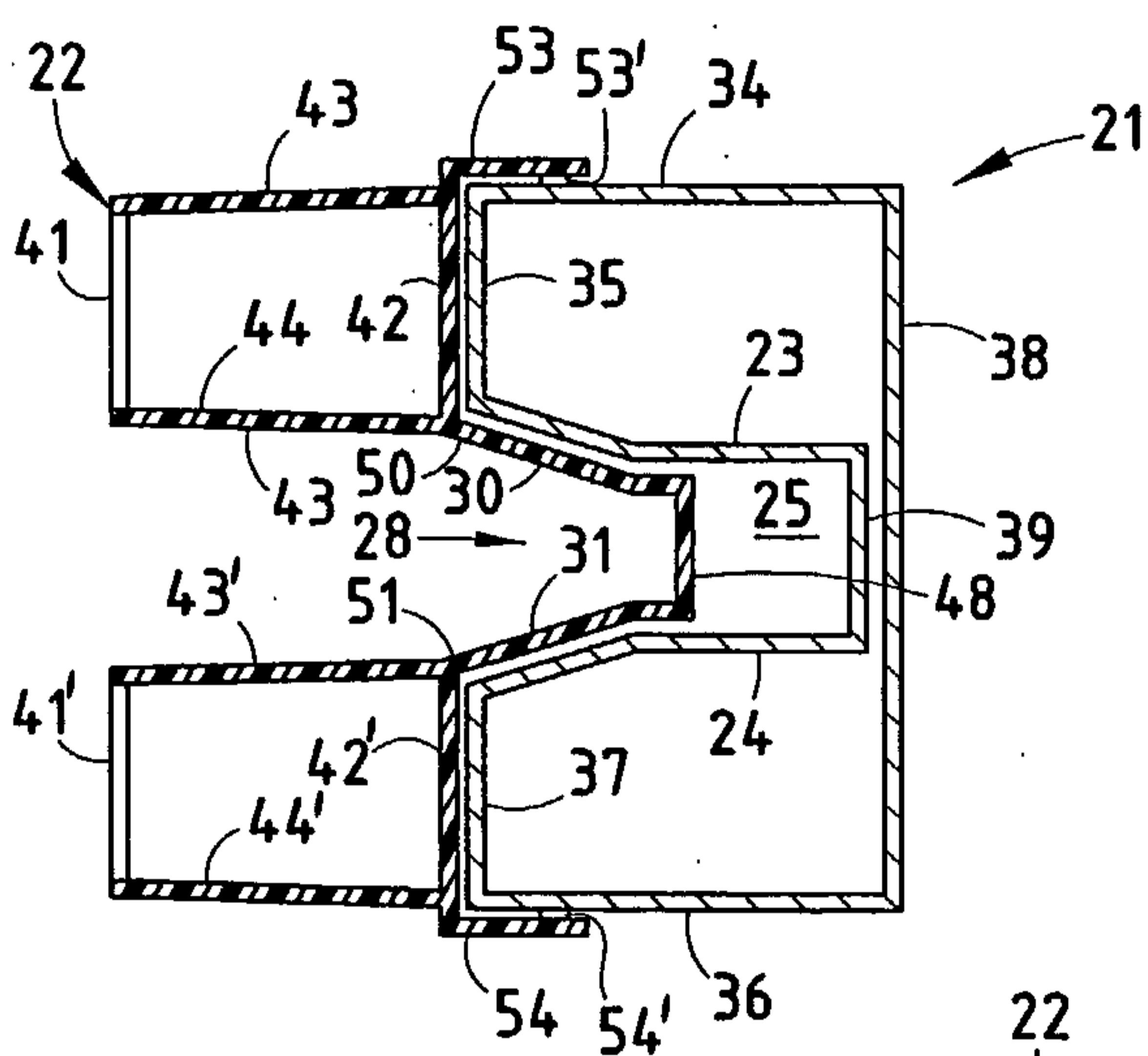


FIG. 4

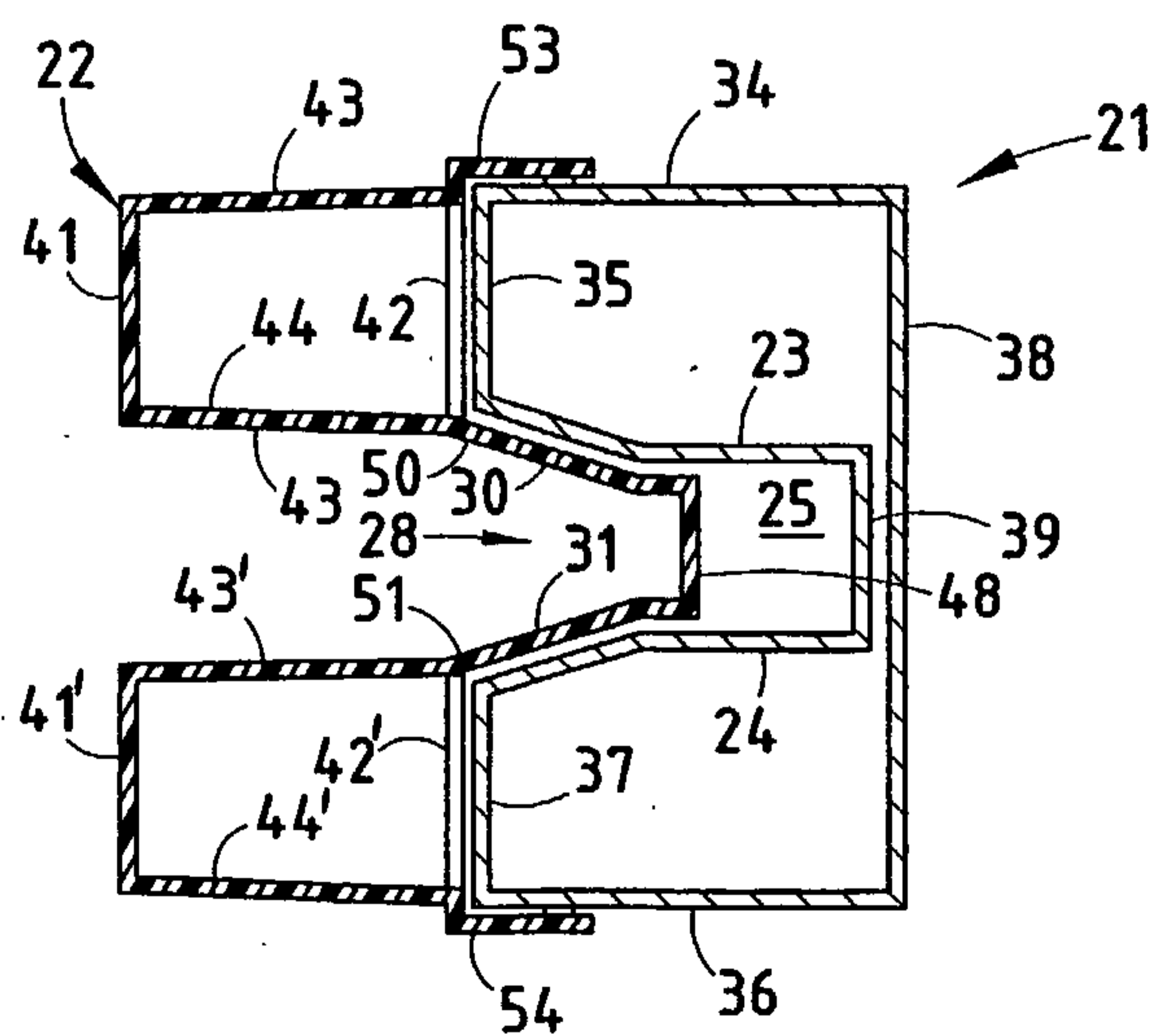


FIG. 4A

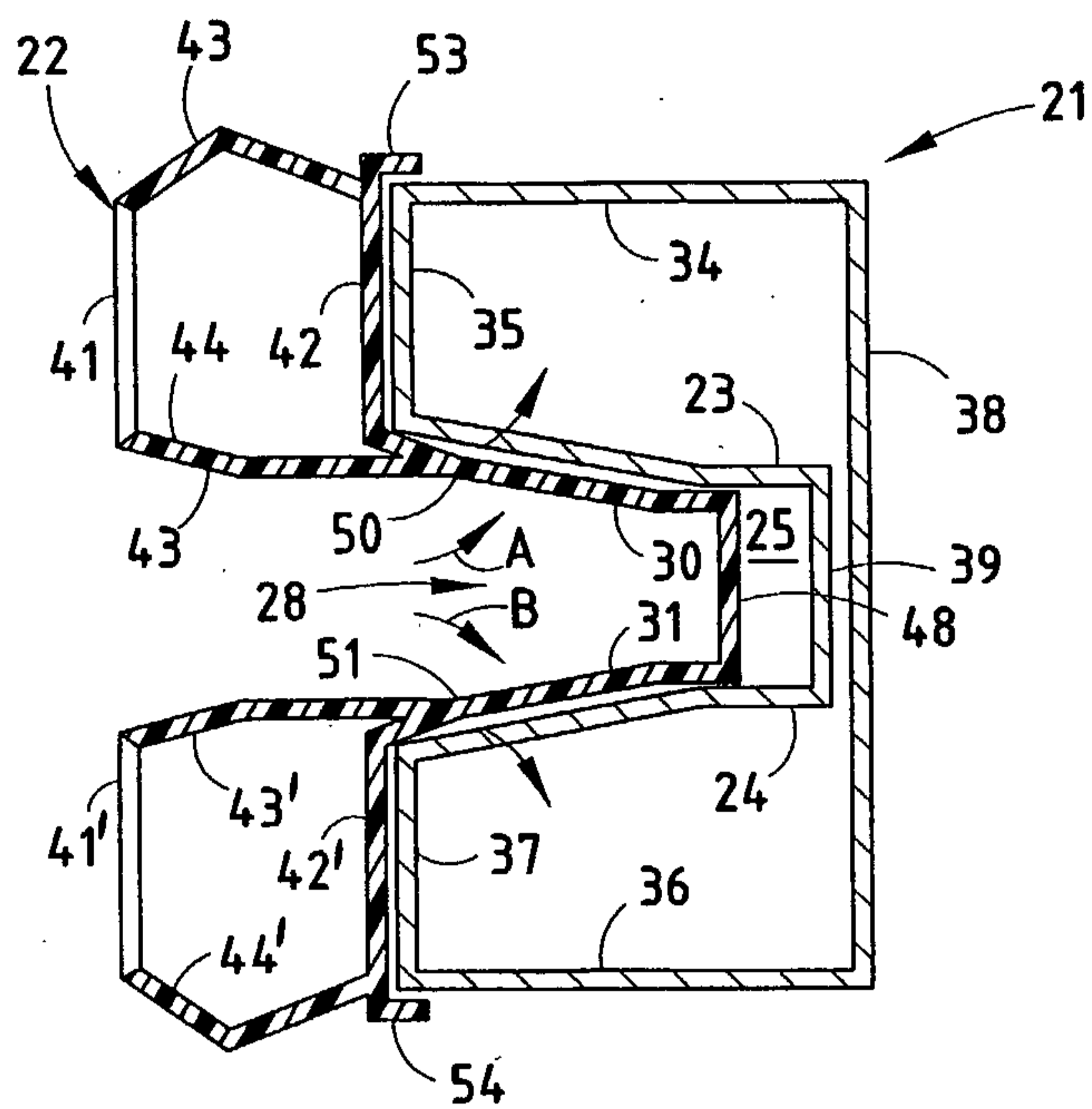


FIG. 5

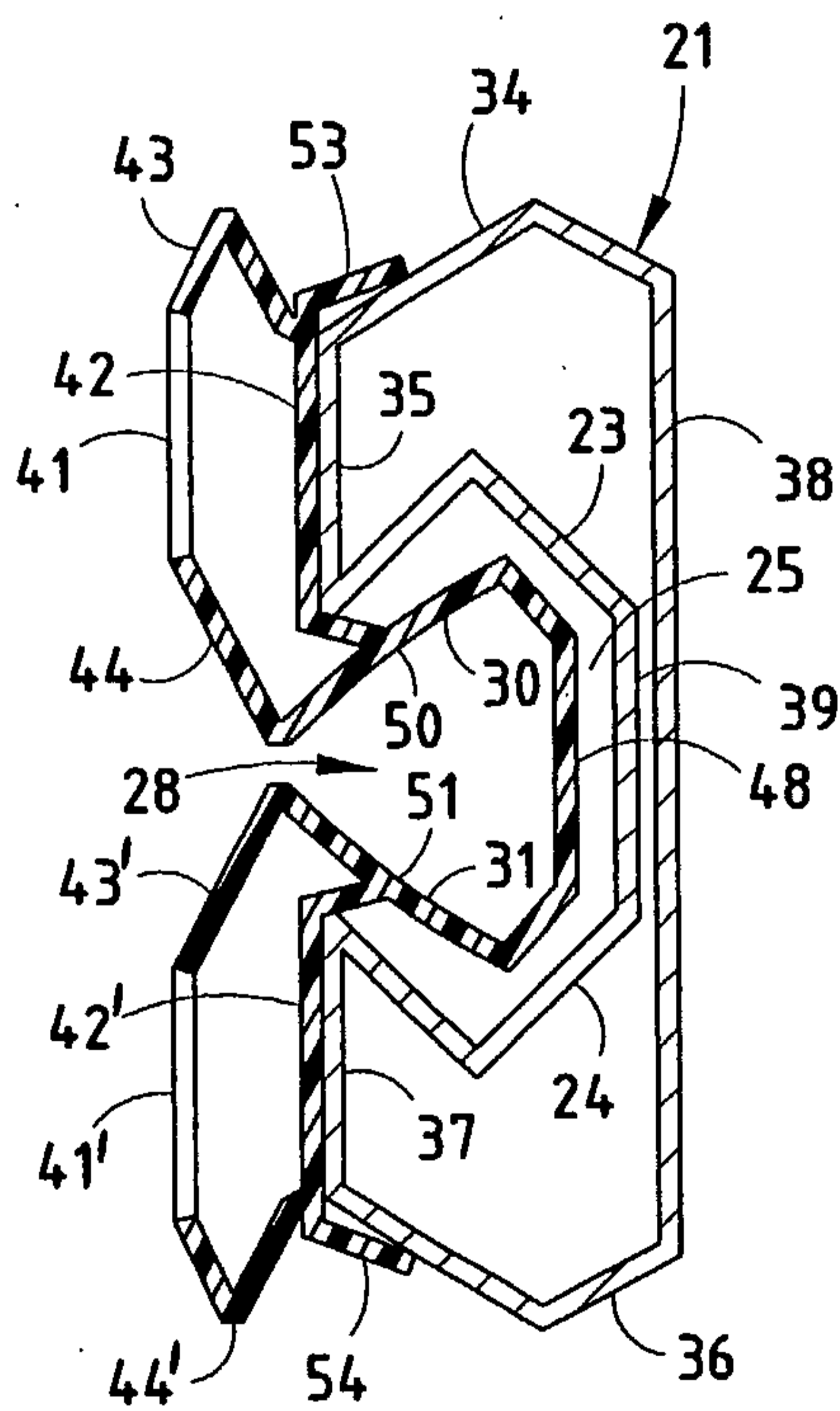


FIG. 6

4/13

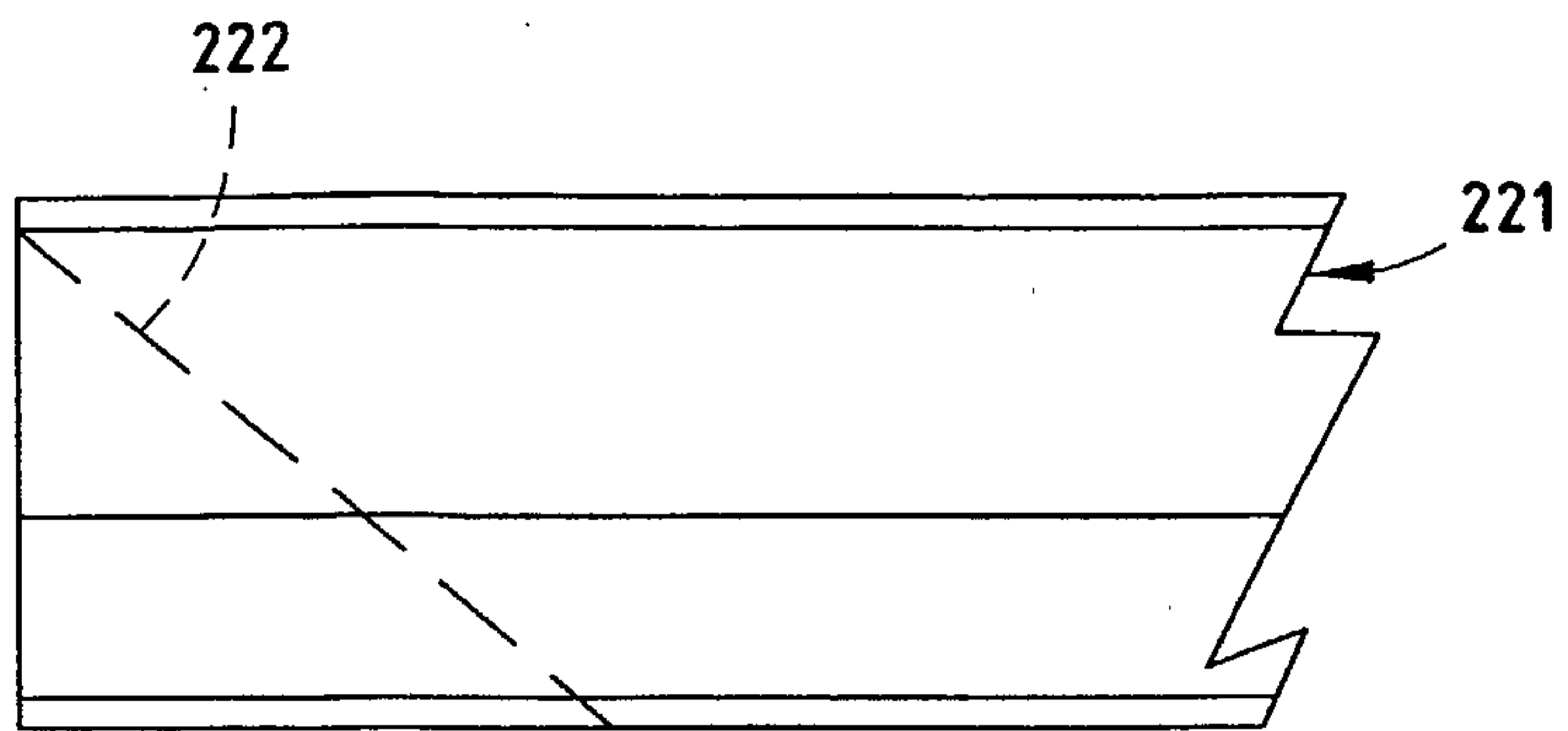


FIG. 7
PRIOR ART

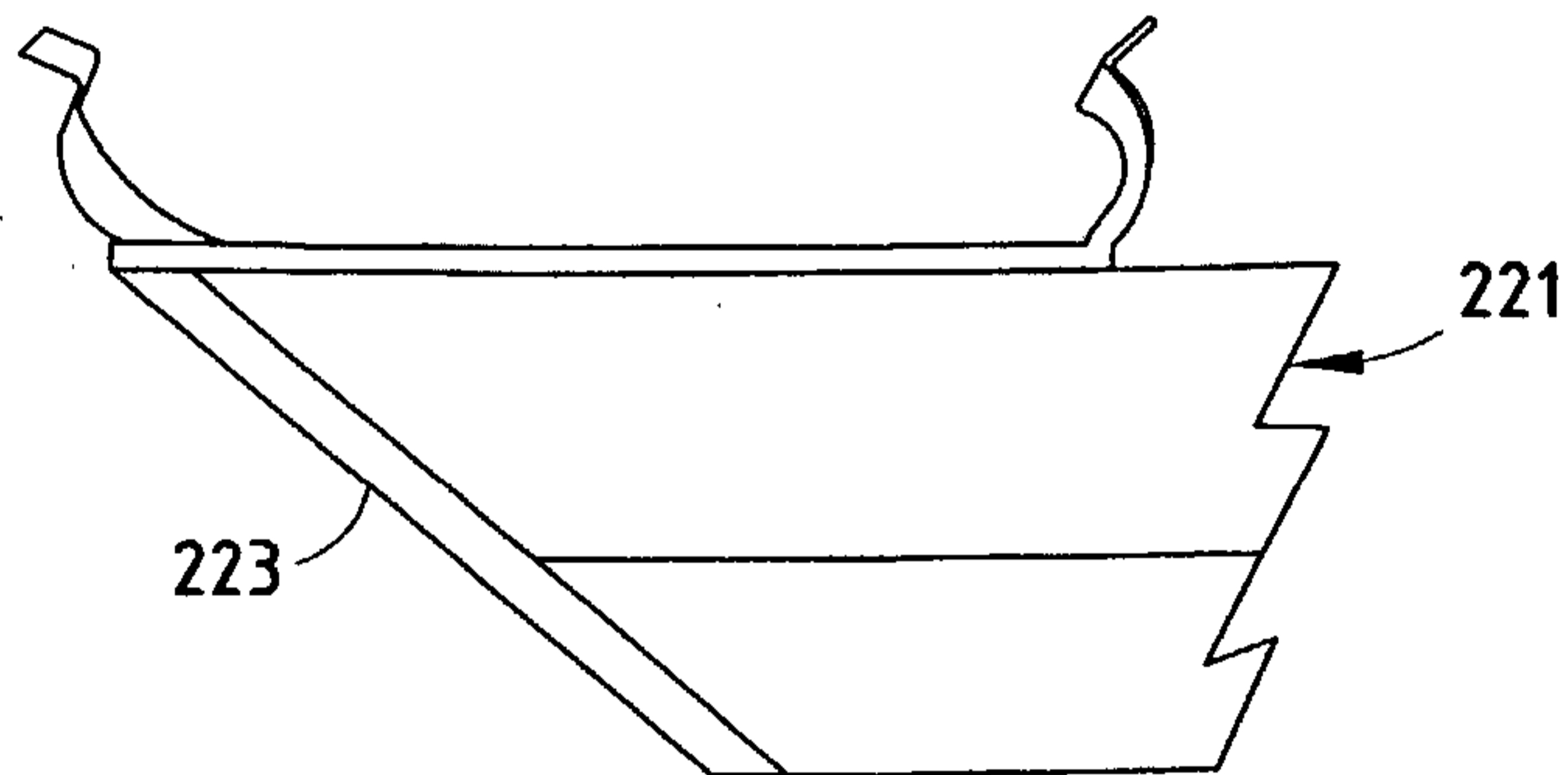


FIG. 7A
PRIOR ART

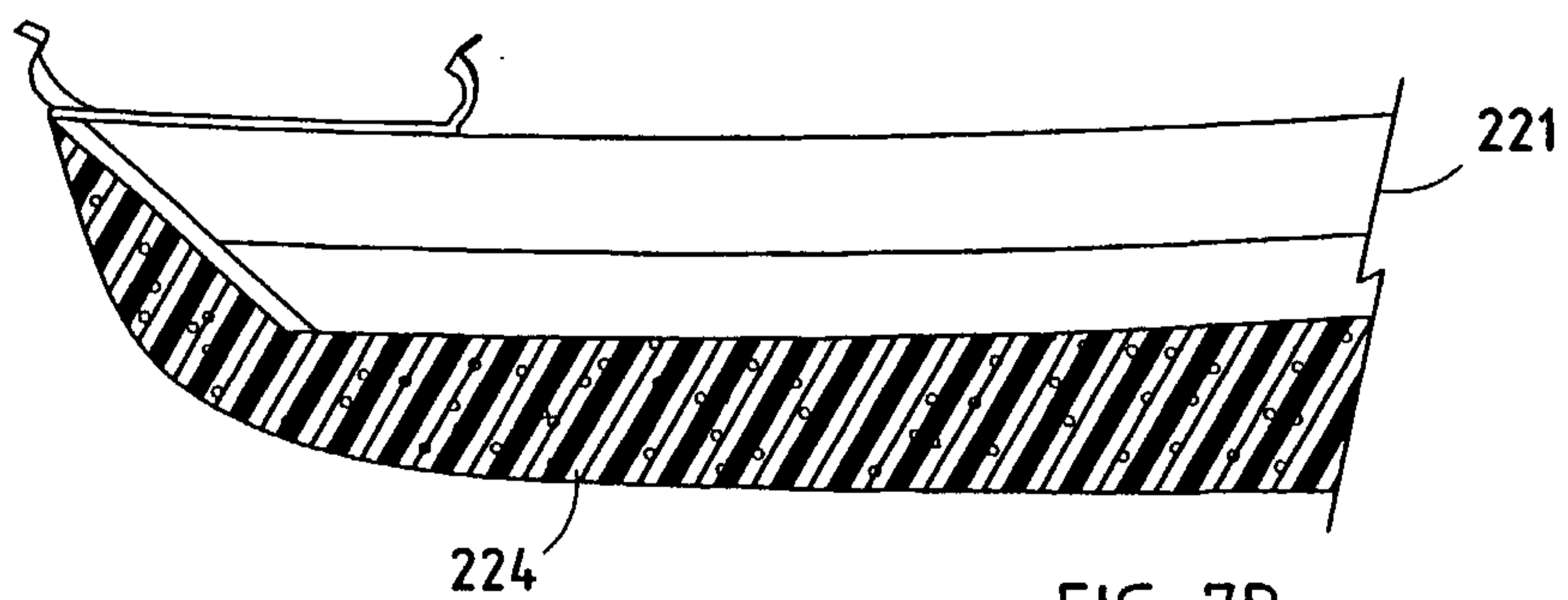
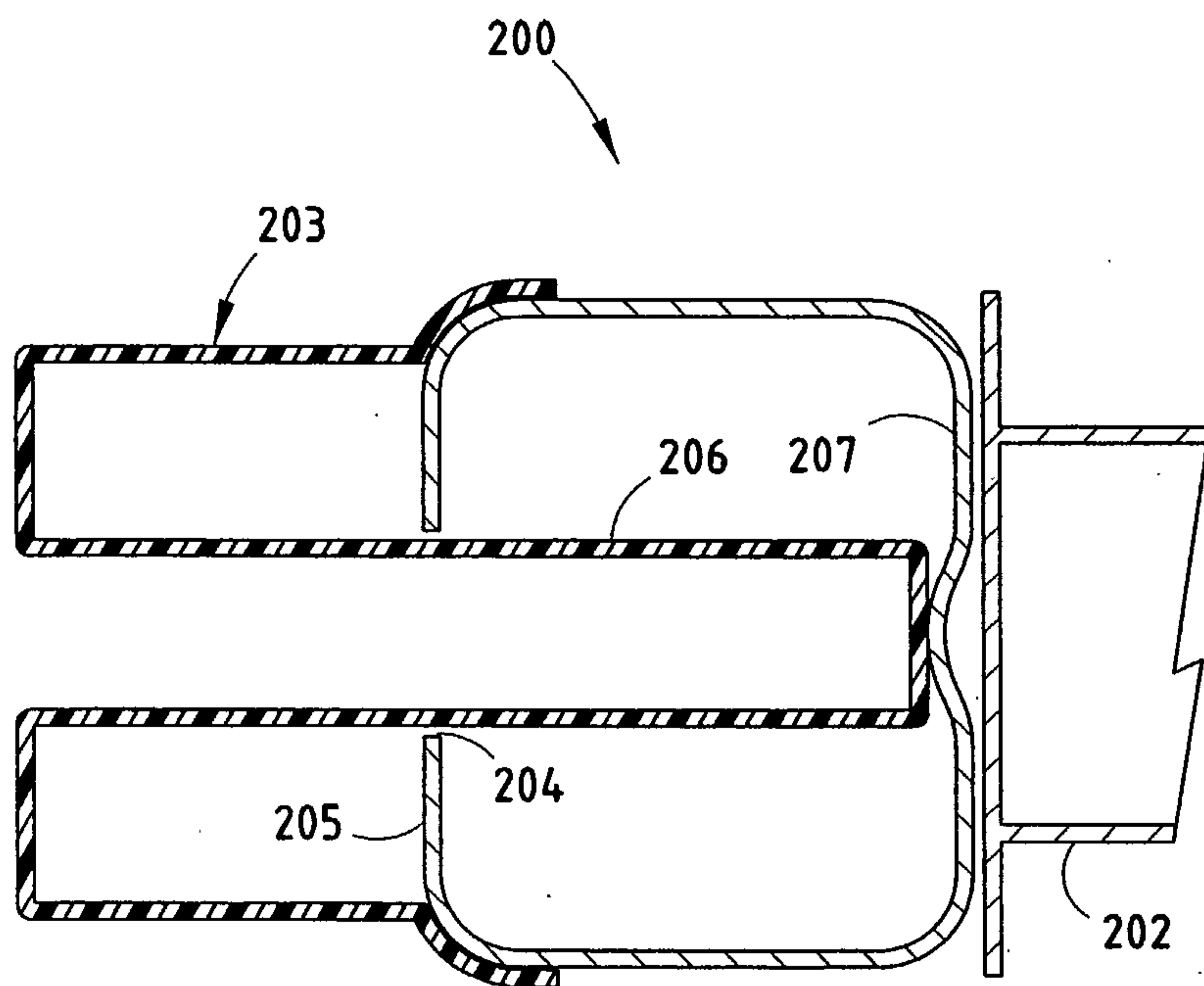
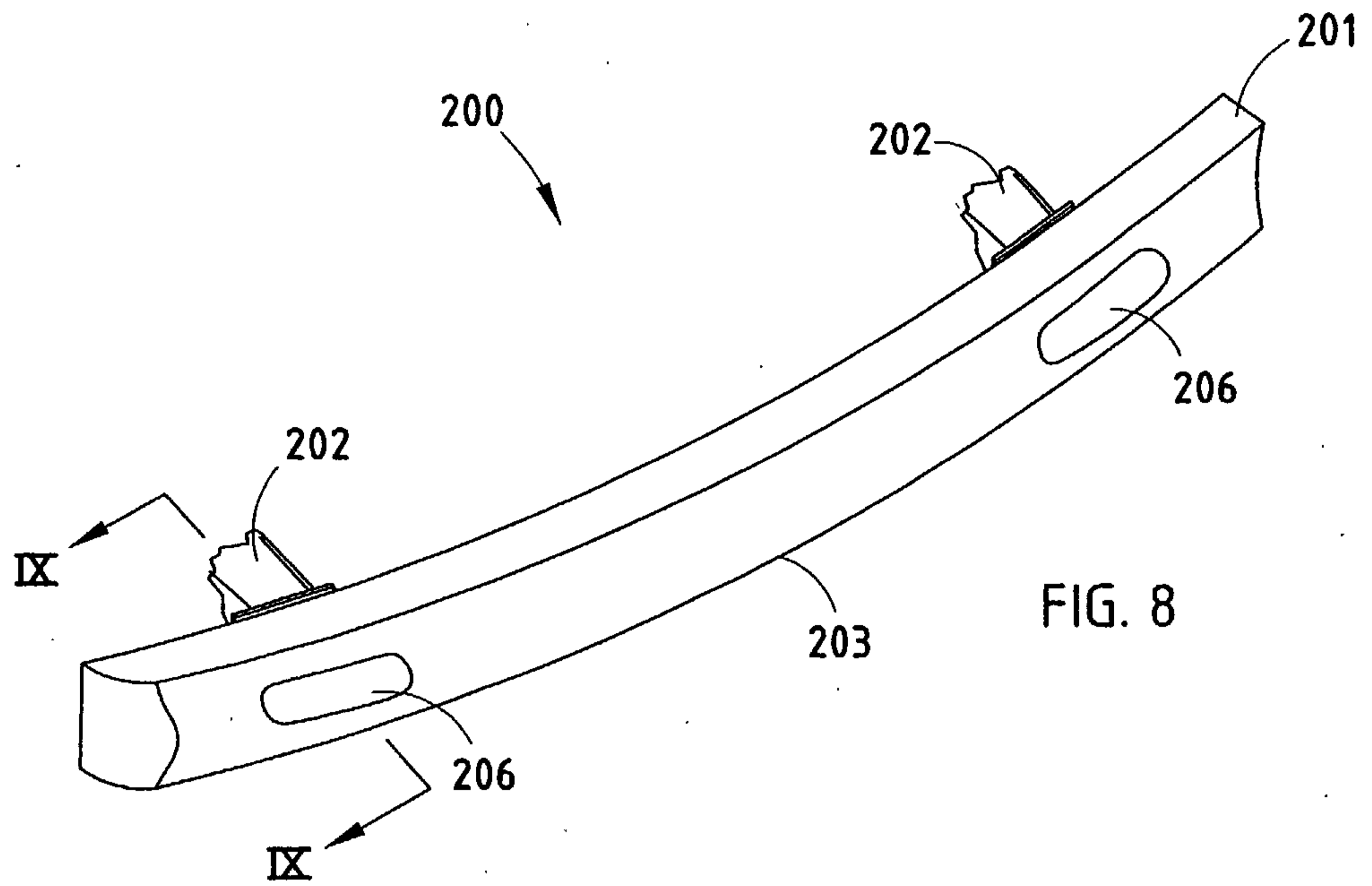


FIG. 7B
PRIOR ART

5/13



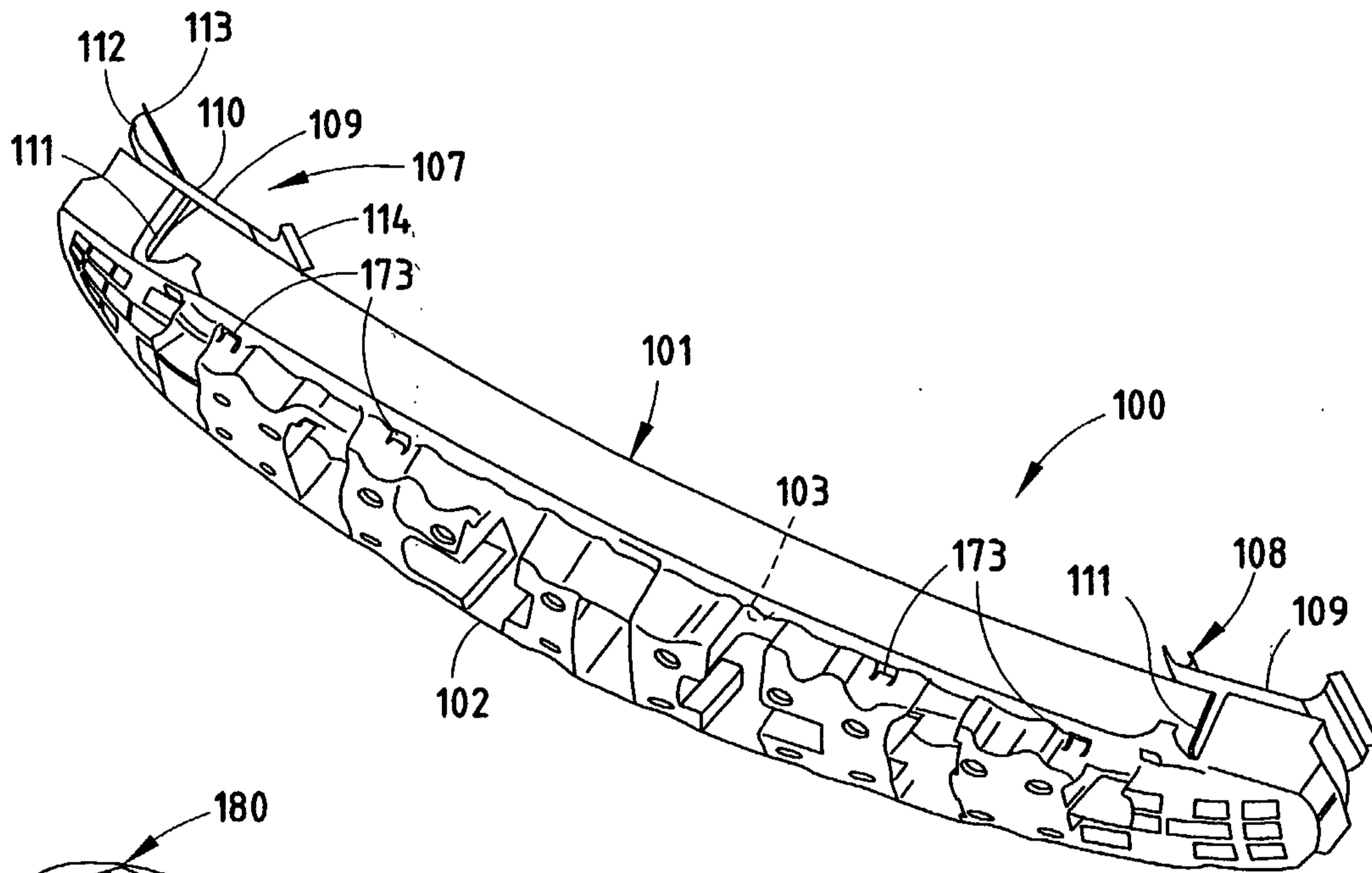


FIG. 10

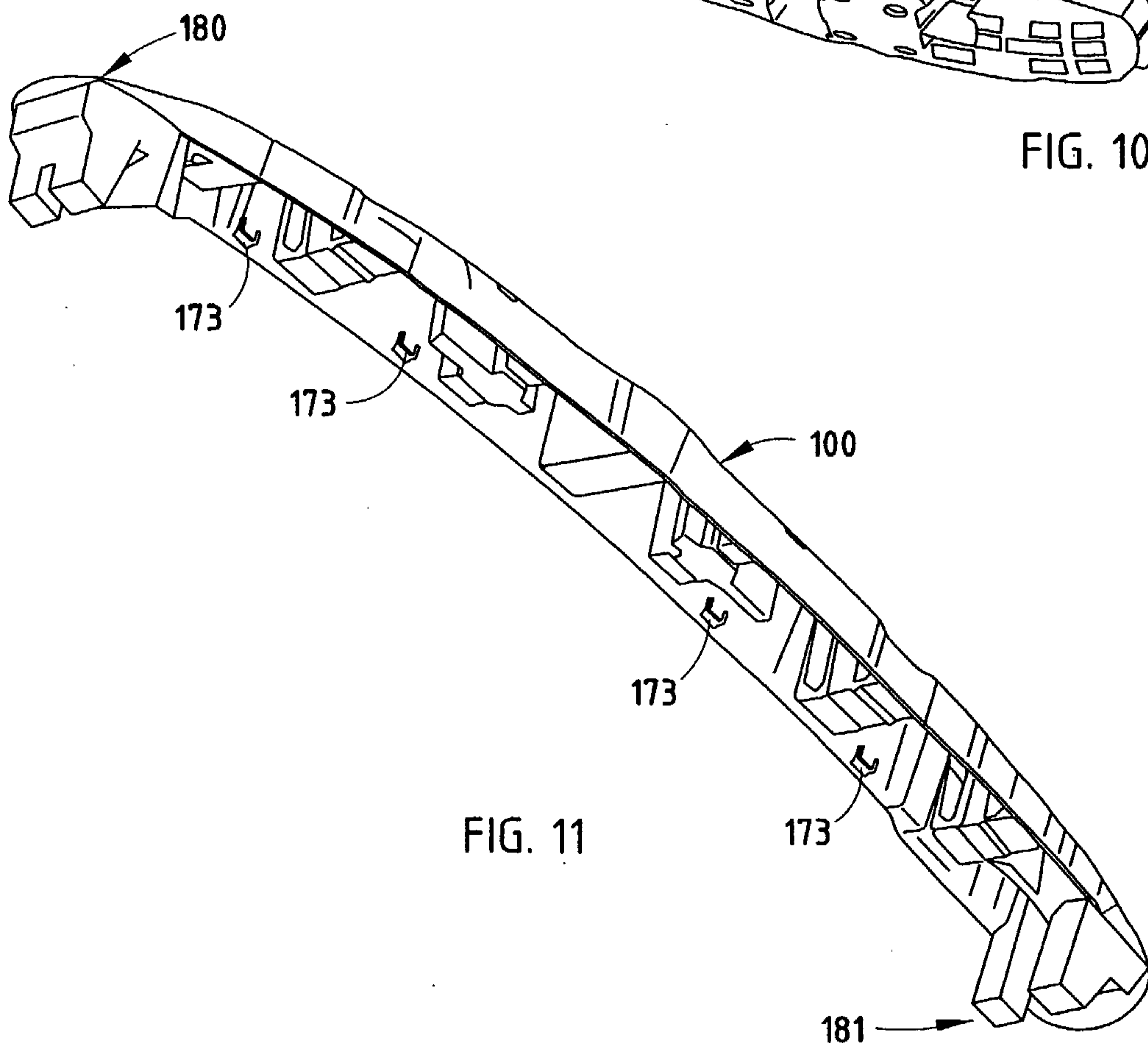


FIG. 11

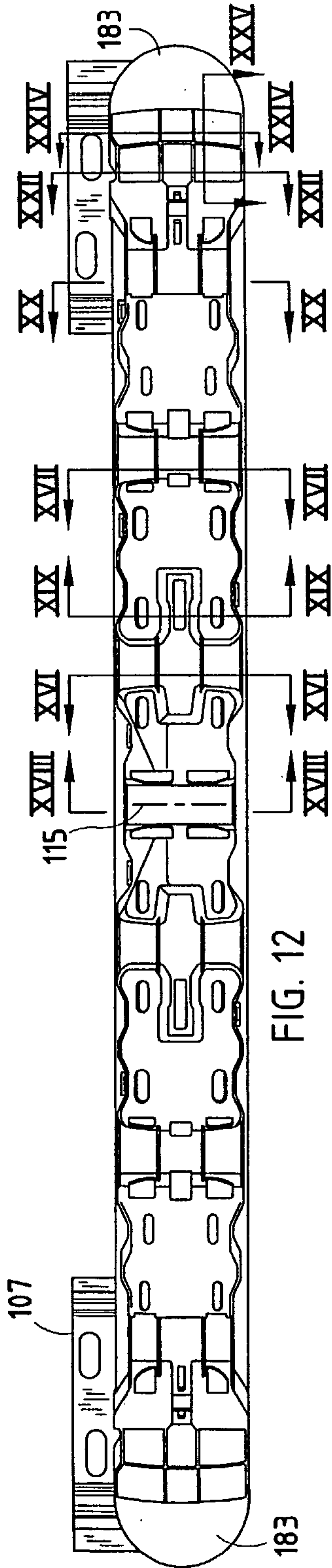


FIG. 12

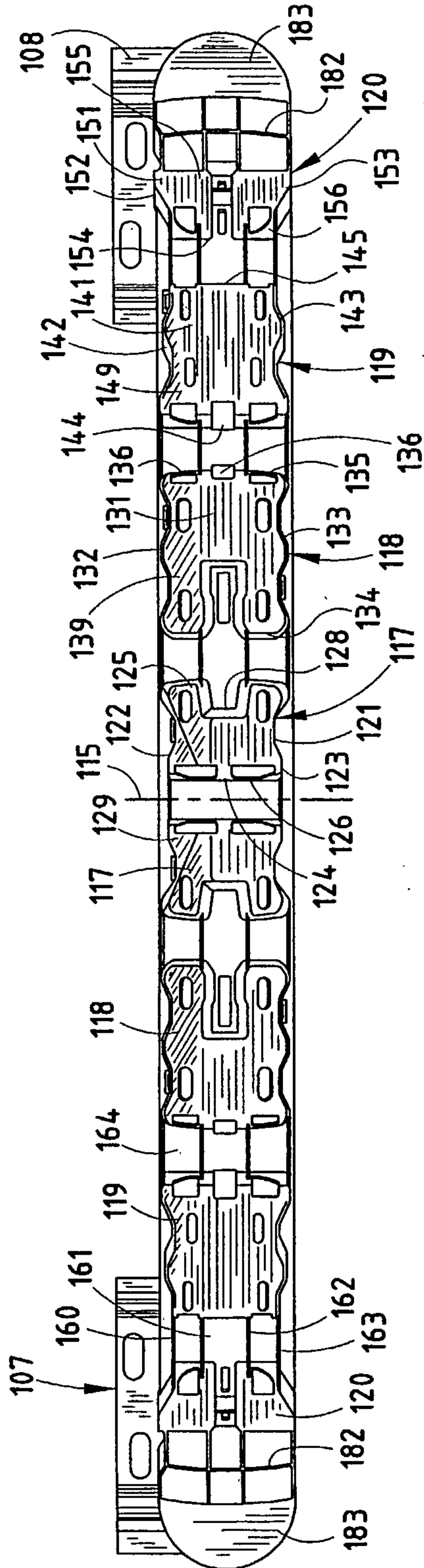


FIG. 12A

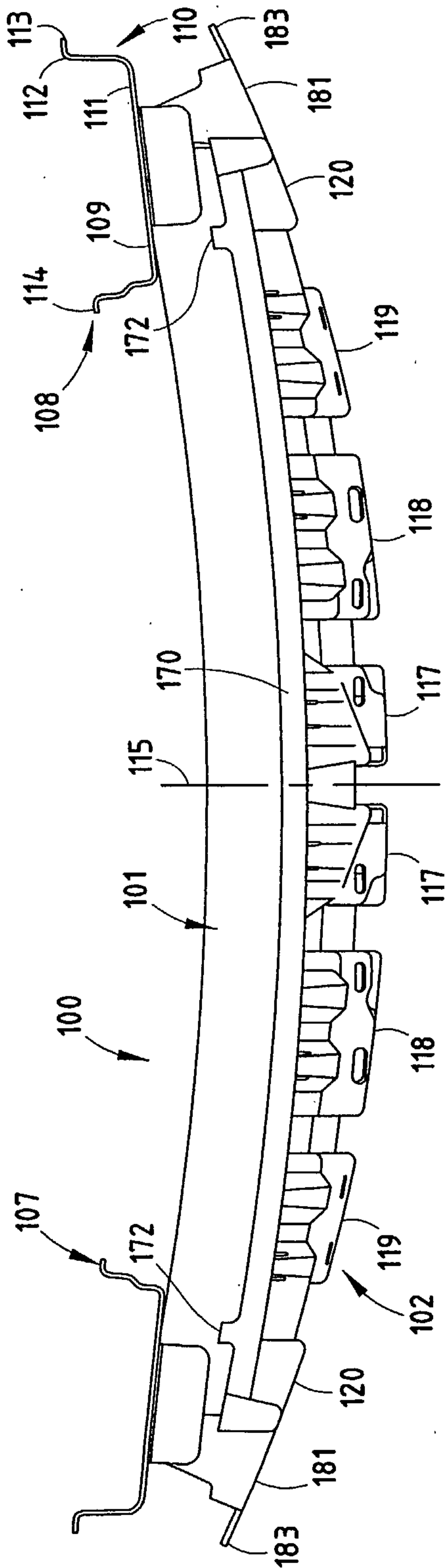


FIG. 13

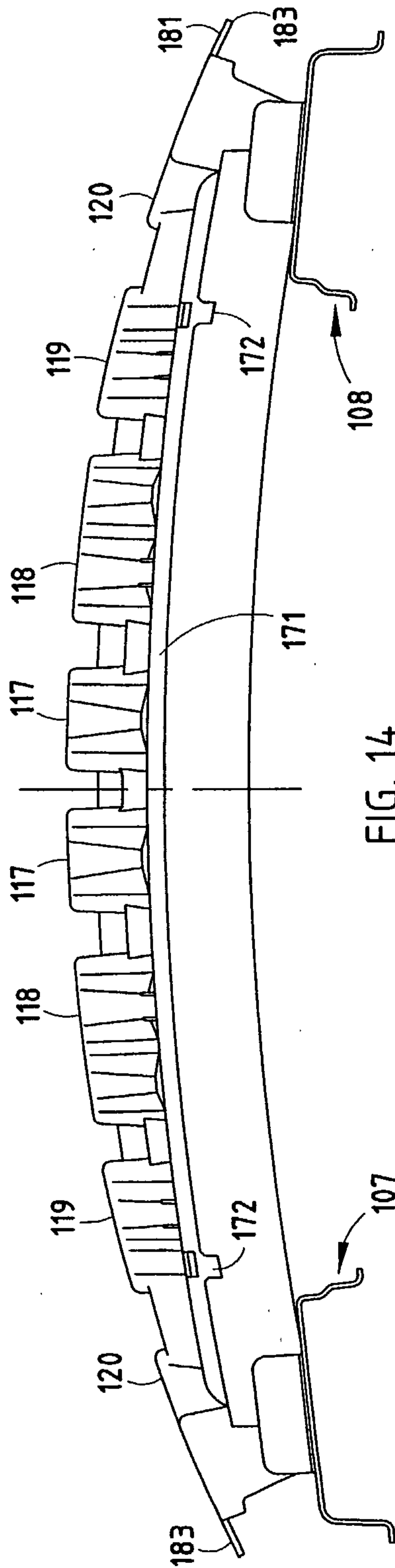


FIG. 14

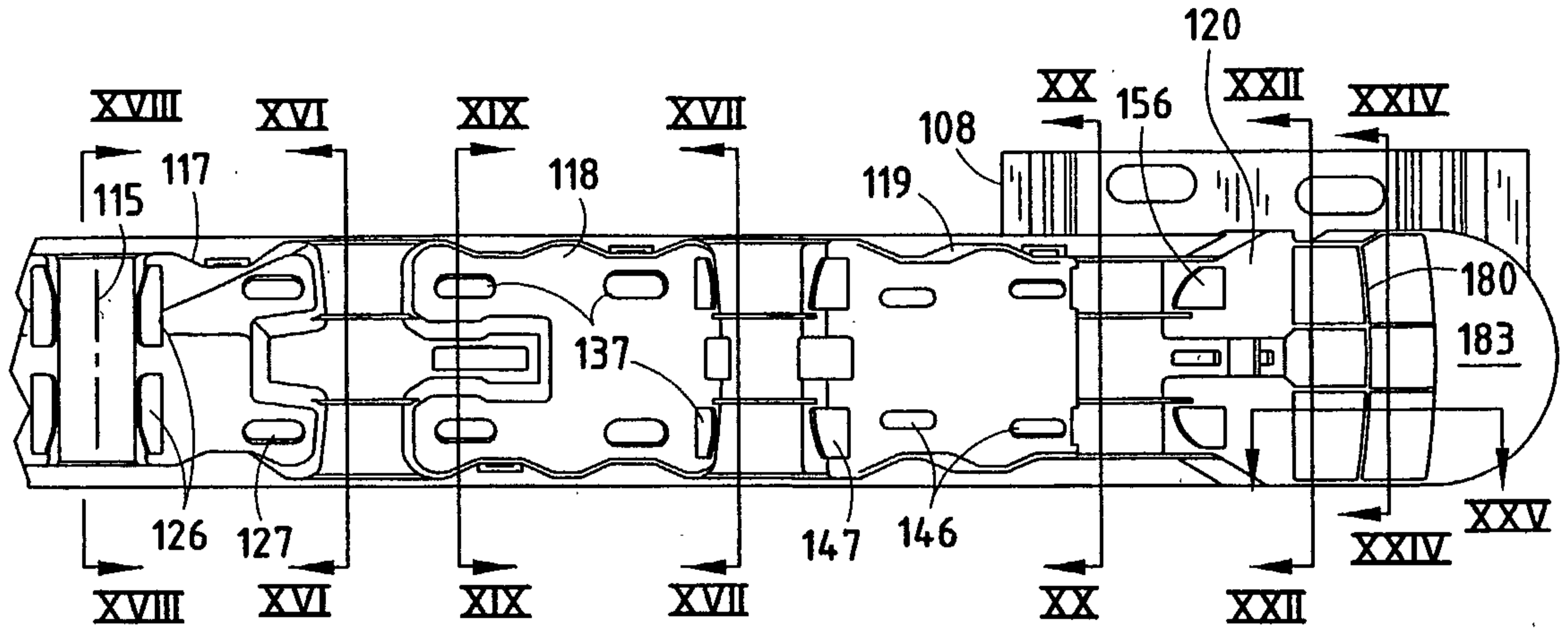


FIG. 15

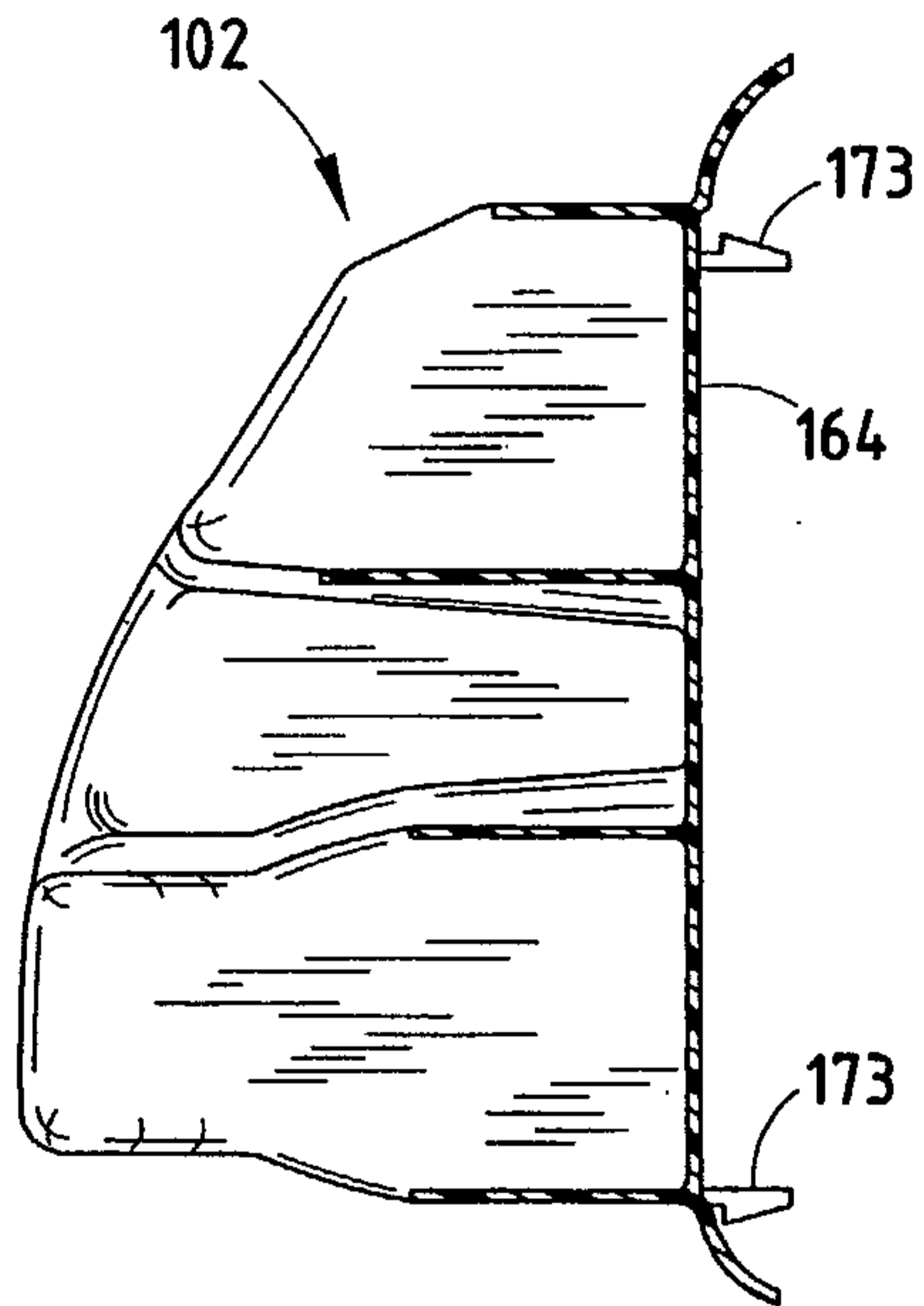


FIG. 16

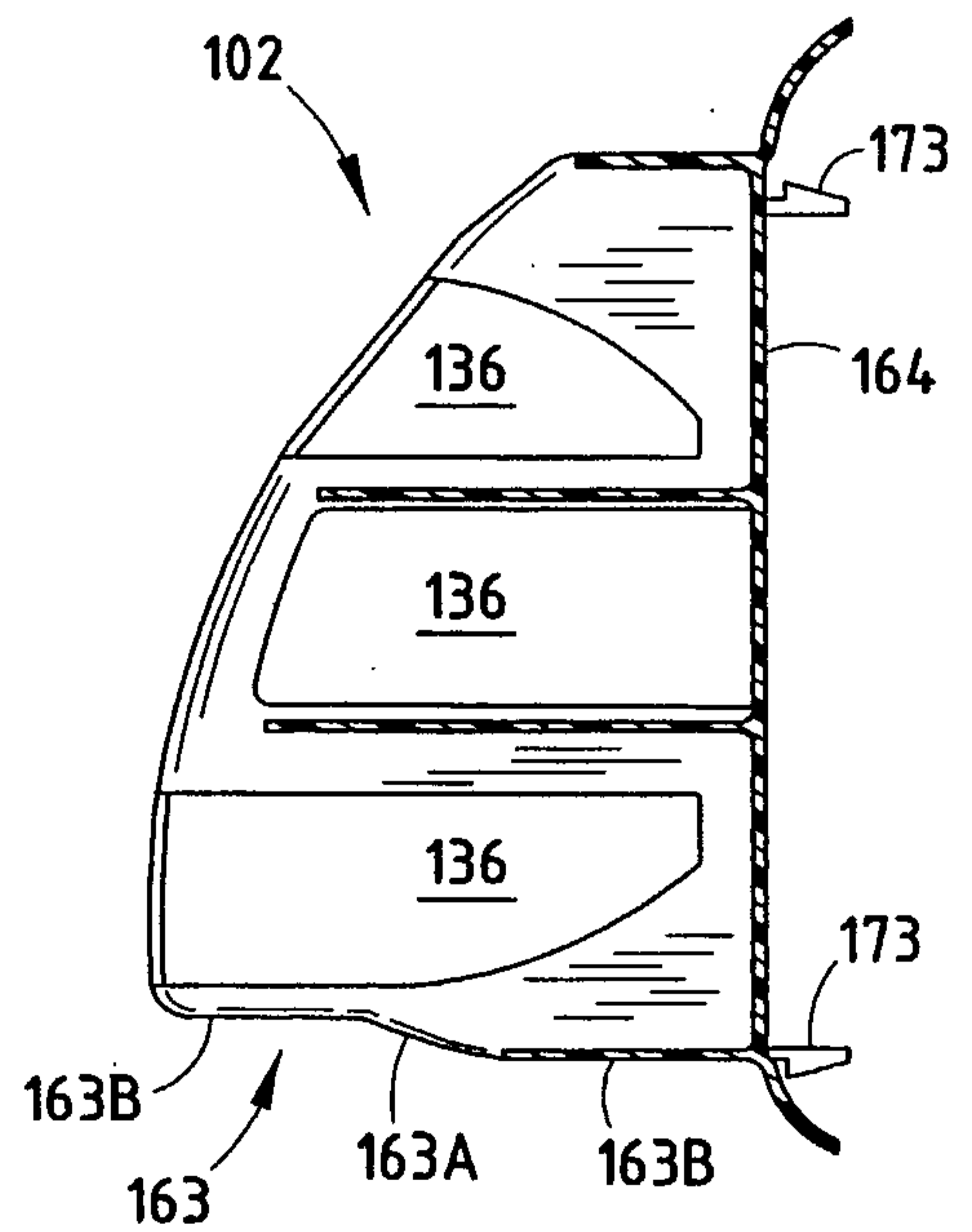


FIG. 17

10/13

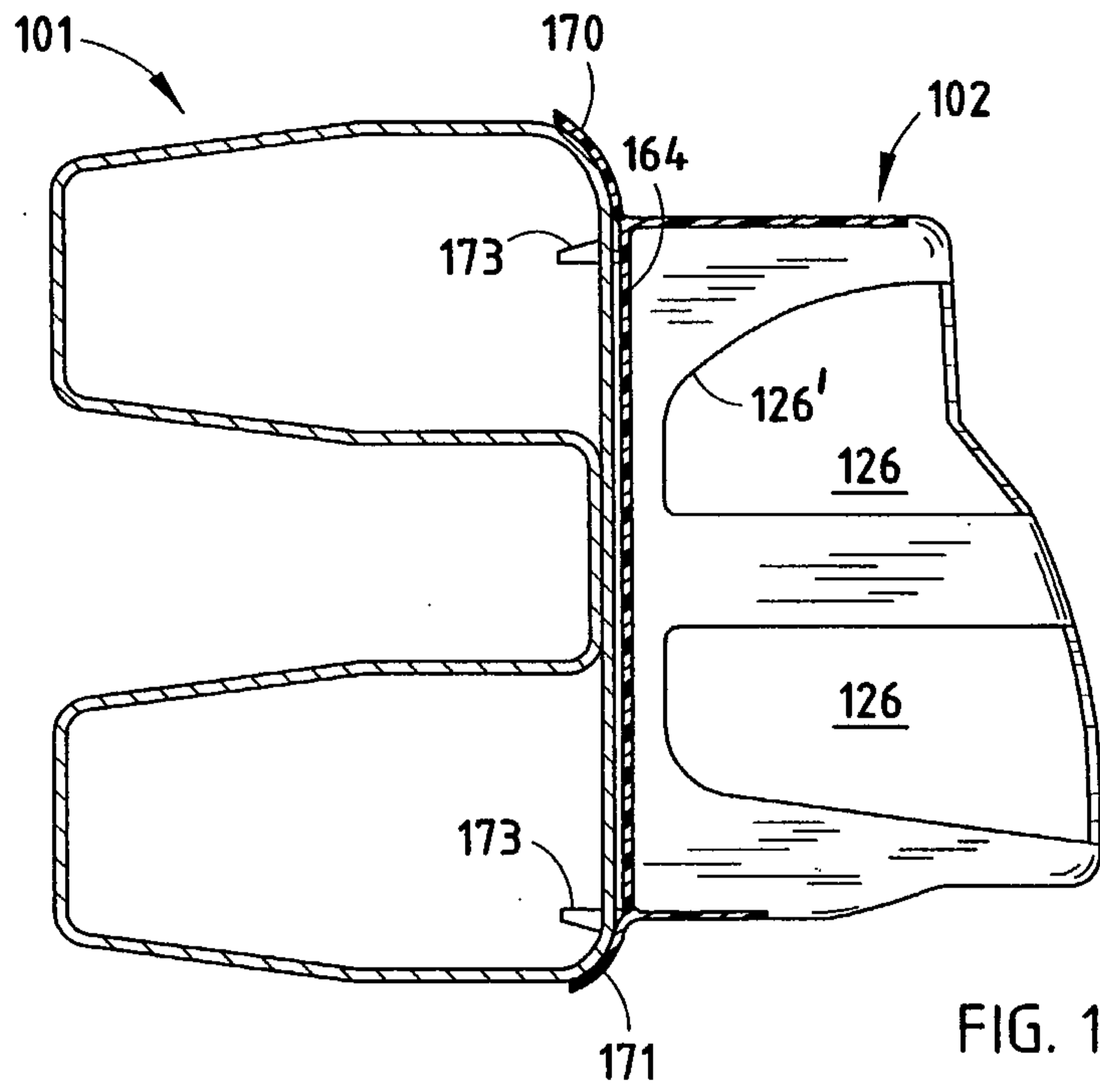


FIG. 18

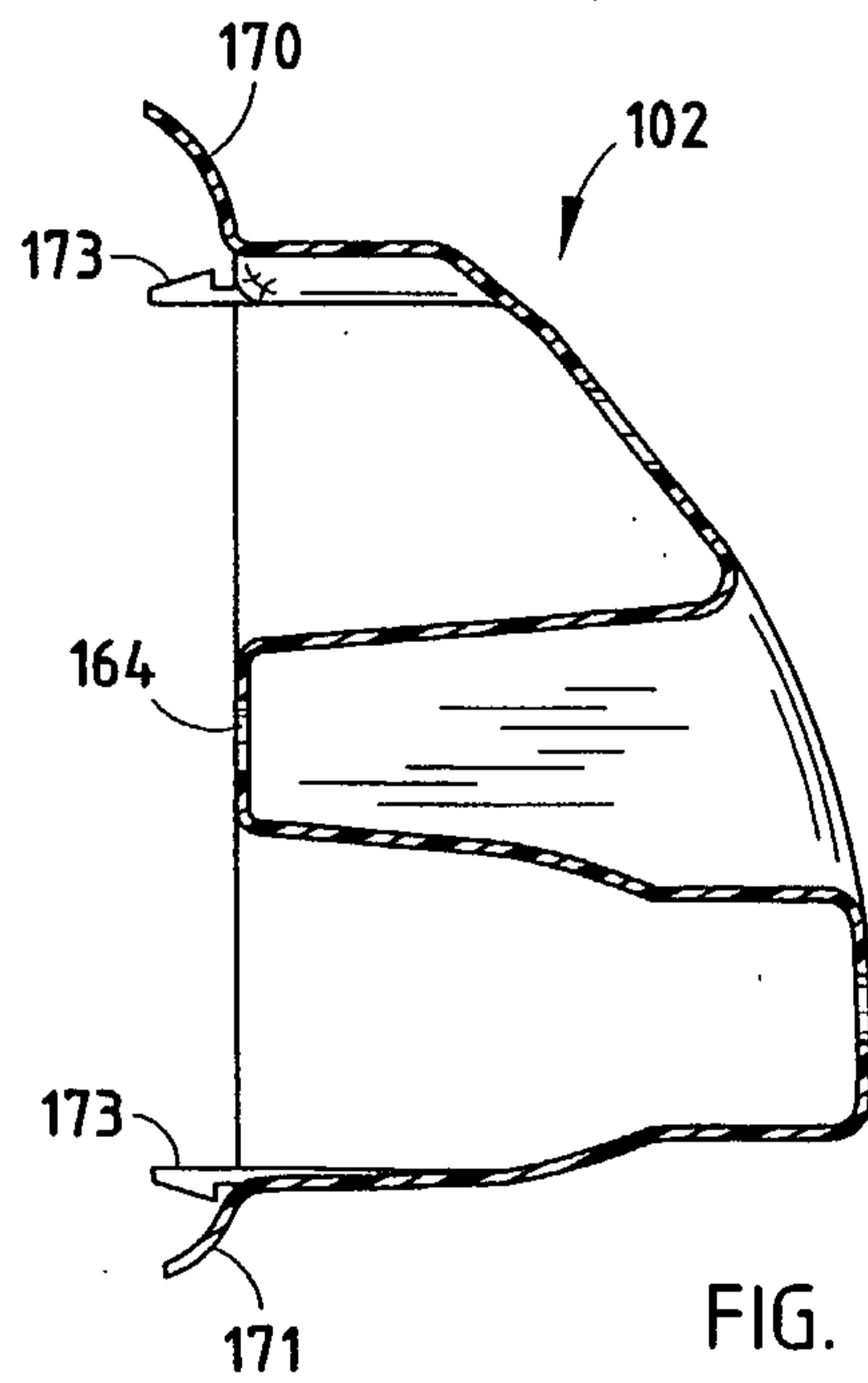


FIG. 19

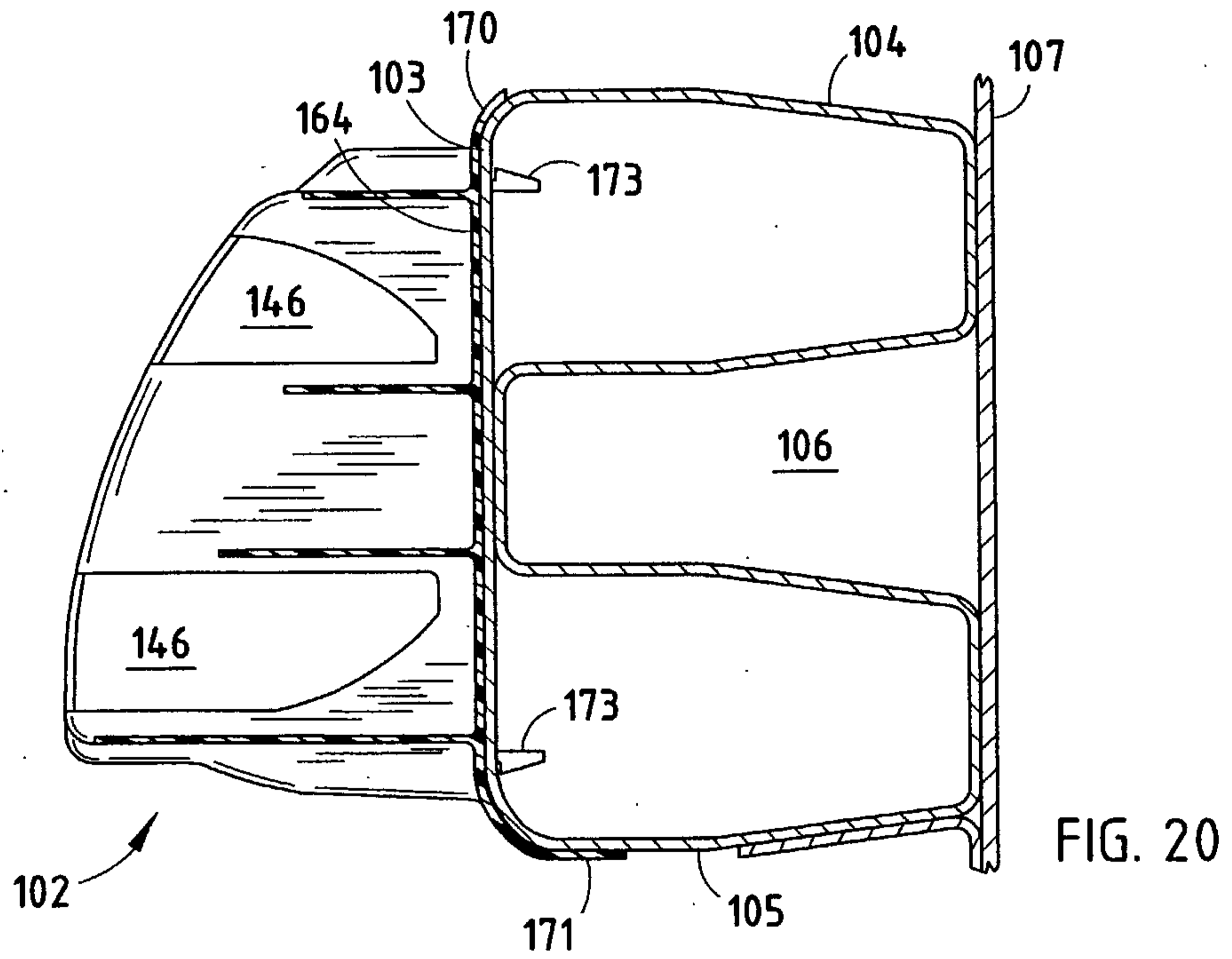


FIG. 20

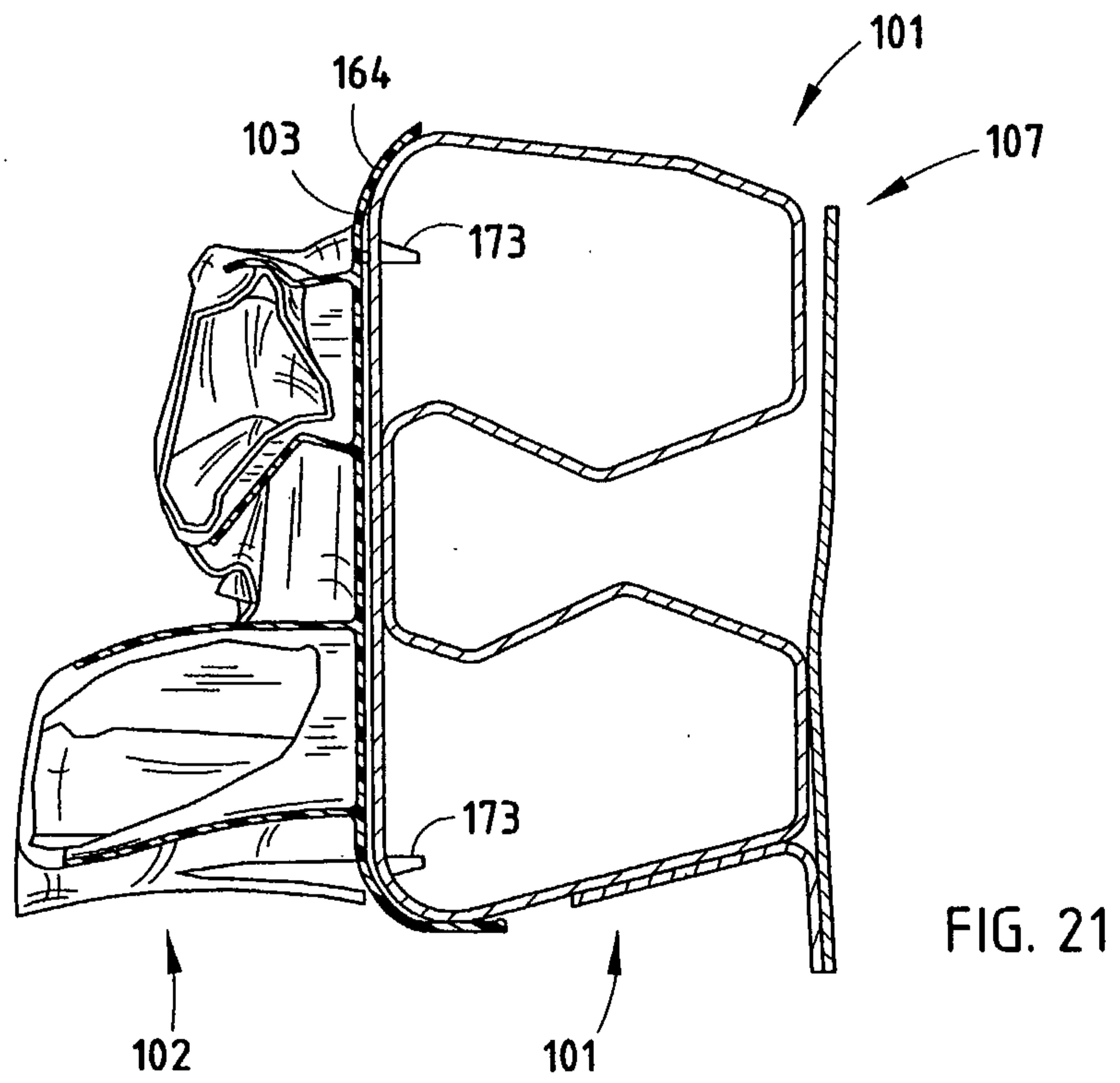


FIG. 21

12/13

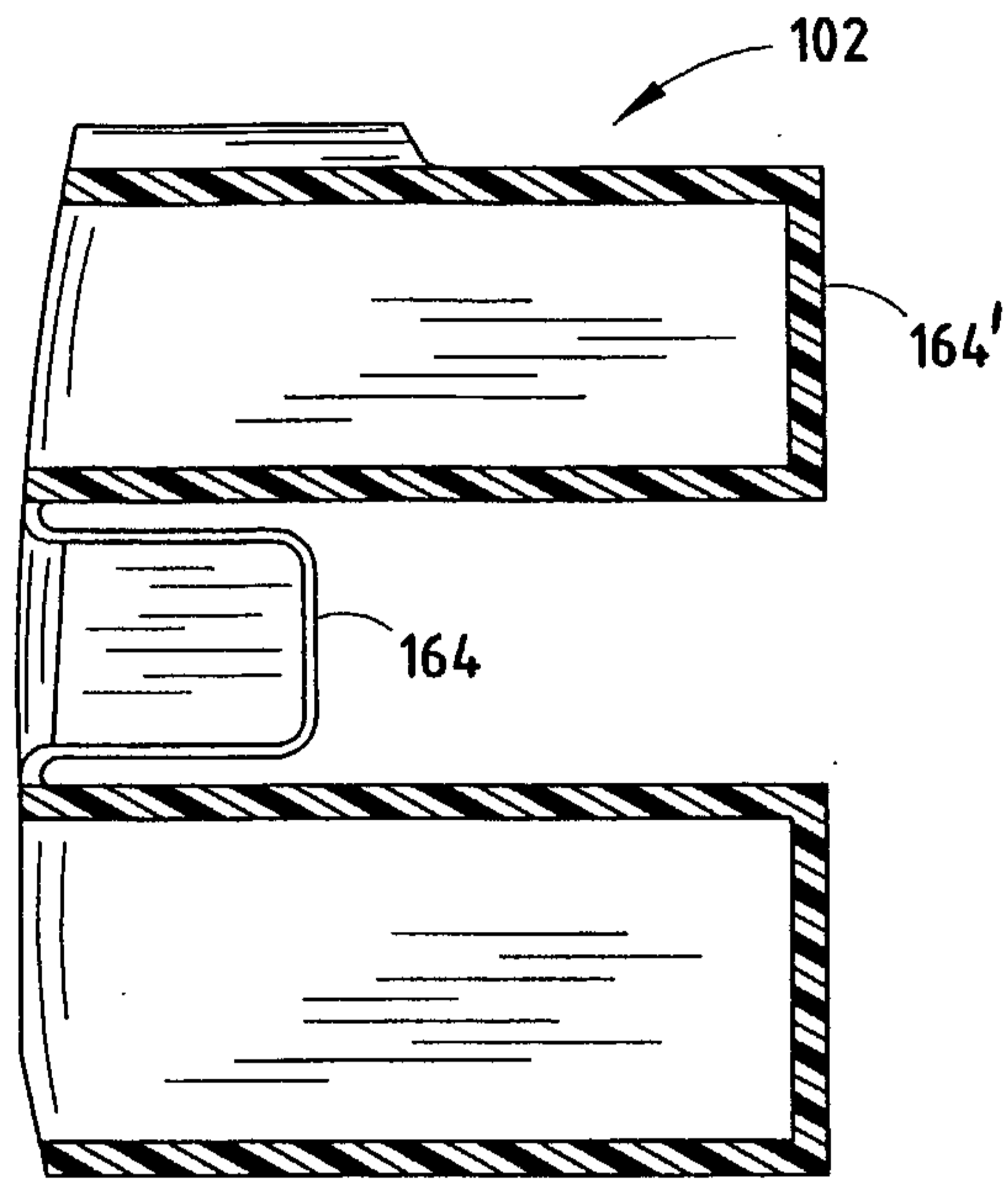


FIG. 22

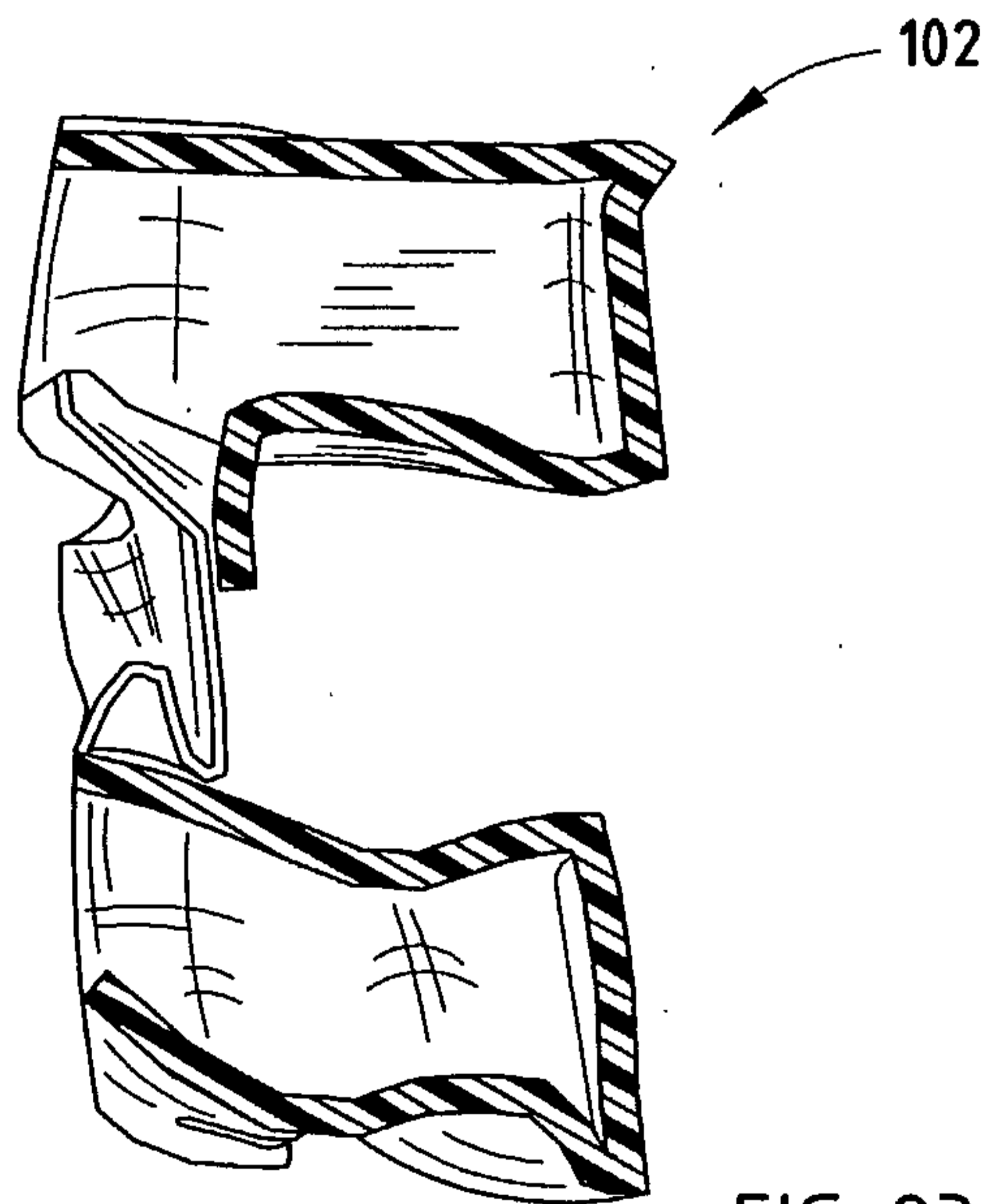


FIG. 23

