



US00D910601S

(12) **United States Design Patent**
Hu

(10) **Patent No.:** **US D910,601 S**

(45) **Date of Patent:** **** Feb. 16, 2021**

(54) **PAIR OF EARBUDS**

(71) Applicant: **Jinxiang Hu**, Ganzhou (CN)

(72) Inventor: **Jinxiang Hu**, Ganzhou (CN)

(**) Term: **15 Years**

(21) Appl. No.: **29/739,284**

(22) Filed: **Jun. 24, 2020**

(51) **LOC (13) Cl.** **14-01**

(52) **U.S. Cl.**
USPC **D14/223**

(58) **Field of Classification Search**
USPC D14/223, 205; D24/174, 106; D13/107,
D13/108; D3/294, 201, 218; D9/420,
D9/435, 432; D7/629, 709; 220/23.87,
220/526; 206/541; D28/83; 128/864,
128/865, 866; 455/90.3, 575.1, 569.1
CPC H04R 1/10; H04R 25/00; H04R 25/02;
H04R 1/1066; H04R 1/1016; H04R
1/1091; H04R 1/105; H02J 7/00
See application file for complete search history.

(56) **References Cited**

U.S. PATENT DOCUMENTS

- 4,122,841 A * 10/1978 Rock A61B 5/12
128/864
- 4,672,672 A * 6/1987 Eggert H04R 25/60
381/324
- 4,677,675 A * 6/1987 Killion H04R 25/48
381/322
- D299,344 S * 1/1989 Stevens D14/249
- 5,002,151 A * 3/1991 Oliveira A61F 11/08
181/130
- D515,070 S * 2/2006 Andre D14/205
- D553,077 S * 10/2007 Kim D13/108
- D555,152 S * 11/2007 Wang D14/223
- D564,495 S * 3/2008 Sasaki D14/205
- D572,703 S * 7/2008 Ledbetter D14/205
- D591,721 S * 5/2009 Densho D14/205

- D591,722 S * 5/2009 Densho D14/205
- D596,616 S * 7/2009 Andre D14/205
- D605,182 S * 12/2009 Fagnot D14/223
- 7,681,577 B2 * 3/2010 Blanchard A61F 11/08
128/864
- D627,766 S * 11/2010 Arimoto D14/223
- D633,086 S * 2/2011 Chen D14/223
- D641,738 S * 7/2011 Perez D14/223
- D651,196 S * 12/2011 Quek D14/223
- D662,493 S * 6/2012 Chen D14/223

(Continued)

FOREIGN PATENT DOCUMENTS

- EM 007699483-0001 * 2/2020
- EM 007718218-0001 * 2/2020

(Continued)

Primary Examiner — Paula Allen Greene
(74) *Attorney, Agent, or Firm* — Runit R. Kanakia

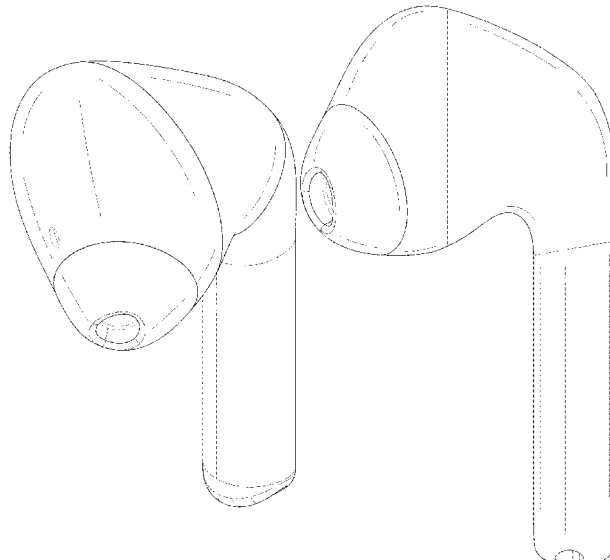
(57) **CLAIM**

The ornamental design for a pair of earbuds, as shown and described.

DESCRIPTION

FIG. 1 is a Perspective view of one earbud of a pair of earbuds showing my new design, the earbud is shown separately for ease of illustration;
 FIG. 2 is a Front view thereof;
 FIG. 3 is a Back view thereof;
 FIG. 4 is a Right-side view thereof;
 FIG. 5 is a Left-side view thereof;
 FIG. 6 is a Top view thereof;
 FIG. 7 is a Bottom view thereof; and,
 FIG. 8 is a perspective view of a pair of earbuds thereof, with the case is in open position.
 The broken line are for the purpose of illustrating portions of the pair of earbuds that form no part of the claimed design.

1 Claim, 8 Drawing Sheets



US D910,601 S

(56)

References Cited

U.S. PATENT DOCUMENTS

| | | | | | |
|-----------|------|---------|------------|-------|------------------------|
| D664,523 | S * | 7/2012 | Naitou | | D14/223 |
| D676,427 | S * | 2/2013 | Yang | | D14/223 |
| D681,015 | S * | 4/2013 | Akana | | H04R 1/10 D14/223 |
| D698,023 | S * | 1/2014 | Iseberg | | D24/174 |
| D702,668 | S * | 4/2014 | Narita | | H04R 1/1016 D14/223 |
| D711,857 | S * | 8/2014 | Burgett | | D14/223 |
| D718,284 | S * | 11/2014 | Shibusawa | | D14/223 |
| D721,678 | S * | 1/2015 | Thomas | | D14/223 |
| 9,042,588 | B2 * | 5/2015 | Aase | | H04R 1/1041 381/380 |
| D733,689 | S * | 7/2015 | Narita | | D14/223 |
| D738,864 | S * | 9/2015 | Lee | | D14/223 |
| D741,287 | S * | 10/2015 | Harata | | D14/205 |
| 9,197,956 | B2 * | 11/2015 | Iseberg | | H04R 1/1016 |
| D757,682 | S * | 5/2016 | Perez | | D14/205 |
| D757,925 | S * | 5/2016 | Hamer | | D24/106 |
| D770,412 | S * | 11/2016 | Son | | D14/205 |
| D798,844 | S * | 10/2017 | Nokuo | | D14/223 |
| D801,314 | S * | 10/2017 | Akana | | D14/223 |
| D806,388 | S * | 1/2018 | Akana | | D3/294 |
| D818,268 | S * | 5/2018 | Akana | | D3/294 |
| D838,480 | S * | 1/2019 | Son | | D3/294 |
| D841,580 | S * | 2/2019 | Bao | | D13/108 |
| D847,125 | S * | 4/2019 | Akana | | D14/223 |
| D847,794 | S * | 5/2019 | Guo | | D14/223 |
| D848,979 | S | 5/2019 | Kim et al. | | |

| | | | | | |
|--------------|------|---------|-------------|-------|------------------------|
| D848,980 | S | 5/2019 | Kim et al. | | |
| D848,982 | S | 5/2019 | Kim et al. | | |
| D849,401 | S * | 5/2019 | Akana | | D3/274 |
| D861,647 | S | 10/2019 | Chen | | |
| D865,720 | S * | 11/2019 | Deng | | D14/223 |
| D877,722 | S | 3/2020 | Yang | | |
| D883,260 | S * | 5/2020 | Hu | | D14/223 |
| D885,373 | S * | 5/2020 | Lundback | | D14/223 |
| D887,396 | S * | 6/2020 | Wang | | D14/223 |
| D889,437 | S * | 7/2020 | Ando | | D14/223 |
| D889,439 | S * | 7/2020 | Hsieh | | D14/223 |
| D890,091 | S * | 7/2020 | Cramer | | D13/108 |
| D890,724 | S * | 7/2020 | Li | | D14/223 |
| D893,462 | S * | 8/2020 | Liu | | D14/223 |
| D894,875 | S * | 9/2020 | Zhao | | D14/223 |
| D895,582 | S * | 9/2020 | Wu | | D14/223 |
| D896,206 | S * | 9/2020 | Xu | | D14/223 |
| D897,997 | S * | 10/2020 | Zhang | | D14/223 |
| 2012/0237074 | A1 * | 9/2012 | Aase | | H04R 1/1075 381/380 |
| 2015/0382100 | A1 * | 12/2015 | Azmi | | H04R 1/2811 381/380 |
| 2016/0360310 | A1 * | 12/2016 | Huang | | H04R 1/24 |
| 2017/0164087 | A1 * | 6/2017 | Kurtz | | H04R 1/1066 |
| 2019/0373354 | A1 * | 12/2019 | Sondergaard | | H01R 13/562 |

FOREIGN PATENT DOCUMENTS

| | | | | |
|----|----------------|---|--------|--|
| EM | 008042147-0001 | * | 7/2020 | |
| EM | 008084289-0001 | * | 8/2020 | |

* cited by examiner

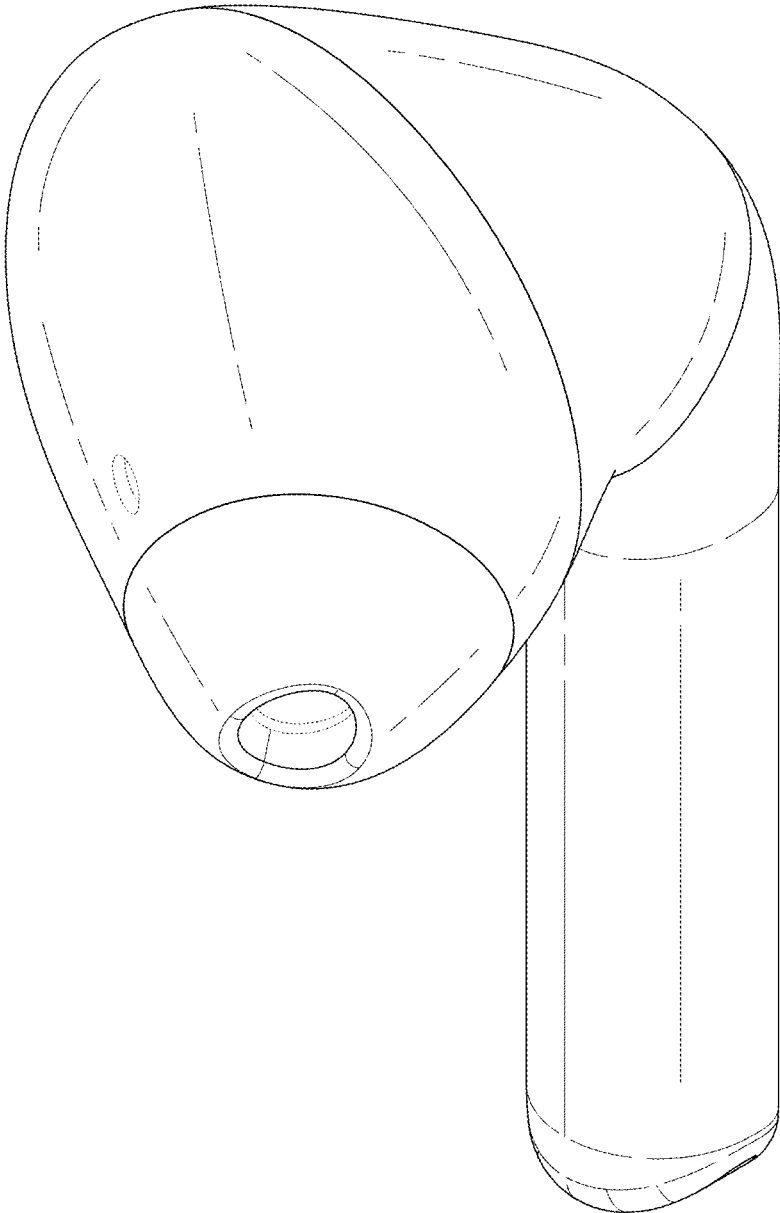


FIG. 1

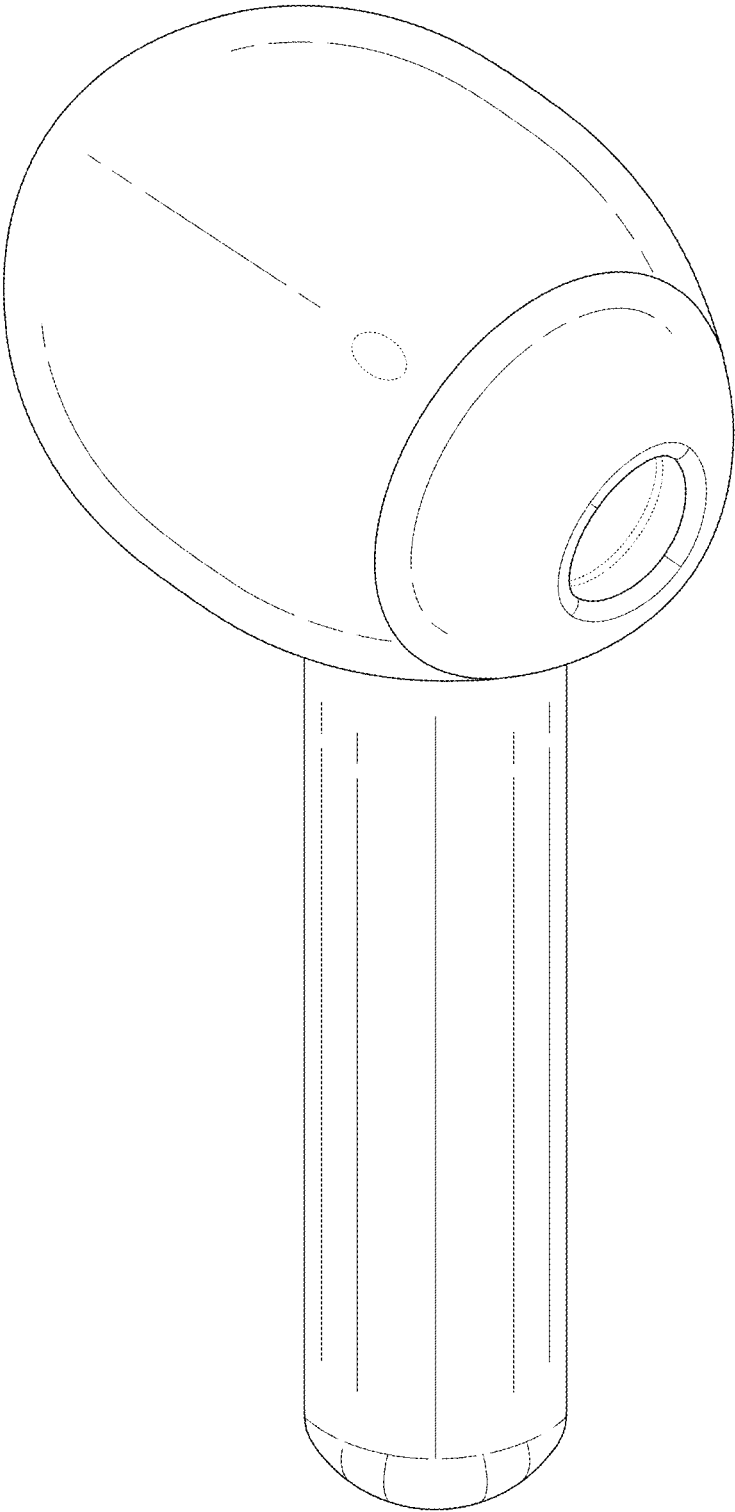


FIG. 2

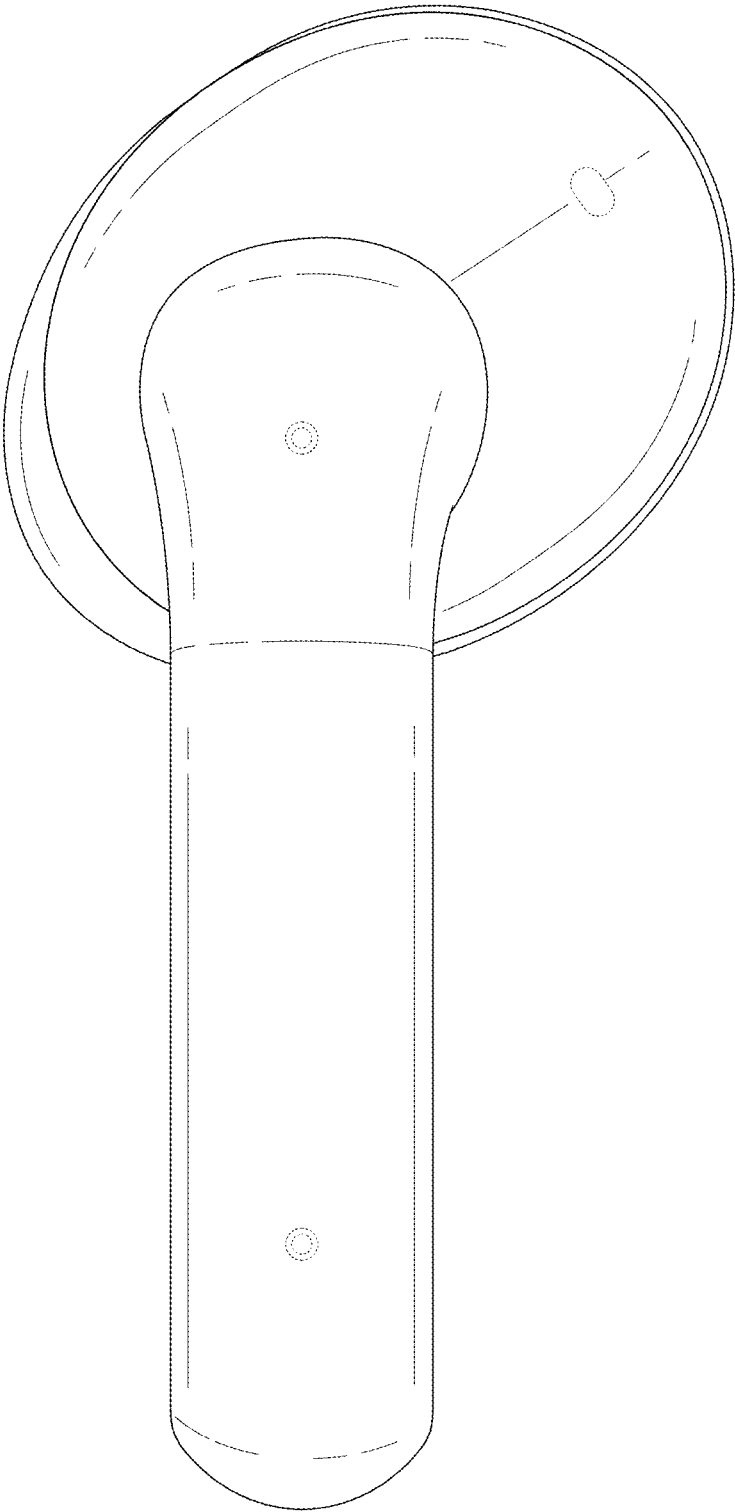


FIG. 3

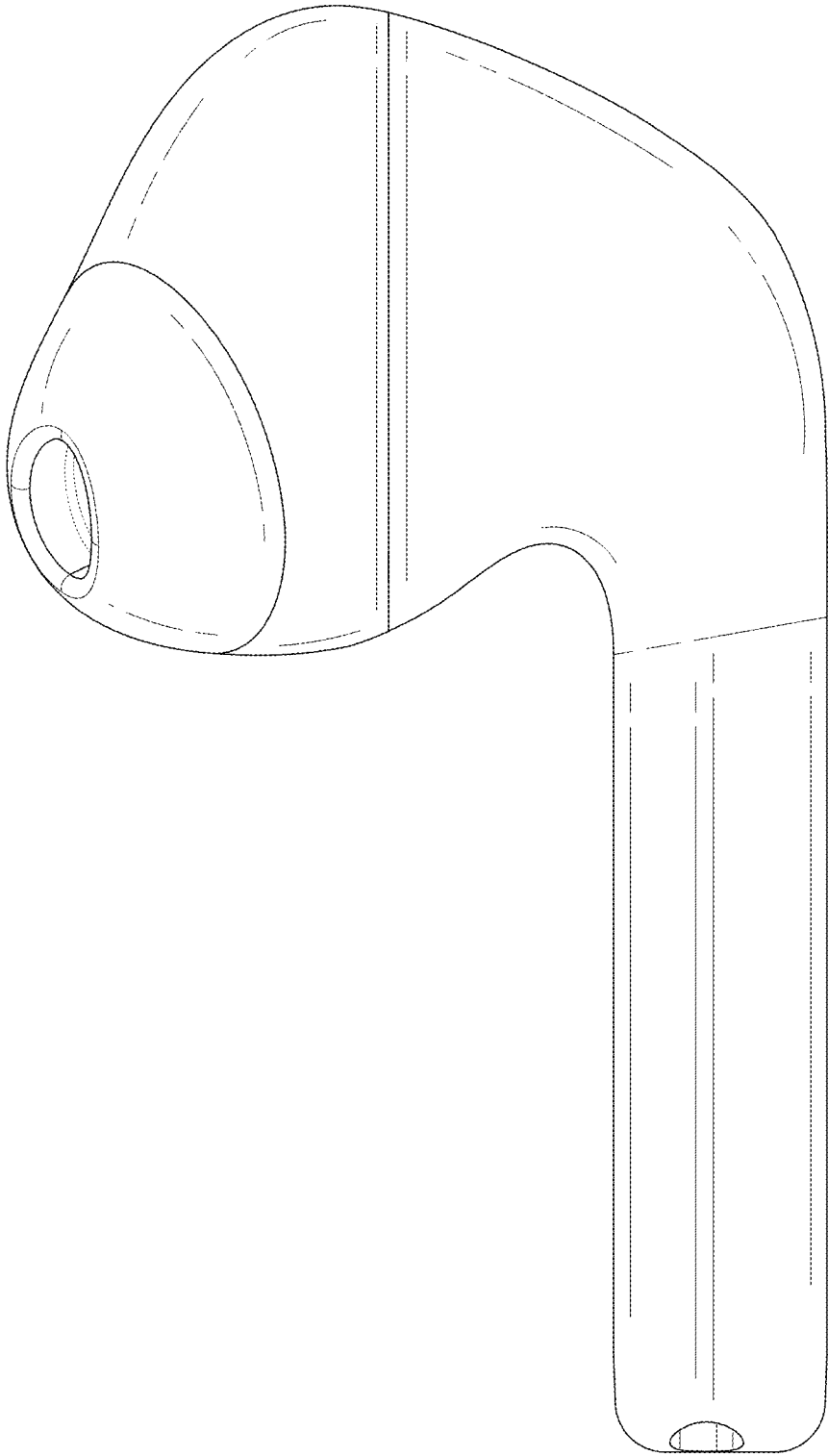


FIG. 4

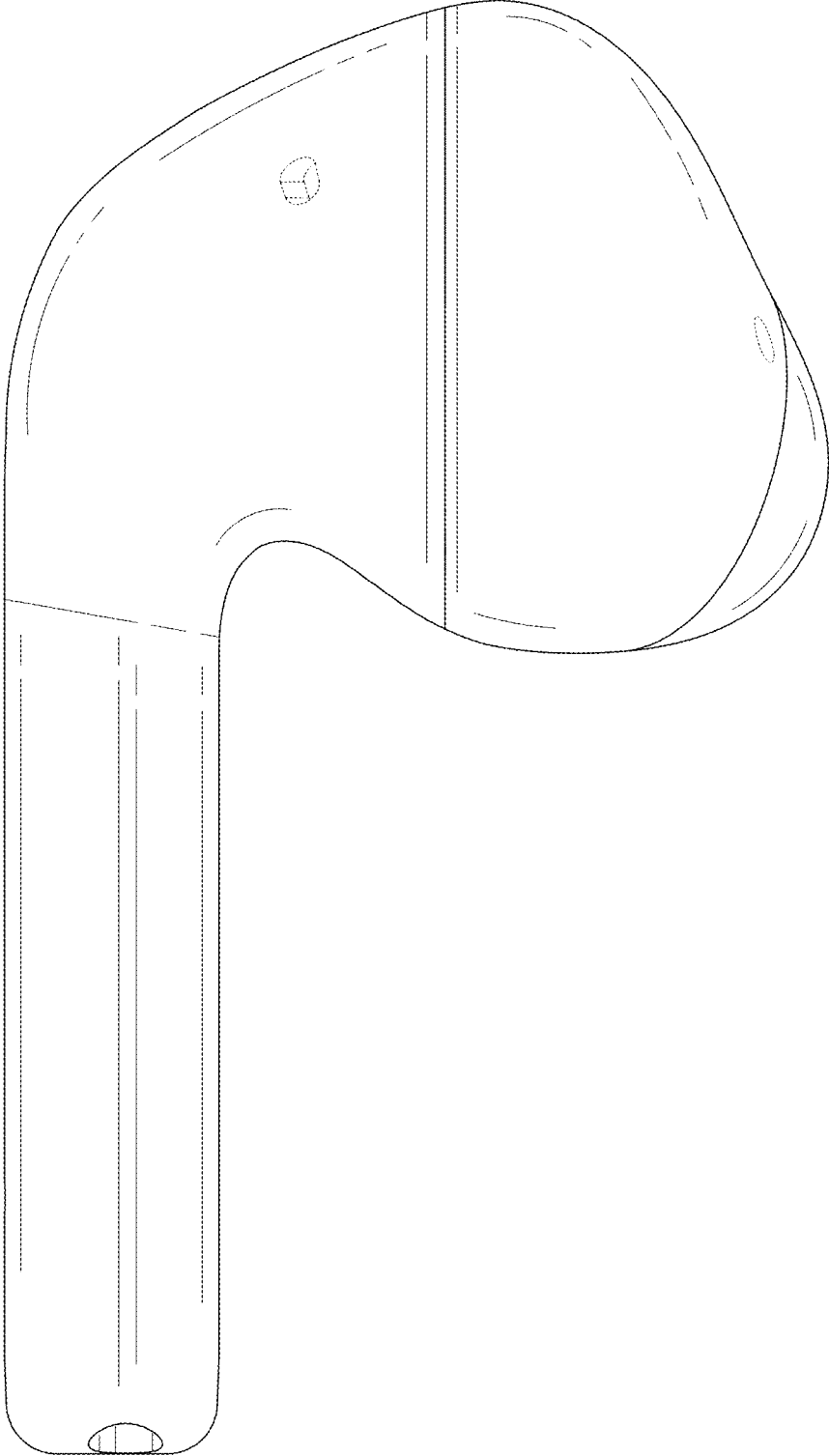


FIG. 5

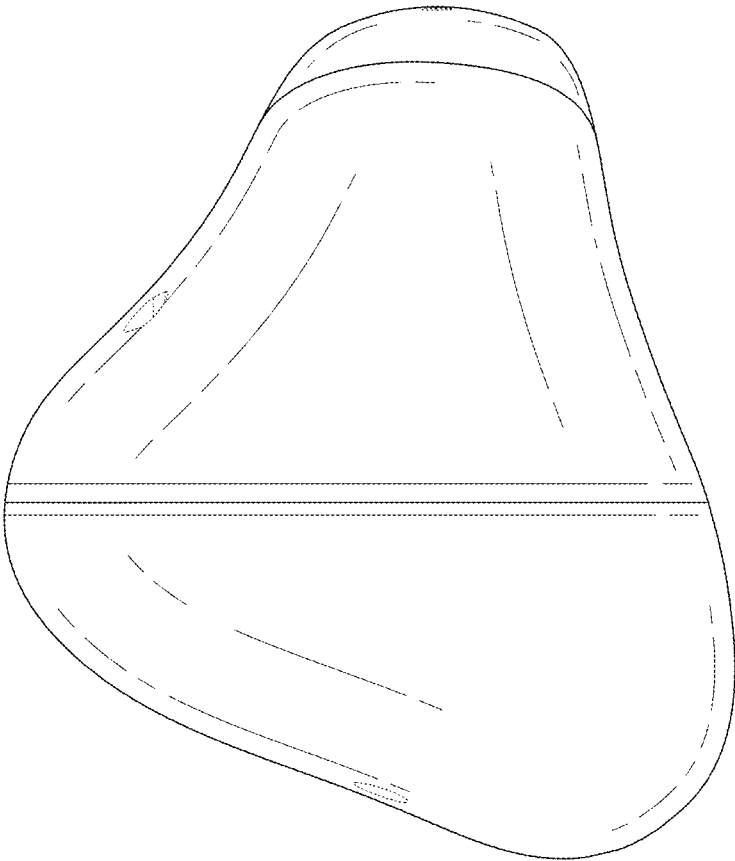


FIG. 6

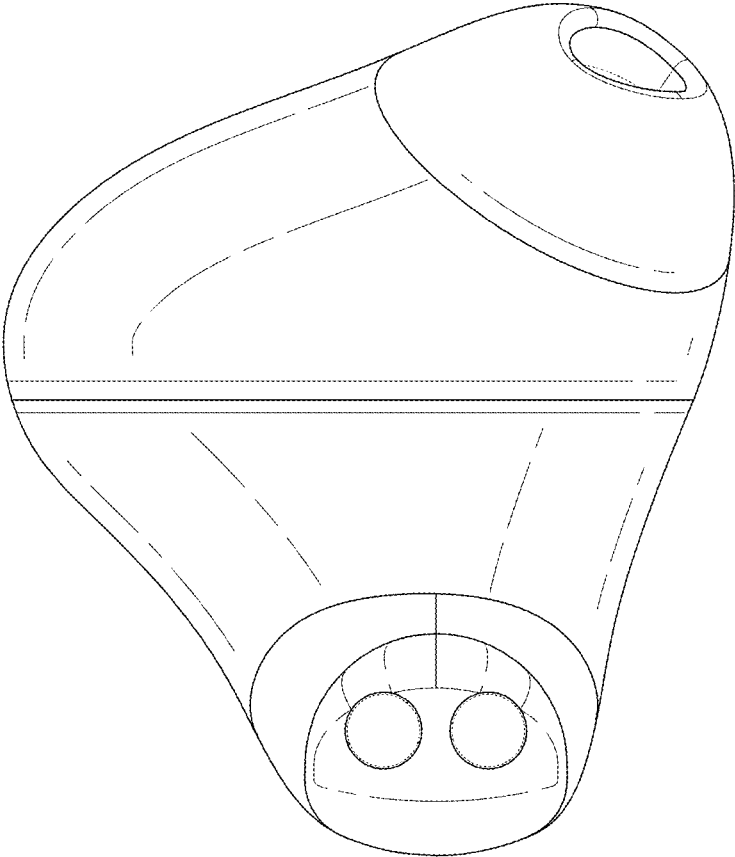


FIG. 7

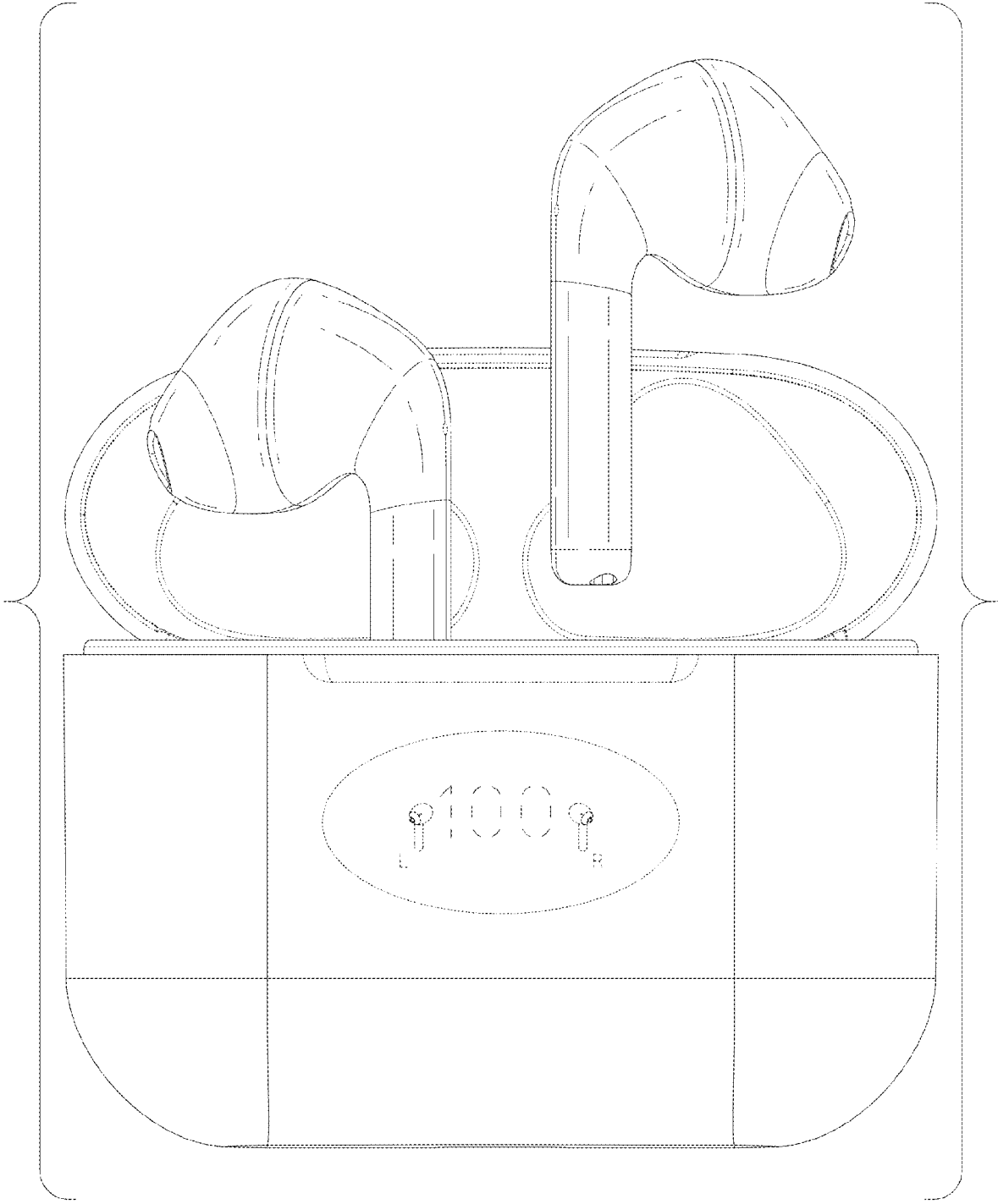


FIG. 8