



(12) **United States Design Patent** (10) **Patent No.:** **US D989,288 S**
Collins et al. (45) **Date of Patent:** **** Jun. 13, 2023**

- (54) **FRAME AND YOKE ASSEMBLY FOR A DIRECT NASAL MASK ASSEMBLY**
- (71) Applicant: **Fisher & Paykel Healthcare Limited**, Auckland (NZ)
- (72) Inventors: **Janine Elizabeth Collins**, Auckland (NZ); **Chris Onin Limpin Hipolito**, Auckland (NZ); **Jonathan Mark Downey**, Auckland (NZ); **Matthew Aaron Bradley**, Auckland (NZ); **Priyanka Ferdinand Pao**, Auckland (NZ); **Steve Thomas**, Auckland (NZ); **Silas Sao Jin Siew**, Auckland (NZ)
- (73) Assignee: **Fisher & Paykel Healthcare Limited**, Auckland (NZ)
- (**) Term: **15 Years**
- (21) Appl. No.: **29/839,286**
- (22) Filed: **May 19, 2022**

Related U.S. Application Data

- (60) Continuation of application No. 29/753,888, filed on Oct. 2, 2020, now Pat. No. Des. 955,558, which is a division of application No. 29/643,430, filed on Apr. 9, 2018, now Pat. No. Des. 901,003.
- (51) **LOC (14) Cl.** **29-02**
- (52) **U.S. Cl.**
 USPC **D24/110.4**
- (58) **Field of Classification Search**
 USPC D24/110, 110.1–110.6, 127
 CPC A61M 16/06; A61M 16/0605; A61M 16/0616; A61M 16/0622; A61M 16/0633; A61M 16/0644; A61M 16/0666; A61M 16/0672; A61M 16/0683

See application file for complete search history.

(56) **References Cited**

U.S. PATENT DOCUMENTS

D653,748 S	2/2012	Henry et al.	
D683,446 S *	5/2013	Eves	D24/110.4
D692,554 S	10/2013	Siew et al.	
D737,953 S	9/2015	Wells et al.	
D745,139 S	12/2015	Chen et al.	

(Continued)

OTHER PUBLICATIONS

Examination Report; Canadian Application No. 183905; dated Jul. 30, 2019; 3 pages.

(Continued)

Primary Examiner — Daniel J Domino

Assistant Examiner — Lee D. Starr

(74) *Attorney, Agent, or Firm* — Knobbe, Martens, Olson & Bear, LLP

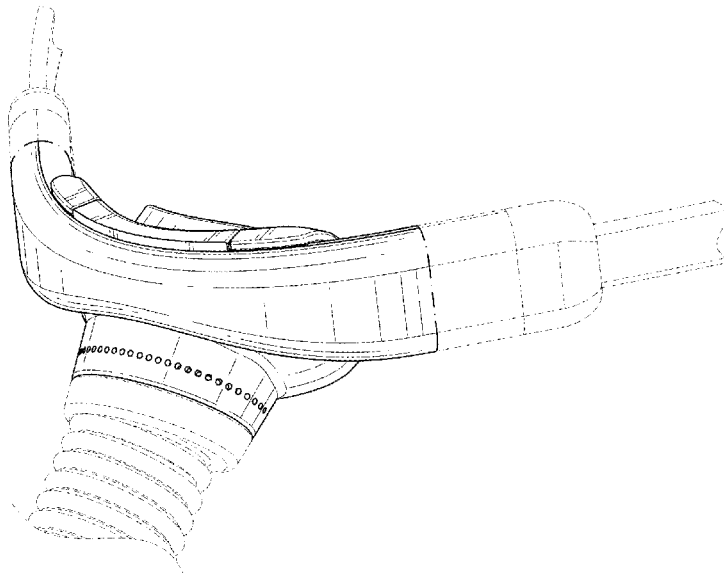
(57) **CLAIM**

The ornamental design for a frame and yoke assembly for a direct nasal mask assembly, as shown and described.

DESCRIPTION

FIG. 1 is a front, top, right perspective view of a frame and yoke assembly for a direct nasal mask assembly, showing our new design;
 FIG. 2 is a rear, bottom, left side perspective view thereof;
 FIG. 3 is a front view thereof;
 FIG. 4 is a rear view thereof;
 FIG. 5 is a right side view thereof;
 FIG. 6 is a left side view thereof;
 FIG. 7 is a top view thereof; and,
 FIG. 8 is a bottom view thereof.
 The dashed lines in the drawings show portions of the frame and yoke assembly for a direct nasal mask assembly Thereof that form no part of the claimed design. The dash-dot lines in the drawings form the bounds of the claimed design and form no part thereof.

1 Claim, 5 Drawing Sheets



(56)

References Cited

U.S. PATENT DOCUMENTS

D747,460 S * 1/2016 Hogeia D24/110.1
 D747,794 S * 1/2016 Greenberg D24/110.1
 D749,205 S 2/2016 Chen et al.
 D757,252 S 5/2016 Moger et al.
 D770,036 S 10/2016 Walls et al.
 D797,921 S 9/2017 Huang et al.
 D815,728 S 4/2018 Walls et al.
 10,080,856 B2 9/2018 McLaren et al.
 D849,930 S 5/2019 Walls et al.
 D855,793 S * 8/2019 Gordon D24/110.4
 D857,190 S 8/2019 Siew et al.
 D861,857 S 10/2019 Huang et al.
 D867,577 S 11/2019 Walls et al.
 D875,241 S 2/2020 Siew et al.
 D875,242 S 2/2020 Gordon et al.
 D901,003 S 11/2020 Gardiola et al.
 D950,708 S * 5/2022 Dantanarayana D24/110.1
 D955,553 S * 6/2022 Siew D24/110.1
 D955,558 S * 6/2022 Collins D24/110.1
 2012/0090622 A1 4/2012 Chang
 2013/0042871 A1 2/2013 Chang
 2013/0186404 A1* 7/2013 Chien A61M 16/0825
 128/206.21
 2013/0220327 A1 8/2013 Barlow
 2014/0000614 A1 1/2014 Chang

2015/0151071 A1 6/2015 Von Moger et al.
 2016/0051784 A1* 2/2016 Eury A61M 16/0616
 128/207.18
 2016/0151596 A1 6/2016 Slight et al.
 2016/0287830 A1 10/2016 Walls et al.
 2017/0049984 A1 2/2017 Biener et al.
 2018/0078725 A1* 3/2018 Richardson A61M 16/0666
 2018/0207385 A1 7/2018 Freestone et al.
 2018/0304036 A1 10/2018 Huang et al.
 2019/0022343 A1 1/2019 Kooij et al.
 2019/0030272 A1 1/2019 Graham et al.
 2019/0151592 A1 5/2019 Bornholdt et al.
 2019/0217039 A1 7/2019 Hocking et al.
 2019/0374737 A1 12/2019 Collins et al.
 2020/0129720 A1 4/2020 McLaren et al.
 2020/0197649 A1 6/2020 Haibach
 2020/0230343 A1* 7/2020 Sims A61M 16/0683
 2020/0282169 A1 9/2020 Pereira et al.
 2021/0008316 A1 1/2021 McLaren et al.
 2022/0023574 A1* 1/2022 Sullivan A61M 16/0816
 2022/0031989 A1* 2/2022 Galgali A61M 16/0875

OTHER PUBLICATIONS

Canadian Intellectual Property Office, Examination Report, Application No. 195493, dated Oct. 8, 2020, in 1 page.

* cited by examiner

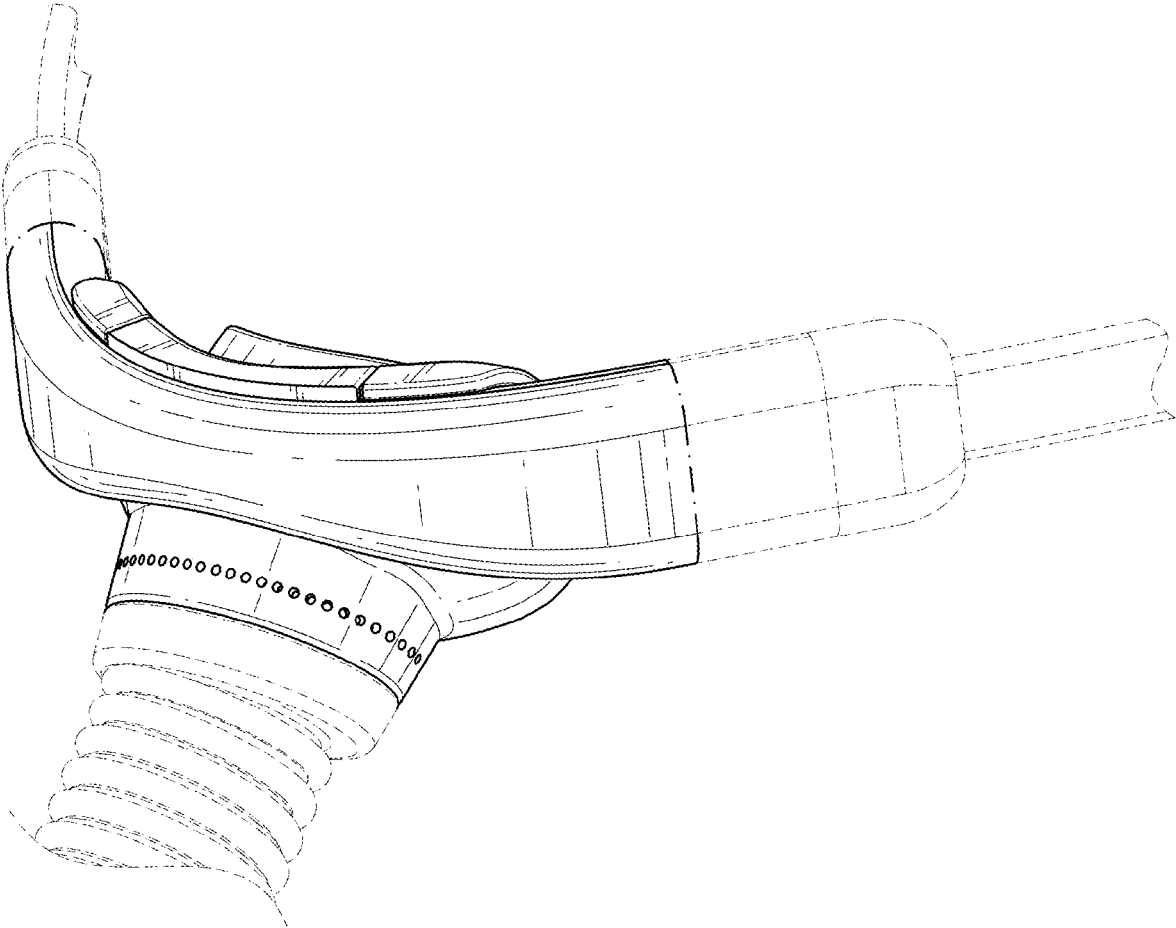


FIG. 1

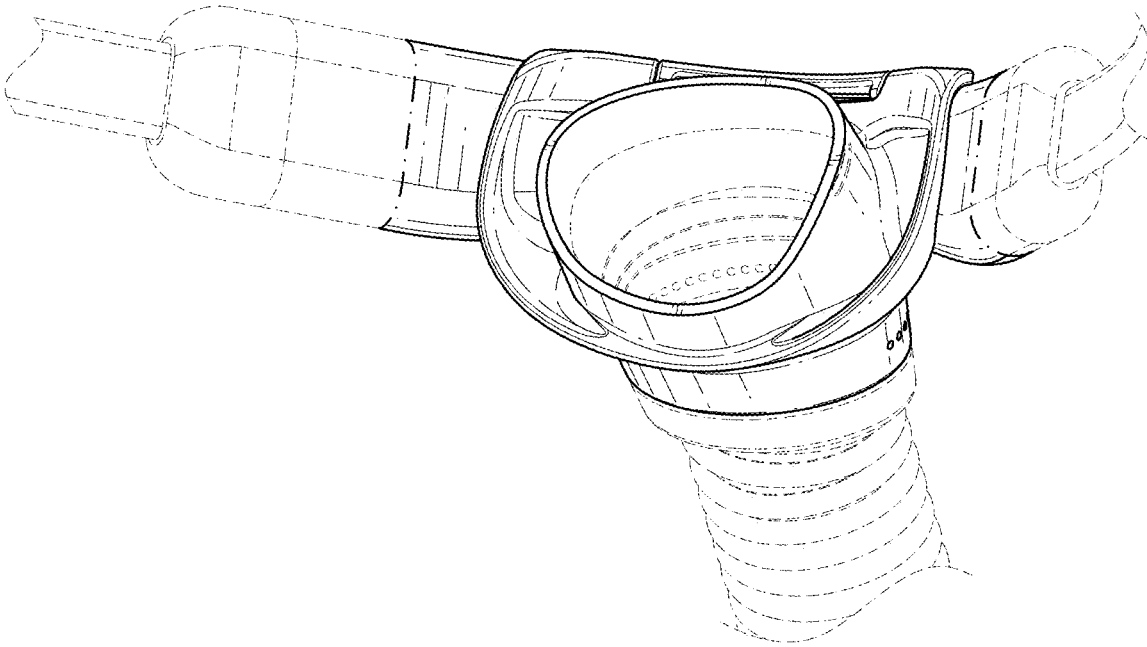


FIG. 2

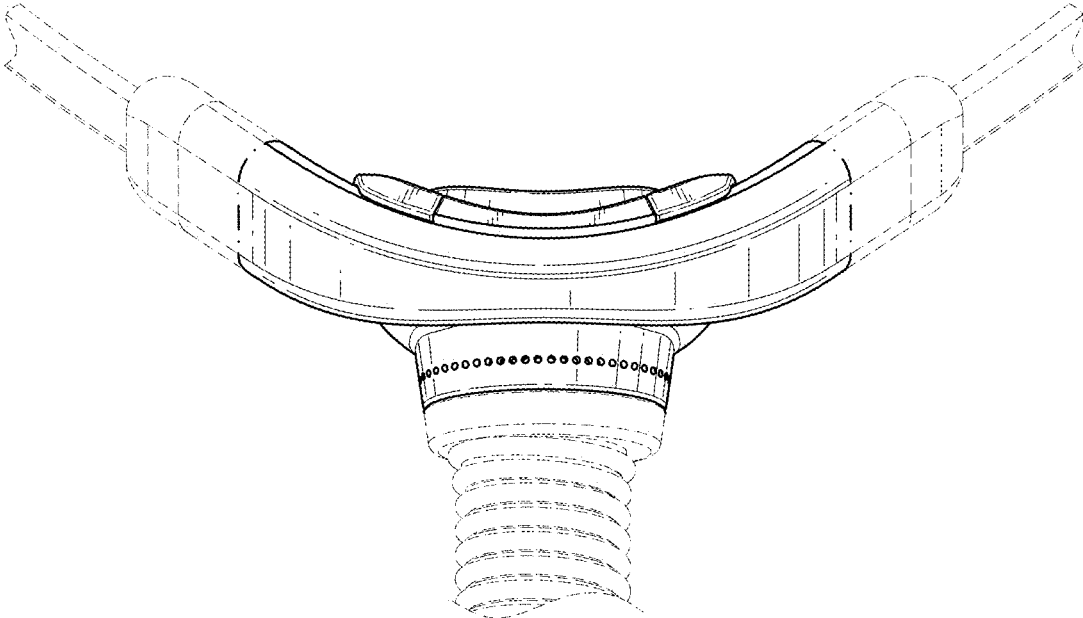


FIG. 3

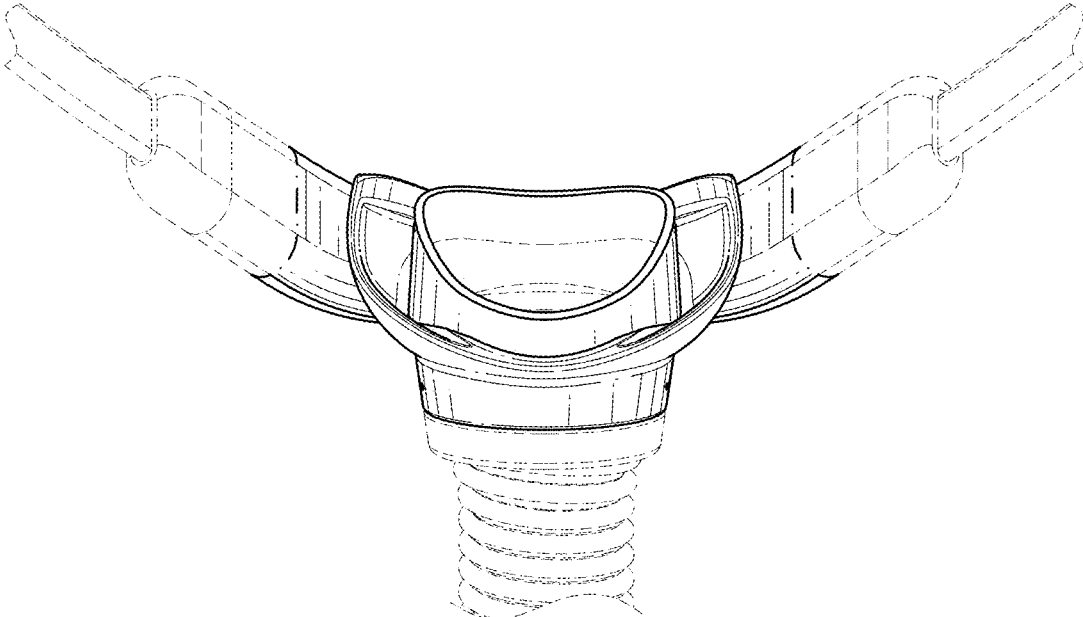


FIG. 4

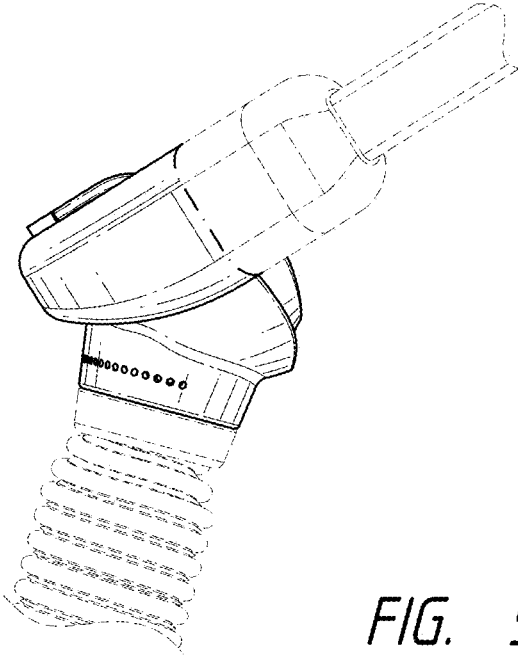


FIG. 5

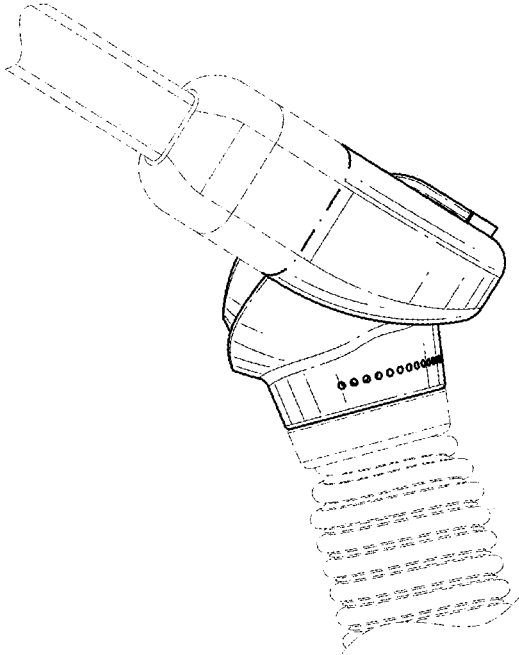


FIG. 6

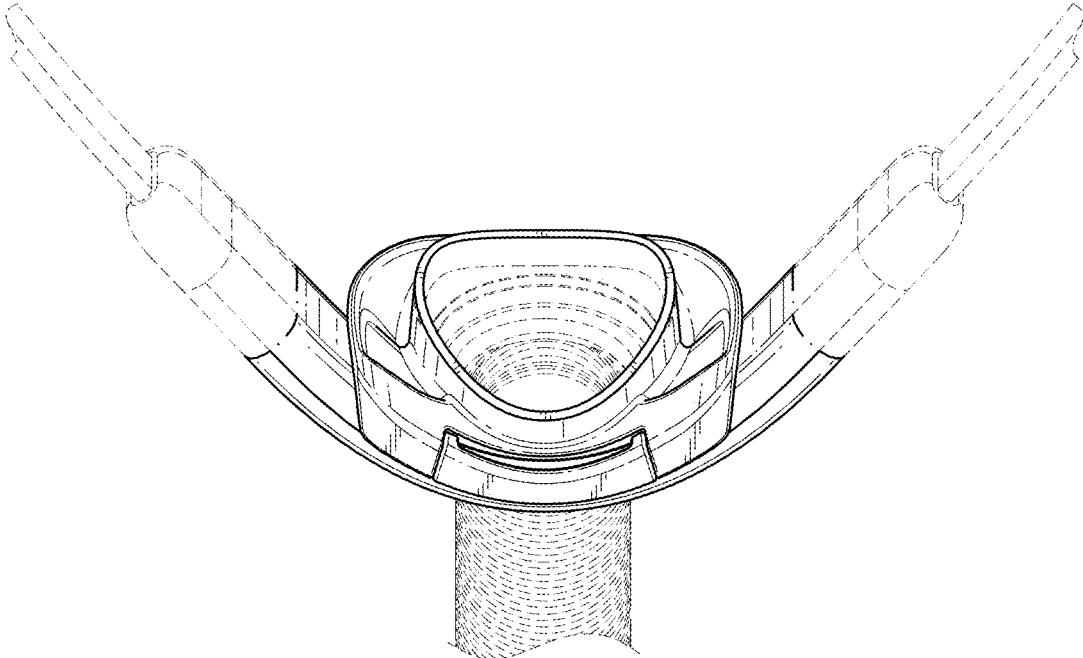


FIG. 7

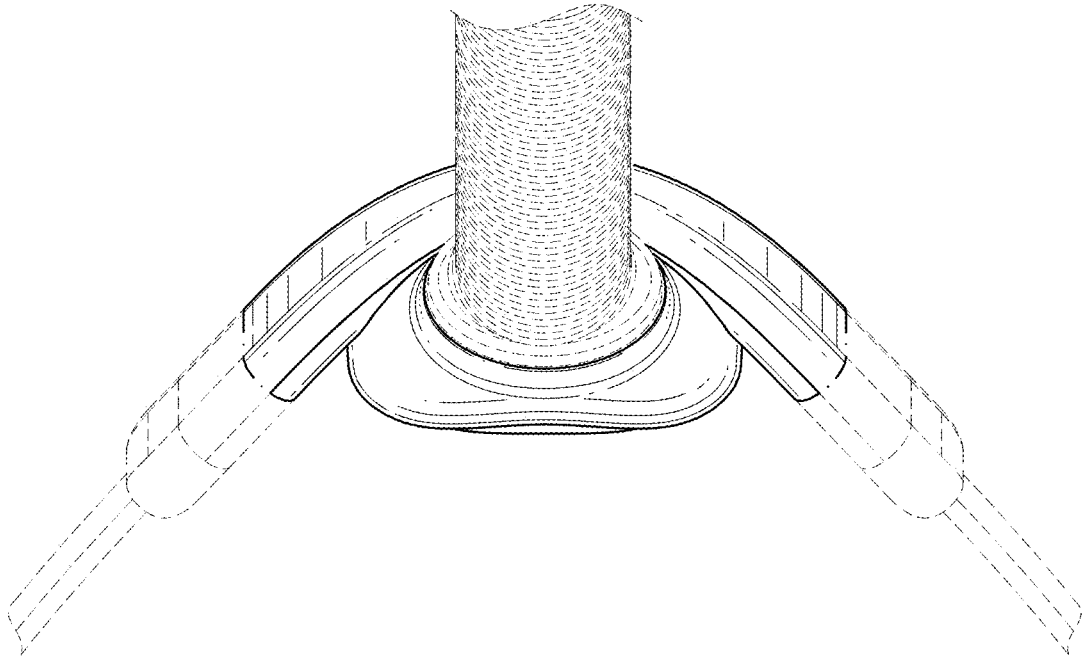


FIG. 8