



US00D716141S

(12) **United States Design Patent**
Rush

(10) **Patent No.:** **US D716,141 S**

(45) **Date of Patent:** **** Oct. 28, 2014**

(54) **CUP LID**

(75) Inventor: **Jonathan E. Rush**, Mount Bethel, PA (US)

(73) Assignee: **Dixie Consumer Products LLC**, Atlanta, GA (US)

(**) Term: **14 Years**

(21) Appl. No.: **29/425,353**

(22) Filed: **Jun. 21, 2012**

(51) **LOC (10) Cl.** **09-07**

(52) **U.S. Cl.**
USPC **D9/447**

(58) **Field of Classification Search**
USPC D7/300, 300.1, 321, 396.2, 500, 507, D7/509, 510, 511; D9/434, 435, 443, 444, D9/445, 447, 452, 455; 215/200, 235, 236, 215/252, 254, 329, 355-364; 220/203.04-203.07, 220, 254.1, 254.4, 220/703, 704, 705

See application file for complete search history.

(56) **References Cited**

U.S. PATENT DOCUMENTS

D287,919 S * 1/1987 Clements D7/392.1
D379,928 S * 6/1997 Freek et al. D9/447

(Continued)

FOREIGN PATENT DOCUMENTS

CA 2584589 A1 10/2007

Primary Examiner — Robert M Spear

Assistant Examiner — Marissa Cash

(74) *Attorney, Agent, or Firm* — William W. Letson

(57) **CLAIM**

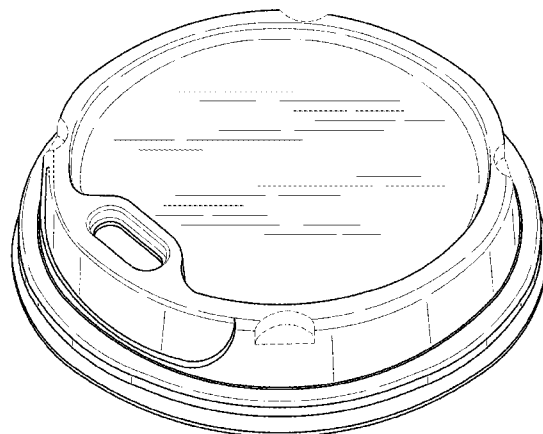
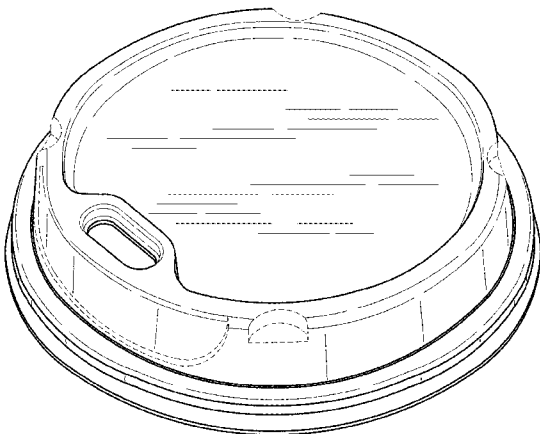
The ornamental design for a cup lid, as shown and described.

DESCRIPTION

FIG. 1 is a perspective view of a first embodiment of a cup lid; FIG. 2 is a top plan view of the cup lid of FIG. 1; FIG. 3 is a bottom plan view of the cup lid of FIG. 1; FIG. 4 is a front view of the cup lid of FIG. 1; FIG. 5 is a back view of the cup lid of FIG. 1; FIG. 6 is a right side view of the cup lid of FIG. 1; FIG. 7 is a left side view of the cup lid of FIG. 1; FIG. 8 is a perspective view of a second embodiment of the cup lid; FIG. 9 is a top plan view of the cup lid of FIG. 8; FIG. 10 is a bottom plan view of the cup lid of FIG. 8; FIG. 11 is a front view of the cup lid of FIG. 8; FIG. 12 is a back view of the cup lid of FIG. 8; FIG. 13 is a right side view of the cup lid of FIG. 8; FIG. 14 is a left side view of the cup lid of FIG. 8; FIG. 15 is a perspective view of a third embodiment of the cup lid; FIG. 16 is a top plan view of the cup lid of FIG. 15; FIG. 17 is a bottom plan view of the cup lid of FIG. 15; FIG. 18 is a front view of the cup lid of FIG. 15; FIG. 19 is a right side view of the cup lid of FIG. 15; FIG. 20 is a left side view of the cup lid of FIG. 15; and, FIG. 21 is a back view of the cup lid of FIG. 15.

In the drawings, the broken lines depict unclaimed environmental subject matter only and form no part of the claimed design.

1 Claim, 14 Drawing Sheets



(56)

References Cited

U.S. PATENT DOCUMENTS

| | | | | | | | |
|--------------|---------|-------------------|--------|-------------------|---------|---------------------|---------|
| D402,556 S | 12/1998 | Frye | | D592,056 S * | 5/2009 | Tedford, Jr. | D9/447 |
| D417,845 S | 12/1999 | Sadlier et al. | | 7,845,510 B2 | 12/2010 | Schmidtner et al. | |
| D489,260 S | 5/2004 | Smith et al. | | 7,850,037 B2 | 12/2010 | Schmidtner et al. | |
| 6,732,875 B2 | 5/2004 | Smith et al. | | 7,874,447 B2 | 1/2011 | Schmidtner et al. | |
| D516,424 S | 3/2006 | Schweigert | | D635,855 S * | 4/2011 | Smith et al. | D9/447 |
| D531,033 S | 10/2006 | Schmidtner et al. | | D658,057 S * | 4/2012 | Donat | D9/447 |
| D533,779 S | 12/2006 | Schmidtner et al. | | D675,524 S * | 2/2013 | Bickert et al. | D9/447 |
| 7,156,251 B2 | 1/2007 | Smith et al. | | D696,940 S * | 1/2014 | Hale et al. | D9/447 |
| 7,159,732 B2 | 1/2007 | Smith et al. | | D696,942 S * | 1/2014 | Kim | D9/447 |
| 7,246,715 B2 | 7/2007 | Smith et al. | | 2003/0197012 A1 * | 10/2003 | Smith et al. | 220/253 |
| D591,595 S * | 5/2009 | Tedford, Jr. | D9/447 | 2005/0173434 A1 * | 8/2005 | O'Neal | 220/212 |
| | | | | 2006/0000832 A1 | 1/2006 | Smith et al. | |
| | | | | 2006/0071008 A1 * | 4/2006 | Sadlier | 220/713 |
| | | | | 2006/0243734 A1 | 11/2006 | Tedford, Jr. | |

* cited by examiner

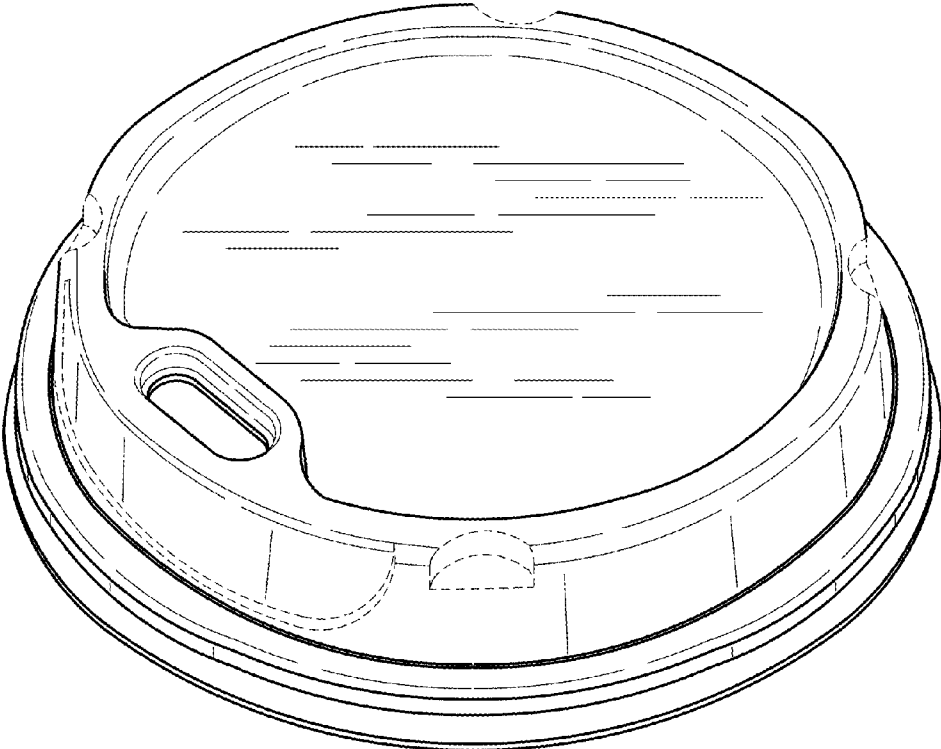


Fig. 1

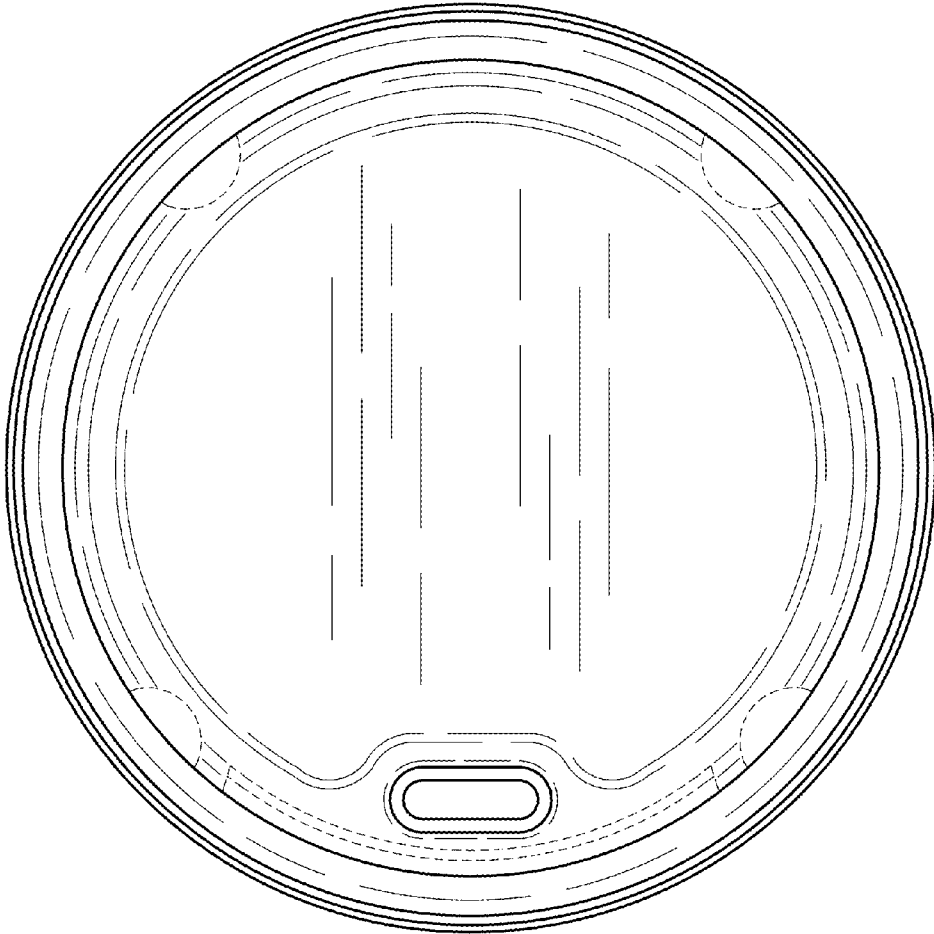


Fig. 2

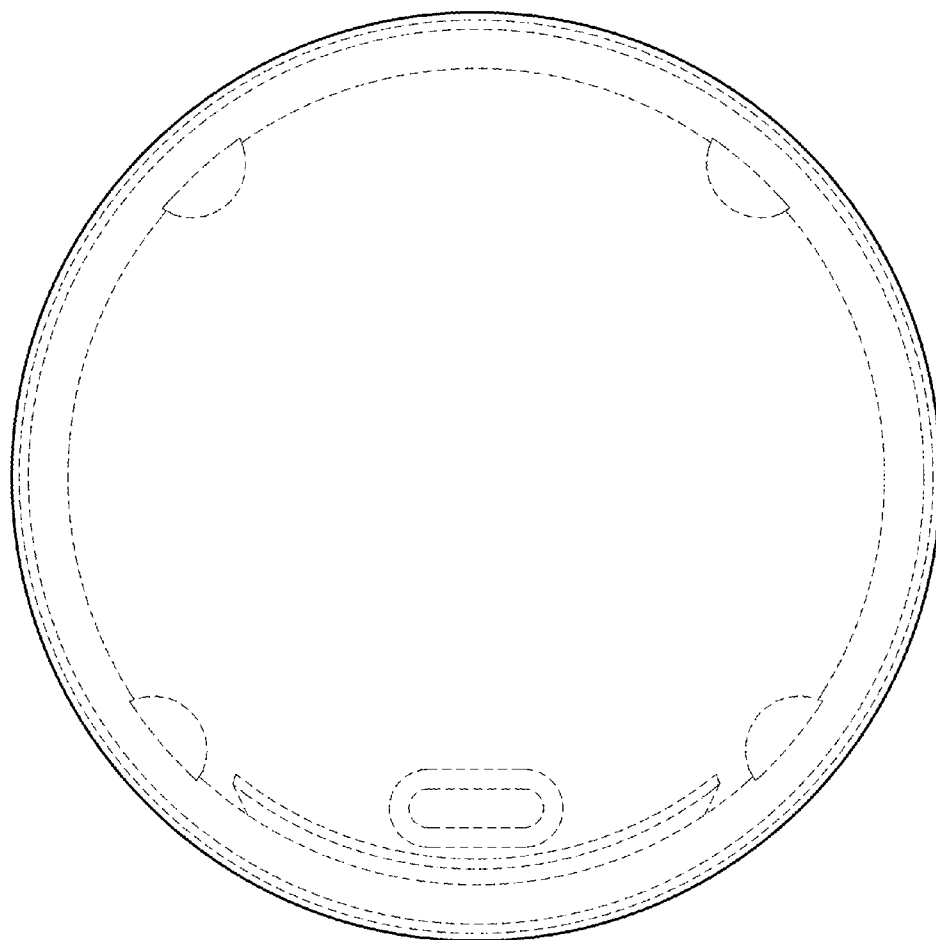


Fig. 3

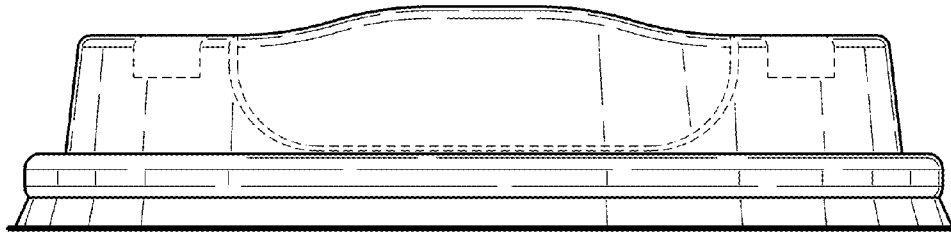


Fig. 4

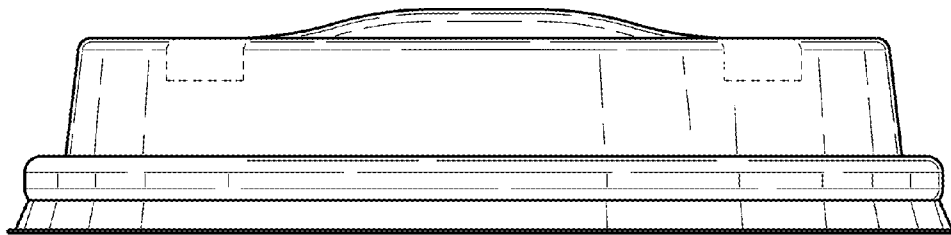


Fig. 5

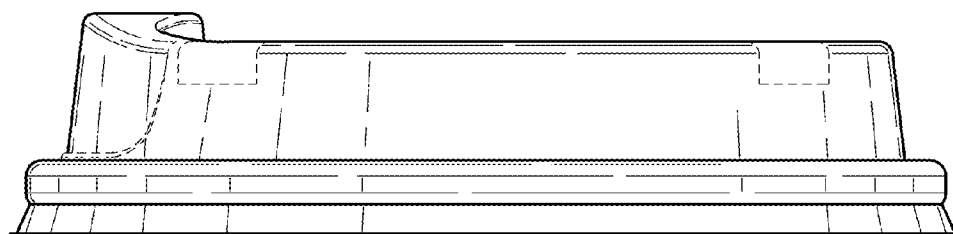


Fig. 6

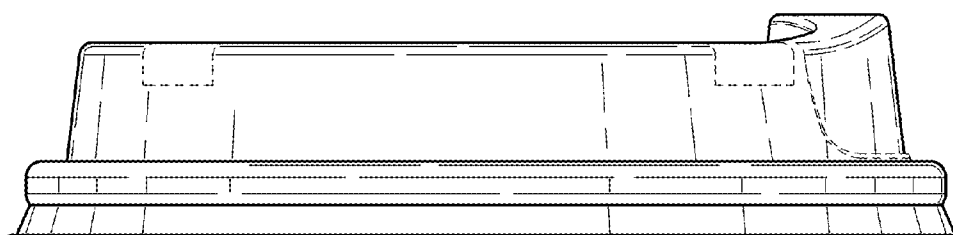


Fig. 7

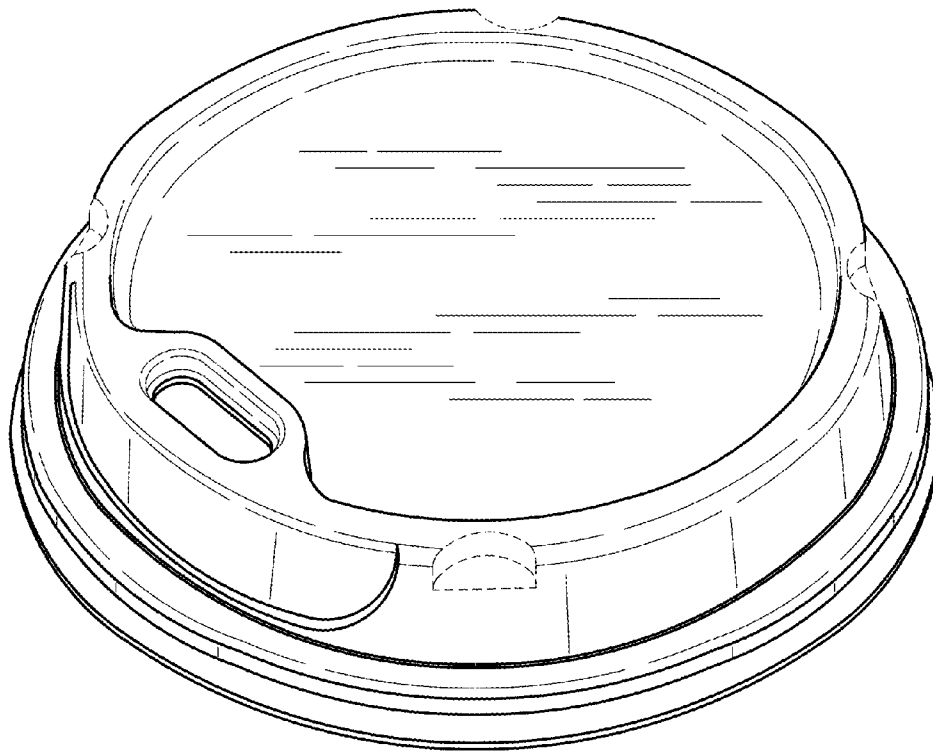


Fig. 8

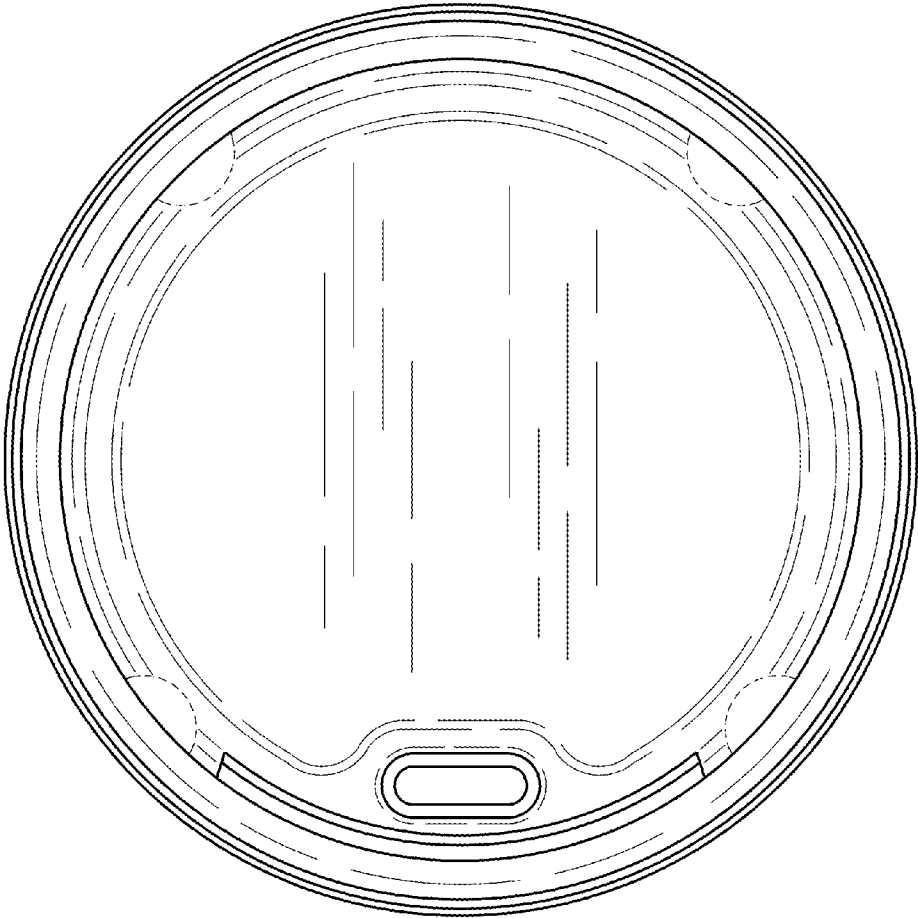


Fig. 9

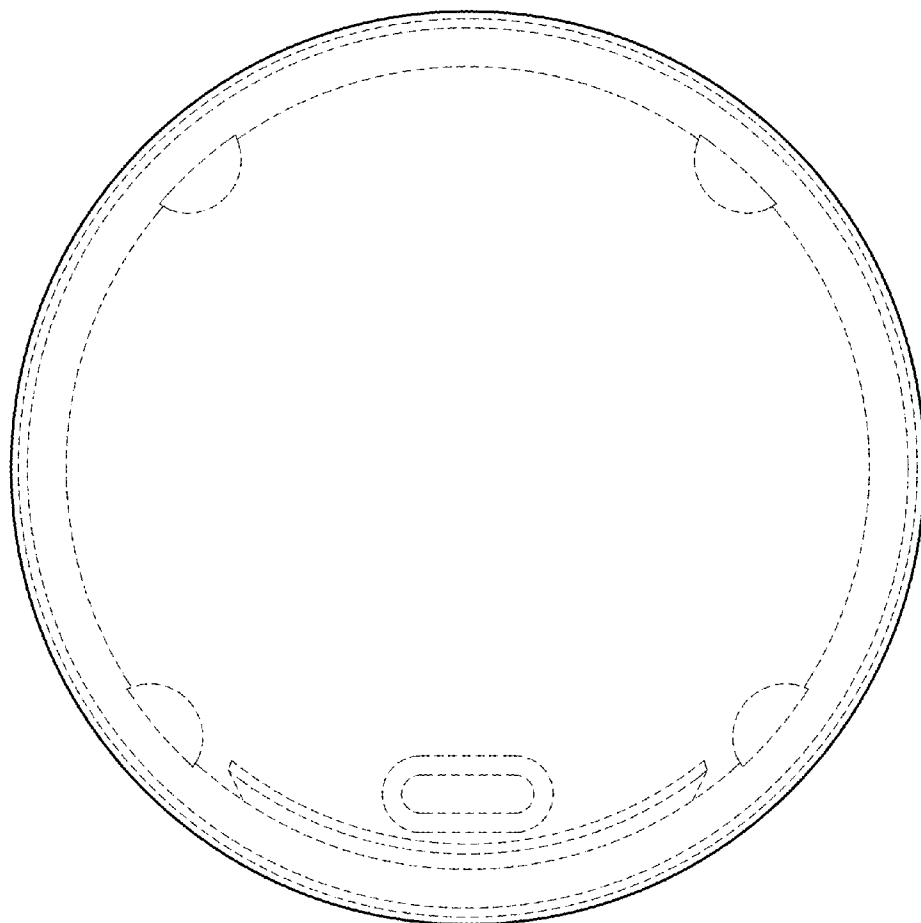


Fig. 10

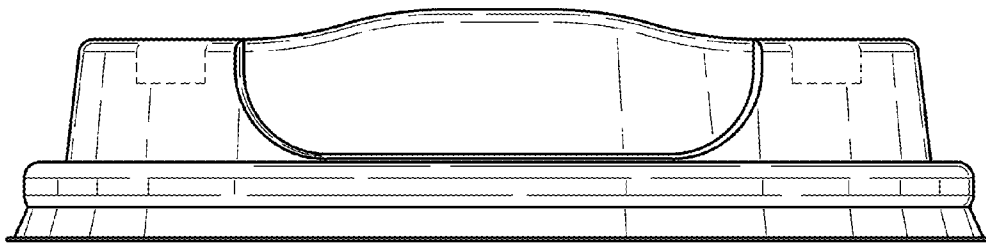


Fig. 11

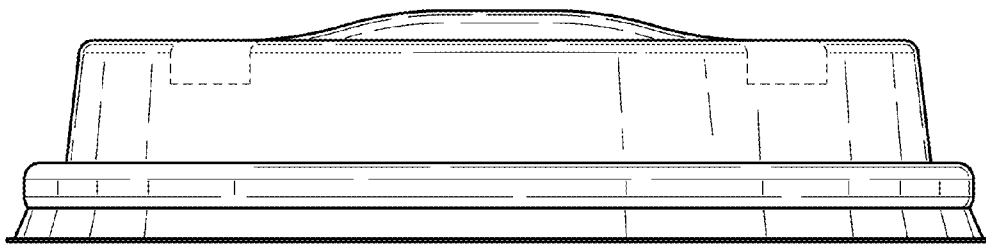


Fig. 12

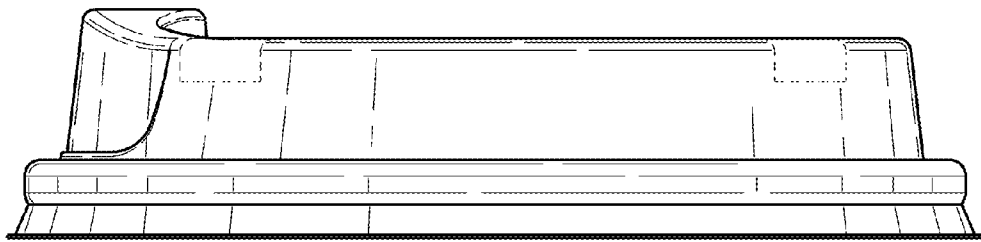


Fig. 13

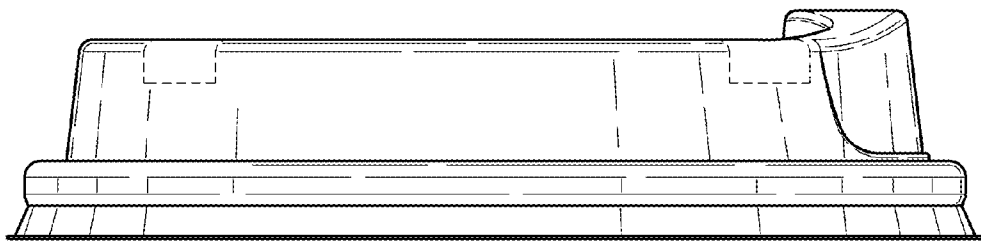


Fig. 14

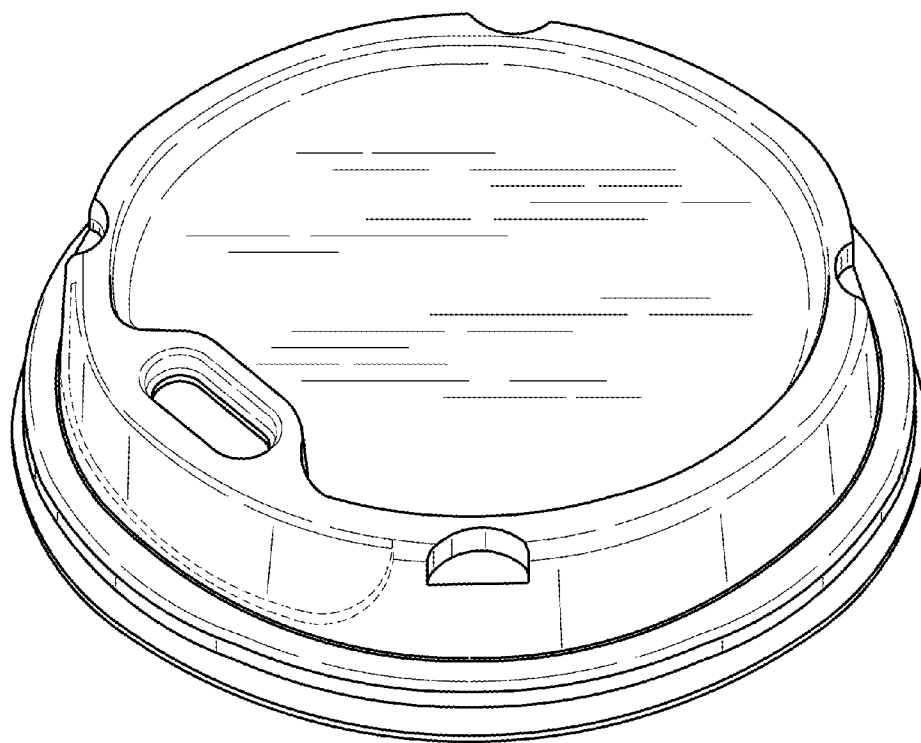


Fig. 15

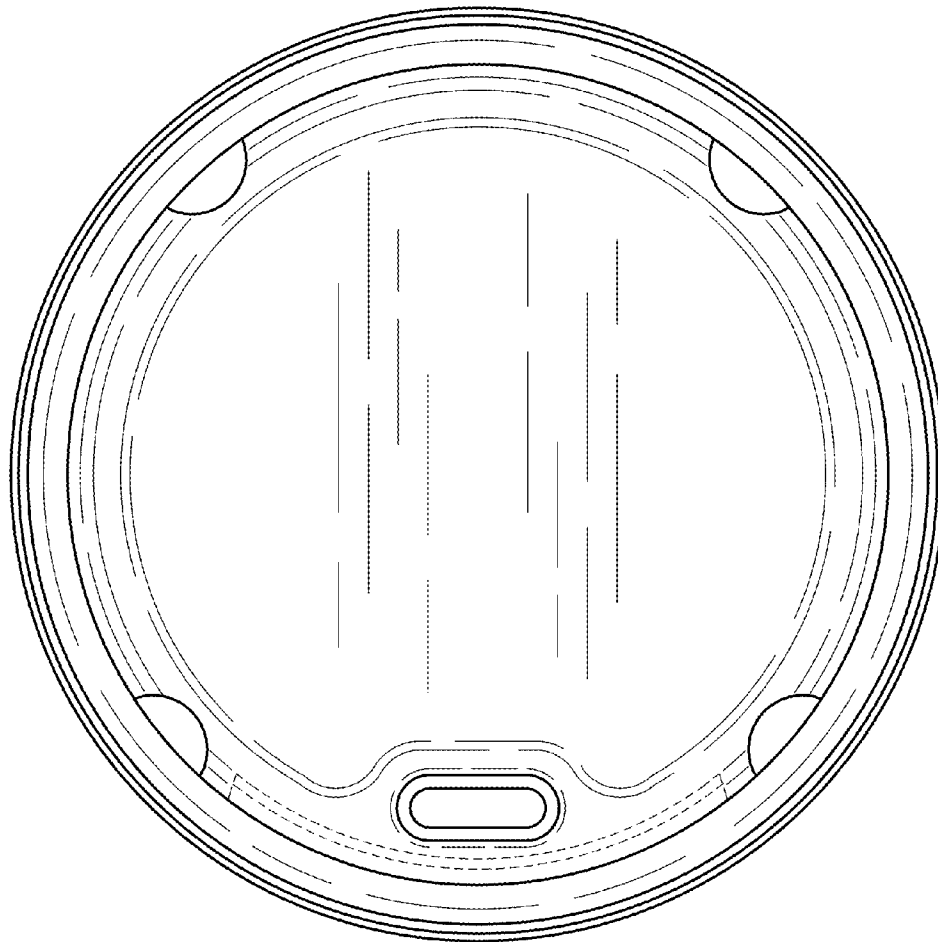


Fig. 16

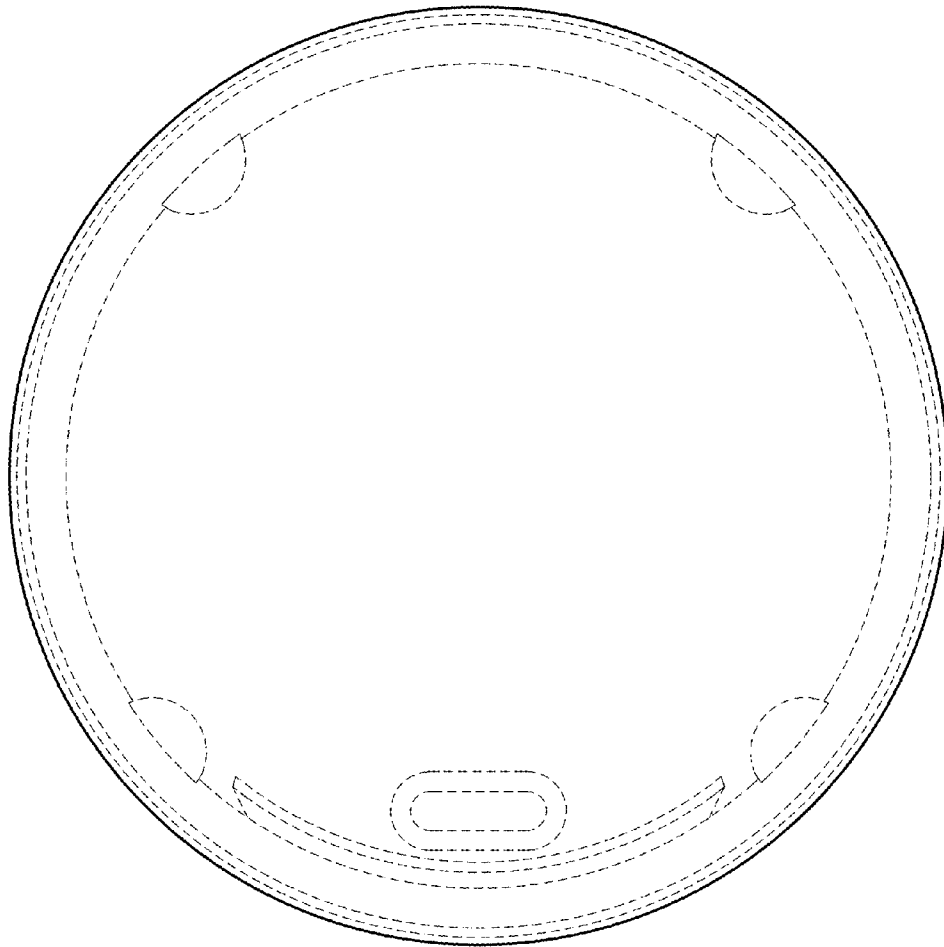


Fig. 17

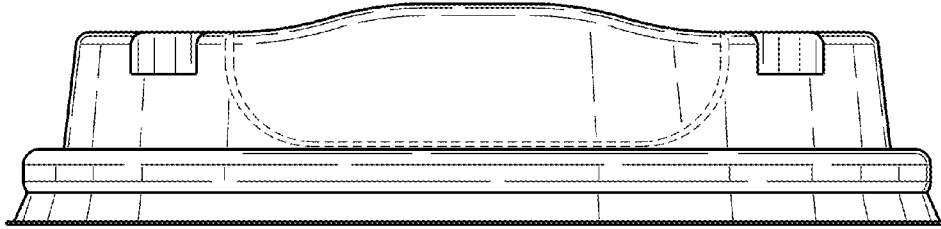


Fig. 18

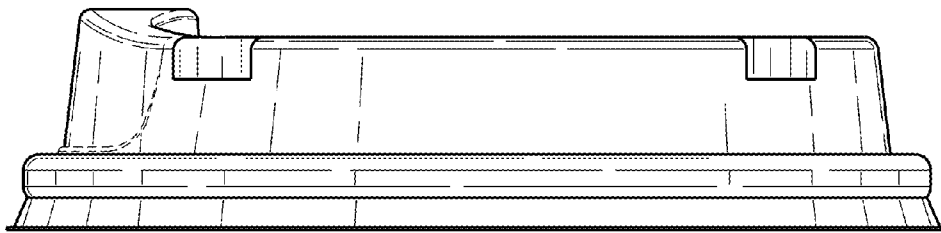


Fig. 19

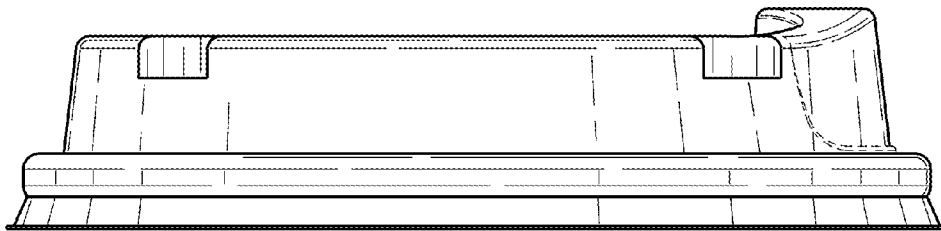


Fig. 20



Fig. 21