



- (51) **International Patent Classification:**
A45C 13/10 (2006.01)
- (21) **International Application Number:**
PCT/US2022/079116
- (22) **International Filing Date:**
02 November 2022 (02.11.2022)
- (25) **Filing Language:** English
- (26) **Publication Language:** English
- (30) **Priority Data:**
63/274,728 02 November 2021 (02.11.2021) US
- (71) **Applicant: BECCO BAGS, LLC [US/US];** 13430 Ledgebrook Lane, Chagrin Falls, Ohio 44022 (US).
- (72) **Inventors: OSBORNE, Brian;** 13430 Ledgebrook Lane, Chagrin Falls, Ohio 44022 (US). **OSBORNE, Caitlin;** 13430 Ledgebrook Lane, Chagrin Falls, Ohio 44022 (US).
- (74) **Agent: PRIBISICH, Risto et al.;** 200 Public Square, Suite 2300, Cleveland, Ohio 44114 (US).

KG, KH, KN, KP, KR, KW, KZ, LA, LC, LK, LR, LS, LU, LY, MA, MD, MG, MK, MN, MW, MX, MY, MZ, NA, NG, NI, NO, NZ, OM, PA, PE, PG, PH, PL, PT, QA, RO, RS, RU, RW, SA, SC, SD, SE, SG, SK, SL, ST, SV, SY, TH, TJ, TM, TN, TR, TT, TZ, UA, UG, US, UZ, VC, VN, WS, ZA, ZM, ZW.

(84) **Designated States** (unless otherwise indicated, for every kind of regional protection available): ARIPO (BW, CV, GH, GM, KE, LR, LS, MW, MZ, NA, RW, SD, SL, ST, SZ, TZ, UG, ZM, ZW), Eurasian (AM, AZ, BY, KG, KZ, RU, TJ, TM), European (AL, AT, BE, BG, CH, CY, CZ, DE, DK, EE, ES, FI, FR, GB, GR, HR, HU, IE, IS, IT, LT, LU, LV, MC, ME, MK, MT, NL, NO, PL, PT, RO, RS, SE, SI, SK, SM, TR), OAPI (BF, BJ, CF, CG, CI, CM, GA, GN, GQ, GW, KM, ML, MR, NE, SN, TD, TG).

Published:
— with international search report (Art. 21(3))

(81) **Designated States** (unless otherwise indicated, for every kind of national protection available): AE, AG, AL, AM, AO, AT, AU, AZ, BA, BB, BG, BH, BN, BR, BW, BY, BZ, CA, CH, CL, CN, CO, CR, CU, CV, CZ, DE, DJ, DK, DM, DO, DZ, EC, EE, EG, ES, FI, GB, GD, GE, GH, GM, GT, HN, HR, HU, ID, IL, IN, IQ, IR, IS, IT, JM, JO, JP, KE,

(54) **Title:** PERSONALIZED BAG

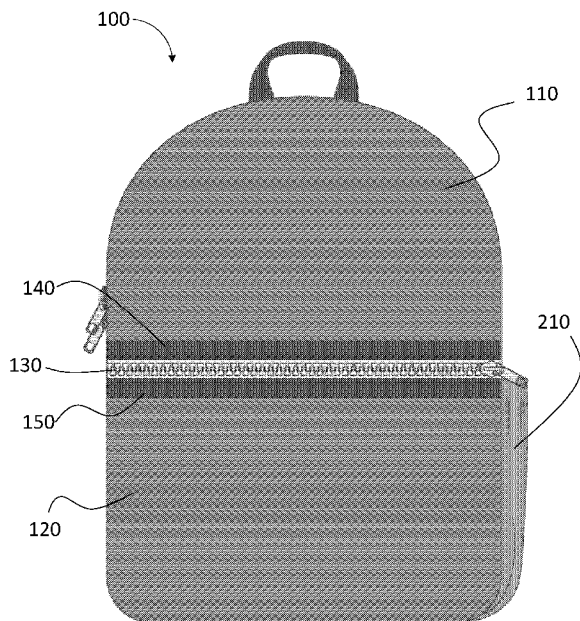


FIG. 1

(57) **Abstract:** The present disclosure describes products and methods for customizing carrying bags that allows users to express their individuality. The products and methods provide for users to periodically modify and update their carrying bag by easily attaching, moving, removing, or adding one or more patches or pieces of art. The products and methods include constructing sections of a carrying bag of hook-and-loop material and constructing patches or other pieces of art from corresponding hook-and-loop material to facilitate securing such patches to the carrying bag. Once secured, the patches can be easily removed from the bag, moved to a different section of the bag, or other patches can be added to change the customization and personalization over time.



WO 2023/081682 A1

Inventor: Caitlin Osborne
Brian Osborne

TITLE

PERSONALIZED BAG

CROSS-REFERENCE TO RELATED APPLICATIONS

[0001] This application claims priority to pending U.S. Provisional Patent Application No. 63/2374,728, titled “Personalized Bag,” filed on November 2, 2021, which is expressly incorporated by reference herein in its entirety.

FIELD OF INVENTION

[0002] The present disclosure generally relates to carrying bags useful to individuals in transporting and storing items in the course of their daily lives. More specifically, the present disclosure relates to carrying bags that can be personalized and customized to meet an individual’s unique preferences and interests.

BACKGROUND

[0003] In our modern society, we appreciate and welcome individuality over conformity. One manner in which people can express such individuality and set themselves apart from the crowd is in the style and manner of apparel worn by the individual. It is common for people to tailor their clothing and accessories to specific circumstances. For example, when attending a sporting event, a team jersey or other team themed apparel may be appropriate, where individuals can differentiate themselves through use of accessories such as buttons, hats, and the like. When attending a formal event, dressier apparel may be more appropriate, where individuals can distinguish themselves through a choice of tie, scarf, jewelry, and the like.

[0004] However, unlike clothing and accessories, where individuals have the choice of a wide variety of items and style choices, there are certain personal items that offer very limited variety. For example, for carrying bags such as book bags, totes, satchels, and the like, most individuals own only a single or small number of such item. It is often the case that a student owns only one backpack used to transport books to and from class. Thus, such items do not offer the variability or opportunity or easily personalize and customize the bag as is common with clothing. While it is possible to personalize and customize carrying bags, such personalization and customization are typically permanent and not alterable over time or damage the underlying bag. For example, people do personalize backpacks using permanent methods like applying iron-on patches or sewing such patches directly to the bookbag. Additional customizations include using pins, rivets, or snaps to attach patches to bookbags. However, such methods either pose a danger to the user of the backpack or cause damage to the backpack.

[0005] Therefore, there is a need for methods and products that provide an easy and safe way to periodically personalize and customize carrying bags based on the preferences and wishes of the user. Disclosed herein are novel methods of quickly and repeatedly personalizing and customizing a carrying bag.

SUMMARY

[0006] The present disclosure describes products and methods for customizing carrying bags that allows users to express their individuality. The products and methods provide for users to periodically modify and update their carrying bag by easily attaching, moving, removing, or adding one or more patches or pieces of art. The products and methods include constructing sections of a carrying bag of hook-and-loop material and constructing patches or other pieces of art from corresponding hook-and-loop material to facilitate securing such patches to the carrying

bag. Once secured, the patches can be easily removed from the bag, moved to a different section of the bag, or other patches can be added to change the customization and personalization over time.

BRIEF DESCRIPTION OF THE DRAWINGS

[0007] In the accompanying drawings, structures are illustrated that, together with the detailed description provided below, describe example embodiments of the disclosed systems, methods, and apparatus. Where appropriate, like elements are identified with the same or similar reference numerals. Elements shown as a single component can be replaced with multiple components. Elements shown as multiple components can be replaced with a single component. The drawings may not be to scale. The proportion of certain elements may be exaggerated for the purpose of illustration.

[0008] FIG. 1 schematically illustrates a front view of an exemplary backpack arranged to be selectively personalized and customized based on the preferences of the user.

[0009] FIG. 2 schematically illustrates a rear view of the backpack of FIG. 1.

[0010] FIG. 3 schematically illustrates a side view of the backpack of FIG. 1.

[0011] FIG. 4 schematically illustrates another side view of the backpack of FIG. 1.

[0012] FIG. 5 schematically illustrates a side view of the backpack of FIG. 1 with a water bottle located in the water bottle holder.

[0013] FIG. 6 is a photograph of the backpack of FIG. 1 customized with various patches reversibly attached to front panels of the backpack.

[0014] FIG. 7 is a photograph of the backpack of FIG. 1 customized with various other patches reversibly attached to front panels of the backpack.

[0015] FIG. 8 is a photograph of a backpack of FIG. 1 customized with various patches

reversibly attached to the carrying straps of the backpack.

[0016] FIG. 9 is a photograph of a backpack of FIG. 1 customized with various patches reversibly attached to the carrying straps of the backpack.

DETAILED DESCRIPTION

[0017] The apparatus, systems, arrangements, and methods disclosed in this document are described in detail by way of examples and with reference to the figures. It will be appreciated that modifications to disclosed and described examples, arrangements, configurations, components, elements, apparatus, methods, materials, etc. can be made and may be desired for a specific application. In this disclosure, any identification of specific techniques, arrangements, method, etc. are either related to a specific example presented or are merely a general description of such a technique, arrangement, method, etc. Identifications of specific details or examples are not intended to be and should not be construed as mandatory or limiting unless specifically designated as such. Selected examples carrying bags arranged to be repeatedly personalized and customized based on the preferences of the user are hereinafter disclosed and described in detail with reference made to FIGS. 1–9.

[0018] Disclosed herein are carrying bags arranged to facilitate selectively adding, removing, moving, and rearranging patches or other pieces of art to the carrying bag based on the preferences of the user. The term “carrying bag” is used herein as a general term that refers to many types of bags including, but not limited to, backpacks, bookbags, pouches, purses, handbags, totes, luggage, garment bags, lunch bags, phone bags, satchels, wristlets, clutches, make-up bags, and the like. Furthermore, while a backpack will be generally used to describe and illustrate the invention, it will be understood that such descriptions, arrangements, methods, and techniques described herein as used with a backpack are equally applicable to any type of carrying bag.

[0019] FIGS. 1-4 schematically illustrate an exemplary backpack 100. The front side of the backpack 100 includes a pair of front panels – an upper panel 110 and a lower panel 120 – that are bisected by a front pouch zipper 130 and a pair of material strips, 140, 150. The front pouch zipper 130 provides access to an internal pouch arranged to store small items such as pencils, calculator, phone, or the like. The back side of the backpack 100 includes a back panel 160, a pass through panel 170, and a pair of adjustable carrying straps 180, 190. As best illustrated in the side view of the backpack 100, FIGS. 3 and 4, the backpack 100 further includes a main compartment zipper 200 and a water bottle holder 210. The main compartment zipper 200 provides access to the main compartment of the backpack 100, which occupies the vast majority of the internal space of the backpack 100 and is arranged to store larger items such as books. As is illustrated in FIG. 5, the water bottle holder 210 is a strip of material secured to the side of the backpack arranged to accommodate a water bottle 220. The water bottle holder 210 can include an elastic band sewn along its top edge to better secure a water bottle. Additionally, the backpack 100 includes a loop 230 extended from the top of the backpack 100 by which the backpack can be hung-up on a hook or other such device.

[0020] Certain of the surfaces of the bookbag 100 are arranged to facilitate reversibly securing a patch or other such piece of art to the backpack. In one example, portions of the backpack 100 are constructed from materials typically referred to as “hook-and-loop” system. A hook-and-loop system includes two separate sections of corresponding fabric or other such material. One section of material includes hooks that extend from the surface of the material. The other section of material includes loops extending from the surface of the material. Once these two materials are pressed together, the loops capture the hooks to reversibly secure the two sections of material together. The materials can be separated by applying a force to one of the materials.

[0021] In one example, on the front of the backpack 100, the upper panel 110 and lower panel 120 can be constructed from loop fabric of a hook-and-loop system. The back panel 160 can also be constructed from loop fabric. In such an arrangement, patches or other pieces of artwork are fabricated on a substrate made of the corresponding hook fabric of a hook-and-loop system. In such an arrangement, the patch can be secured to the upper panel 110, lower panel 120, or the back panel 160 of the backpack 100. As will be appreciated, when the user would like to attach, remove, move, or rearrange the patch or attach a different patch to the backpack, the user can remove the existing patch by simply pulling the patch off the backpack 100 using appropriate force and rearranging the patch or replacing the patch with a new patch.

[0022] In another example, the adjustable carrying straps 180, 190 of the backpack 100 can be at least partially constructed from loop fabric of a hook-and-loop system. In such an arrangement, patches or other pieces of artwork are fabricated on a substrate made of the corresponding hook fabric of a hook-and-loop system. In such an arrangement, the patch can be secured to the adjustable carrying straps 180, 190 of the backpack 100. As will be appreciated, when the user would like to attach, remove, move, or rearrange the patch or attach a different patch to the adjustable carrying straps 180, 190 of the backpack 100, the user can remove the existing patch by simply pulling the patch off the adjustable carrying straps 180, 190 using appropriate force and rearranging the patch or replacing the patch with a new patch.

[0023] As is illustrated in FIG. 6, a backpack 100 can be adorned with multiple patches 240. In this example, the upper panel includes the letter “B” and a number of flower patches. The lower panel includes an additional flower patch and a pair of smiling face patches. Thus, through such an arrangement, the owner of the backpack 100 has expressed his or her upbeat personality while displaying an identifying initial, representing their first name. If the owner tires of the current

patches, the owner can remove one or more of the patches and replace them with new patches to create a different theme for the backpack. Similarly, FIG. 7 illustrates a backpack adorned with the letter “S” 240, a pair of stars 240, and several pirate themed patches 240 that express the owner’s love of that genre. As with the backpack 100 in FIG. 6, the owner can remove and exchange patches based on the owner’s evolving preferences and interests.

[0024] Similar to the embodiments illustrated in FIGS. 6 and 7, FIGS. 8 and 9 illustrate patches attached to the adjustable carrying straps of the book bag 100. As illustrated in FIG. 8, the user has applied a smiley face and letters spelling out the user’s nickname, “GUS.” The user has also attached patches depicting skateboards to show interest in this hobby. As illustrated in FIG. 9, the user has chosen to apply several star and heart patches.

[0025] While the examples discussed herein note that the backpack is constructed with sections of loop material and patches 240 are fabricated using hook material as a substrate, it will be understood that the bookbag 100 can be constructed with hook material and the patches 240 with loop material as a substrate to achieve the same results as discussed herein. The materials utilized can include industrial-strength hook-and-loop fabric to create a durable and reliable product. One type of hook-and-loop fabric that is applicable to the products and methods described herein is marketed and sold under the brand name Velcro®. In another embodiment, the material used to construct the upper panel 110, lower panel 120, and back panel 160 is a heavy brushed polymer material, which is similar to material commonly used as upholstery for furniture. Specifically, the heavy brushed polymer material can be blend of polyester and another material such as spandex, lycra, or elastane. Typically the blend includes 90 percent or more polyester. Other sections of the backpack 100 can be constructed from upholstery grade velvet that is approximately 300 grams per square meter (GSM). For example, the pair of material strips 140,

150 on the front of the backpack 100 and the pass through panel 170 on the back of the backpack can be constructed from such 300 GSM velvet.

[0026] The hook-and-loop securing method creates a strong and unique yet movable mechanism for attaching patches and pieces of art to a backpack or other carrying bags. Such a securing method maintains the attachment of the patch to the backpack under demanding situations such as a child running for a bus with backpack on or moving through a crowd where the backpack is often bumped and jostled. But allows owners to easily remove the patches as desired.

[0027] As will be appreciated, the products and methods described herein allow users to continually modify and update their carrying bag by easily attaching, moving, removing, rearranging, or adding one or more patches or pieces of art. Additionally, it allows users to easily trade individual patches or pieces of art amongst each other. In one example, it can be appealing for children to exchange patches with classmates and friends to update their school backpacks. By allowing the user to easily update and modify their product, significant value is added to the product.

[0028] The foregoing description of examples has been presented for purposes of illustration and description. It is not intended to be exhaustive or limiting to the forms described. Numerous modifications are possible in light of the above teachings. Some of those modifications have been discussed, and others will be understood by those skilled in the art. The examples were chosen and described in order to best illustrate principles of various examples as are suited to particular uses contemplated. The scope is, of course, not limited to the examples set forth herein, but can be employed in any number of applications and equivalent devices by those of ordinary skill in the art.

We claim:

1. A system for customizing a carrying bag, comprising:
a carrying bag, wherein at least one section of the carrying bag is constructed from hook-and-loop material; and
one or more patches where each patch includes a substrate constructed from hook-and-loop material.
2. The system of claims 1, wherein the carrying bag is construed from loop material and the substrate of the patches is constructed from hook material.
3. The system of claims 1, wherein the carrying bag is construed from hook material and the substrate of the patches is constructed from loop material.
4. The system of claims 1, wherein a front panel of the carrying bag is at least partially constructed from hook-and-loop material.
5. The system of claim 4, wherein the front panel includes an upper panel and a lower panel.
6. The system of claim 5, wherein the upper panel and lower panel are constructed from a hook-and-loop material.

7. The system of claim 1 wherein a back panel of the carry bag is constructed from hook-and-loop material.
8. The system of claim 1 wherein a back panel of the carry bag is constructed from hook-and-loop material.
9. The system of claims 1, wherein the hook-and-loop material is a heavy brushed polymer material.
10. The system of claim 9, wherein the heavy brushed polymer material is a blend of polyester and one of spandex, lycra, or elastane.
11. The system of claim 10, wherein the ratio of the blend is ninety percent or more polyester to ten percent or less of spandex, lycra, or elastane.

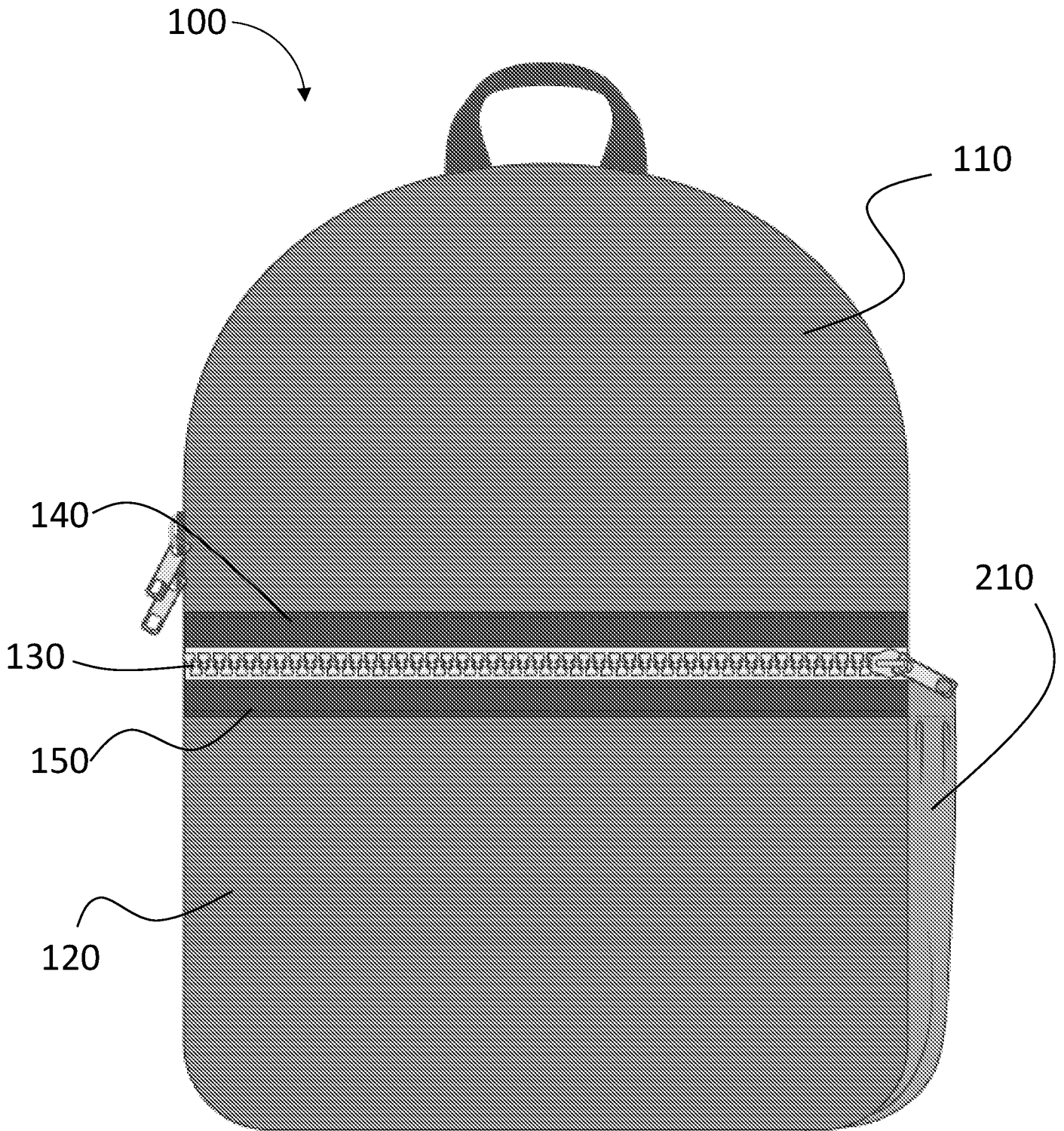


FIG. 1

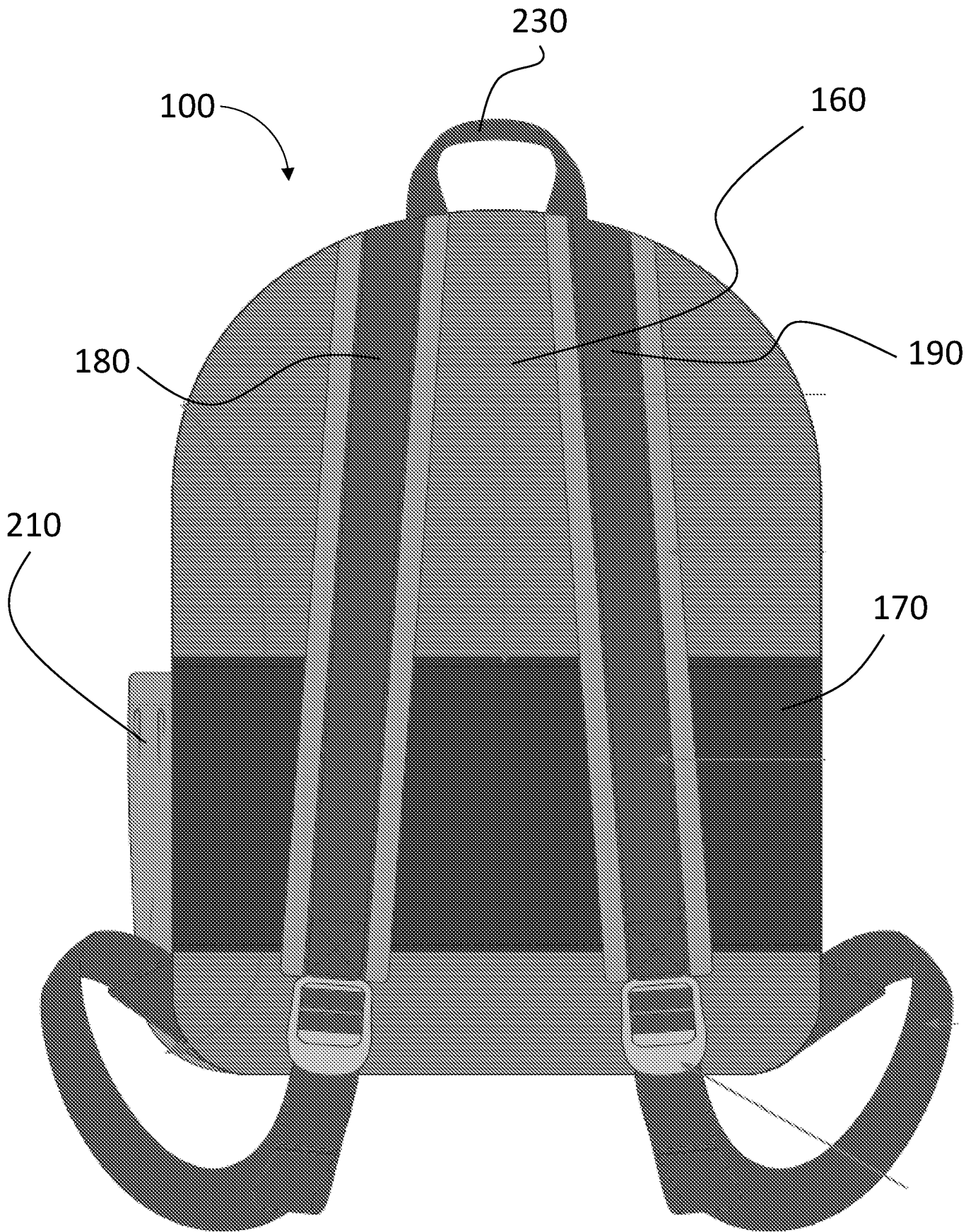


FIG. 2

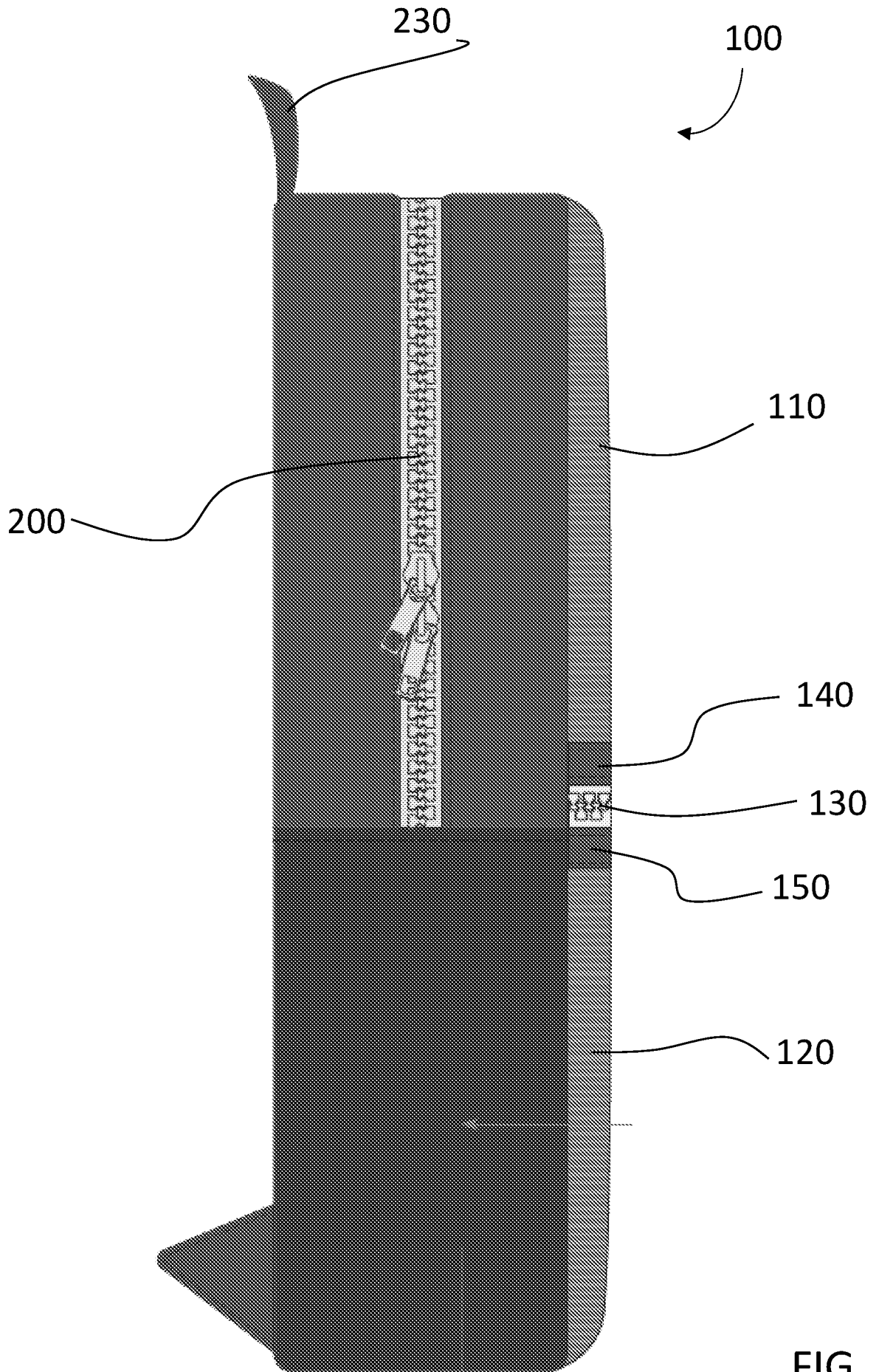


FIG. 3

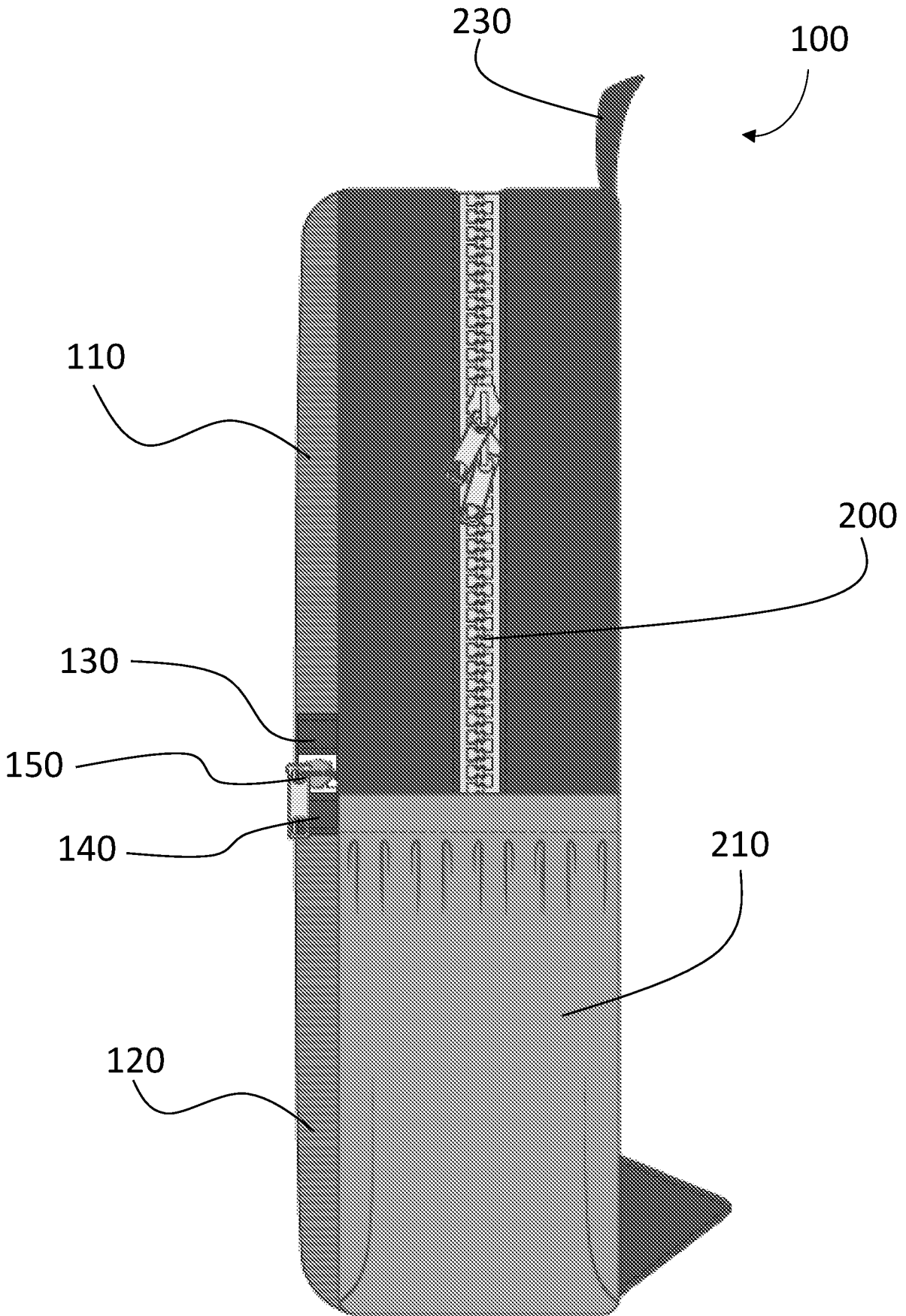


FIG. 4

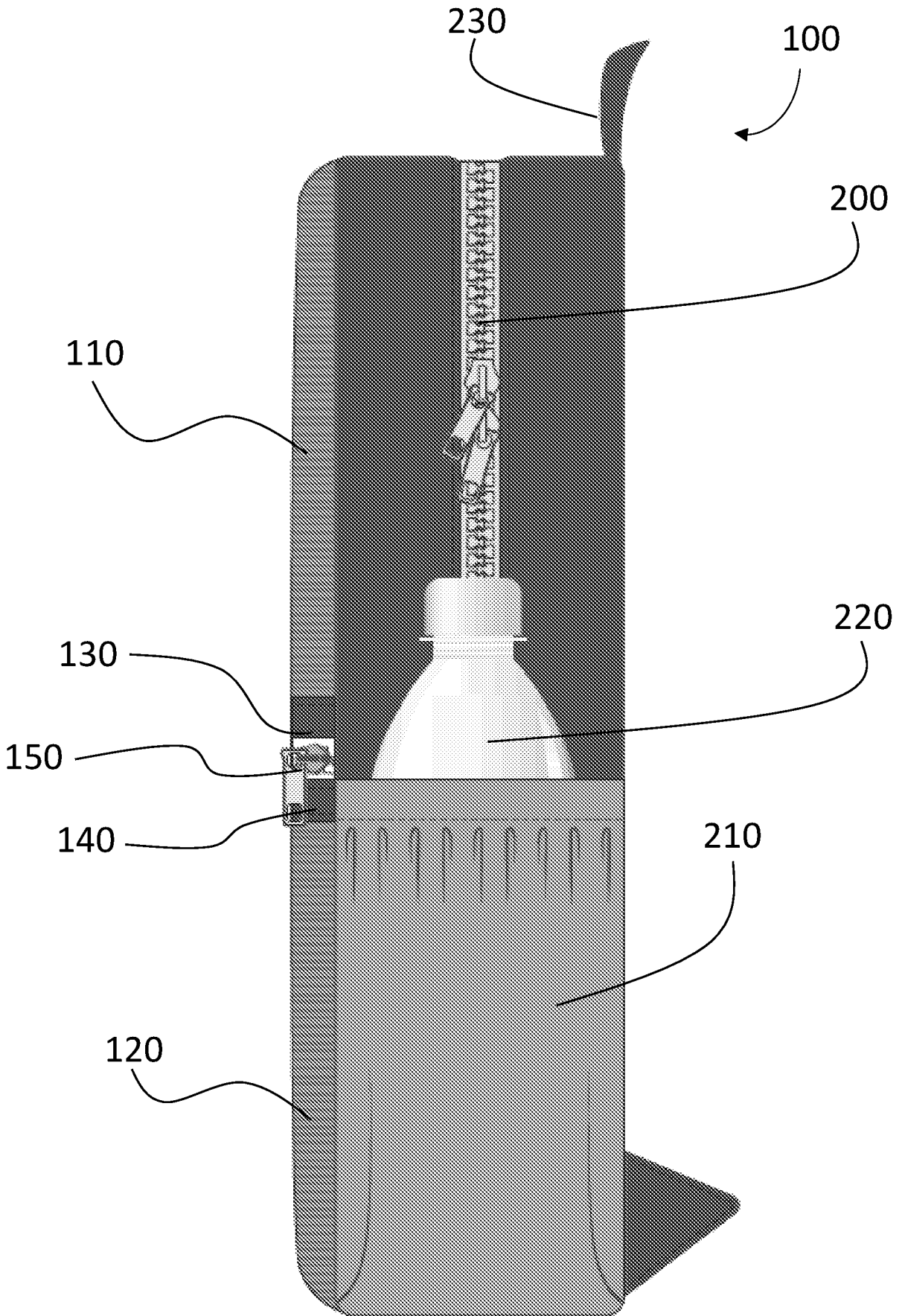


FIG. 5

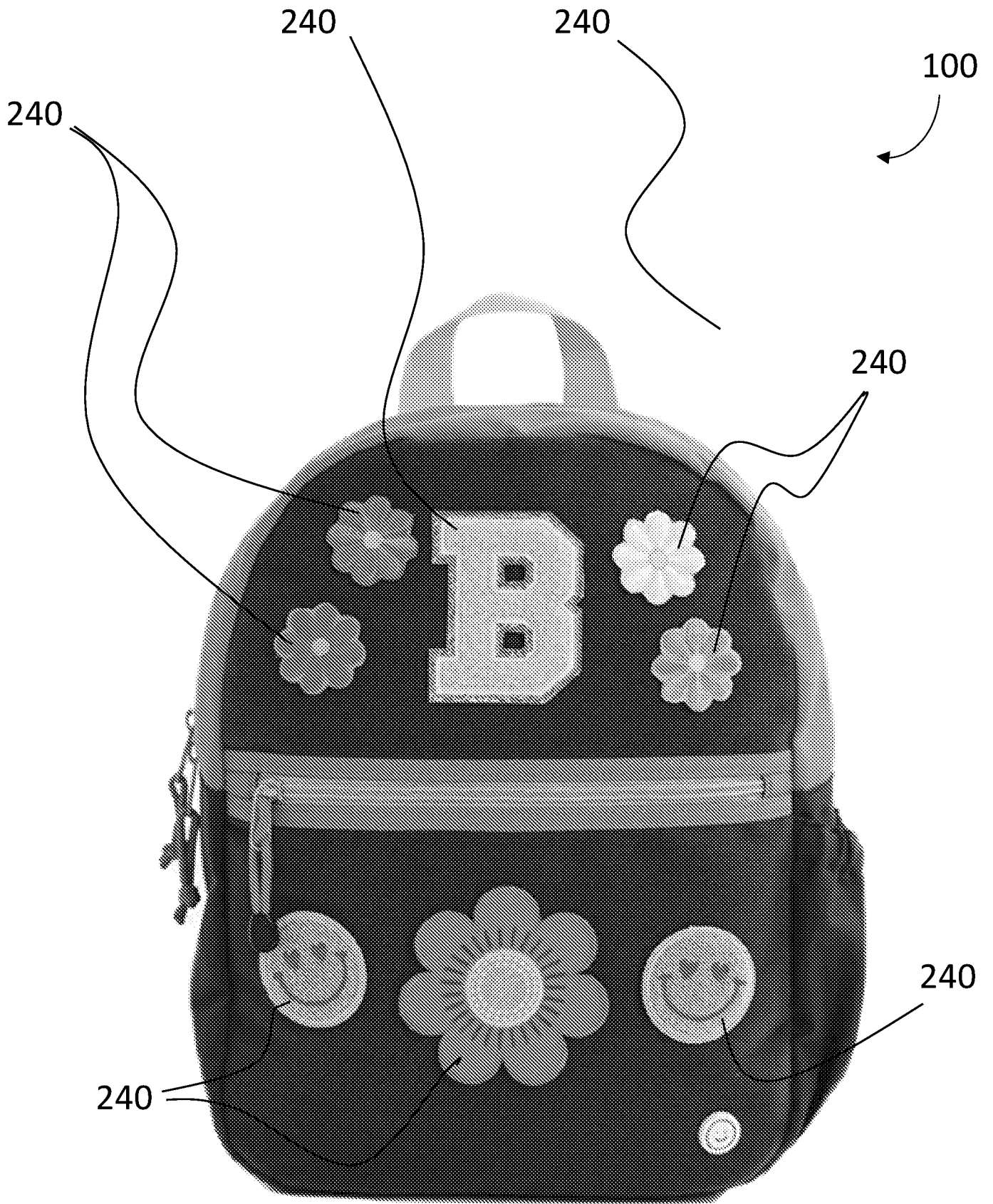


FIG. 6



FIG. 7

100



FIG. 8



FIG. 9

INTERNATIONAL SEARCH REPORT

International application No.
PCT/US2022/079116

<p>A. CLASSIFICATION OF SUBJECT MATTER IPC(8) - INV. - A45C 13/10 (2022.01) ADD. CPC - INV. - A45C 13/10 (2022.08) ADD. - A45C 2013/1015 (2022.08) According to International Patent Classification (IPC) or to both national classification and IPC</p>														
<p>B. FIELDS SEARCHED</p> <p>Minimum documentation searched (classification system followed by classification symbols) See Search History document</p> <p>Documentation searched other than minimum documentation to the extent that such documents are included in the fields searched See Search History document</p> <p>Electronic database consulted during the international search (name of database and, where practicable, search terms used) See Search History document</p>														
<p>C. DOCUMENTS CONSIDERED TO BE RELEVANT</p> <table border="1" style="width:100%; border-collapse: collapse;"> <thead> <tr> <th style="width:10%;">Category*</th> <th style="width:70%;">Citation of document, with indication, where appropriate, of the relevant passages</th> <th style="width:20%;">Relevant to claim No.</th> </tr> </thead> <tbody> <tr> <td>X --- Y</td> <td>Iron Sights Gun Company Range Bag – Review. Product Review [online]. 01 May 2020 [retrieved on 20 December 2022]. <URL: https://www.ammoland.com/2020/05/iron-sights-gun-company-range-bag-review/#axzz7o4OFqM6l></td> <td>1-9 --- 10, 11</td> </tr> <tr> <td>Y</td> <td>New Creations Fabric & Foam Inc, 58/59" Wide ITY Fabric Polyester Lycra Knit Jersey 2 Way Spandex Stretch (5 Yards, Peach). Product Listing [online]. New Creations Fabric & Foam. 05 June 2021 [retrieved on 27 December 2022]. <URL: https://www.amazon.com/New-Creations-Fabric-Foam-Inc/dp/B096PYWJF8?th=1></td> <td>10, 11</td> </tr> <tr> <td>A</td> <td>CN 204541098 U (YING JIA TRAVEL GOODS CO LTD OF SHENZHEN) 06 February 2015 (06.02.2015) see machine translation</td> <td>1-11</td> </tr> </tbody> </table>			Category*	Citation of document, with indication, where appropriate, of the relevant passages	Relevant to claim No.	X --- Y	Iron Sights Gun Company Range Bag – Review. Product Review [online]. 01 May 2020 [retrieved on 20 December 2022]. <URL: https://www.ammoland.com/2020/05/iron-sights-gun-company-range-bag-review/#axzz7o4OFqM6l >	1-9 --- 10, 11	Y	New Creations Fabric & Foam Inc, 58/59" Wide ITY Fabric Polyester Lycra Knit Jersey 2 Way Spandex Stretch (5 Yards, Peach). Product Listing [online]. New Creations Fabric & Foam. 05 June 2021 [retrieved on 27 December 2022]. <URL: https://www.amazon.com/New-Creations-Fabric-Foam-Inc/dp/B096PYWJF8?th=1 >	10, 11	A	CN 204541098 U (YING JIA TRAVEL GOODS CO LTD OF SHENZHEN) 06 February 2015 (06.02.2015) see machine translation	1-11
Category*	Citation of document, with indication, where appropriate, of the relevant passages	Relevant to claim No.												
X --- Y	Iron Sights Gun Company Range Bag – Review. Product Review [online]. 01 May 2020 [retrieved on 20 December 2022]. <URL: https://www.ammoland.com/2020/05/iron-sights-gun-company-range-bag-review/#axzz7o4OFqM6l >	1-9 --- 10, 11												
Y	New Creations Fabric & Foam Inc, 58/59" Wide ITY Fabric Polyester Lycra Knit Jersey 2 Way Spandex Stretch (5 Yards, Peach). Product Listing [online]. New Creations Fabric & Foam. 05 June 2021 [retrieved on 27 December 2022]. <URL: https://www.amazon.com/New-Creations-Fabric-Foam-Inc/dp/B096PYWJF8?th=1 >	10, 11												
A	CN 204541098 U (YING JIA TRAVEL GOODS CO LTD OF SHENZHEN) 06 February 2015 (06.02.2015) see machine translation	1-11												
<p><input type="checkbox"/> Further documents are listed in the continuation of Box C. <input type="checkbox"/> See patent family annex.</p>														
<table style="width:100%; border-collapse: collapse;"> <tr> <td style="width:50%; vertical-align: top;"> <p>* Special categories of cited documents:</p> <p>“A” document defining the general state of the art which is not considered to be of particular relevance</p> <p>“D” document cited by the applicant in the international application</p> <p>“E” earlier application or patent but published on or after the international filing date</p> <p>“L” document which may throw doubts on priority claim(s) or which is cited to establish the publication date of another citation or other special reason (as specified)</p> <p>“O” document referring to an oral disclosure, use, exhibition or other means</p> <p>“P” document published prior to the international filing date but later than the priority date claimed</p> </td> <td style="width:50%; vertical-align: top;"> <p>“T” later document published after the international filing date or priority date and not in conflict with the application but cited to understand the principle or theory underlying the invention</p> <p>“X” document of particular relevance; the claimed invention cannot be considered novel or cannot be considered to involve an inventive step when the document is taken alone</p> <p>“Y” document of particular relevance; the claimed invention cannot be considered to involve an inventive step when the document is combined with one or more other such documents, such combination being obvious to a person skilled in the art</p> <p>“&” document member of the same patent family</p> </td> </tr> </table>			<p>* Special categories of cited documents:</p> <p>“A” document defining the general state of the art which is not considered to be of particular relevance</p> <p>“D” document cited by the applicant in the international application</p> <p>“E” earlier application or patent but published on or after the international filing date</p> <p>“L” document which may throw doubts on priority claim(s) or which is cited to establish the publication date of another citation or other special reason (as specified)</p> <p>“O” document referring to an oral disclosure, use, exhibition or other means</p> <p>“P” document published prior to the international filing date but later than the priority date claimed</p>	<p>“T” later document published after the international filing date or priority date and not in conflict with the application but cited to understand the principle or theory underlying the invention</p> <p>“X” document of particular relevance; the claimed invention cannot be considered novel or cannot be considered to involve an inventive step when the document is taken alone</p> <p>“Y” document of particular relevance; the claimed invention cannot be considered to involve an inventive step when the document is combined with one or more other such documents, such combination being obvious to a person skilled in the art</p> <p>“&” document member of the same patent family</p>										
<p>* Special categories of cited documents:</p> <p>“A” document defining the general state of the art which is not considered to be of particular relevance</p> <p>“D” document cited by the applicant in the international application</p> <p>“E” earlier application or patent but published on or after the international filing date</p> <p>“L” document which may throw doubts on priority claim(s) or which is cited to establish the publication date of another citation or other special reason (as specified)</p> <p>“O” document referring to an oral disclosure, use, exhibition or other means</p> <p>“P” document published prior to the international filing date but later than the priority date claimed</p>	<p>“T” later document published after the international filing date or priority date and not in conflict with the application but cited to understand the principle or theory underlying the invention</p> <p>“X” document of particular relevance; the claimed invention cannot be considered novel or cannot be considered to involve an inventive step when the document is taken alone</p> <p>“Y” document of particular relevance; the claimed invention cannot be considered to involve an inventive step when the document is combined with one or more other such documents, such combination being obvious to a person skilled in the art</p> <p>“&” document member of the same patent family</p>													
<p>Date of the actual completion of the international search 27 December 2022</p>		<p>Date of mailing of the international search report FEB 01 2023</p>												
<p>Name and mailing address of the ISA/ Mail Stop PCT, Attn: ISA/US, Commissioner for Patents P.O. Box 1450, Alexandria, VA 22313-1450 Facsimile No. 571-273-8300</p>		<p>Authorized officer Taina Matos Telephone No. PCT Helpdesk: 571-272-4300</p>												