



US00D668257S

(12) **United States Design Patent**
Tsai

(10) **Patent No.:** **US D668,257 S**

(45) **Date of Patent:** **** Oct. 2, 2012**

(54) **ADJUSTABLE SUPPORT ARM**

(75) Inventor: **Hsuan-Chin Tsai, Chai-Yi Hsien (TW)**

(73) Assignee: **Zhongshan Shi Songlin Furniture Co., Ltd., Zhongshan, Guangdong Prov. (CN)**

(**) Term: **14 Years**

(21) Appl. No.: **29/409,328**

(22) Filed: **Dec. 22, 2011**

(51) **LOC (9) Cl.** **08-07**

(52) **U.S. Cl.** **D14/452**

(58) **Field of Classification Search** D14/447,
D14/451, 452, 239, 432, 434, 439, 448, 457,
D14/251, 253, 224, 224.1, 126, 127, 371,
D14/373, 374, 375; D8/363, 373, 380; 248/918,
248/917, 919, 920, 921, 922, 923, 924, 441.1,
248/460, 122.1, 125.7, 371, 176.1, 176.3,
248/222.52, 276.1, 324; 361/679.06, 679.04,
361/679.21, 679.22, 679.56

See application file for complete search history.

(56) **References Cited**

U.S. PATENT DOCUMENTS

D337,921 S * 8/1993 Iodice D7/511
5,799,917 A * 9/1998 Li 248/284.1

6,857,610 B1 * 2/2005 Conner et al. 248/284.1
7,207,537 B2 * 4/2007 Hung 248/284.1
D643,042 S * 8/2011 Saelid D14/452
8,162,271 B2 * 4/2012 Li 248/162.1
2006/0186295 A1 * 8/2006 Dittmer et al. 248/284.1

* cited by examiner

Primary Examiner — Cynthia Ramirez

(74) *Attorney, Agent, or Firm* — Alan Kamrath; Kamrath IP Lawfirm, PA

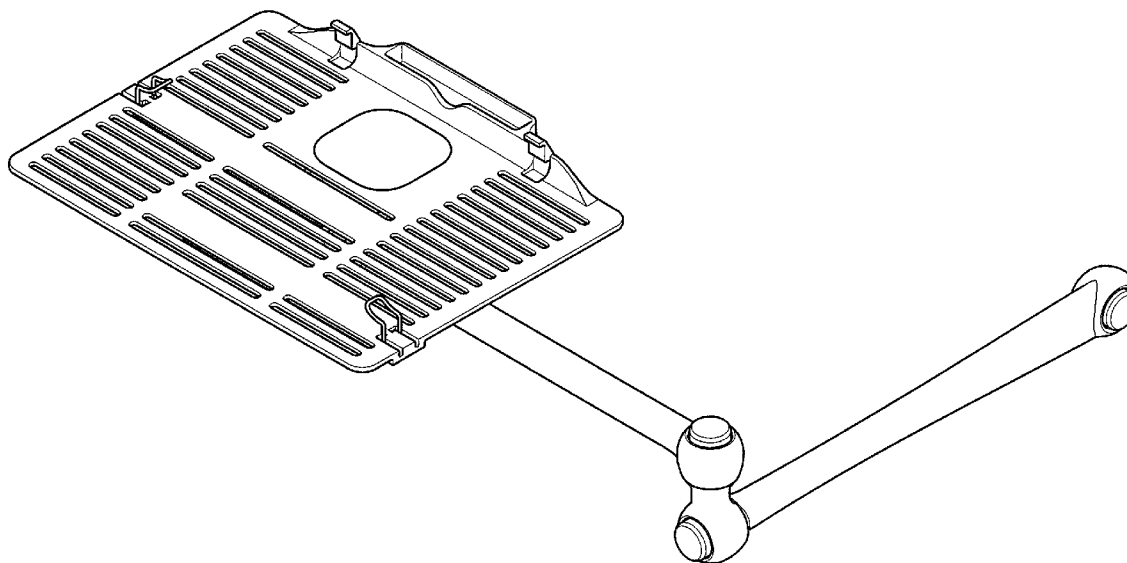
(57) **CLAIM**

The ornamental design for an adjustable support arm, as shown and described.

DESCRIPTION

FIG. 1 is a perspective view of adjustable support arm showing my design;
FIG. 2 is a front elevational view thereof;
FIG. 3 is a rear elevational view thereof;
FIG. 4 is a left side view thereof;
FIG. 5 is a right side view thereof;
FIG. 6 is a top plan view hereof;
FIG. 7 is a bottom plan view thereof; and,
FIG. 8 is a perspective view from bottom.

1 Claim, 6 Drawing Sheets



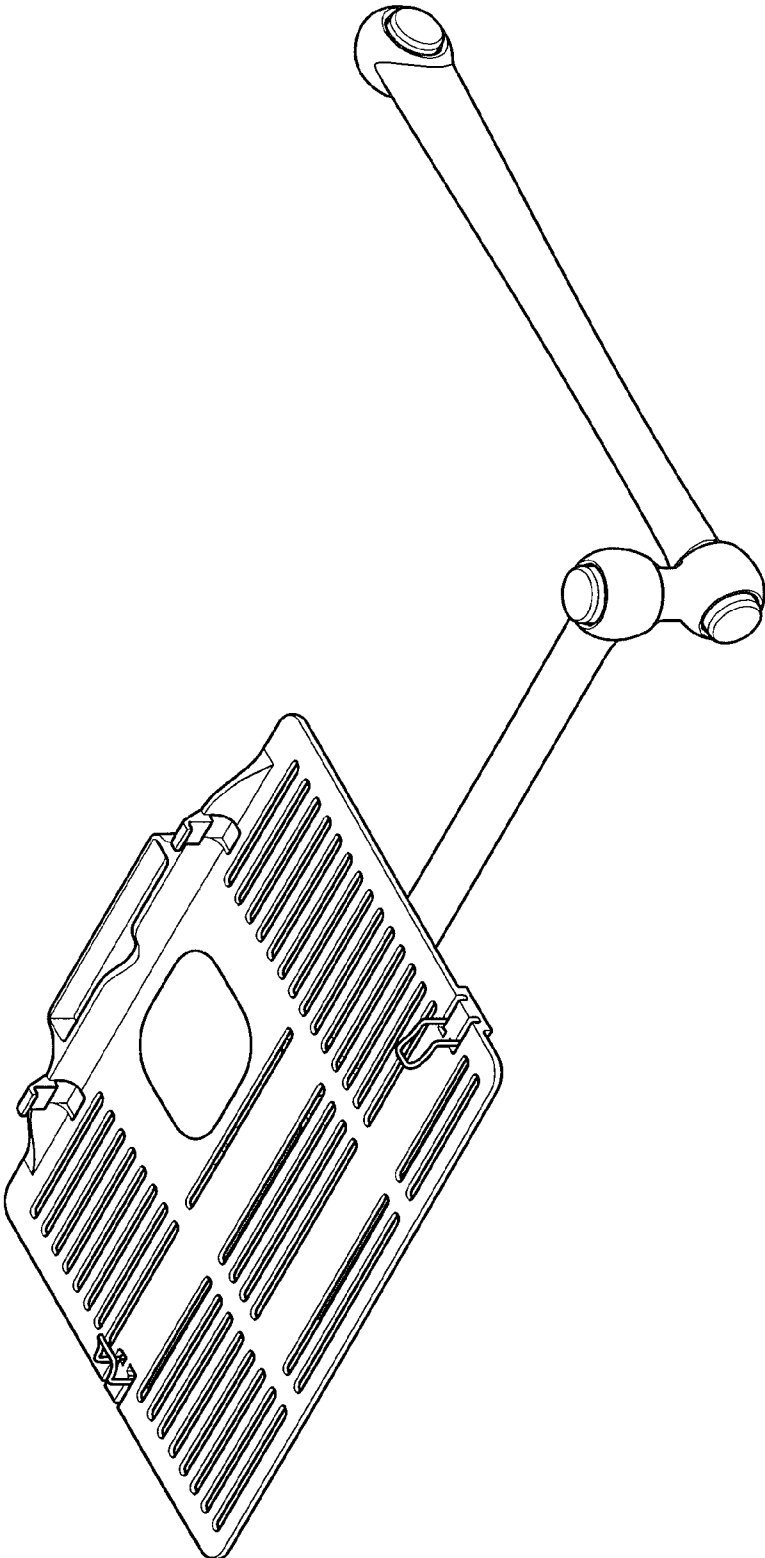


FIG.1

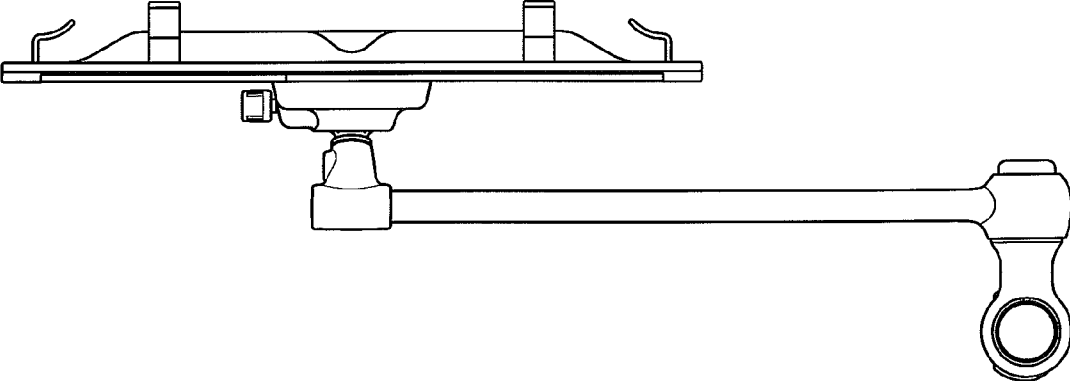


FIG. 2

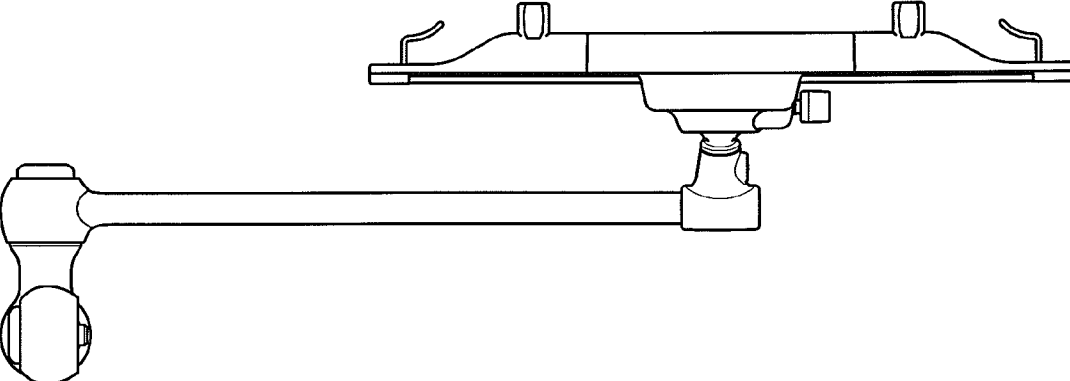


FIG. 3

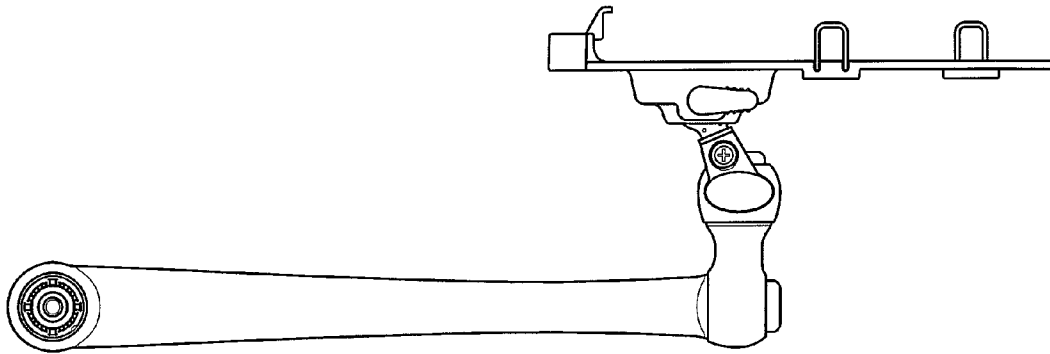


FIG. 4

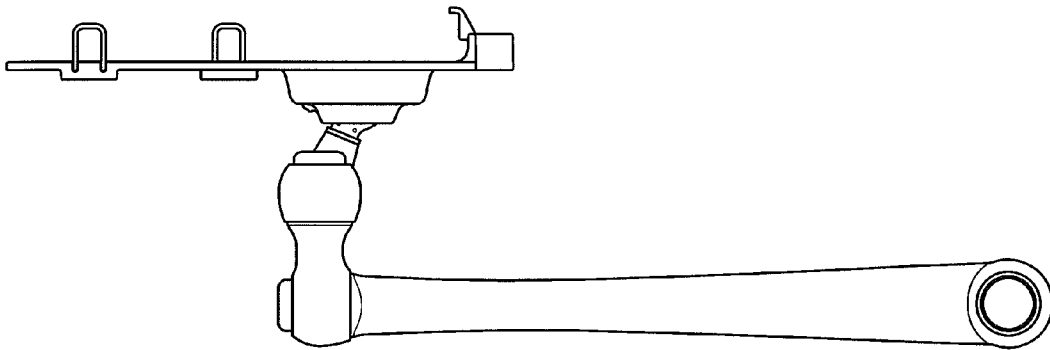


FIG. 5

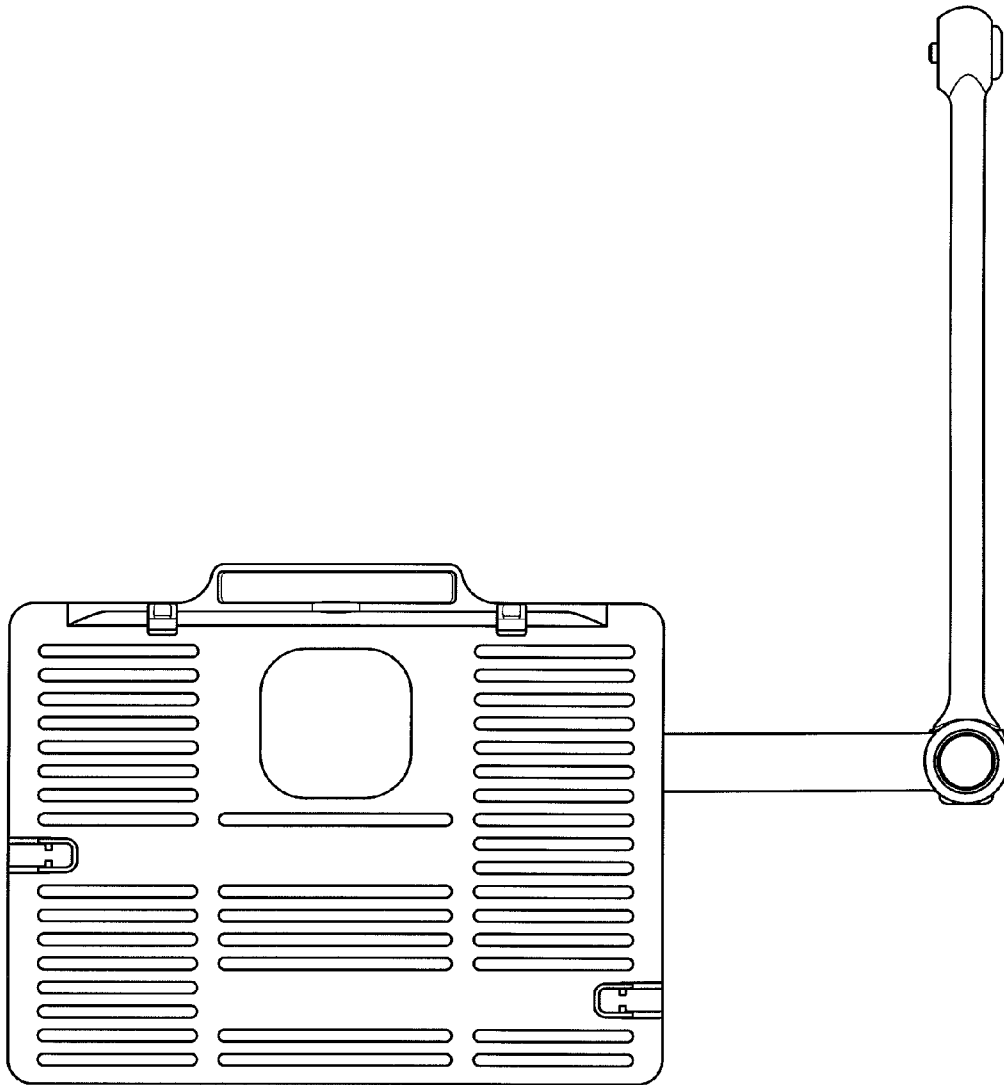


FIG.6

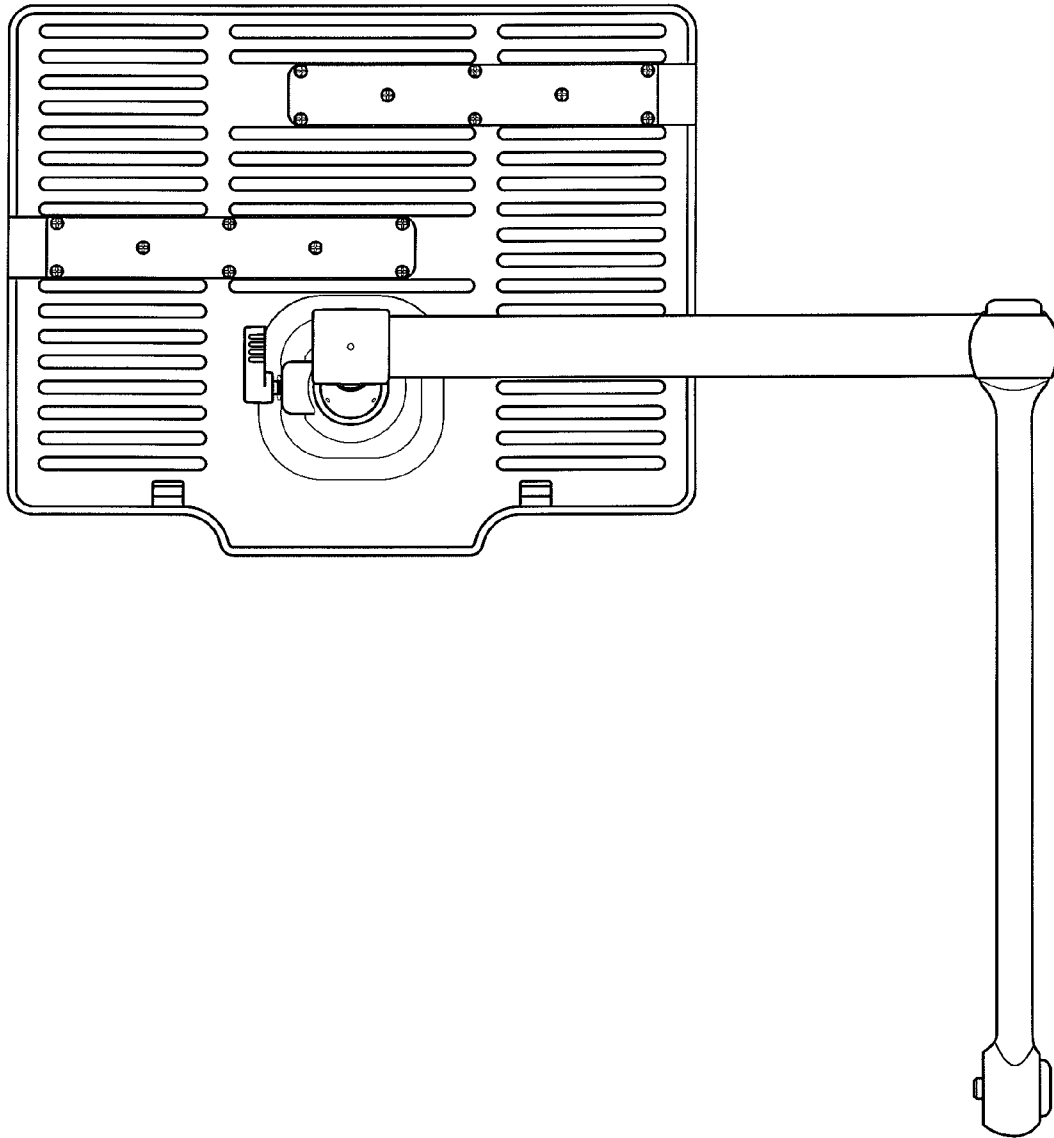


FIG.7

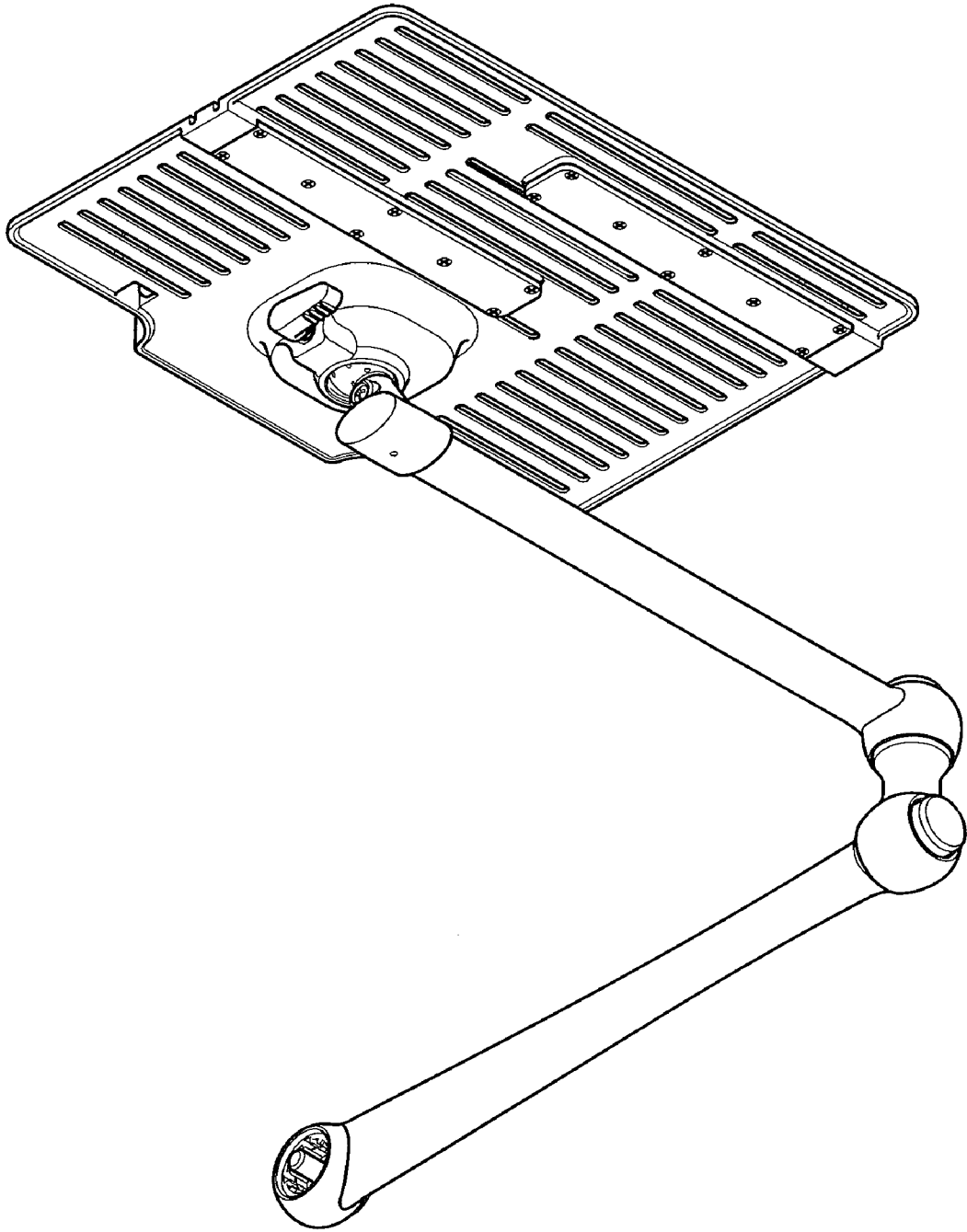


FIG.8