



US00D438487S

(12) **United States Design Patent** (10) **Patent No.:** **US D438,487 S**
Madden, IV (45) **Date of Patent:** **** Mar. 6, 2001**

(54) **HYDROPONIC PLANT CONTAINER PORTION**
(76) Inventor: **John E. Madden, IV**, 4847 Sulphur Well Rd., Nicholasville, KY (US) 40356
(**) Term: **14 Years**
(21) Appl. No.: **29/113,751**
(22) Filed: **Nov. 10, 1999**
(51) **LOC (7) Cl.** **11-02**
(52) **U.S. Cl.** **D11/156**
(58) **Field of Search** D11/143, 144, D11/145, 155, 156; 47/39, 65.5, 66.1, 66.5-66.6, 41.01, 67, 68, 69, 73; 206/423; 220/62, 521, 801, 507, 23.4; 248/27.8; 215/228; D9/432

American Hydroponics, "American Hydroponics," Baby Bloomer Garden Instructions (Perlite) Data Sheet, (Oct. 1, 1999).
General Hydroponics, "General Hydroponics," AeroFlo 24 Booklet, undated.
General Hydroponics, "AeroFlo 2 30," undated.
Sea of Green, "Urban Garden Systems," Jet Series Modular Hydroponic Systems, undated.
General Hydroponics, "The Systems The Technology," Aero-Hydroponics The Method of the Future, (Jul. 27, 1999).
Plantower, "," Space Agriculture At Your Place , undated.
Hydrofarm, "Homegarden," Hydroponic Growing System, undated.

* cited by examiner

Primary Examiner—Doris V. Coles
(74) *Attorney, Agent, or Firm*—King and Schickli PLLC

(56) **References Cited**

U.S. PATENT DOCUMENTS

D. 313,936 * 1/1991 Ferrero D9/432
D. 351,787 * 10/1994 Hansen D9/432
2,411,193 * 11/1946 Cummins 220/23.4
2,593,895 * 4/1952 Kohl 47/73
3,331,524 * 7/1967 Wiley, Jr. 47/68
4,048,754 * 9/1977 Laux 47/68
4,753,036 * 6/1988 Konno 47/66.6
5,060,419 * 10/1991 De Graaf et al. 47/66.5
5,511,687 * 4/1996 Garrett, Jr. et al. 220/507

FOREIGN PATENT DOCUMENTS

45870 * 1/1889 (DE) 47/41.01

OTHER PUBLICATIONS

American Hydroponics, "American Hydroponics," Veg-i-Table Data Sheet, (Oct. 21, 1999).
American Hydroponics, "American Hydroponics," NFT Wall Garden Data Sheet, (Oct. 26, 1999).

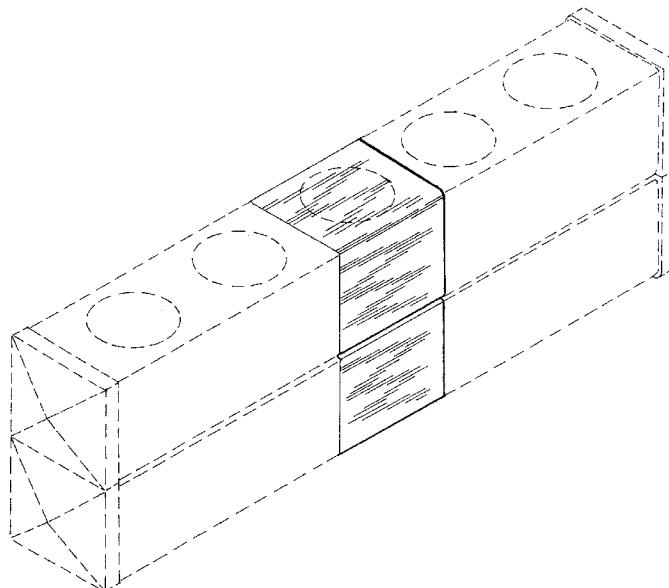
(57) **CLAIM**

The ornamental design for a hydroponic plant container portion, as shown and described.

DESCRIPTION

FIG. 1 is a perspective view of the hydroponic plant container portion in full line;
FIG. 2 is a front elevational view thereof, the rear elevational view being a mirror image thereof;
FIG. 3 is a top plan view thereof; and,
FIG. 4 is a bottom plan view thereof.
The broken line showing of portions of the hydroponic plant container is for illustrative purposes only and forms no part of the claimed design.

1 Claim, 2 Drawing Sheets



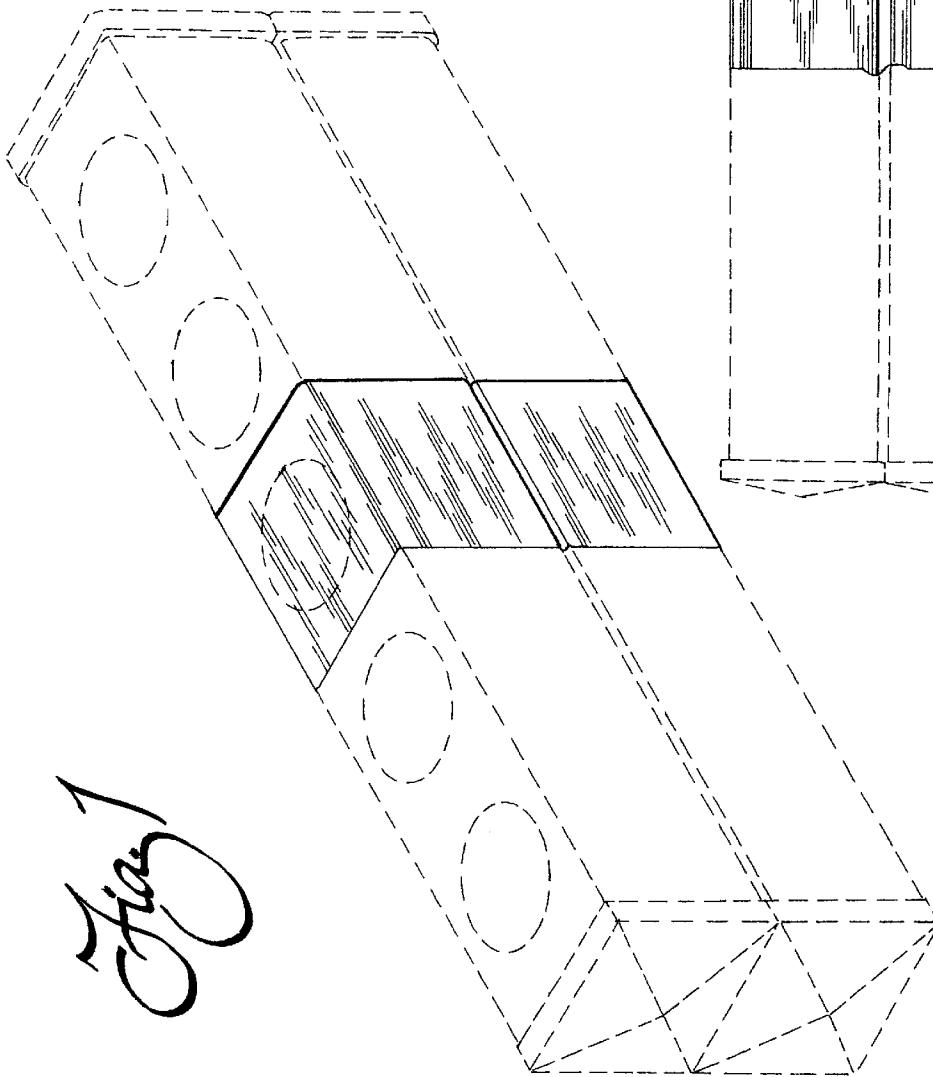
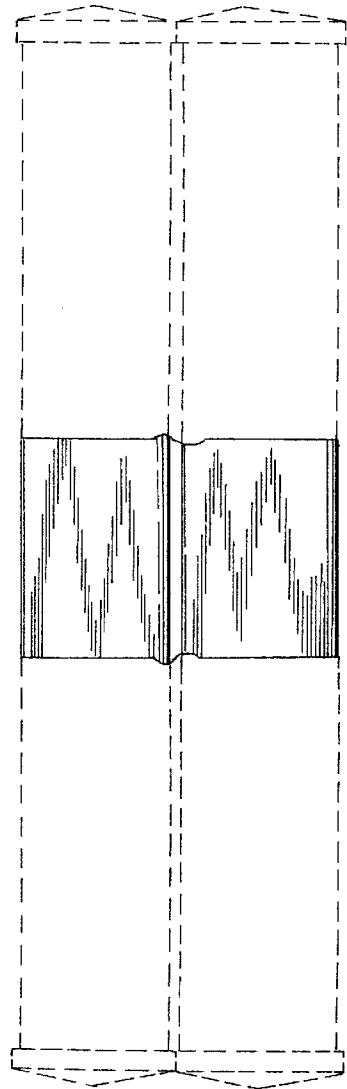


Fig. 2



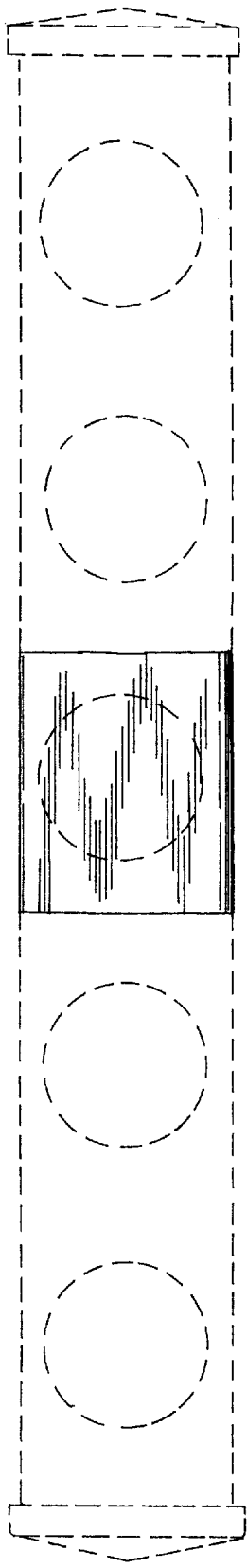


Fig. 3

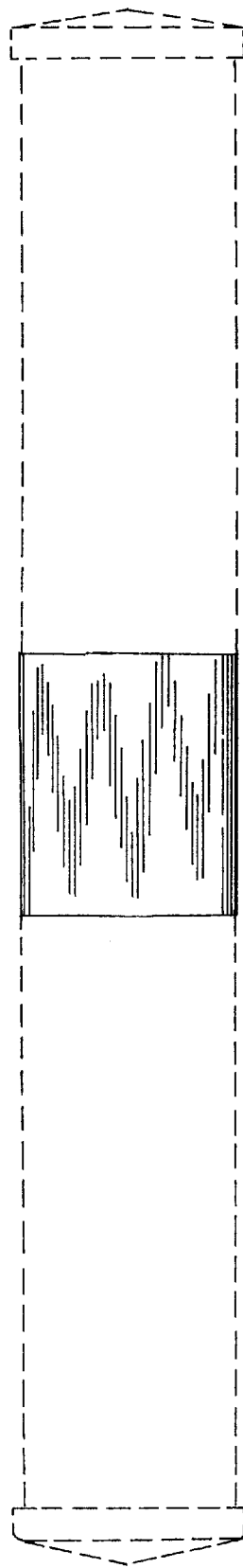


Fig. 4