



US00D985174S

(12) **United States Design Patent**  
**Zhao**

(10) **Patent No.:** **US D985,174 S**

(45) **Date of Patent:** **\*\* May 2, 2023**

(54) **PROJECTION LAMP**

(71) Applicant: **Baoshan Zhao**, Yinchuan (CN)

(72) Inventor: **Baoshan Zhao**, Yinchuan (CN)

(\*\*) Term: **15 Years**

(21) Appl. No.: **29/827,037**

(22) Filed: **Feb. 17, 2022**

(51) **LOC (14) Cl.** ..... **26-03**

(52) **U.S. Cl.**  
USPC ..... **D26/93; D26/104**

(58) **Field of Classification Search**  
USPC .... D26/1, 24, 37, 51, 61–67, 72, 80, 85, 92,  
D26/93, 102, 104–113, 118–120, 38, 40,  
D26/46, 50; D16/239, 244  
CPC .... F21K 5/023; F21S 4/00; F21S 6/00; F21S  
6/002; F21S 6/004; F21S 6/005; F21S  
6/006; F21S 8/00; F21S 8/003; F21S  
8/03; F21S 8/033; F21S 8/036; F21S  
8/04; F21S 8/043; F21S 9/00; F21S 9/02;  
F21S 10/00; F21V 14/02; F21V 15/01;  
F21V 15/02; F21V 17/02; F21V 21/00;  
F21V 21/02; F21V 21/06; F21V 21/14;  
F21V 21/26; F21V 21/30; F21W 2121/00;  
F21W 2131/30

See application file for complete search history.

(56) **References Cited**

**U.S. PATENT DOCUMENTS**

D271,141 S *	10/1983	Seymour	.....	D26/74
D271,241 S *	11/1983	Vrignaud	.....	D26/104
D420,754 S *	2/2000	Huang	.....	D26/11
D468,044 S *	12/2002	Lam	.....	D26/104
D469,207 S *	1/2003	Chang	.....	D26/104
D576,338 S *	9/2008	Levine	.....	D26/85
D729,953 S *	5/2015	Broom	.....	D26/2
D752,802 S *	3/2016	Johnson	.....	D26/94
D852,405 S *	6/2019	Zeng	.....	D26/104

D854,226 S	7/2019	Lin	.....	
D858,861 S	9/2019	Lin	.....	
D861,965 S *	10/2019	Lin	.....	D26/110
D861,967 S *	10/2019	Lin	.....	D26/110
10,443,810 B1 *	10/2019	Zhang	.....	F21V 1/12
D885,643 S *	5/2020	Chen	.....	D26/106
D887,069 S *	6/2020	Dou	.....	D26/104
D890,406 S *	7/2020	Chen	.....	D26/104
D907,280 S *	1/2021	Zeng	.....	D26/104
D907,281 S *	1/2021	Wu	.....	D26/104
D914,957 S *	3/2021	Zeng	.....	D26/110
D917,774 S *	4/2021	Wang	.....	D26/110
D923,237 S	6/2021	Tan	.....	
D943,800 S *	2/2022	Wang	.....	D26/104
D948,767 S *	4/2022	Yu	.....	D26/63
D949,456 S *	4/2022	Liu	.....	D26/93
D951,521 S *	5/2022	Workman	.....	D26/110
D959,717 S *	8/2022	Hsu	.....	D26/40
D964,636 S *	9/2022	Zheng	.....	D26/110

\* cited by examiner

*Primary Examiner* — Nathan M Johnston

(74) *Attorney, Agent, or Firm* — Runit R. Kanakia

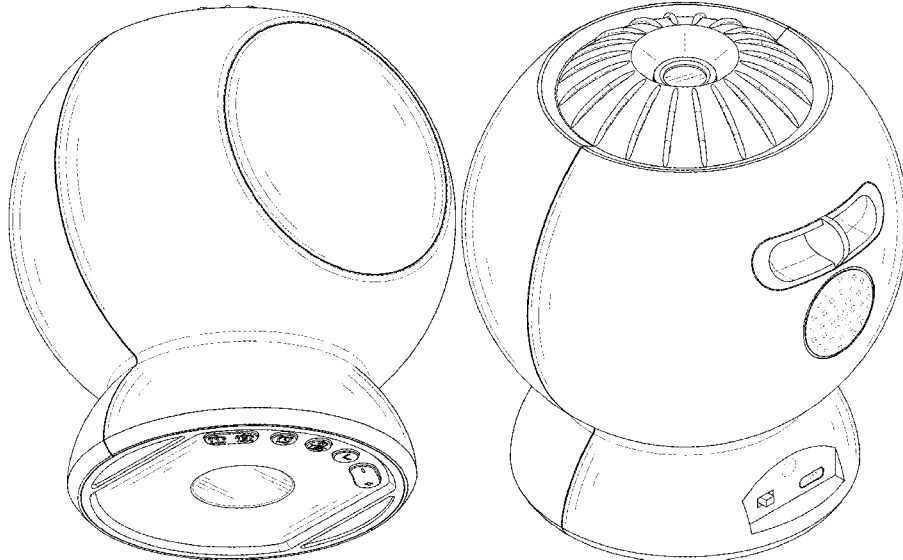
(57) **CLAIM**

The ornamental design for a projection lamp, as shown and described.

**DESCRIPTION**

FIG. 1 is a first perspective view of a projection lamp showing my new design;  
FIG. 2 is a second perspective view thereof;  
FIG. 3 is a front view thereof;  
FIG. 4 is a back view thereof;  
FIG. 5 is a left side view thereof;  
FIG. 6 is a right side view thereof;  
FIG. 7 is a top view thereof; and,  
FIG. 8 is a bottom view thereof.  
The broken lines shown in the drawings depict portions of the projection lamp that form no part of the claimed design.

**1 Claim, 8 Drawing Sheets**



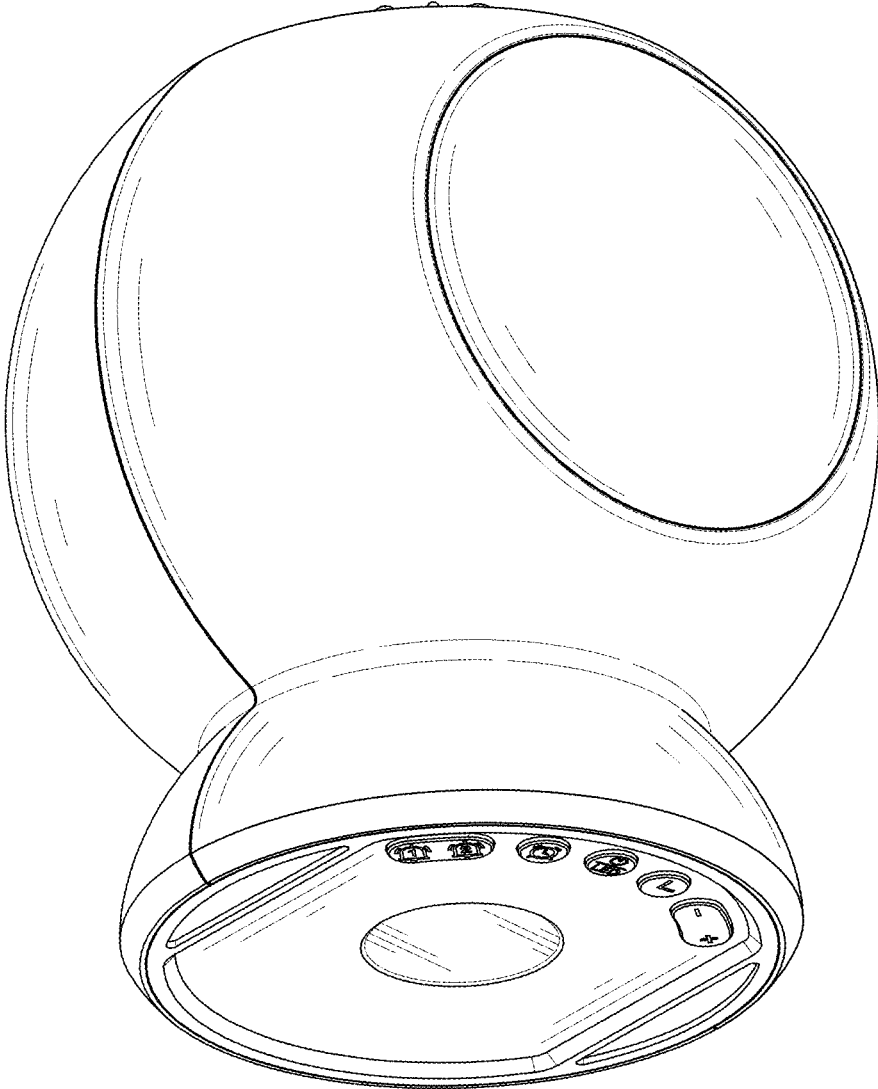


FIG. 1

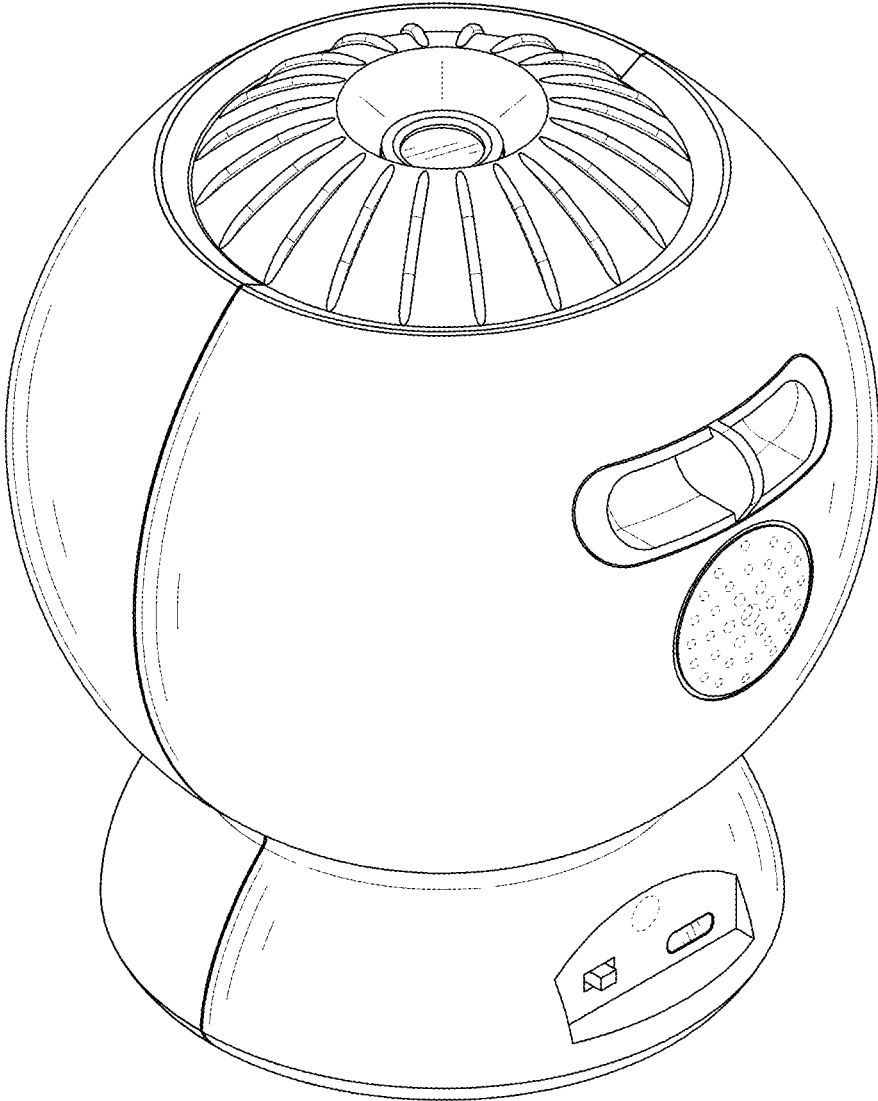


FIG. 2

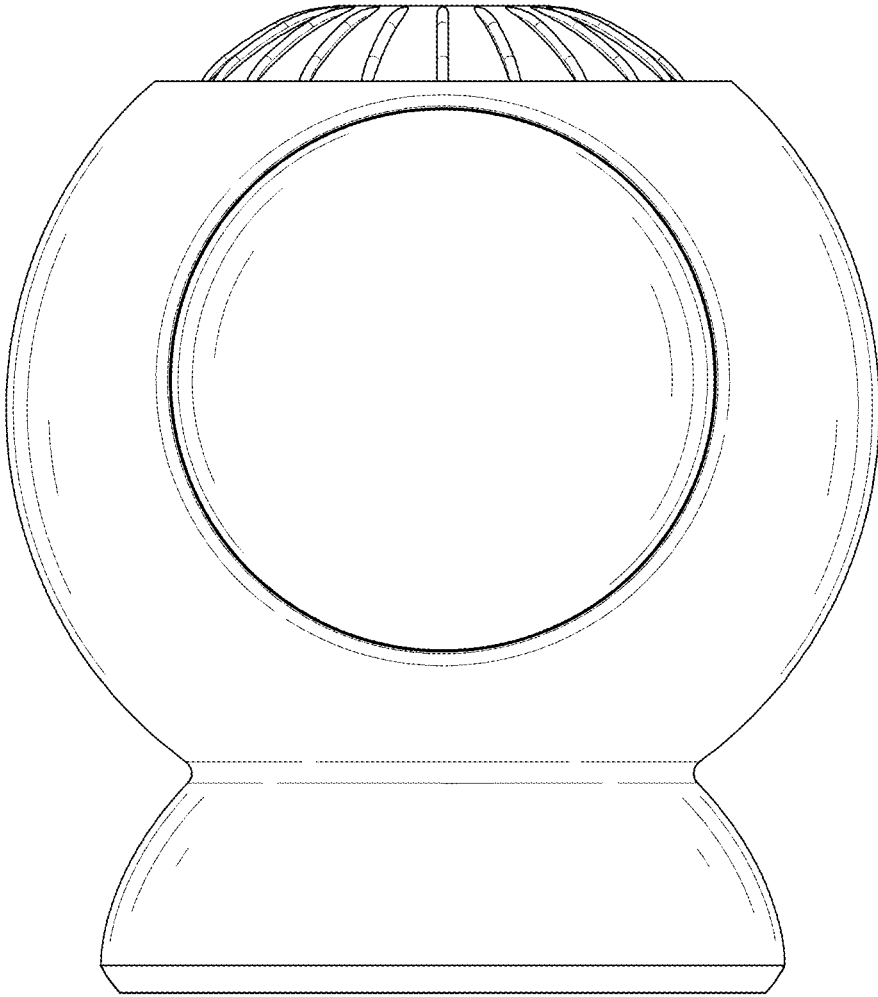


FIG. 3

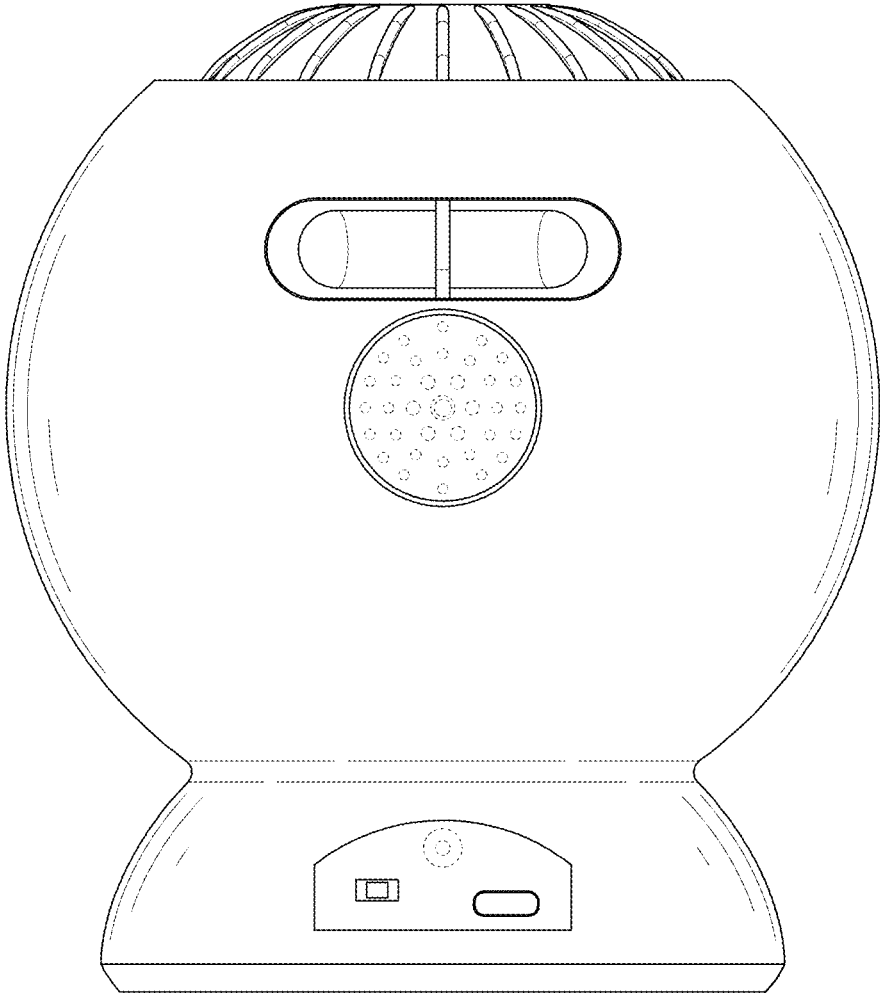


FIG. 4

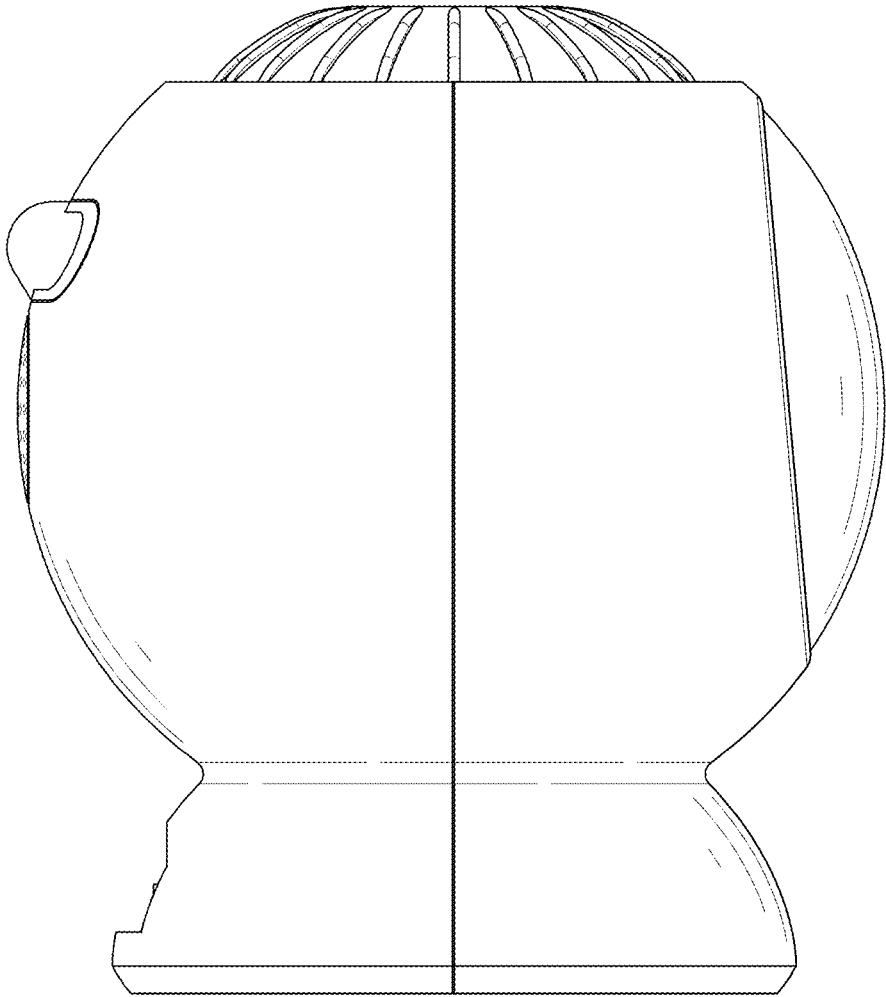


FIG. 5

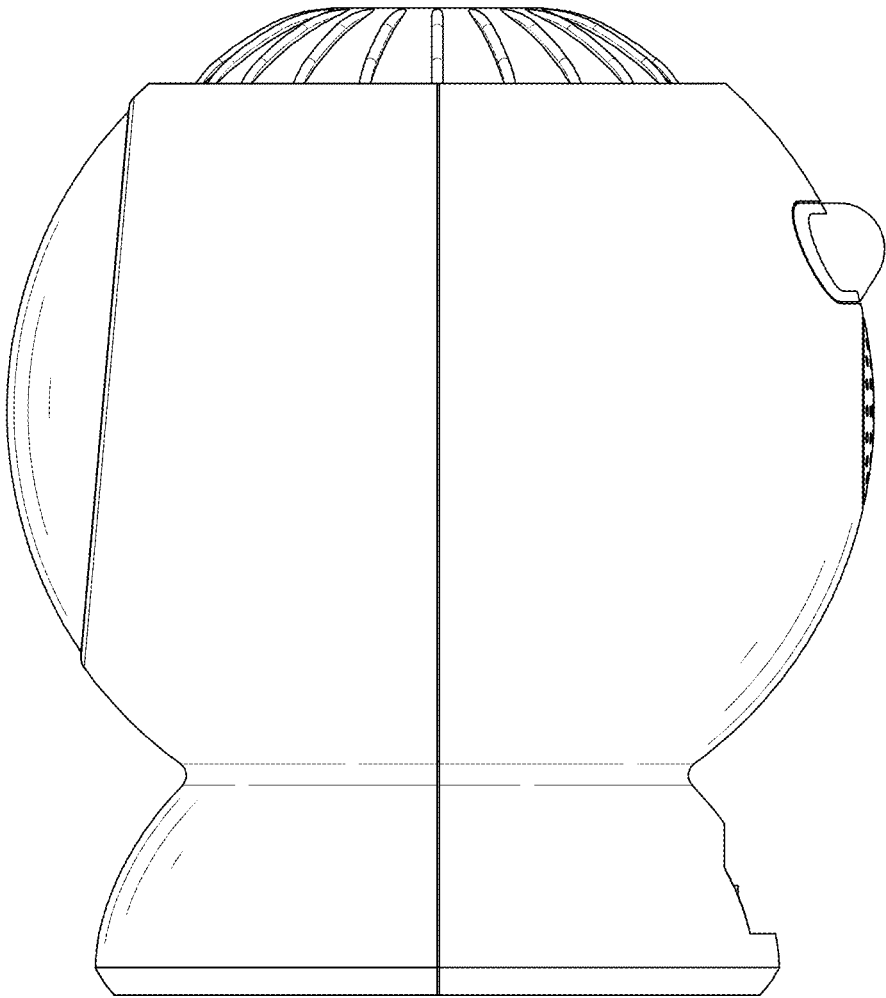


FIG. 6

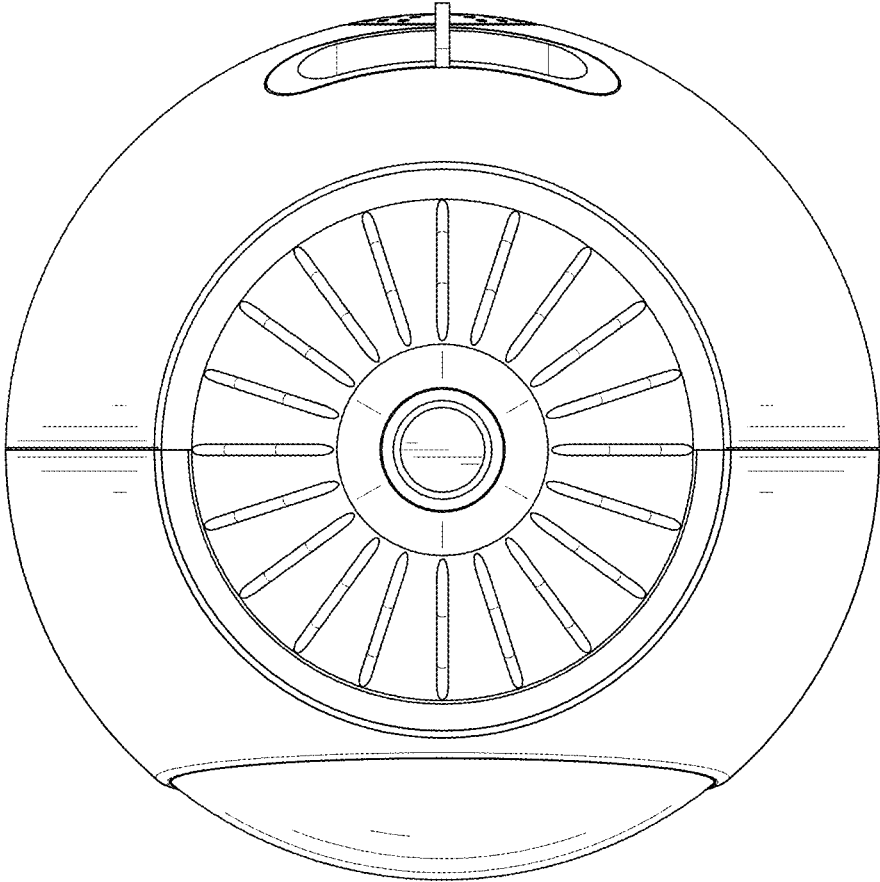


FIG. 7



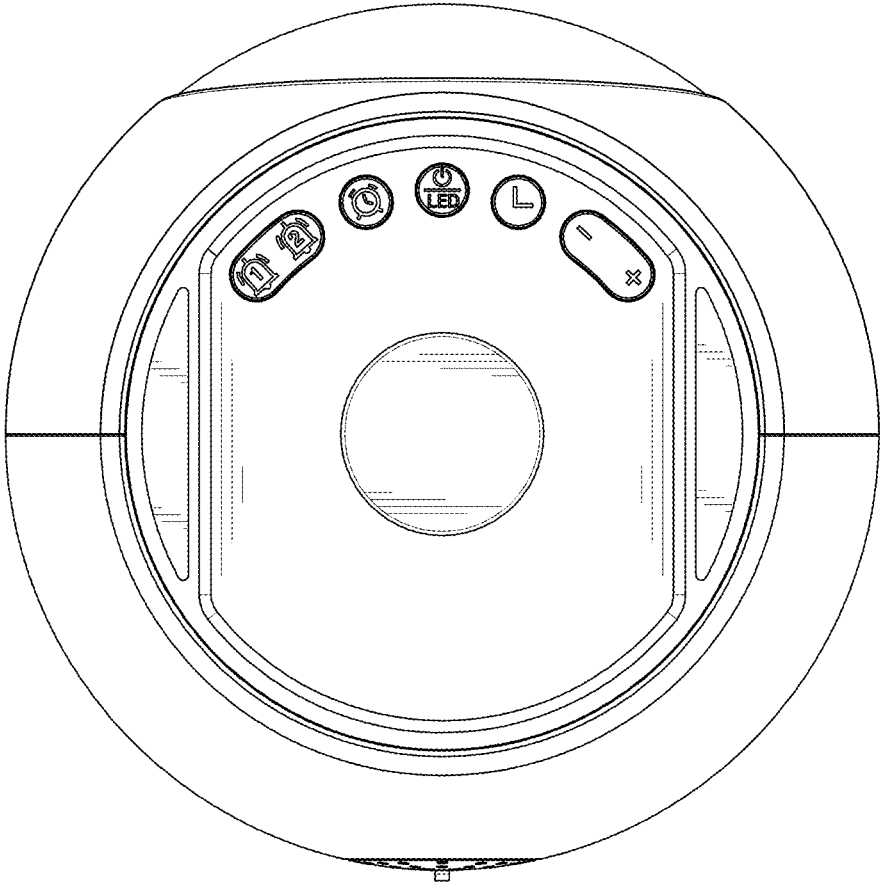


FIG. 8