



US00D784824S

(12) **United States Design Patent**
Ross

(10) **Patent No.:** **US D784,824 S**

(45) **Date of Patent:** **** Apr. 25, 2017**

- (54) **RECLOSABLE SHOPPING BAG**
- (71) Applicant: **Poly-America, L.P.**, Grand Prairie, TX (US)
- (72) Inventor: **Michael A. Ross**, West Lake, TX (US)
- (73) Assignee: **Poly-America, L.P.**, Grand Prairie, TX (US)
- (**) Term: **15 Years**
- (21) Appl. No.: **29/547,991**
- (22) Filed: **Dec. 9, 2015**
- (51) **LOC (10) Cl.** **09-05**
- (52) **U.S. Cl.**
USPC **D9/705**
- (58) **Field of Classification Search**
USPC D9/702-714, 430-434, 423, 499;
D3/303, 202, 205, 221, 226, 246, 240,
D3/304-315, 201, 276; 383/6, 105-120,
383/127, 10; 220/915.1, 915.2, 592.01,
220/773, 755; D7/601, 605-607,
D7/709-710, 393, 394, 395, 602, 622,
D7/624.2; 206/139, 428, 488, 427, 433,
206/434, 432; 229/117.19, 116.5, 923,
229/87.03, 87.18, 87.19, 117.09;
150/100, 107; 493/226; 215/399, 396
CPC ... B65D 1/00; B65D 1/22; B65D 1/44; B65D
33/00; B65D 33/12; B65D 33/16; B65D
31/00; B65D 31/10; B65D 5/00; B65D
5/06; A45C 1/00; A45C 1/02; A45C 3/06;
A45C 3/00; A45C 3/10
See application file for complete search history.

3,800,361 A *	4/1974	Stauffer	A45F 5/10
				16/411
4,125,220 A	11/1978	Suominen		
4,932,556 A	6/1990	Hui et al.		
5,135,464 A	8/1992	Buchanan		
D350,689 S *	9/1994	Chao	D3/303
5,350,240 A	9/1994	Billman		
5,547,284 A	8/1996	Imer		
5,772,332 A	6/1998	Geller		
5,788,378 A	8/1998	Thomas		
5,882,120 A	3/1999	Bell		
D451,794 S	12/2001	Ichikawa		
6,325,543 B1	12/2001	Ausnit		
6,332,712 B1	12/2001	Headley		
D458,121 S	6/2002	Ichikawa		
D472,139 S *	3/2003	Rizzuto, Jr.	D9/709
D502,390 S *	3/2005	Ouchi	D9/705
D546,520 S *	7/2007	Glas	D34/1
D576,888 S *	9/2008	Helfman	D9/601
D597,851 S *	8/2009	Rea	D9/703

(Continued)

Primary Examiner — Abraham Bahta
(74) *Attorney, Agent, or Firm* — Daniel J. Layden;
Brandon J. Lee

(57) **CLAIM**

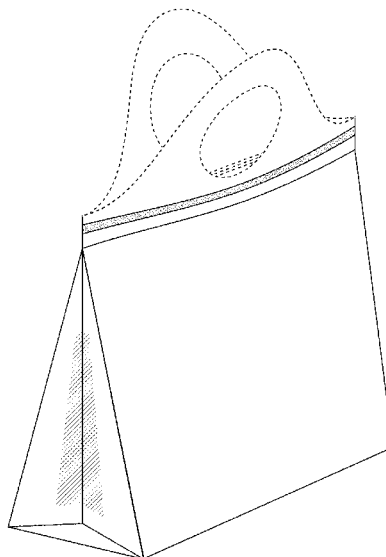
The ornamental design for a “reclosable shopping bag,” as shown and described.

DESCRIPTION

FIG. 1 is a front perspective view of a reclosable shopping bag embodying my new design;
FIG. 2 is a top perspective view thereof;
FIG. 3 is a front plan view thereof;
FIG. 4 is a rear plan view thereof;
FIG. 5 is a top plan view thereof; and,
FIG. 6 is a bottom plan view thereof.
The broken lines in the drawings are for illustrative purposes only and do not form a part of the claimed design. The stippling in the drawings disclose a contrasting surface.

1 Claim, 5 Drawing Sheets

- (56) **References Cited**
U.S. PATENT DOCUMENTS
3,361,333 A 1/1968 Stuart
3,402,749 A 9/1968 Kinzler



(56)

References Cited

U.S. PATENT DOCUMENTS

D625,613	S *	10/2010	Cowan-Hughes	D9/703
D698,133	S *	1/2014	Callegarini	D2/896
D730,745	S *	6/2015	Cowan-Hughes	D9/709
D752,988	S *	4/2016	Brown	D9/631
D760,597	S *	7/2016	Cho	D9/706
2002/0033396	A1	3/2002	Hupp et al.	
2004/0109617	A1	6/2004	Winiecki	
2004/0131284	A1	7/2004	Stolmeier	
2005/0041894	A1	2/2005	Hanson	
2005/0053315	A1	3/2005	Aasen	
2005/0238765	A1	10/2005	Weaver et al.	
2012/0292224	A1	11/2012	Matsushima et al.	
2013/0139473	A1	6/2013	Beer	

* cited by examiner

Fig 1

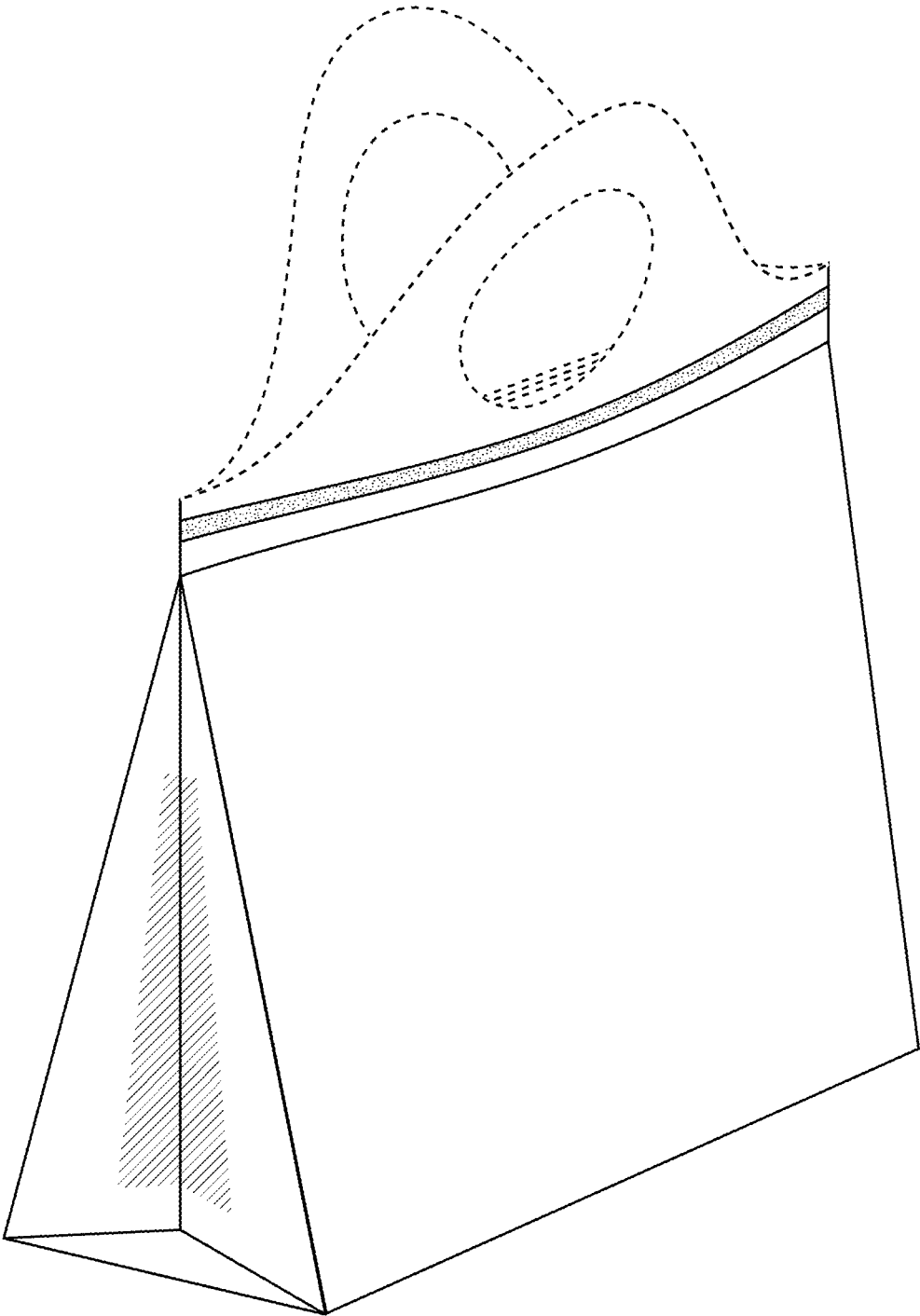


Fig 2

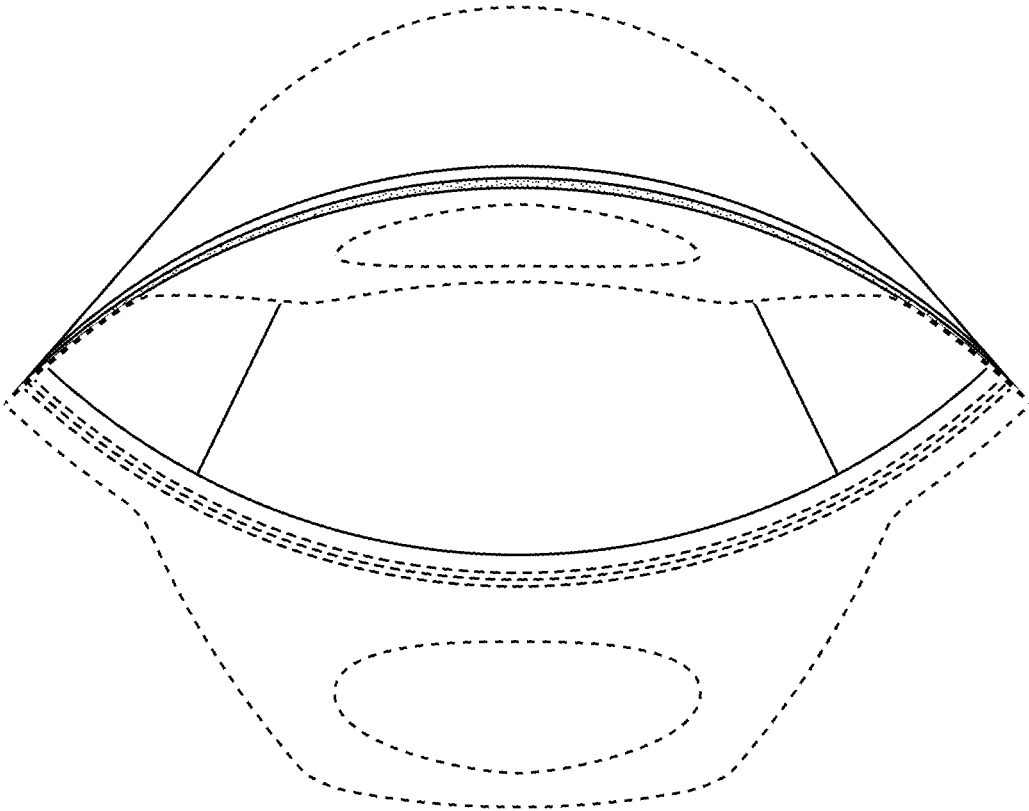


Fig 3

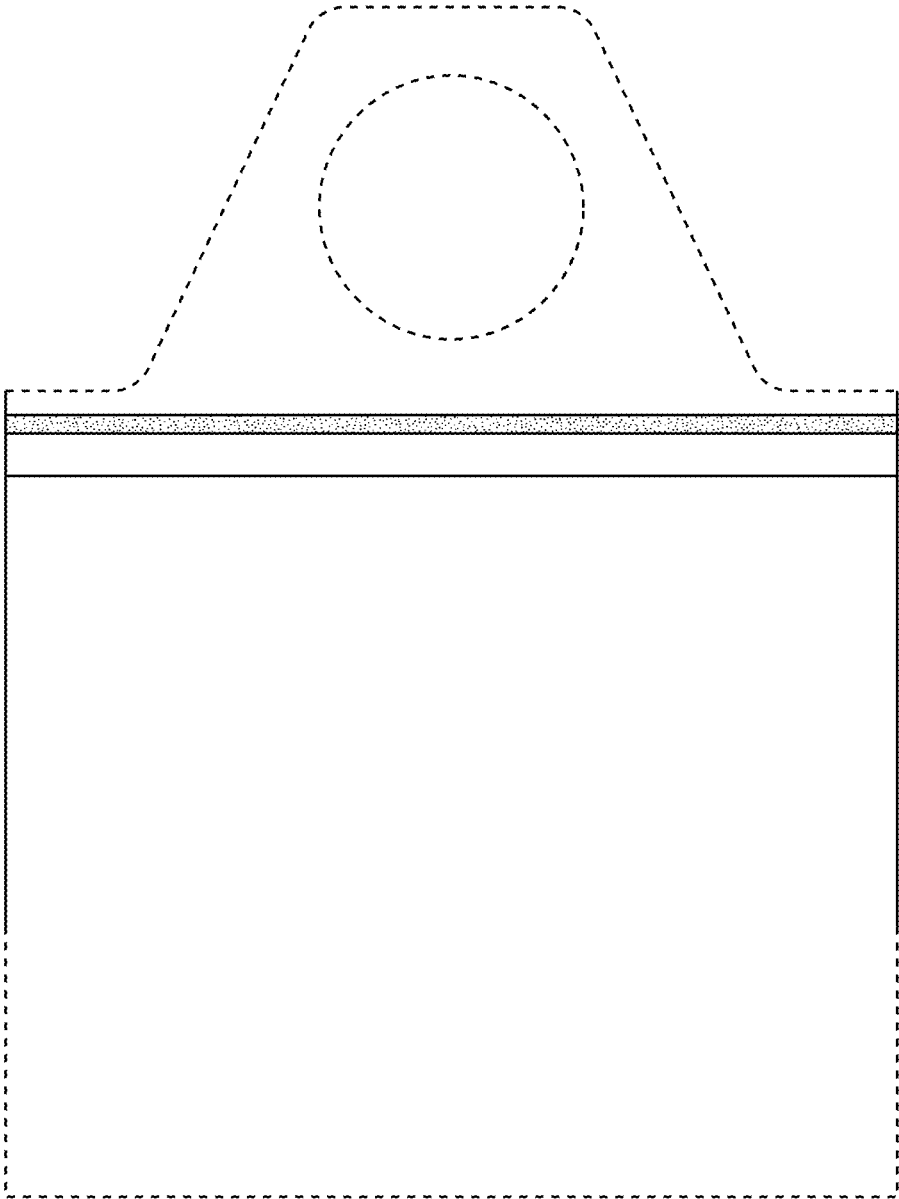


Fig 4

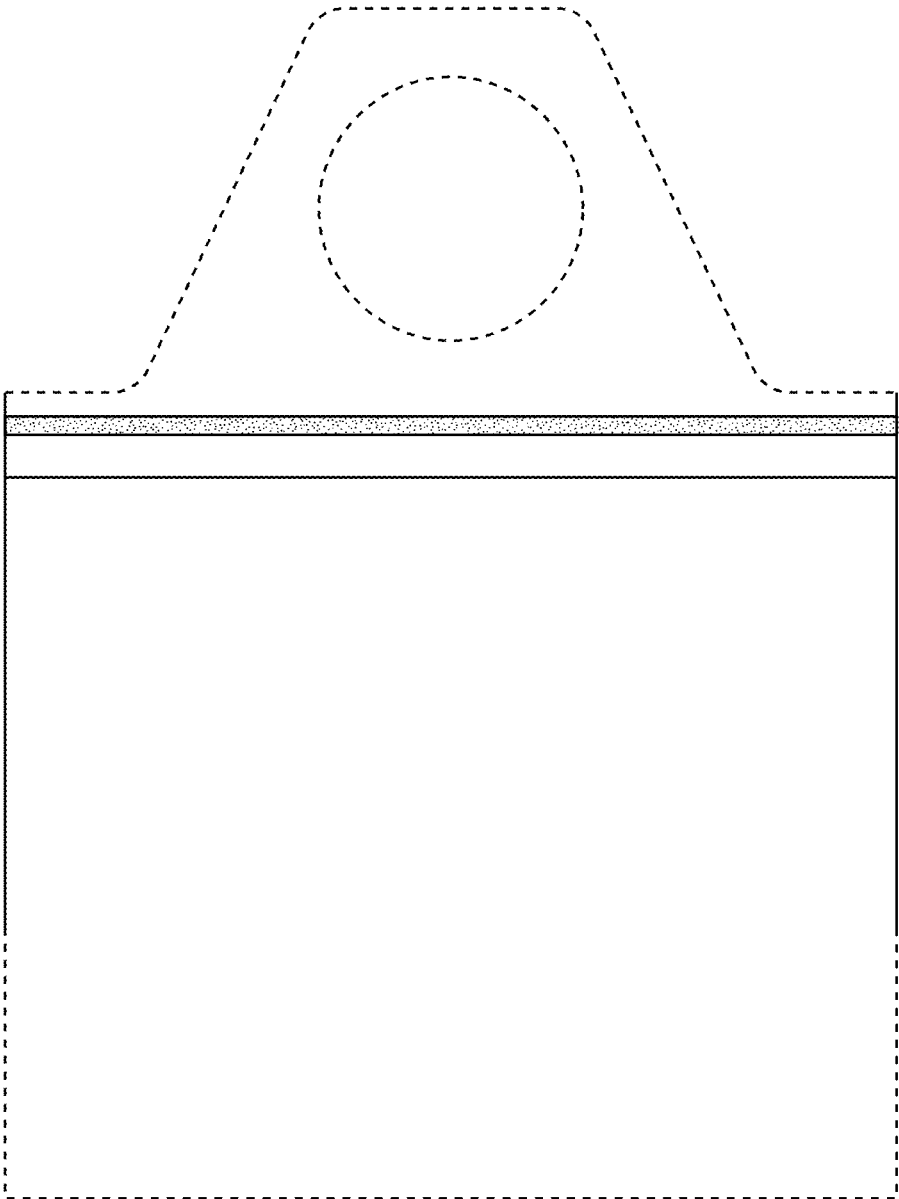


Fig 5

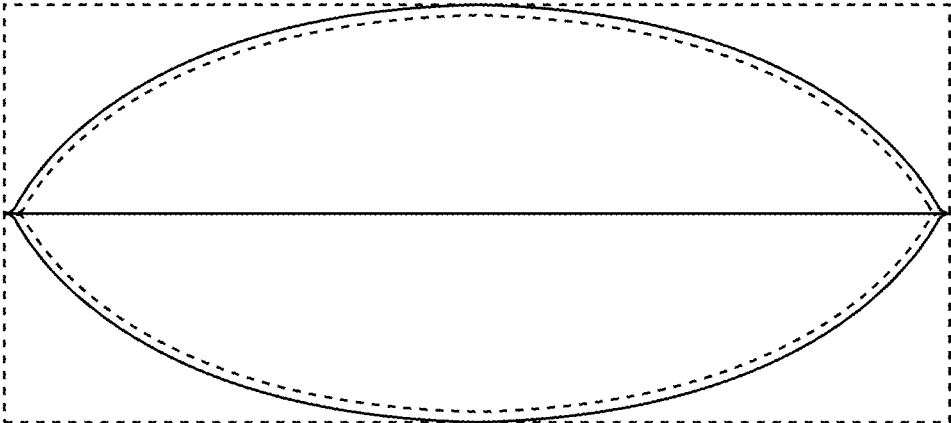


Fig 6

