



US00D816248S

(12) **United States Design Patent**
Antoniadis et al.

(10) **Patent No.:** **US D816,248 S**

(45) **Date of Patent:** **** Apr. 24, 2018**

- (54) **TAILLIGHT FOR A VEHICLE**
- (71) Applicant: **Daimler AG**, Stuttgart (DE)
- (72) Inventors: **Apostolos Antoniadis**, Stuttgart (DE);
Achim-Dietrich Badstuebner, Munich (DE);
Stefan Handt, Stuttgart (DE);
Robert Lesnik, Leonberg (DE)
- (73) Assignee: **Daimler AG**, Stuttgart (DE)
- (**) Term: **15 Years**
- (21) Appl. No.: **29/600,669**
- (22) Filed: **Apr. 14, 2017**
- (30) **Foreign Application Priority Data**

Oct. 17, 2016 (WO) DM/093337

(51) **LOC (11) Cl.** **26-06**

(52) **U.S. Cl.**
USPC **D26/28**

(58) **Field of Classification Search**
USPC D26/28–36; 362/80–83, 267–269,
362/459–468, 475–478, 485–487
CPC F21S 48/00; F21S 48/10; F21S 48/115;
F21S 48/225; F21S 48/1233; F21S
48/1266; F21S 48/1388; F21S 48/2268;
F21V 21/04

See application file for complete search history.

(56) **References Cited**

U.S. PATENT DOCUMENTS

- D506,277 S * 6/2005 Ito D26/28
- D523,978 S * 6/2006 Chuang D26/28

- D542,949 S * 5/2007 Lin D26/28
- D566,306 S * 4/2008 Hsu D26/28
- D590,525 S * 4/2009 Yang D26/28
- D715,706 S 10/2014 Futschik et al.
- D716,698 S 11/2014 Futschik et al.
- D721,840 S 1/2015 Futschik et al.

* cited by examiner

Primary Examiner — Marcus Jackson

(74) *Attorney, Agent, or Firm* — Crowell & Moring LLP

(57) **CLAIM**

The ornamental design for a taillight for a vehicle, as shown and described.

DESCRIPTION

This application contains subject matter related to the following co-pending U.S. design patent application: Application Ser. No. 29/600,670, filed herewith and entitled “Taillight for a Vehicle”.

FIG. 1 is a front view of a first embodiment of a taillight for a vehicle according to the design;

FIG. 2 is a top, front perspective view thereof;

FIG. 3 is a left side view thereof; and

FIG. 4 is a top view thereof.

FIG. 5 is a front view of the second embodiment of the taillight for a vehicle, with the taillight for a vehicle, for the opposite side of the vehicle being depicted in the first embodiment;

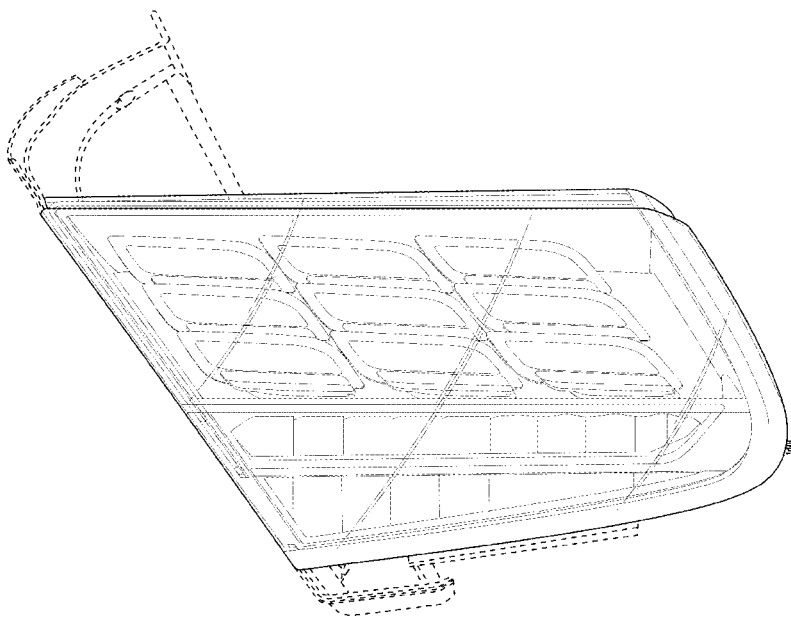
FIG. 6 is a top, front perspective view thereof;

FIG. 7 is a right side view thereof; and,

FIG. 8 is a top view thereof.

The broken lines in the drawings illustrate environmental subject matter only and form no part of the claimed design. Also enclosed is a set of photographs of an embodiment of the design.

1 Claim, 8 Drawing Sheets



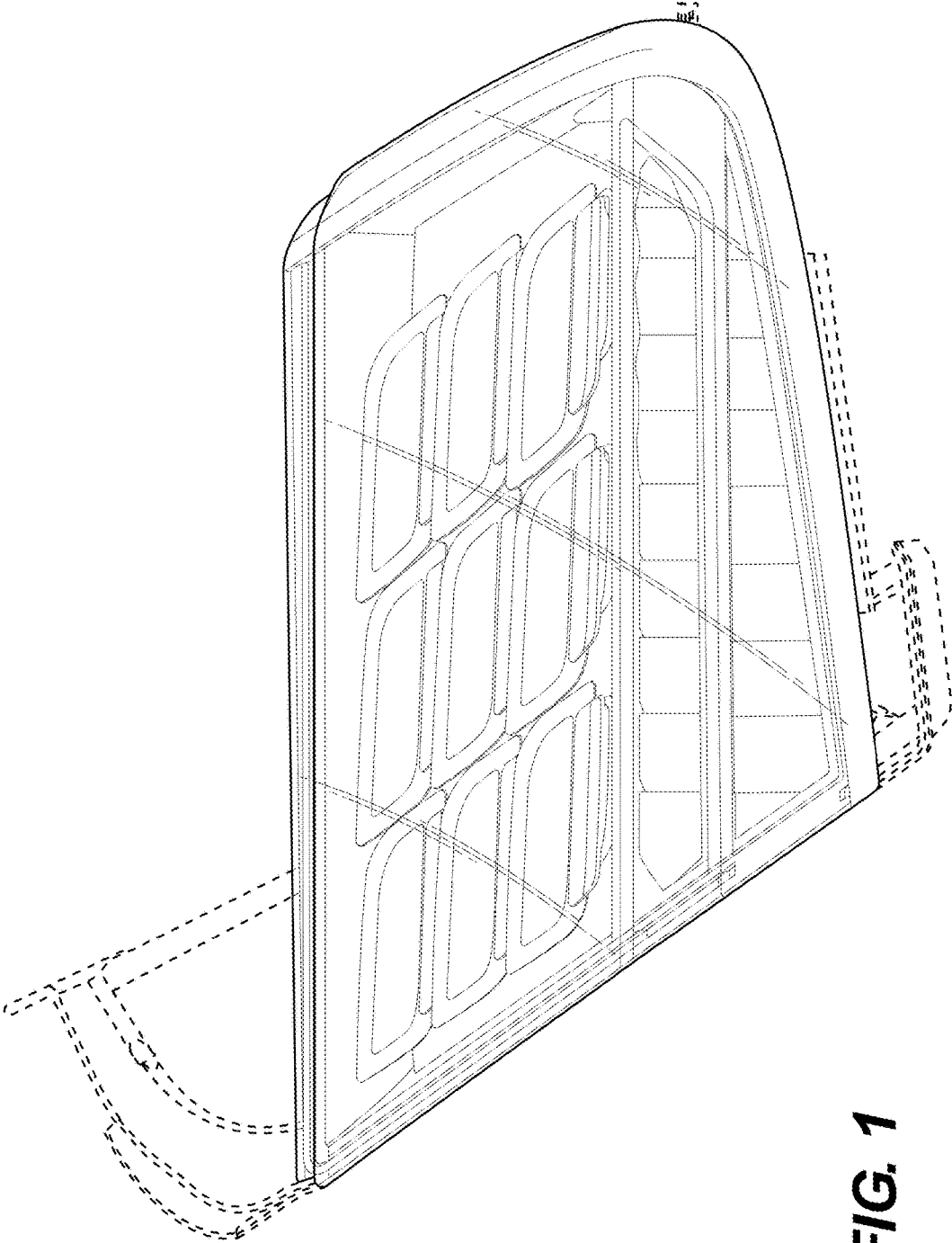


FIG. 1

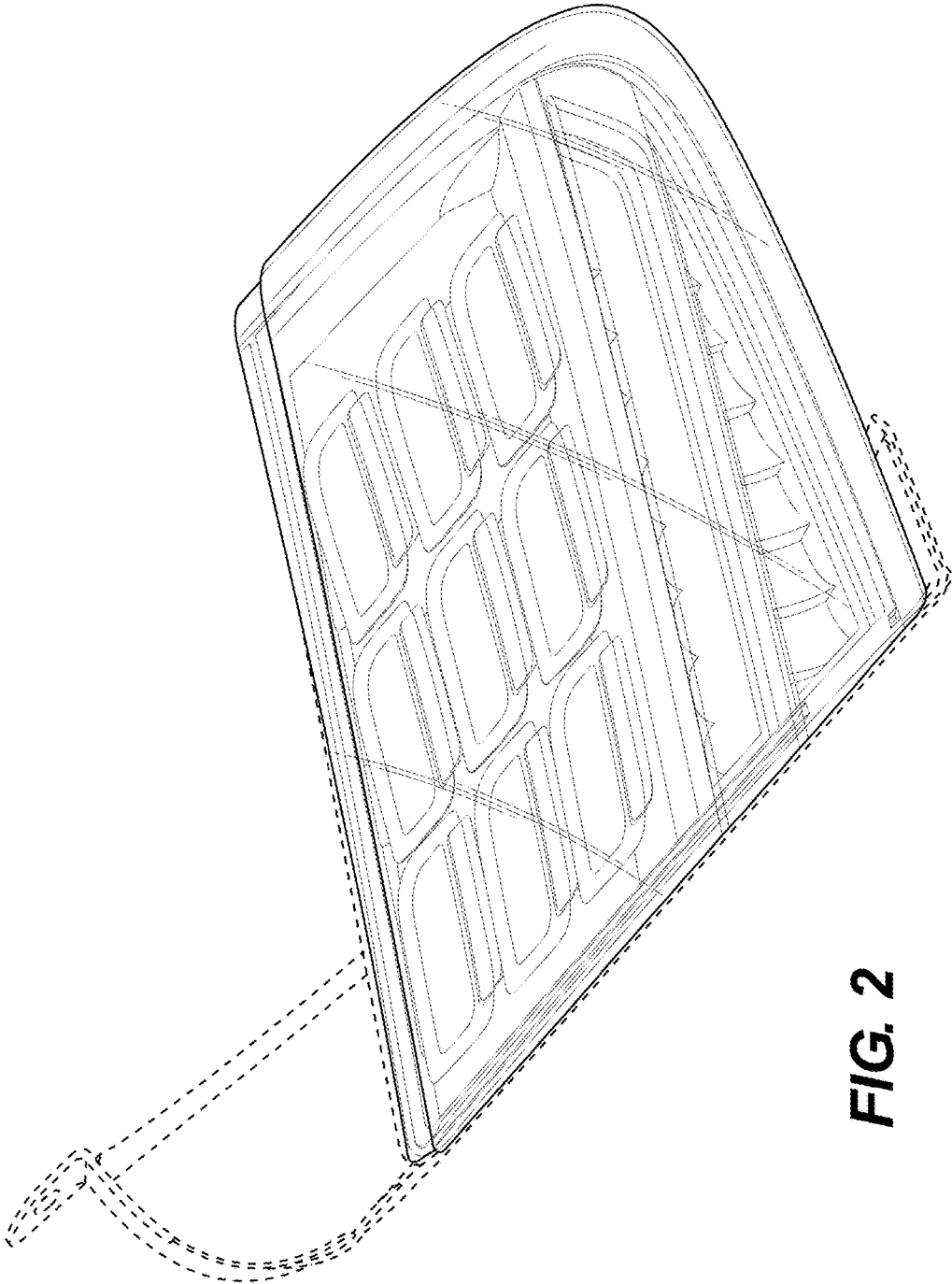


FIG. 2

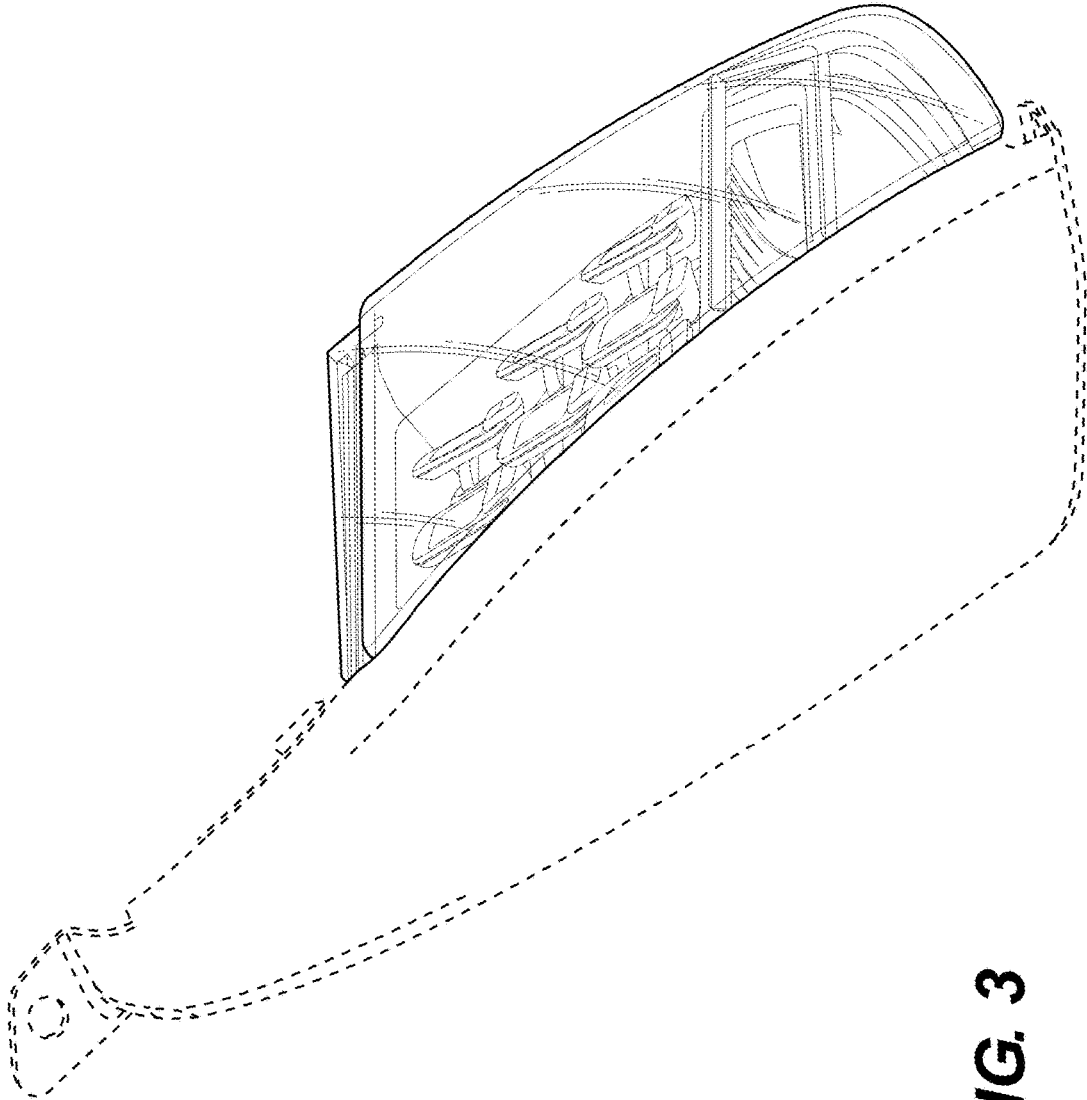


FIG. 3

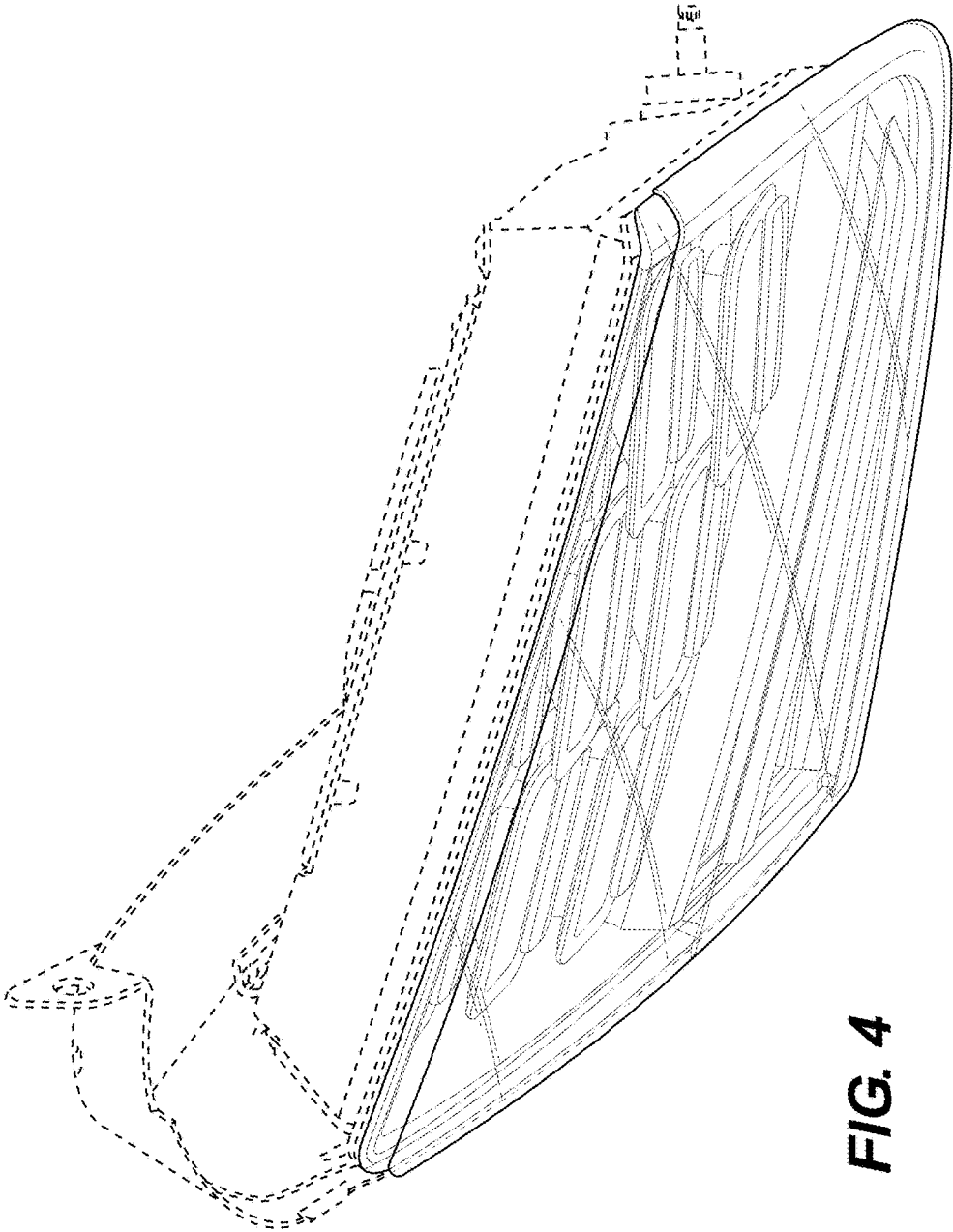


FIG. 4

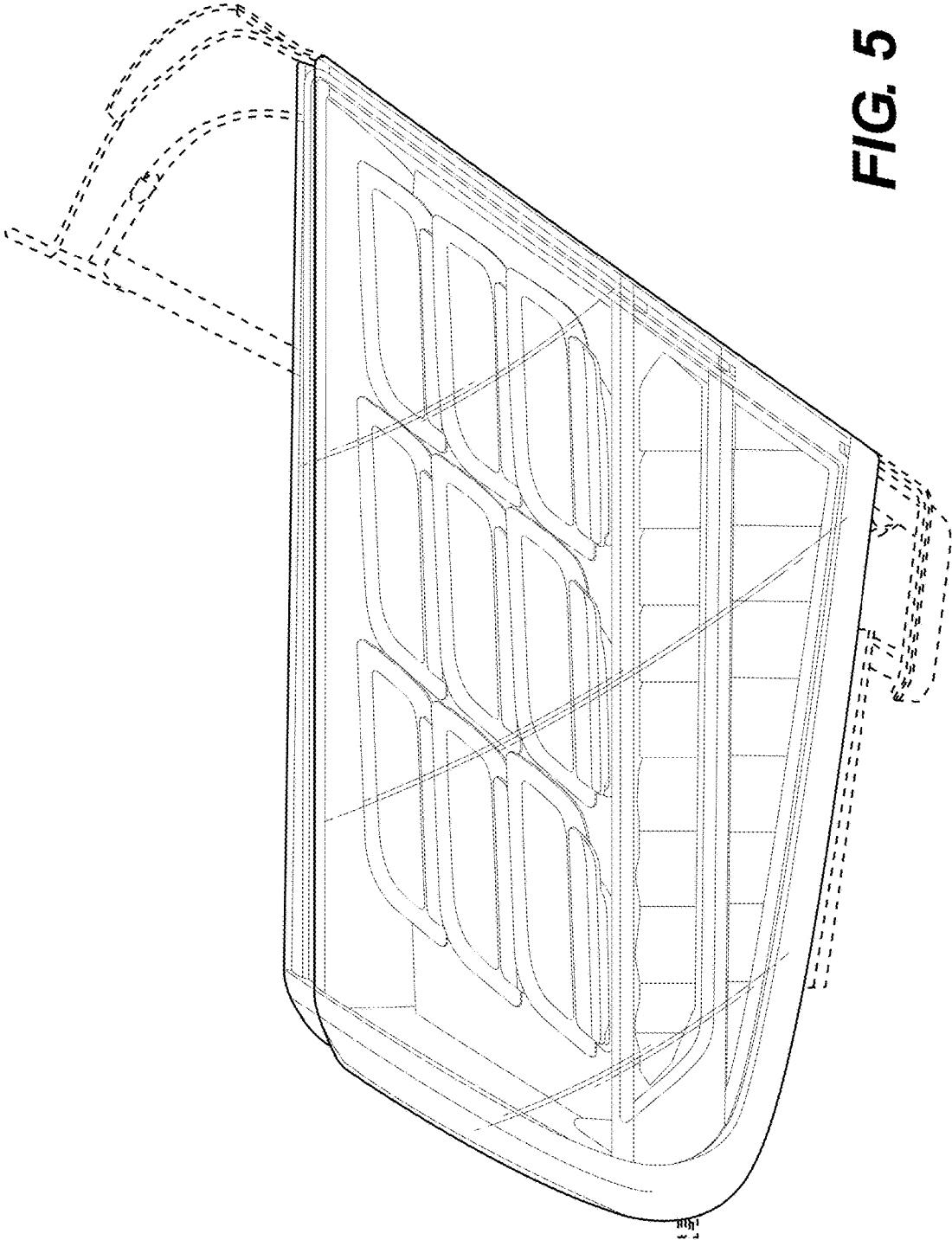


FIG. 5

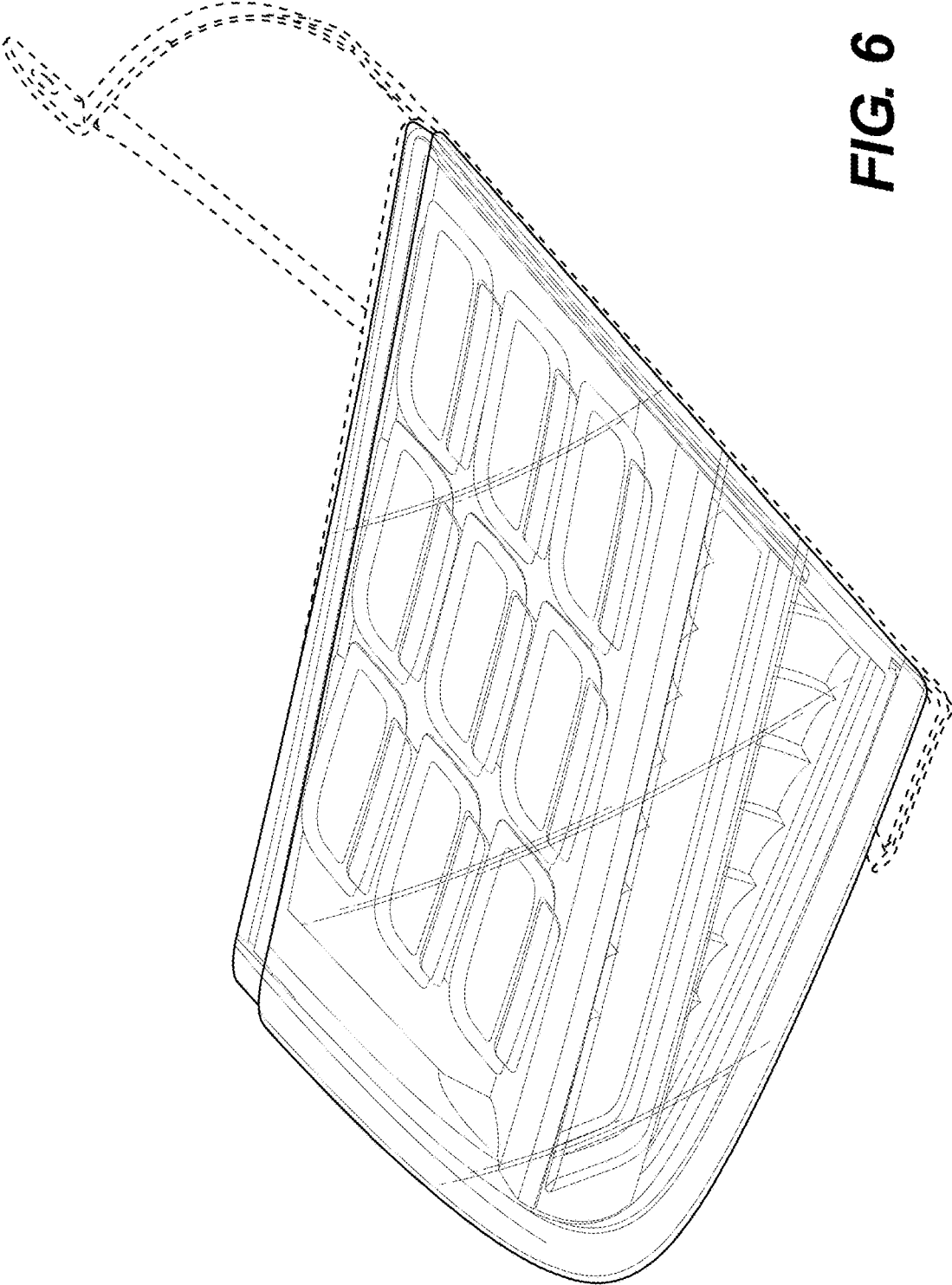


FIG. 6

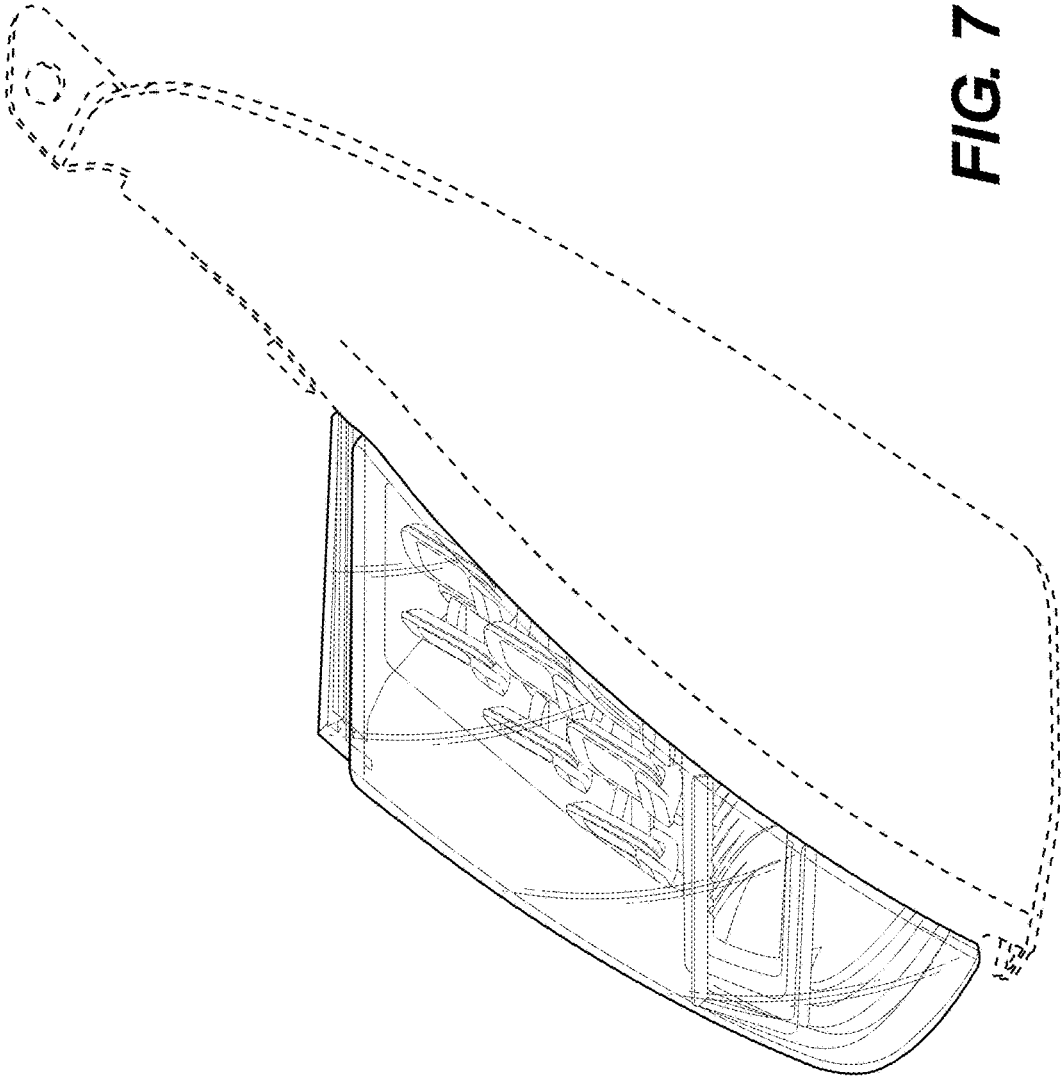


FIG. 7

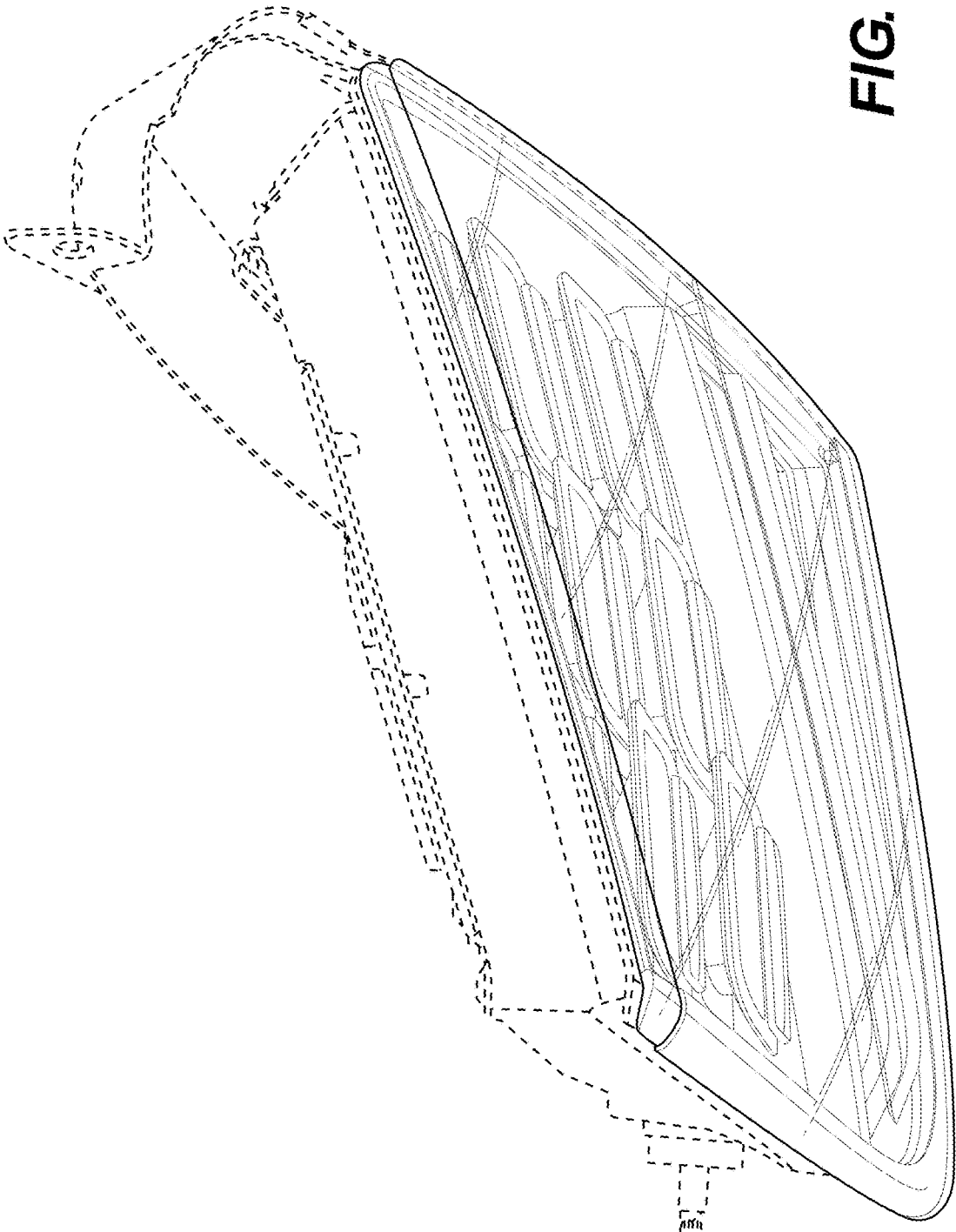


FIG. 8