



US00D928742S

(12) **United States Design Patent**  
**Liu**

(10) **Patent No.:** **US D928,742 S**

(45) **Date of Patent:** **\*\* Aug. 24, 2021**

(54) **WIRELESS EARPHONE**

(71) Applicant: **Shenzhen Eriwin Technology Limited., Shenzhen (CN)**

(72) Inventor: **Xiabo Liu, Guangdong (CN)**

(\*\*) Term: **15 Years**

(21) Appl. No.: **29/710,683**

(22) Filed: **Oct. 25, 2019**

(51) **LOC (13) Cl.** ..... **14-01**

(52) **U.S. Cl.**

USPC ..... **D14/223**

(58) **Field of Classification Search**

USPC ..... D14/223, 205; D24/174; 128/864-867;  
381/380, 381, 328; 455/90.3, 575.1,  
455/569.1

CPC ..... H04R 1/10; H04R 25/00; H04R 25/02;  
H04R 1/1066; H04R 1/1016; H04R  
5/033; H04R 5/0335

See application file for complete search history.

(56) **References Cited**

**U.S. PATENT DOCUMENTS**

D711,356 S *	8/2014	Yang	.....	D14/223
D719,139 S *	12/2014	Henry	.....	D14/223
D719,550 S *	12/2014	Yang	.....	D14/223
D725,082 S *	3/2015	Palmborg	.....	D14/223
D726,145 S *	4/2015	Hsieh	.....	D14/205
D727,871 S *	4/2015	Orbach	.....	D14/205
D728,107 S *	4/2015	Torres Martin	.....	D24/174
D733,101 S *	6/2015	Pi	.....	D14/223
D733,102 S *	6/2015	Palmborg	.....	D14/223
D733,103 S *	6/2015	Jeong	.....	D14/224
D735,169 S *	7/2015	Shieh	.....	D14/223
D742,861 S *	11/2015	Miyake	.....	D14/223
D764,445 S *	8/2016	Czaniecki	.....	D14/223
D773,032 S *	11/2016	Palmborg	.....	D24/106
D773,439 S *	12/2016	Walker	.....	D14/223

D777,710 S *	1/2017	Palmborg	.....	D14/223
D778,267 S *	2/2017	Hsieh	.....	D14/223
D781,269 S *	3/2017	Choe	.....	D14/223
D782,997 S *	4/2017	Shin	.....	D14/205
D788,079 S *	5/2017	Son	.....	D14/223
D795,225 S *	8/2017	Sumii	.....	D14/223
D798,843 S *	10/2017	Valenzuela	.....	D14/223
D800,097 S *	10/2017	Chen	.....	D14/223
D806,879 S *	1/2018	Horbinski	.....	D24/174
D810,054 S *	2/2018	Yuan	.....	D14/223
D812,042 S *	3/2018	Xiao	.....	D14/223
D813,206 S *	3/2018	Tang	.....	D14/223
D817,309 S *	5/2018	Czaniecki	.....	D14/223
D818,990 S *	5/2018	Tzeng	.....	D14/205
D833,420 S *	11/2018	Lindenberger	.....	D14/223

(Continued)

**FOREIGN PATENT DOCUMENTS**

CN	306382240	*	3/2021
CN	306401979	*	3/2021

(Continued)

*Primary Examiner* — Paula Allen Greene

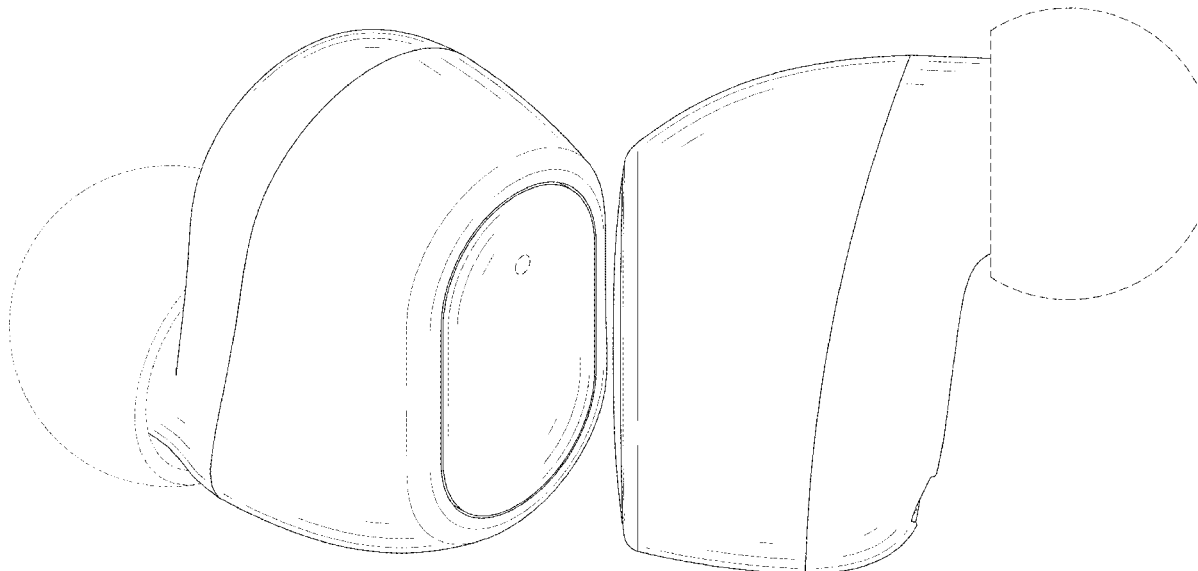
(57) **CLAIM**

The ornamental design for a wireless earphone, as shown and described.

**DESCRIPTION**

FIG. 1 is a front and top perspective view of a wireless earphone, showing my new design;  
 FIG. 2 is a rear and bottom perspective view thereof;  
 FIG. 3 is a front elevational view thereof;  
 FIG. 4 is a rear elevational view thereof;  
 FIG. 5 is a left side elevational view thereof;  
 FIG. 6 is a right side elevational view thereof;  
 FIG. 7 is a top plan view thereof; and,  
 FIG. 8 is a bottom plan view thereof.  
 The broken lines in the figures illustrate portions of the wireless earphone that form no part of the claimed design.

**1 Claim, 8 Drawing Sheets**



(56)

References Cited

U.S. PATENT DOCUMENTS

D843,353 S \* 3/2019 Zhang ..... D14/223  
 D845,932 S \* 4/2019 Lu ..... D14/223  
 D846,532 S \* 4/2019 Xiao ..... D14/223  
 D847,126 S \* 4/2019 Loermann ..... D14/223  
 D852,782 S \* 7/2019 Bergman ..... D14/223  
 D858,489 S \* 9/2019 Hu ..... D14/223  
 D860,975 S \* 9/2019 Briggs ..... D14/223  
 D862,424 S \* 10/2019 You ..... D14/223  
 D863,263 S \* 10/2019 Yu ..... D14/223  
 D864,167 S \* 10/2019 Wu ..... D14/223  
 D868,752 S \* 12/2019 Zhu ..... D14/223  
 D870,707 S \* 12/2019 Yang ..... D14/223  
 D875,714 S \* 2/2020 Kim ..... D14/205  
 D880,457 S \* 4/2020 Zhu ..... D14/223  
 D885,372 S \* 5/2020 Wang ..... D14/223  
 D889,405 S \* 7/2020 McCool ..... D13/110  
 D889,441 S \* 7/2020 Lin ..... D14/223  
 D892,086 S \* 8/2020 Bonahoom ..... D14/223  
 D892,087 S \* 8/2020 Briggs ..... D14/223  
 D892,769 S \* 8/2020 Cai ..... D14/223  
 D897,322 S \* 9/2020 Wei ..... D14/223

D899,405 S \* 10/2020 Vaclavik ..... D14/223  
 10,827,249 B1 \* 11/2020 Pine ..... H04R 1/1016  
 D904,349 S \* 12/2020 Saxton ..... D14/223  
 D906,292 S \* 12/2020 Wang ..... D14/223  
 D915,358 S \* 4/2021 Ma ..... D14/223  
 2011/0155147 A1 \* 6/2011 McIntosh ..... A61F 11/08  
 128/864  
 2012/0114160 A1 \* 5/2012 Lin ..... H04R 1/1091  
 381/380  
 2017/0026738 A1 \* 1/2017 Tang ..... H04R 1/1091  
 2017/0366233 A1 \* 12/2017 Hviid ..... H04B 5/02  
 2018/0035193 A1 \* 2/2018 Tsubone ..... H04R 1/10  
 2019/0069066 A1 \* 2/2019 Song ..... H04R 1/1041  
 2020/0177981 A1 \* 6/2020 Ma ..... H04R 1/1016  
 2020/0186906 A1 \* 6/2020 Birch ..... H04R 1/1016  
 2020/0374632 A1 \* 11/2020 Wang ..... H04R 5/033

FOREIGN PATENT DOCUMENTS

CN 306460475 \* 4/2021  
 JP D1635077 \* 6/2019  
 WO D203843-001 \* 12/2019

\* cited by examiner

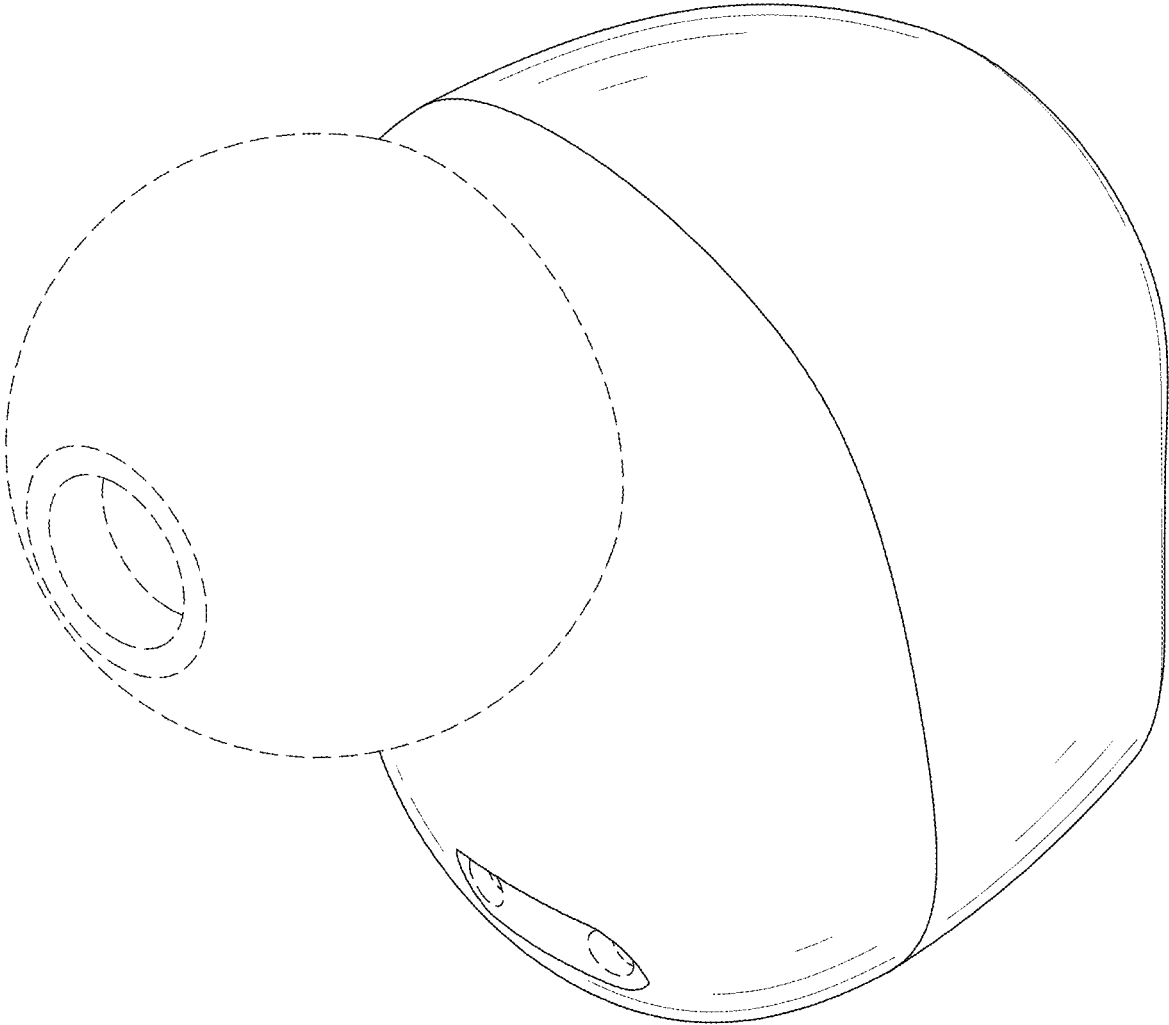


FIG. 1

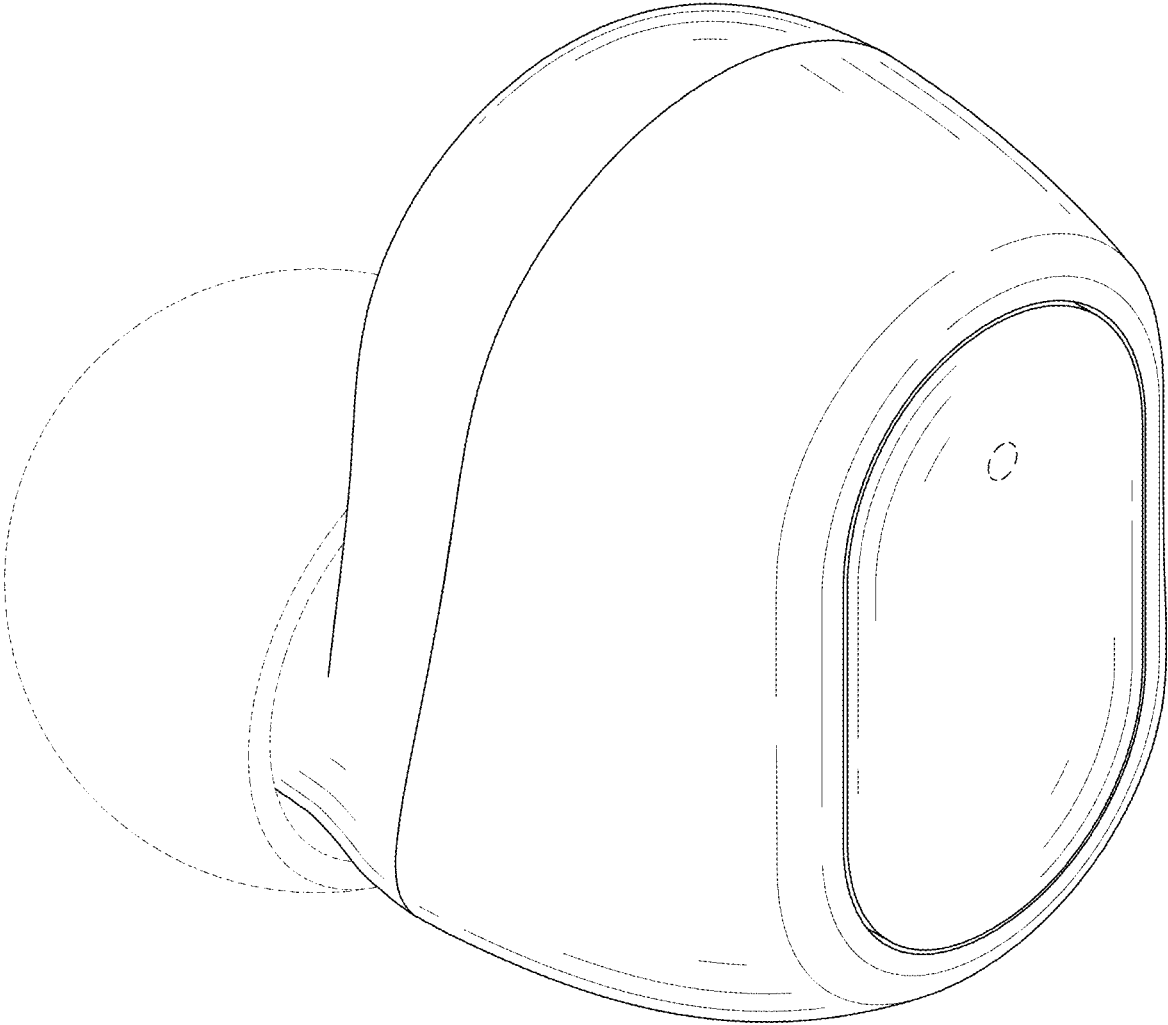


FIG. 2

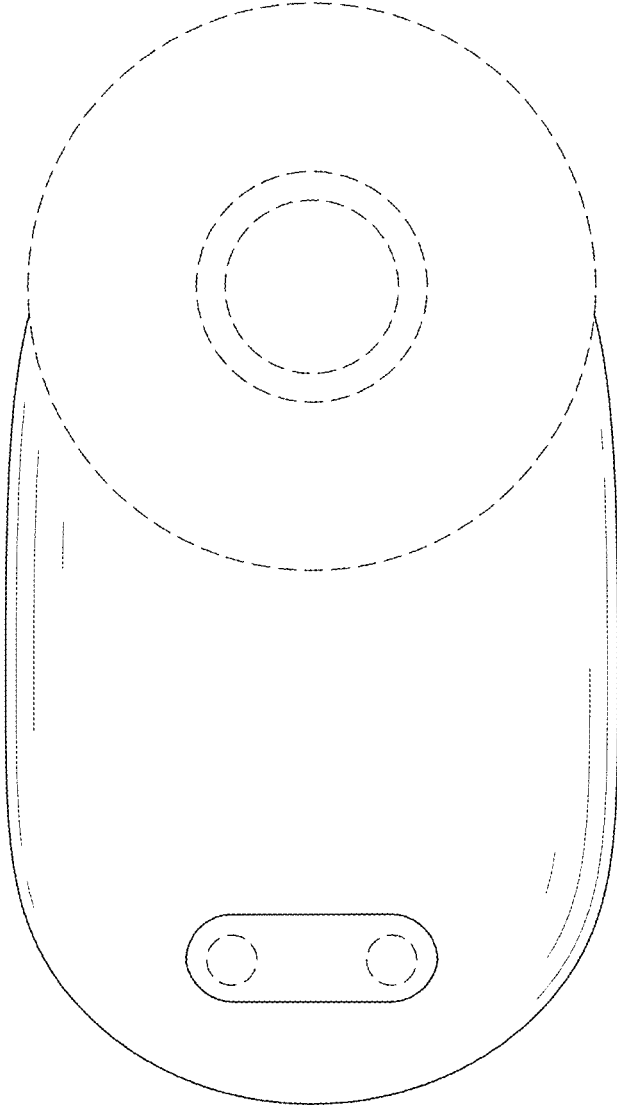


FIG. 3

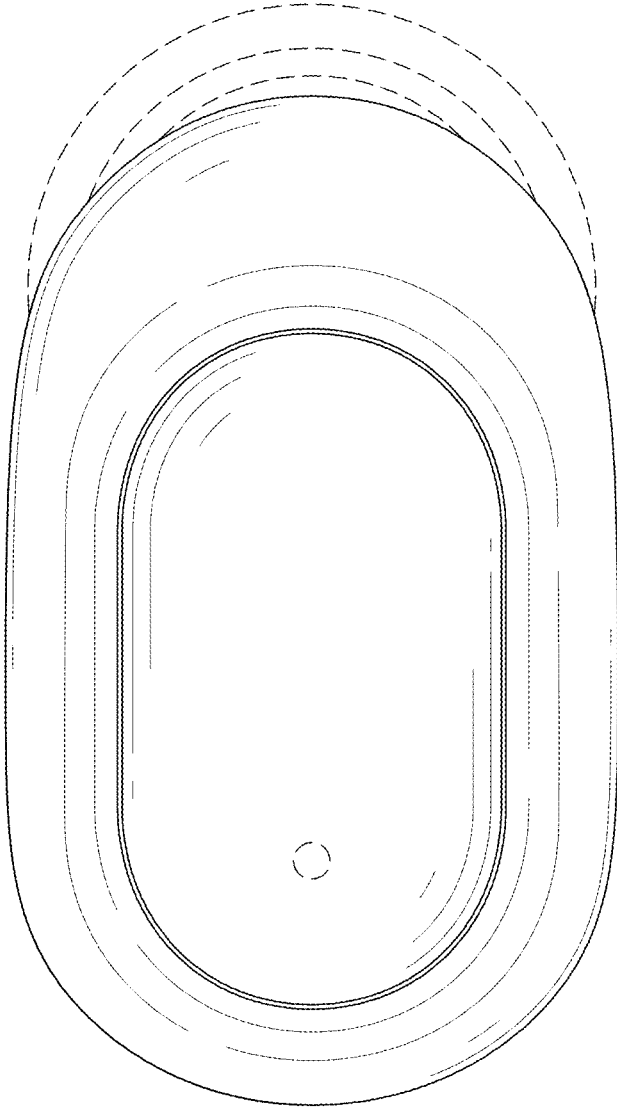


FIG. 4

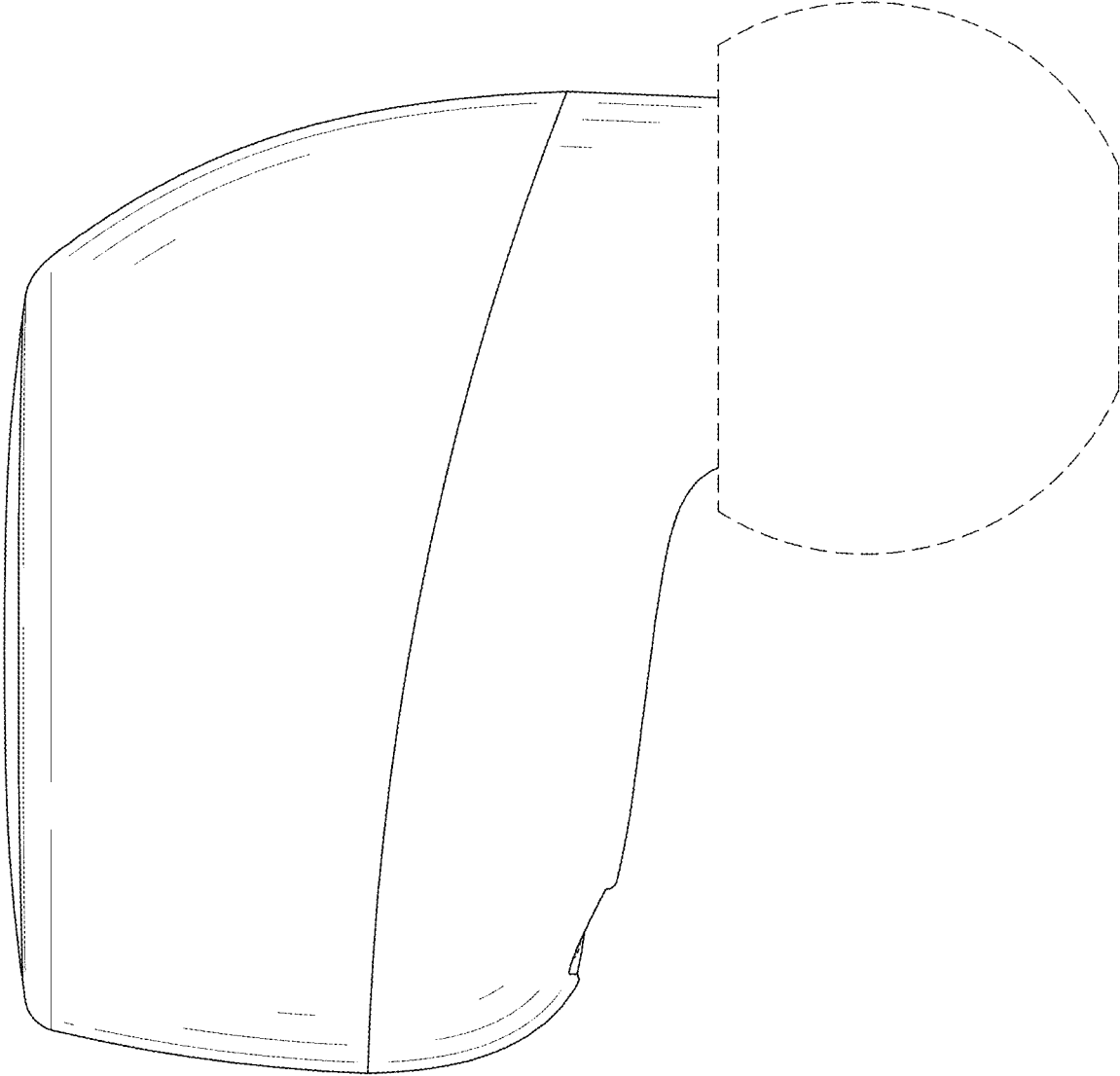


FIG. 5

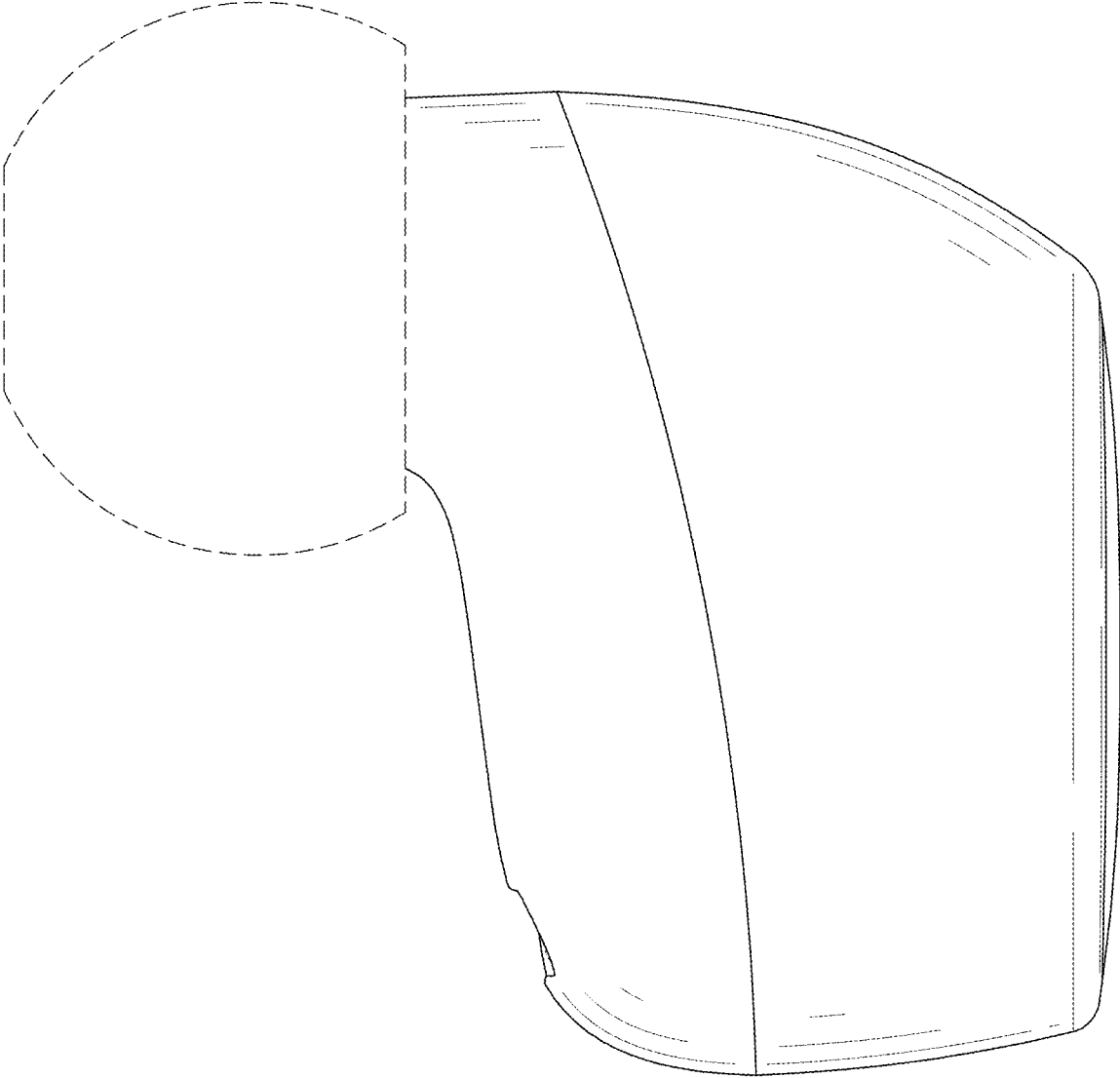


FIG. 6



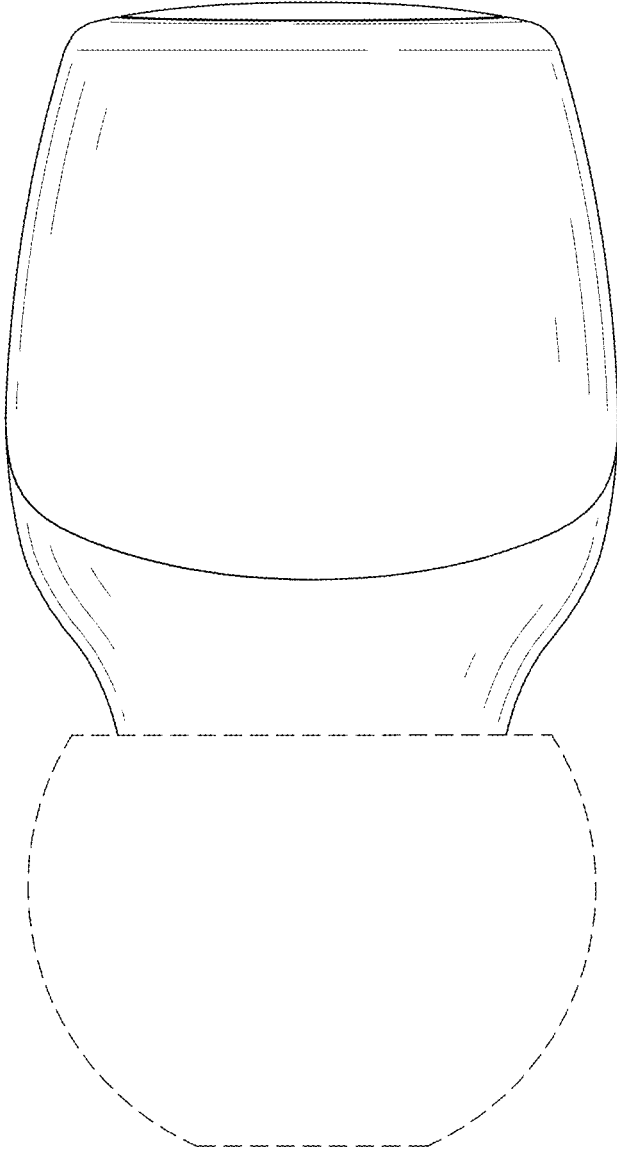


FIG. 7

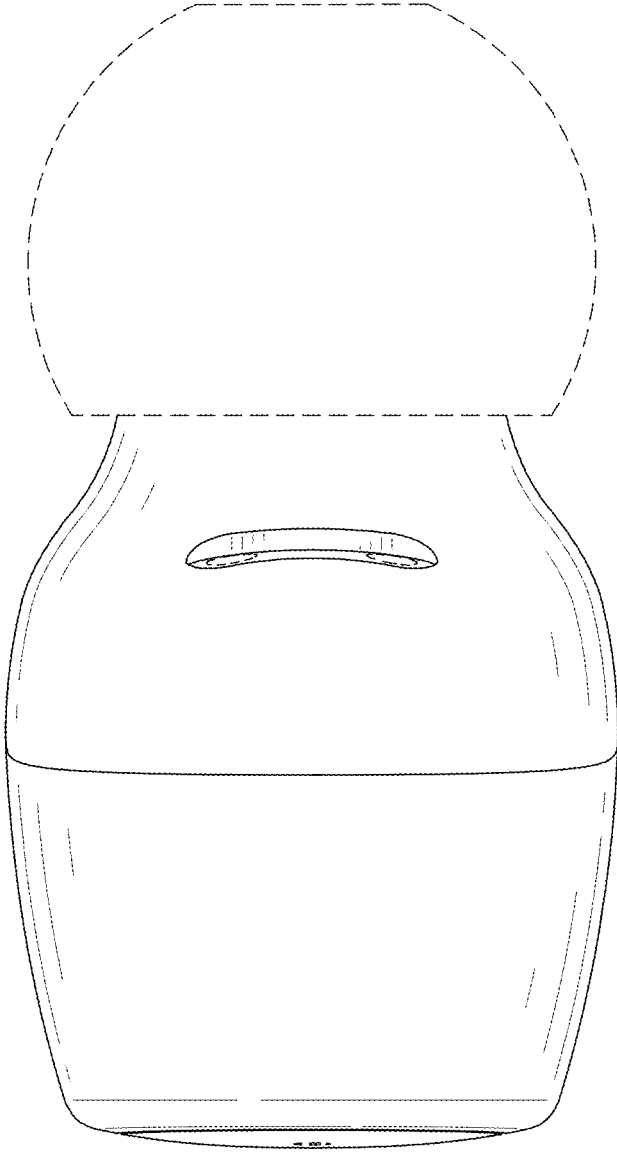


FIG. 8