



US00D379160S

United States Patent [19]
Johansson et al.

[11] **Patent Number:** **Des. 379,160**
[45] **Date of Patent:** ****May 13, 1997**

[54] **BUCKLE**
[75] Inventors: **Ronald C. Johansson**, Stillwater Township, Washington County; **Vaughn B. Grannis**, Inver Grove Heights; **Gerald M. Brostrom**, Burnsville, all of Minn.

4,559,678 12/1985 Birkenstock 24/324
4,812,064 3/1989 Hatakeyama et al. 24/303

FOREIGN PATENT DOCUMENTS

661416 7/1929 France 24/324
10730 8/1880 Germany 24/71 SK
39125 4/1887 Germany 24/71 SK

OTHER PUBLICATIONS

North Safety Equipment Product Literature for *RP-400 Respirator Selection Guide* (1990).

Primary Examiner—Ralf Seifert
Attorney, Agent, or Firm—Gary L. Griswold; Walter N. Kirn; Karl G. Hanson

[73] Assignee: **Minnesota Mining and Manufacturing Company**, St. Paul, Minn.

[**] Term: **14 Years**

[21] Appl. No.: **42,389**

[22] Filed: **Aug. 9, 1995**

[51] **LOC (6) Cl.** **02-07**

[52] **U.S. Cl.** **D11/216**

[58] **Field of Search** D11/200, 201, D11/216; 24/311, 313, 315, 322, 323, 324-325, 303, 132 R, 133, 170, 173-174, 191, 193, 198, 71 SK, 73

[57] **CLAIM**

The ornamental design for a buckle, as shown and described.

DESCRIPTION

FIG. 1 is a perspective view of a buckle showing my new design;

FIG. 2 is a right side view of the buckle of FIG. 1, the left side view being a mirror image thereof;

FIG. 3 is a top view thereof;

FIG. 4 is a bottom view thereof;

FIG. 5 is a front view thereof; and,

FIG. 6 is a rear view thereof.

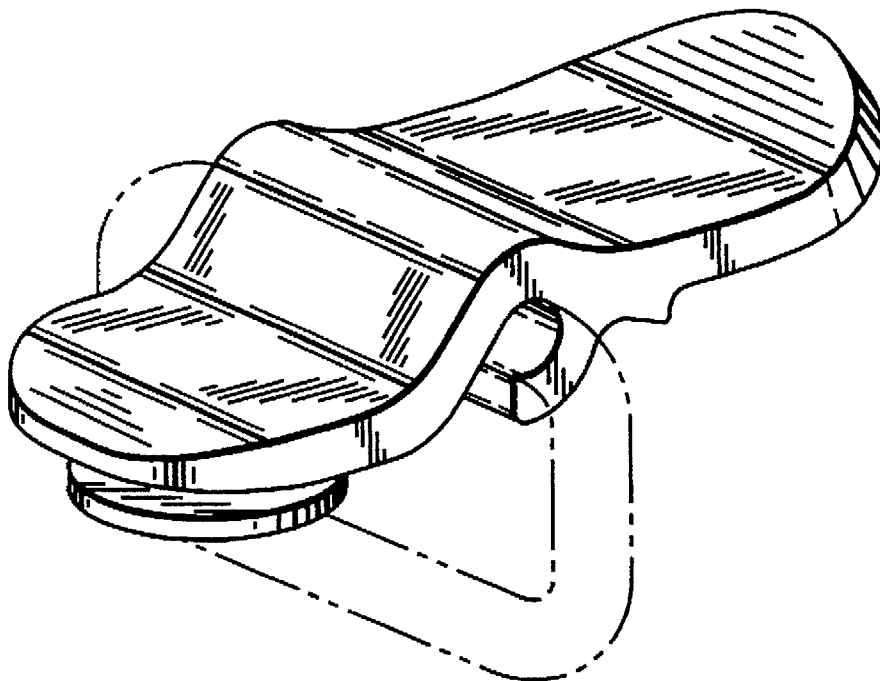
The broken line showing of a ring, shown in FIGS. 1-6, is for illustrative purposes only and forms no part of the claimed design.

[56] **References Cited**

U.S. PATENT DOCUMENTS

D. 103,176 2/1937 Knoll D11/216
352,532 11/1886 Fox et al. 24/71 SK
520,373 5/1894 McClure 24/198
3,127,650 4/1964 Seward 24/303
4,104,811 8/1978 Salomon 24/326
4,253,217 3/1981 Marzocchi 24/71 SK

1 Claim, 2 Drawing Sheets



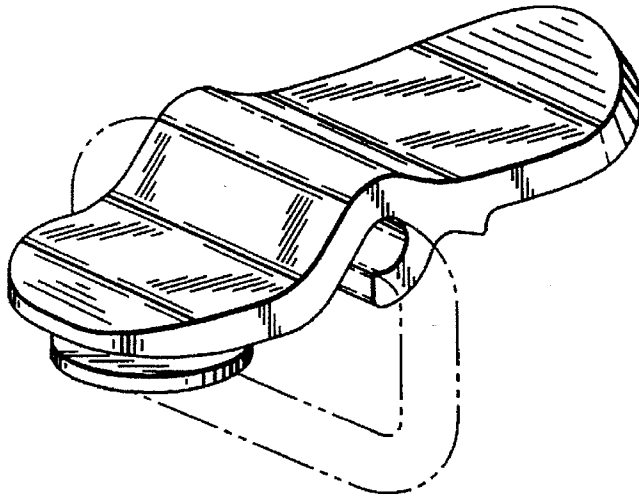


Fig. 1

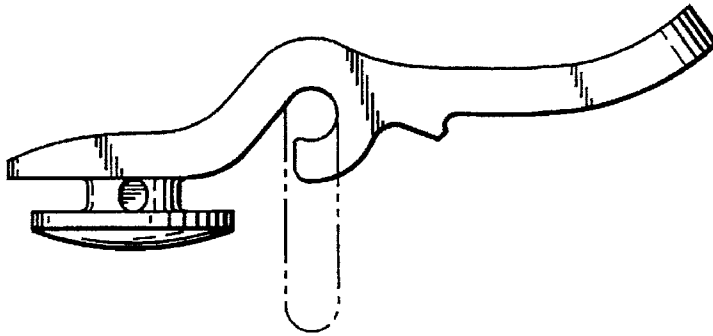


Fig. 2

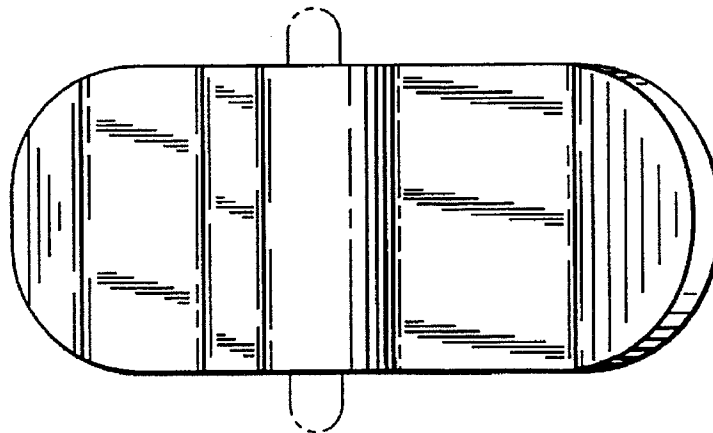


Fig. 3

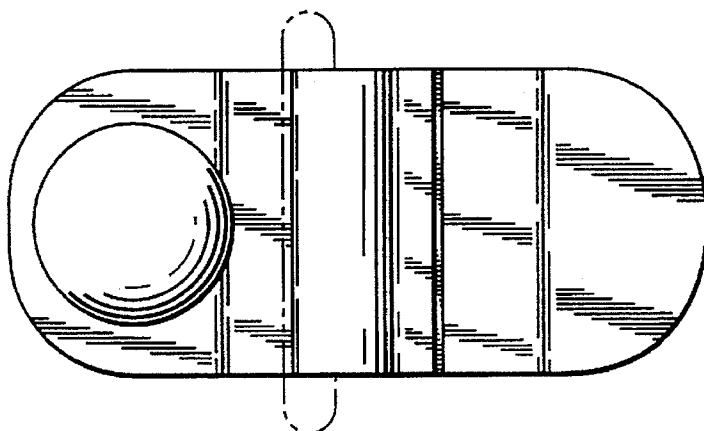


Fig. 4

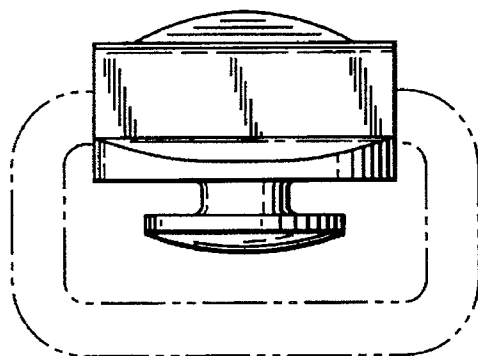


Fig. 5

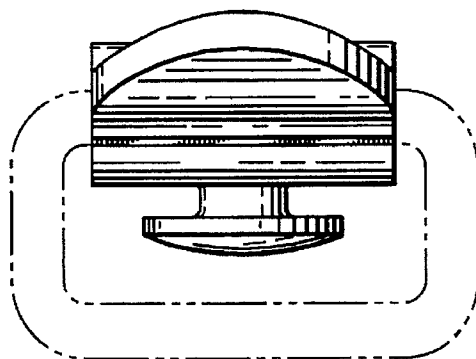


Fig. 6