



US00D883542S

(12) **United States Design Patent**
Hu

(10) **Patent No.:** **US D883,542 S**

(45) **Date of Patent:** **** May 5, 2020**

(54) **WATERPROOF LED LIGHT**

(71) Applicant: **Zhishu Hu**, Hubei (CN)

(72) Inventor: **Zhishu Hu**, Hubei (CN)

(**) Term: **15 Years**

(21) Appl. No.: **29/625,897**

(22) Filed: **Nov. 14, 2017**

(51) **LOC (12) Cl.** **26-02**

(52) **U.S. Cl.**
USPC **D26/37**

(58) **Field of Classification Search**
USPC D26/37-51
CPC F21L 2003/00; F21L 4/00; F21L 4/005;
F21L 4/02; F21L 4/025; F21L 4/027;
F21L 4/04; F21L 4/08; F21L 2005/00;
F21L 7/00; F21L 11/00; F21L 13/00;
F21L 13/04; F21L 13/08; F21L 14/02;
F21L 17/00; F21L 19/00; F21L 25/00

See application file for complete search history.

(56) **References Cited**

U.S. PATENT DOCUMENTS

D340,306	S *	10/1993	Friend	D26/47
D376,025	S *	11/1996	Lewis	D26/47
D397,233	S *	8/1998	Bassford	D10/104.1
6,288,498	B1 *	9/2001	Cheng	A44C 15/0015
					315/185 S
D506,562	S *	6/2005	Tonneson	D26/47
D577,848	S *	9/2008	Convey	D26/73
D611,649	S *	3/2010	Chen	D26/128
D765,294	S *	8/2016	Li	D26/37
D840,070	S *	2/2019	Cramer	D26/37
2006/0176703	A1 *	8/2006	Cayton	362/350

OTHER PUBLICATIONS

Amoker 4X LED Waterproof Light Jun. 27, 2015 [online] [site visited Nov. 25, 2019], Available from Internet <URL: https://www.youtube.com/watch?v=Rhghj_-IzIA> 2 pages (Year: 2015).*

* cited by examiner

Primary Examiner — Lakiya G Rogers

Assistant Examiner — Carissa C Fitts

(74) *Attorney, Agent, or Firm* — Law Offices of Steven W. Weinrieb

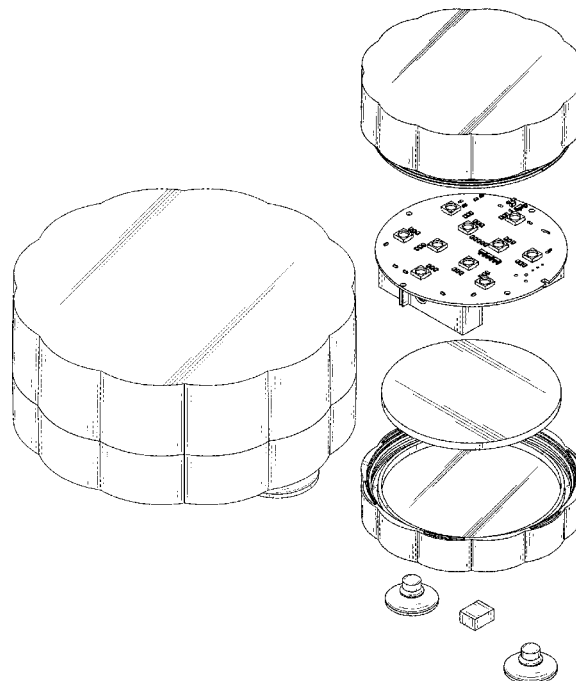
(57) **CLAIM**

The ornamental design for a waterproof LED light, as shown and described.

DESCRIPTION

FIG. 1 is a front right side top perspective view of the waterproof LED light showing my new design; FIG. 2 is an inverted front right side bottom perspective view thereof; FIG. 3 is a top plan view thereof; FIG. 4 is a bottom plan view thereof. FIG. 5 is a right side elevational view thereof; FIG. 6 is a left side elevational view thereof; FIG. 7 is an inverted rear elevational view thereof; FIG. 8 is a front elevational view thereof; FIG. 9 is an exploded rear bottom perspective view thereof; and, FIG. 10 is an exploded front top perspective view thereof.

1 Claim, 10 Drawing Sheets



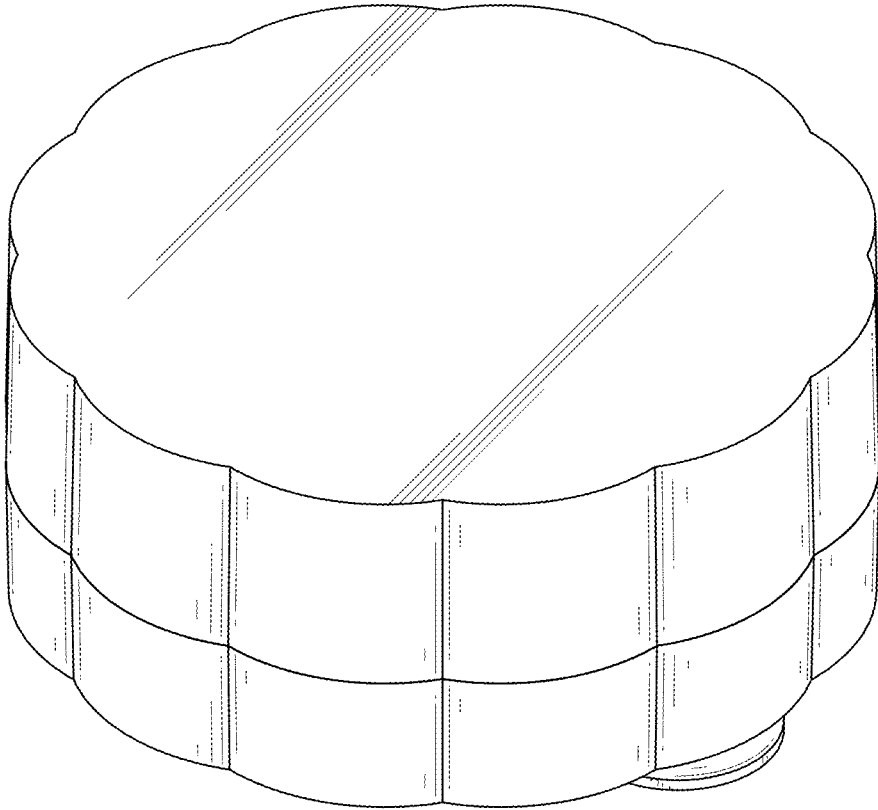


FIG. 1

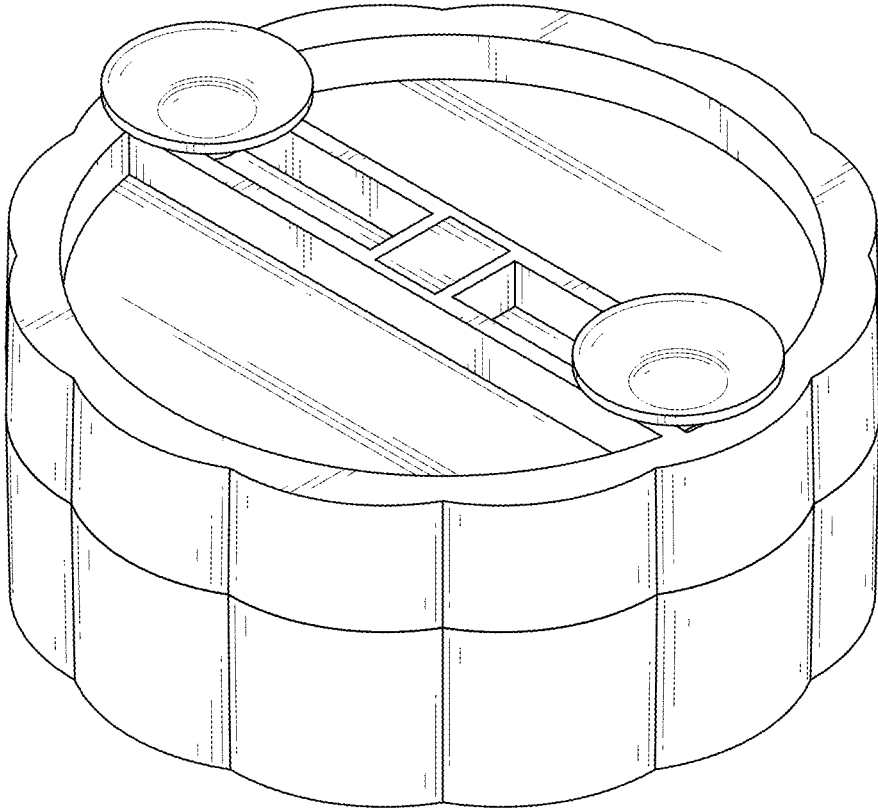


FIG. 2

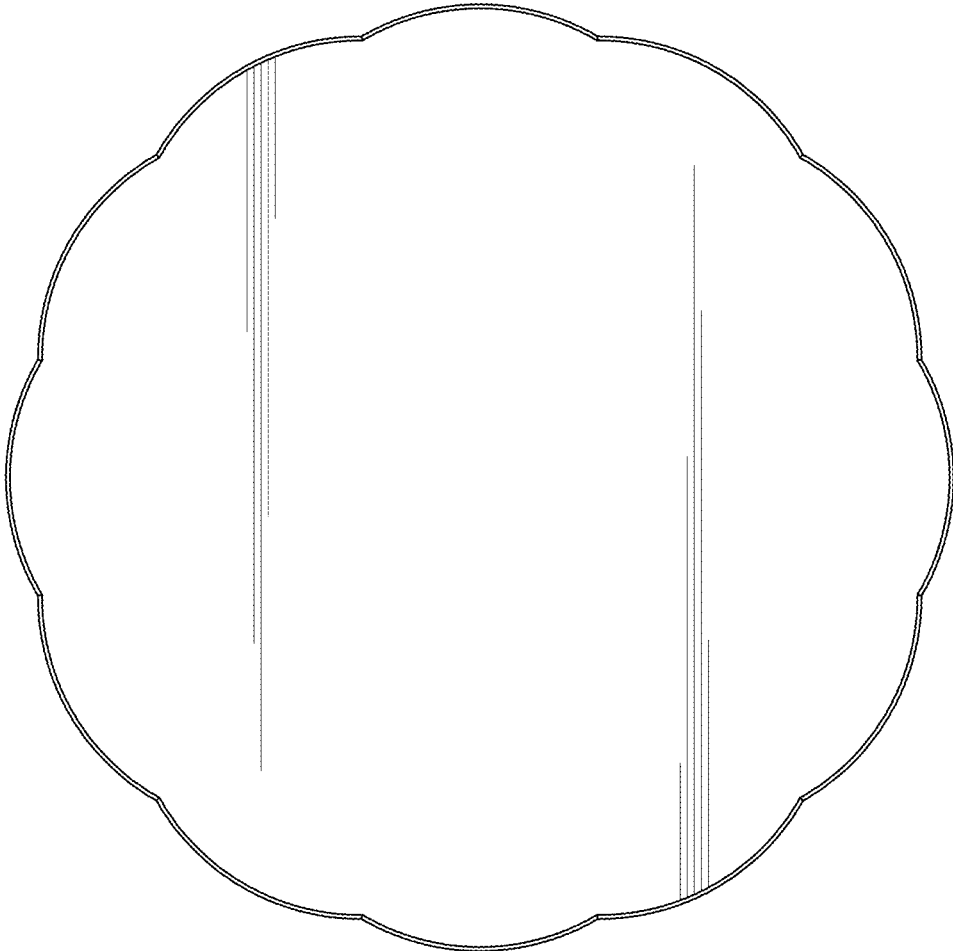


FIG. 3

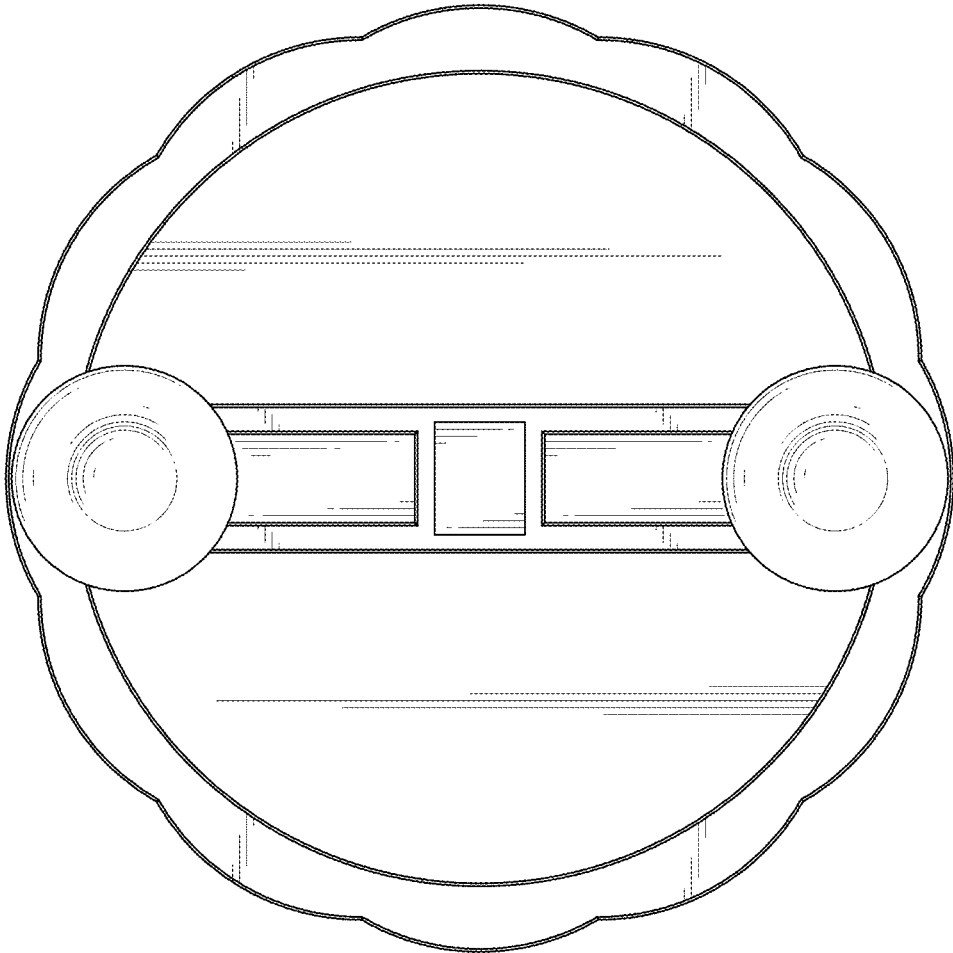


FIG. 4

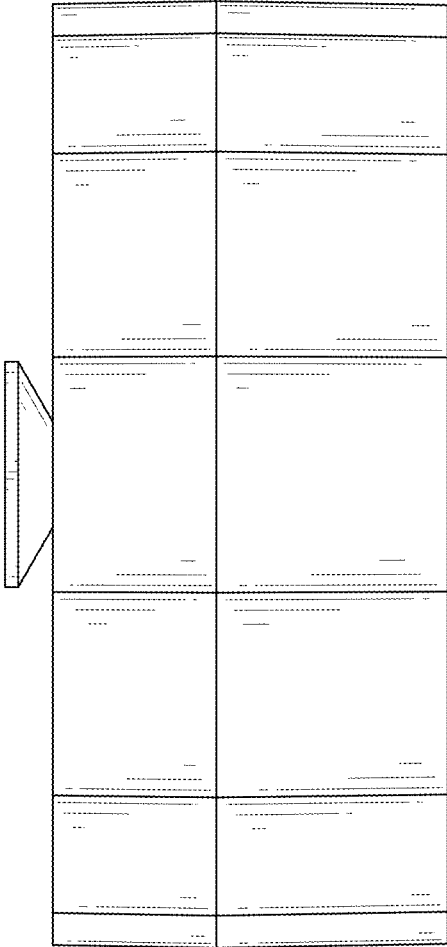


FIG. 5

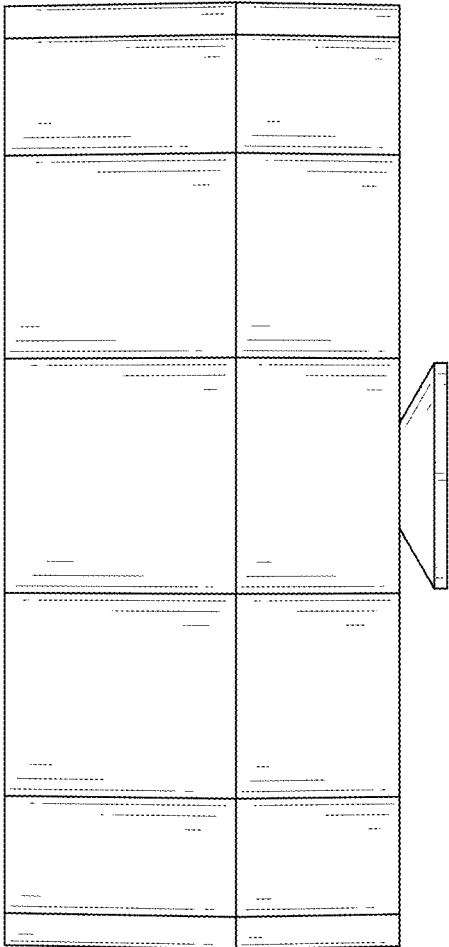


FIG. 6

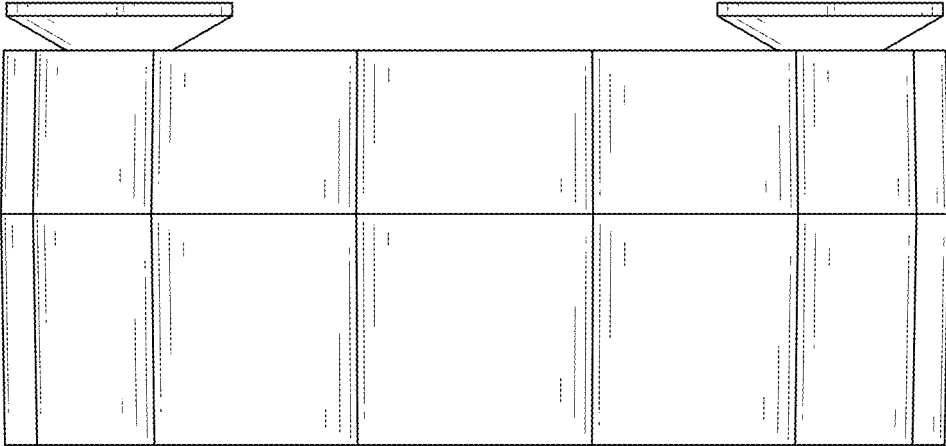


FIG. 7

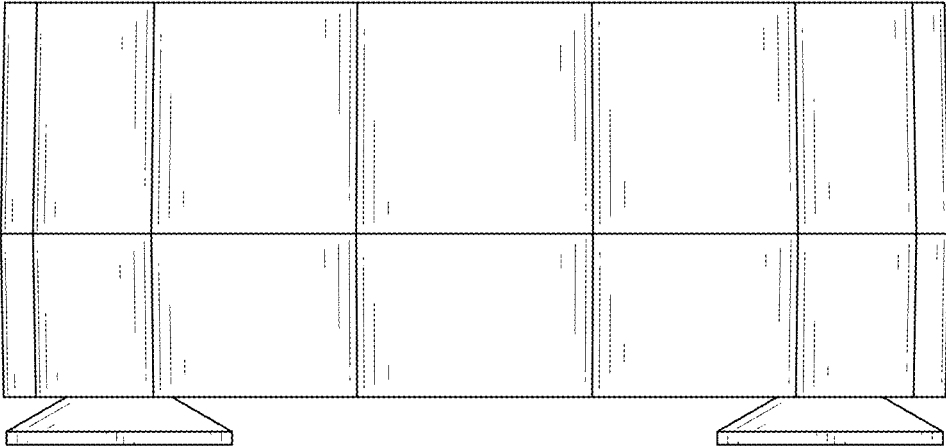


FIG. 8

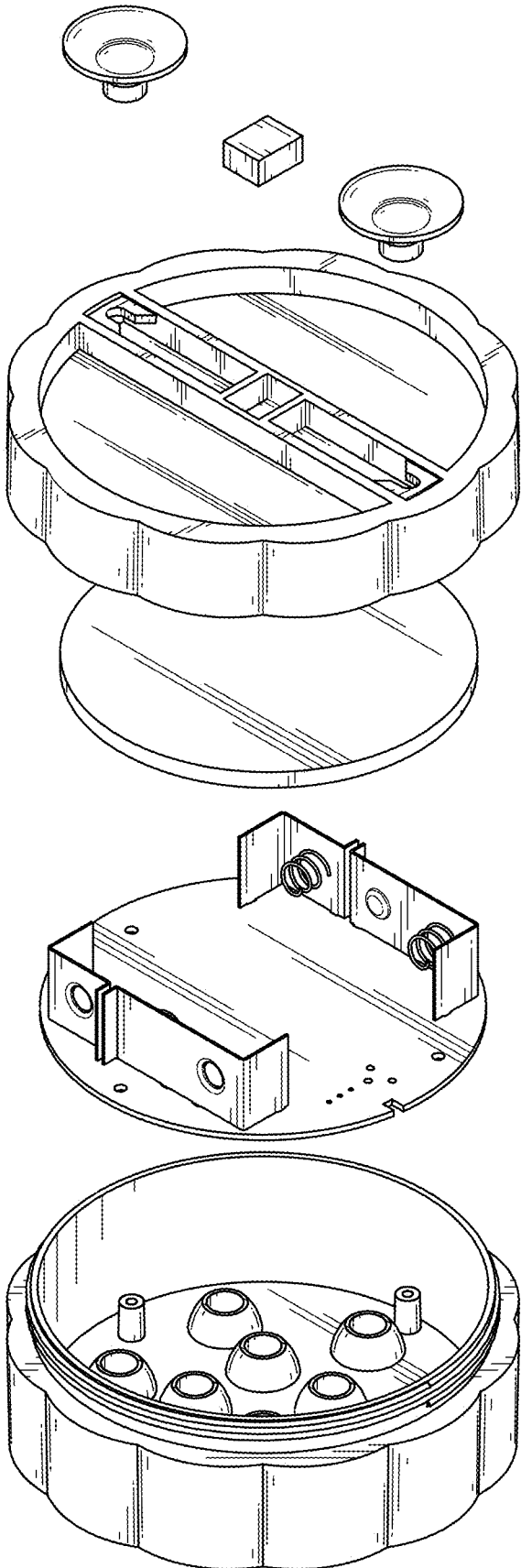


FIG. 9

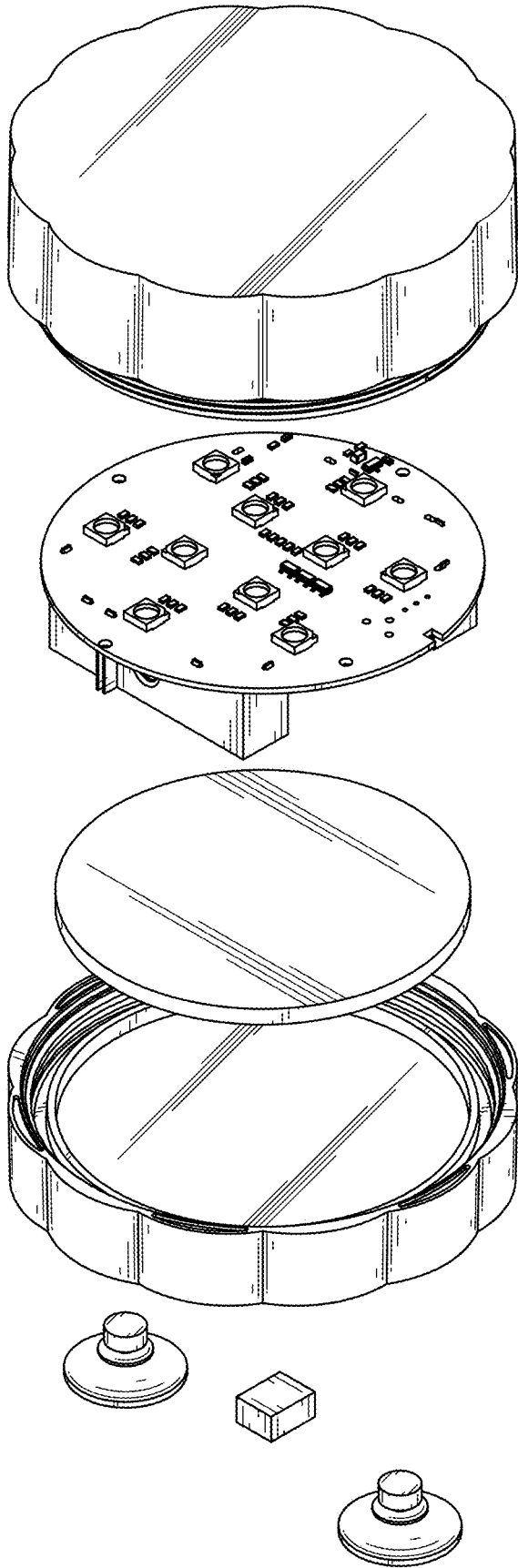


FIG. 10