



US0D1018334S

(12) **United States Design Patent**
Ai et al.

(10) **Patent No.:** **US D1,018,334 S**

(45) **Date of Patent:** **** Mar. 19, 2024**

- (54) **FOOD THERMOMETER**
- (71) Applicant: **Shenzhen Hongkang International Electronic Technology Co., Ltd.,**
Shenzhen (CN)
- (72) Inventors: **Qilong Ai, Shenzhen (CN); Jieyuan Tan, Shenzhen (CN)**
- (73) Assignee: **Shenzhen Hongkang International Electronic Technology Co., Ltd.,**
Shenzhen (CN)

D847,006 S *	4/2019	Hu	D10/57
D899,277 S *	10/2020	Wang	D10/57
D921,501 S *	6/2021	Wang	D10/57
D927,997 S *	8/2021	Yu	D10/57
D929,876 S *	9/2021	Yu	D10/52
D942,872 S *	2/2022	Zhang	D10/53
D953,898 S *	6/2022	Zuo	D10/57
D953,899 S *	6/2022	Tan	D10/57
11,366,018 B1 *	6/2022	Tan	G01K 1/024
D975,555 S *	1/2023	AI	D10/57
11,709,102 B1 *	7/2023	Ai	G01K 1/026 702/130

(**) Term: **15 Years**

(21) Appl. No.: **29/854,795**

(22) Filed: **Sep. 28, 2022**

(30) **Foreign Application Priority Data**

Jul. 28, 2022 (CN) 202230486492.5

(51) **LOC (14) Cl.** **10-04**

(52) **U.S. Cl.**
USPC **D10/57**

(58) **Field of Classification Search**
USPC D10/52, 53, 56, 57, 60
CPC G01K 2207/06; G01K 2207/02
See application file for complete search history.

(56) **References Cited**

U.S. PATENT DOCUMENTS

D579,800 S *	11/2008	Mobley	D10/57
D720,243 S *	12/2014	Elrod	D10/52
D788,605 S *	6/2017	Rouillard	D10/57
D839,756 S *	2/2019	Pang	D10/52
D845,154 S *	4/2019	Yu	D10/57

* cited by examiner

Primary Examiner — George D. Kirschbaum

Assistant Examiner — Lillian Windham

(74) *Attorney, Agent, or Firm* — Nitin Kaushik

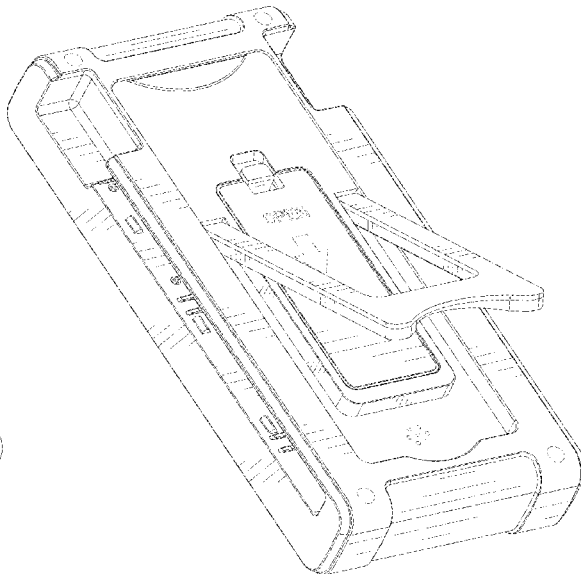
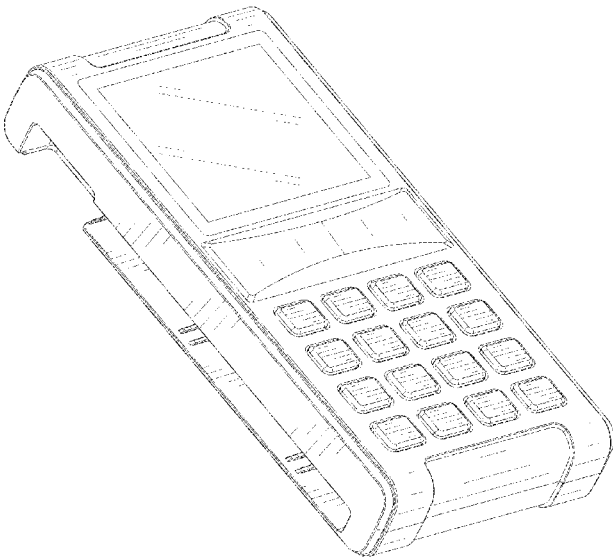
(57) **CLAIM**

The ornamental design for a food thermometer, as shown and described.

DESCRIPTION

FIG. 1 is a front perspective view of a food thermometer, showing our new design;
 FIG. 2 is a front view thereof;
 FIG. 3 is a rear view thereof;
 FIG. 4 is a left side view thereof;
 FIG. 5 is a right side view thereof;
 FIG. 6 is a top view thereof;
 FIG. 7 is a bottom view thereof; and,
 FIG. 8 is a rear perspective view shown in an alternate configuration of use.
 The broken lines in the drawings illustrate the portions of the food thermometer, which form no part of the claimed design.

1 Claim, 8 Drawing Sheets



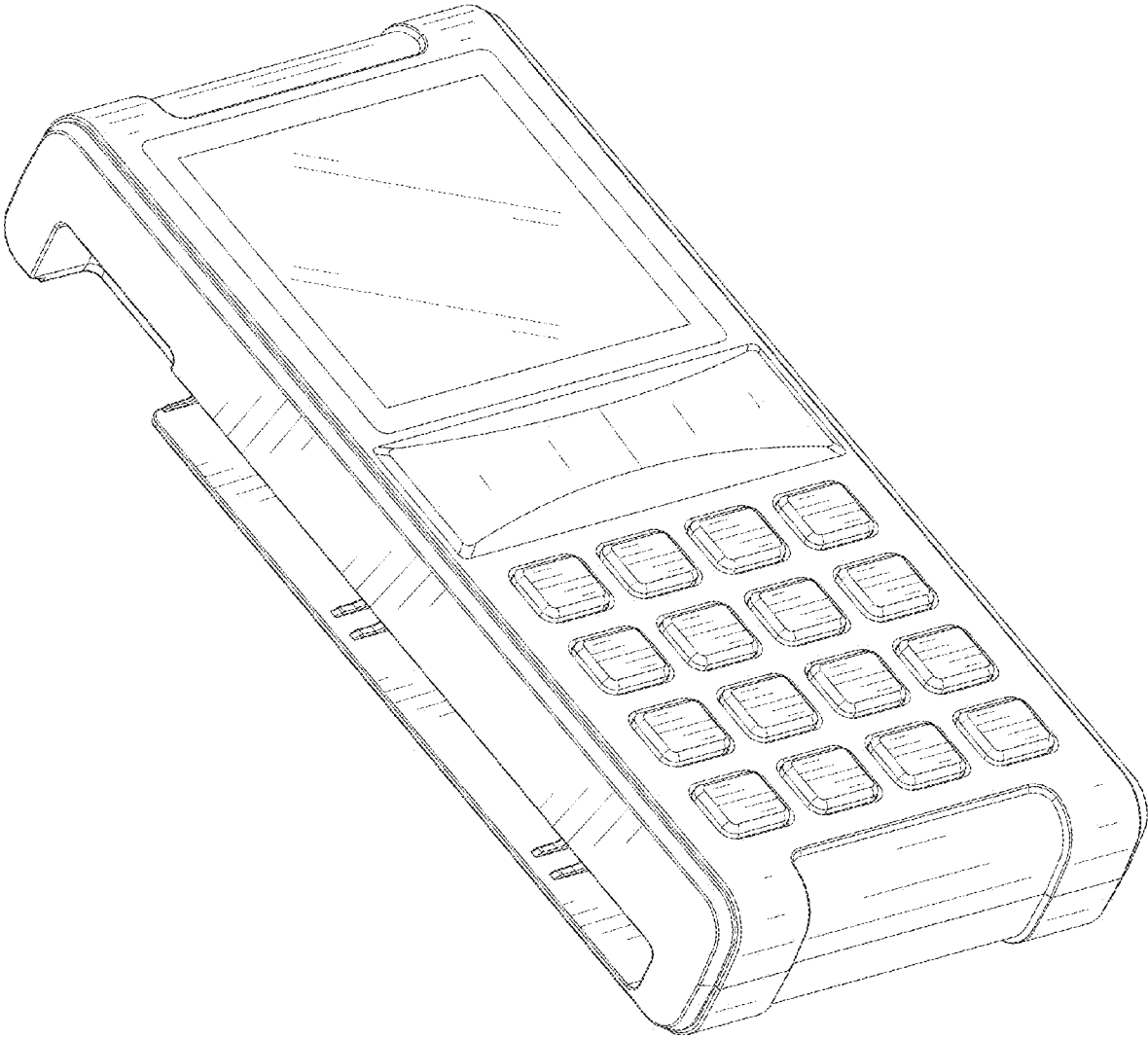


FIG. 1

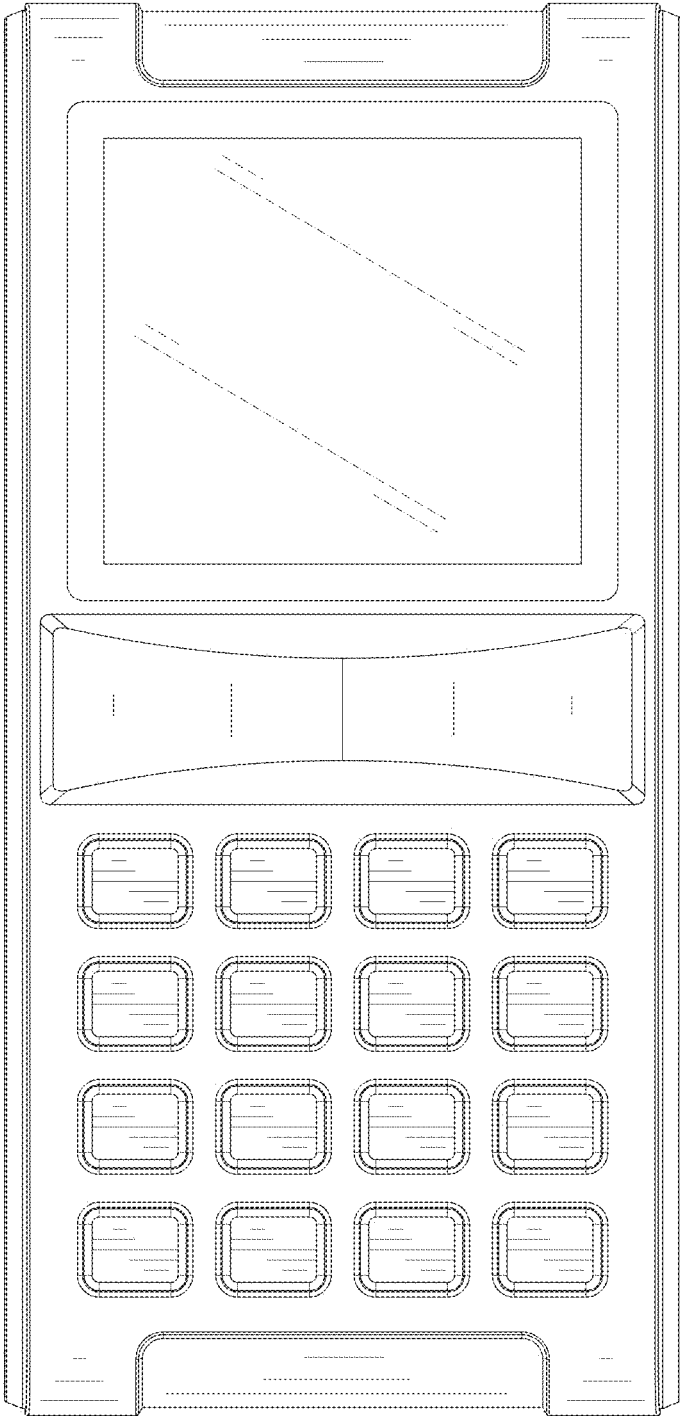


FIG. 2

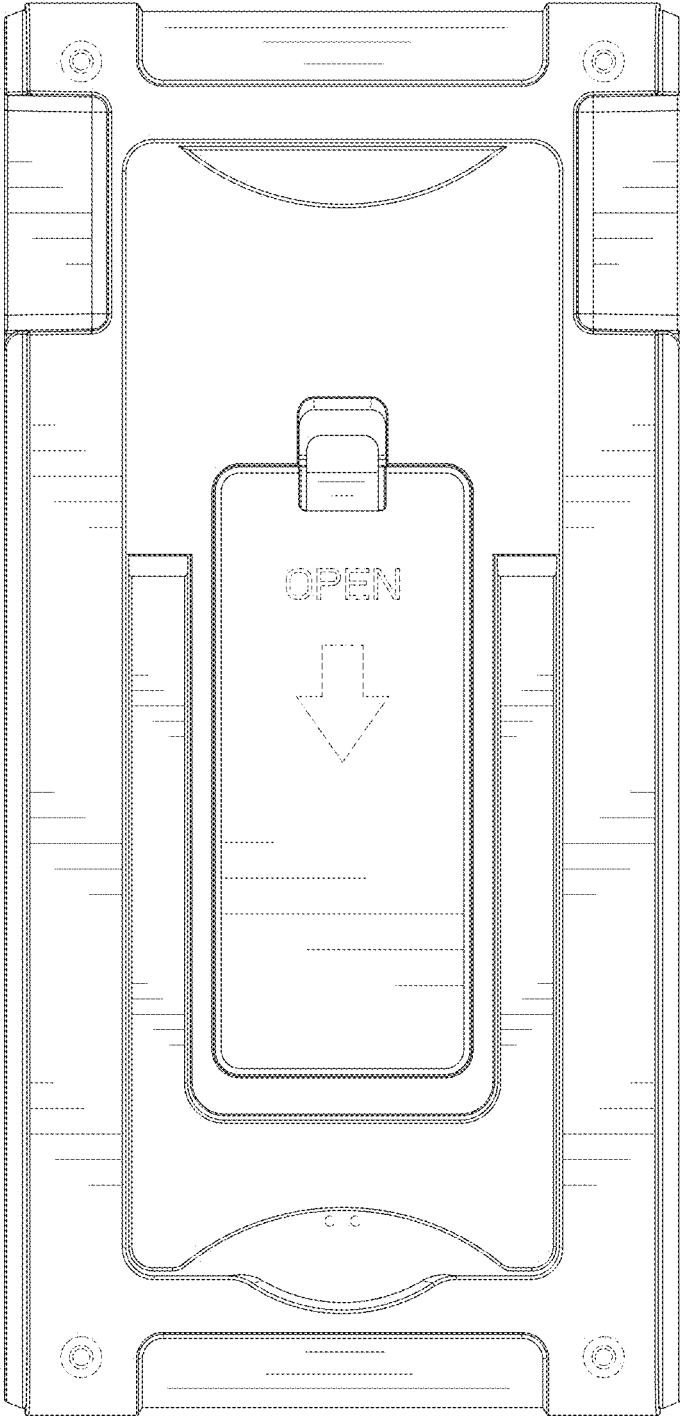


FIG. 3

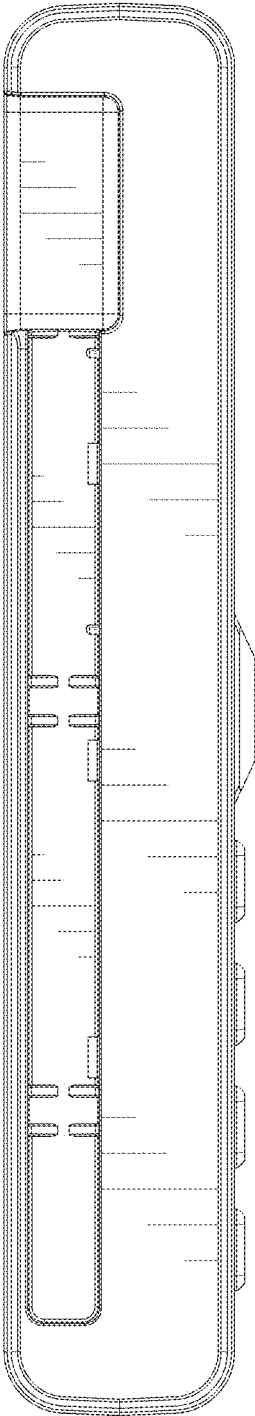


FIG. 4

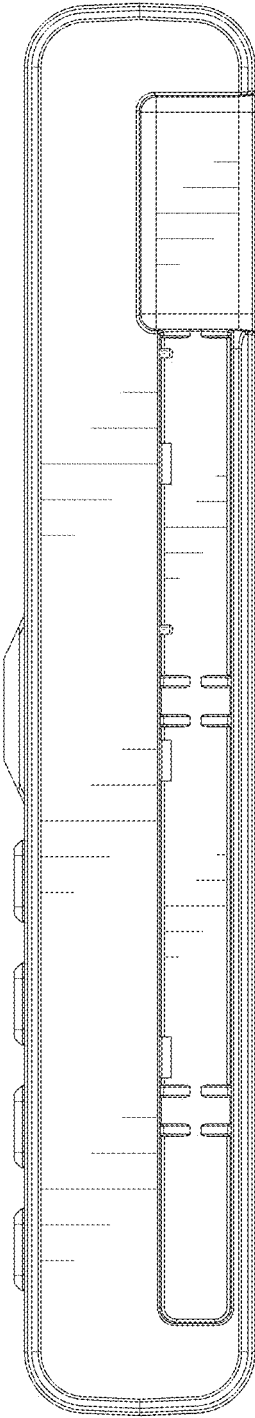


FIG. 5

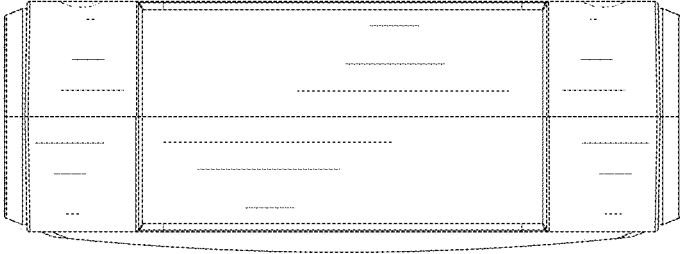


FIG. 6

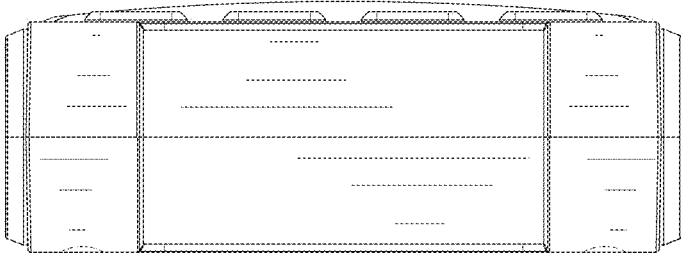


FIG. 7

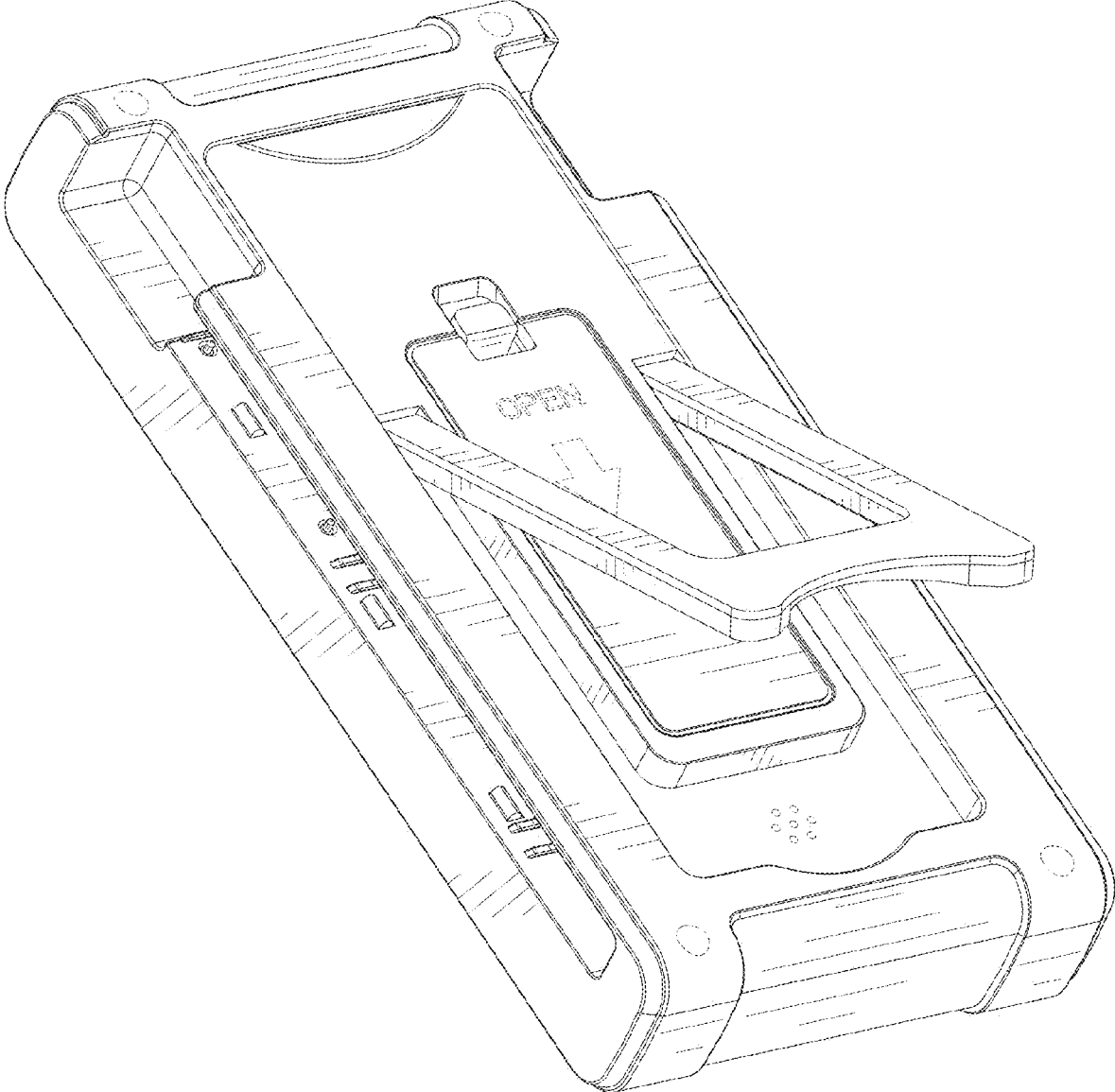


FIG. 8