

[54] BEVERAGE GLASS OR SIMILAR ARTICLE

[75] Inventors: Theodore H. Harbaugh; Melvin B. Lee, both of Toledo, Ohio

[73] Assignee: Owens-Illinois, Inc., Toledo, Ohio

[\*\*] Term: 14 Years

[21] Appl. No.: 644,993

[22] Filed: Dec. 29, 1975

[51] Int. Cl. .... D7-01

[52] U.S. Cl. .... D7/14

[58] Field of Search ..... D7/3, 6-15

[56] References Cited

U.S. PATENT DOCUMENTS

3,495,736	2/1970	Ragetti .....	D7/14 X
D. 82,954	12/1930	Payne, Jr. ....	D7/15
D. 94,100	12/1934	Spear .....	D7/14
D. 110,278	6/1938	Fuerst .....	D7/15
D. 115,496	7/1939	Hansen .....	D7/15
D. 165,249	11/1951	Soyster .....	D7/13 X
D. 178,499	8/1956	Diebenkorn .....	D7/14
D. 224,798	9/1972	Benes .....	D7/13

OTHER PUBLICATIONS

Libbey Glassware Cat. 7-73, Rec'd. 10-15-73, p. 8, "Malibu," Pattern in bottom right.

Primary Examiner—Winifred E. Herrmann  
Attorney, Agent, or Firm—Richard B. Dence

[57] CLAIM

The ornamental design for a beverage glass or similar article, as shown and described.

DESCRIPTION

FIG. 1 is an elevational view of a beverage glass or similar article showing my new and ornamental design in the size and proportions of a tumbler.

FIG. 2 is a central vertical sectional view thereof.

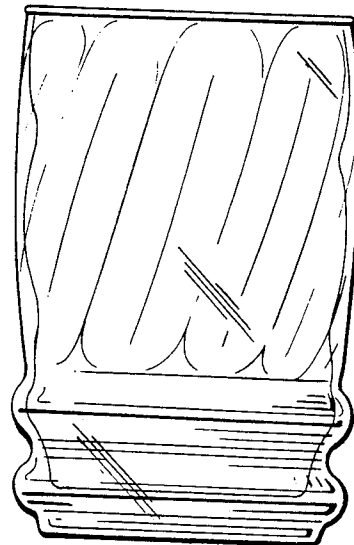
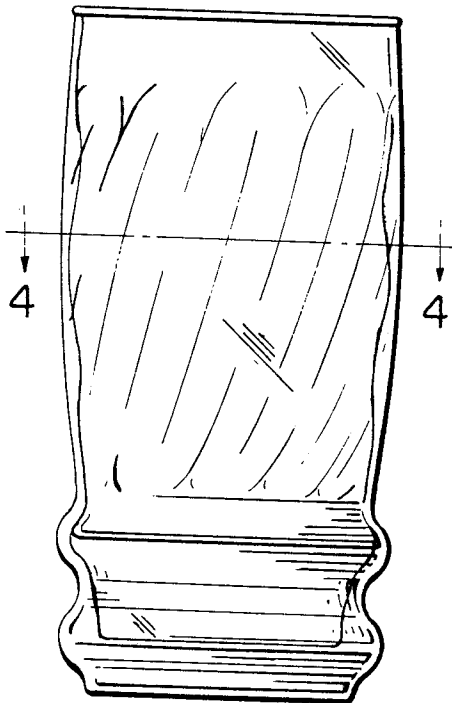
FIG. 3 is a top plan view thereof.

FIG. 4 is a sectional view taken along and in the direction of sectional plane 4-4 in FIG. 1.

FIG. 5 is a bottom view thereof.

FIG. 6 is an elevational view of my new and ornamental design in the size and proportions of a water glass.

FIG. 7 is an elevational view of my new and ornamental design in the size and proportions of a juice glass.



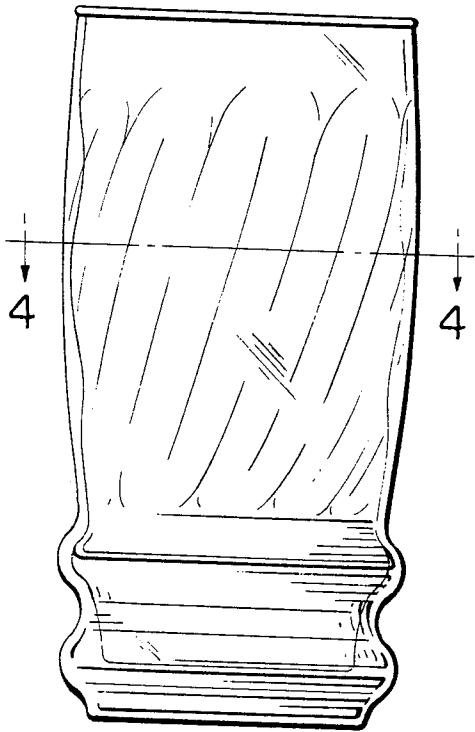


FIG. 1

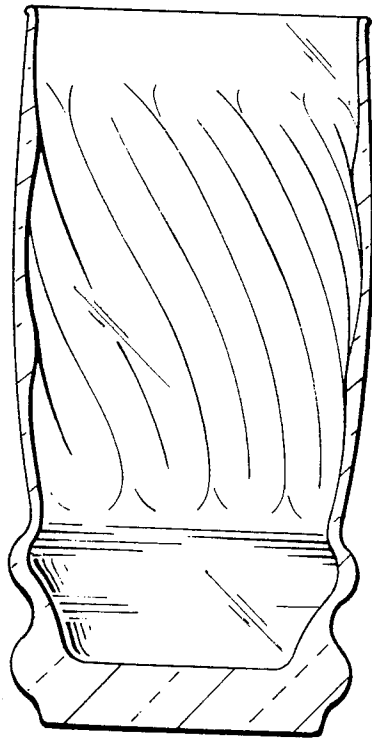


FIG. 2

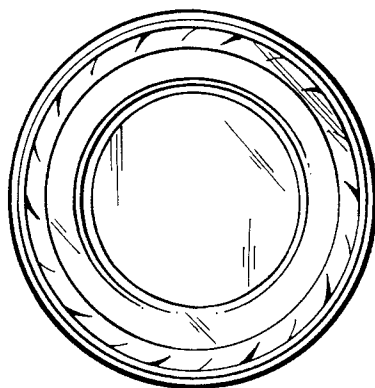


FIG. 3

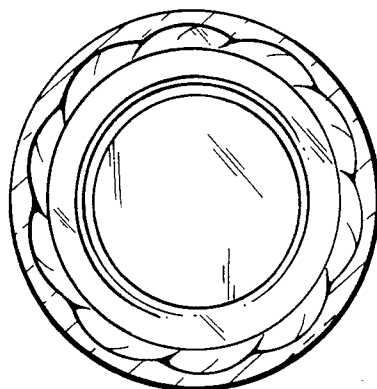


FIG. 4

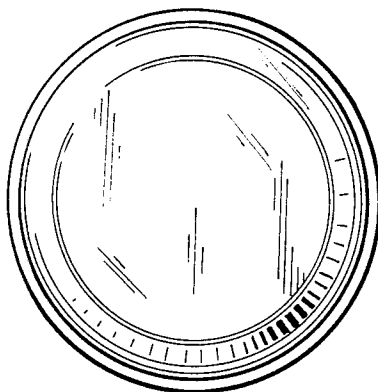


FIG. 5

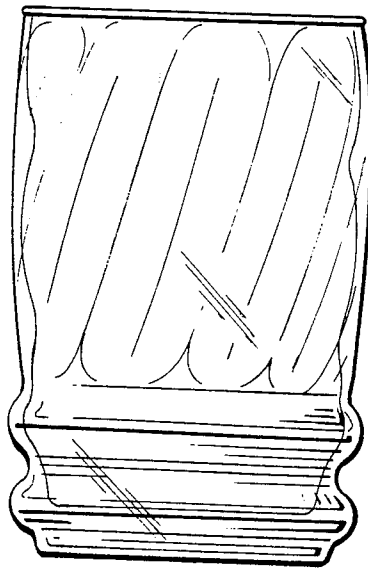


FIG. 6

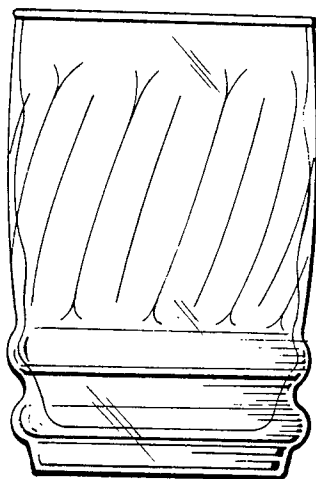


FIG. 7