



US00D928367S

(12) **United States Design Patent**
Thomas

(10) **Patent No.:** **US D928,367 S**

(45) **Date of Patent:** **** Aug. 17, 2021**

(54) **TAIL LAMP**

(71) Applicant: **JAGUAR LAND ROVER LIMITED,**
Coventry (GB)

(72) Inventor: **Gareth Thomas,** Coventry (GB)

(73) Assignee: **JAGUAR LAND ROVER LIMITED,**
Coventry (GB)

(**) Term: **15 Years**

(21) Appl. No.: **29/774,184**

(22) Filed: **Mar. 15, 2021**

Related U.S. Application Data

(62) Division of application No. 29/691,494, filed on May 16, 2019, now Pat. No. Des. 916,335.

(51) **LOC (13) Cl.** **26-06**

(52) **U.S. Cl.**
USPC **D26/28**

(58) **Field of Classification Search**
USPC D26/28–36, 139
CPC F21S 48/00; F21S 48/10; F21S 48/115;
F21S 48/225; F21S 48/1233; F21S
48/1266; F21S 48/1388; F21S 48/2268;
F21V 5/00; F21V 21/04; F21V 29/004;
B60Q 9/13; B60Q 9/135; B60Q 9/1375
See application file for complete search history.

(56) **References Cited**

U.S. PATENT DOCUMENTS

D688,824 S * 8/2013 Binder D26/28
D710,522 S * 8/2014 Kwon D26/28

D715,978 S * 10/2014 Loeb D26/28
D721,840 S * 1/2015 Futschik D26/28
D728,134 S * 4/2015 Bieling D26/28
D812,791 S * 3/2018 Wu D26/28

* cited by examiner

Primary Examiner — Marcus A Jackson

(74) *Attorney, Agent, or Firm* — Reising Ethington P.C.

(57) **CLAIM**

The ornamental design for a tail lamp, as shown and described.

DESCRIPTION

FIG. 1 is a front left perspective view of a tail lamp of a vehicle;

FIG. 2 is a rear right perspective view thereof;

FIG. 3 is a front right perspective view thereof;

FIG. 4 is a rear left perspective view thereof;

FIG. 5 is a front view thereof;

FIG. 6 is a rear view thereof;

FIG. 7 is a left side view thereof;

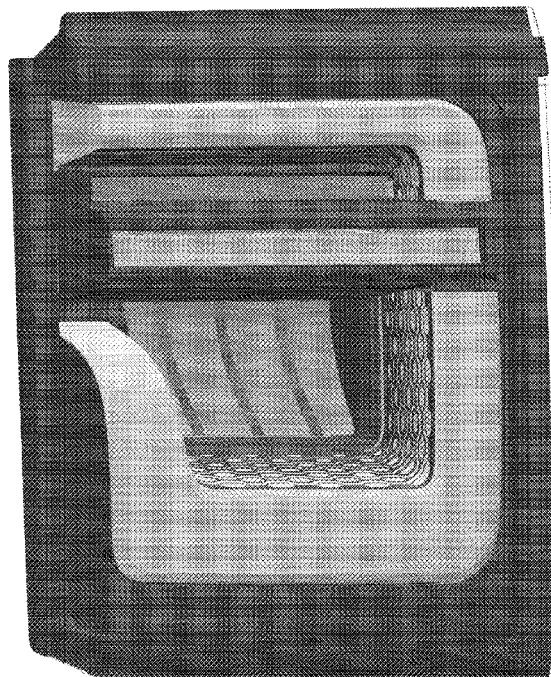
FIG. 8 is a right side view thereof;

FIG. 9 is a top view thereof;

FIG. 10 is a bottom view thereof; and,

FIG. 11 is another front view of the tail lamp, but with the tail lamp mounted on a vehicle, and the rest of the vehicle shown in de-emphasized and half-tone portions so as to illustrate environmental structure. These portions form no part of the claimed design. More particularly, in FIG. 11, the tail lamp is shown within a broken line, and the elements shown outside the broken line form no part of the claimed design, but are instead included to show environmental aspects thereof.

1 Claim, 11 Drawing Sheets



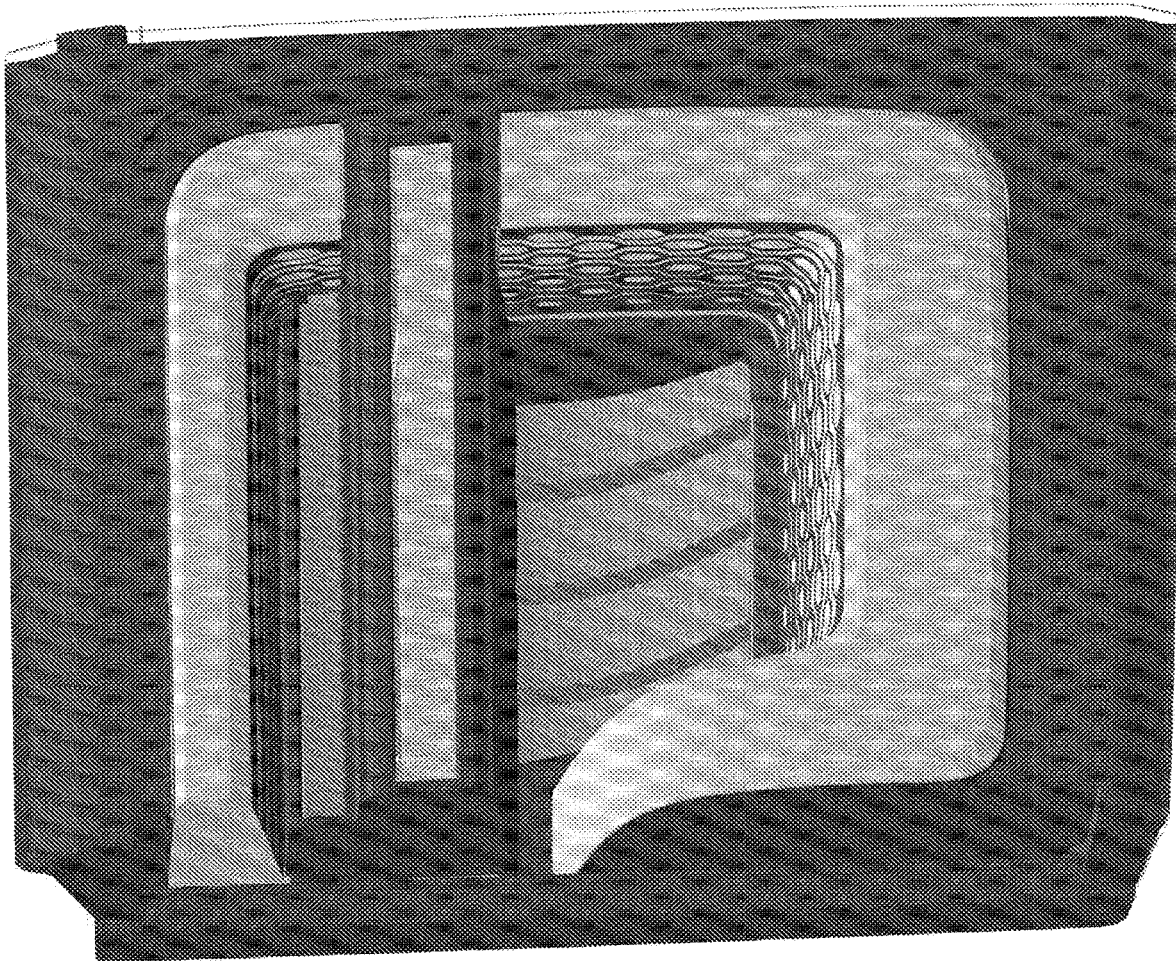


FIG. 1

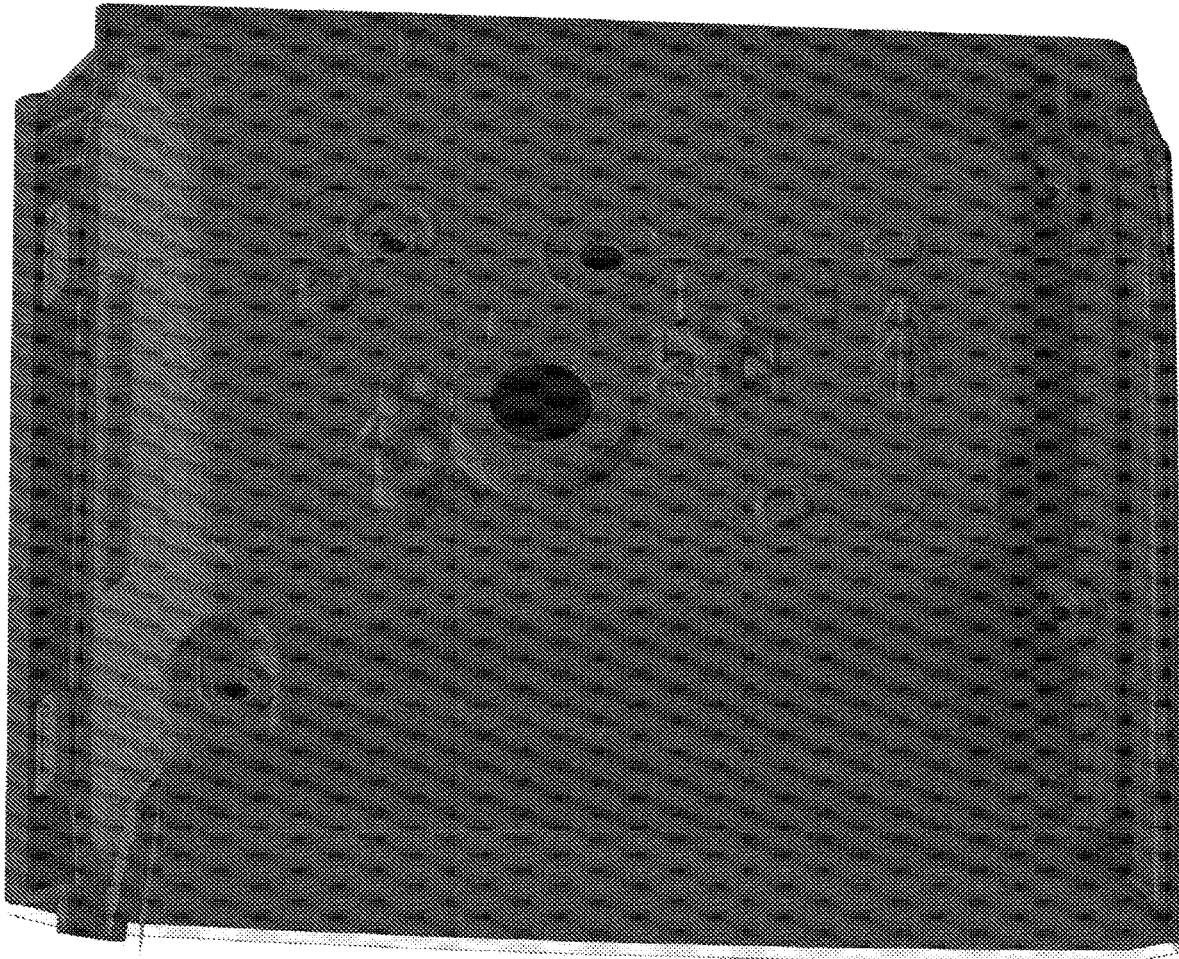


FIG. 2

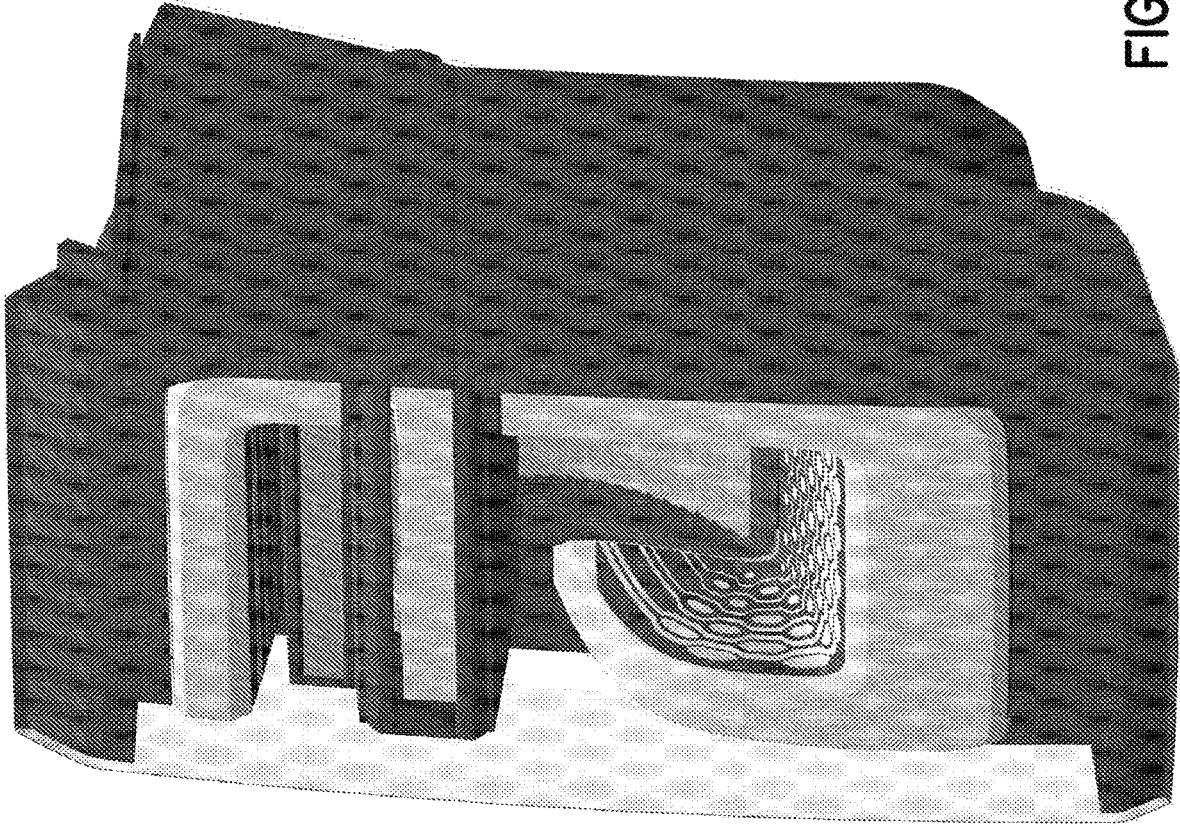


FIG. 3

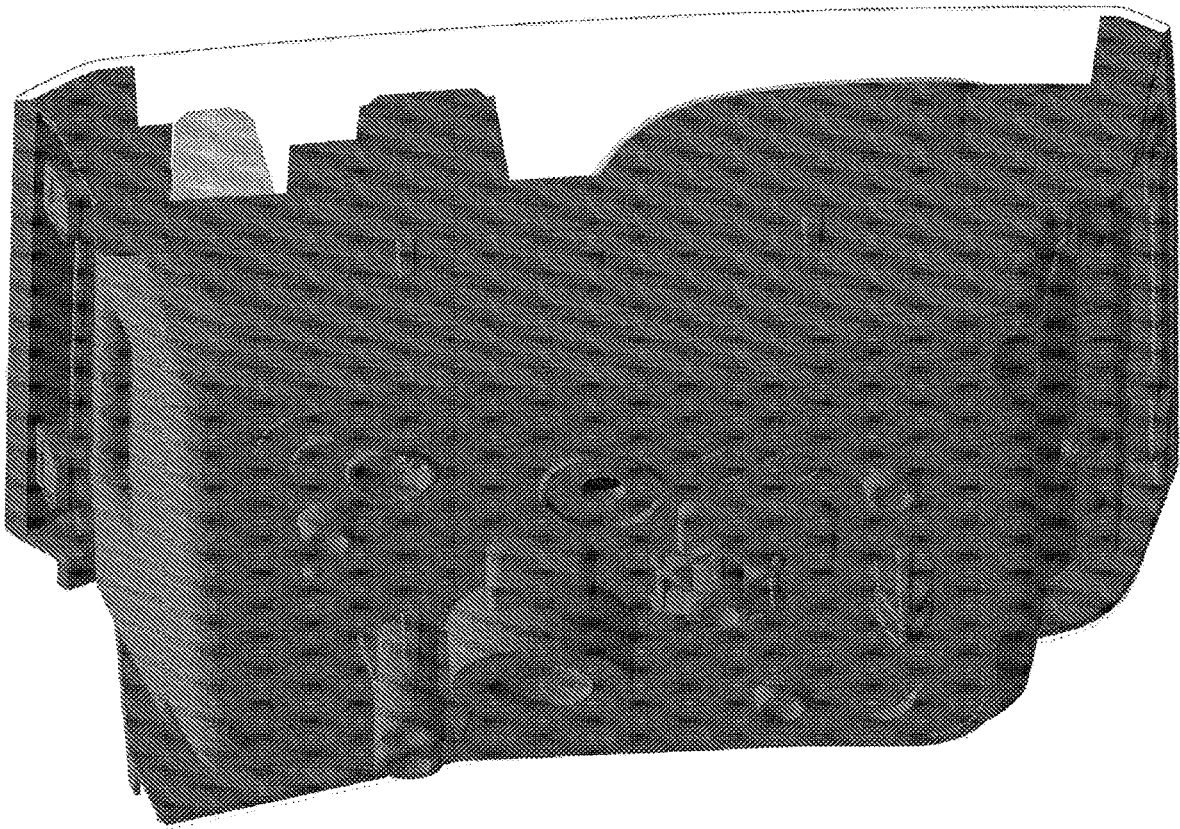


FIG. 4

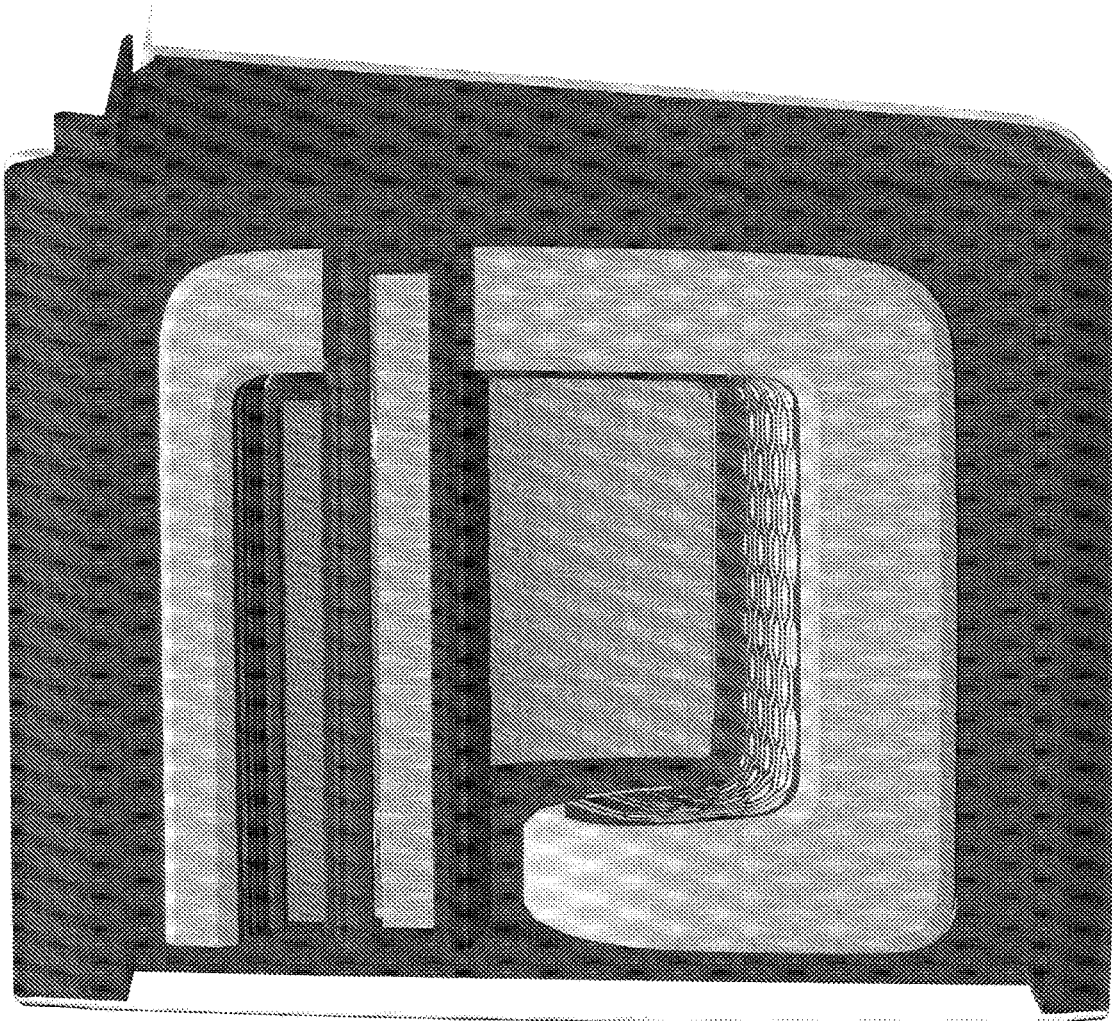


FIG. 5

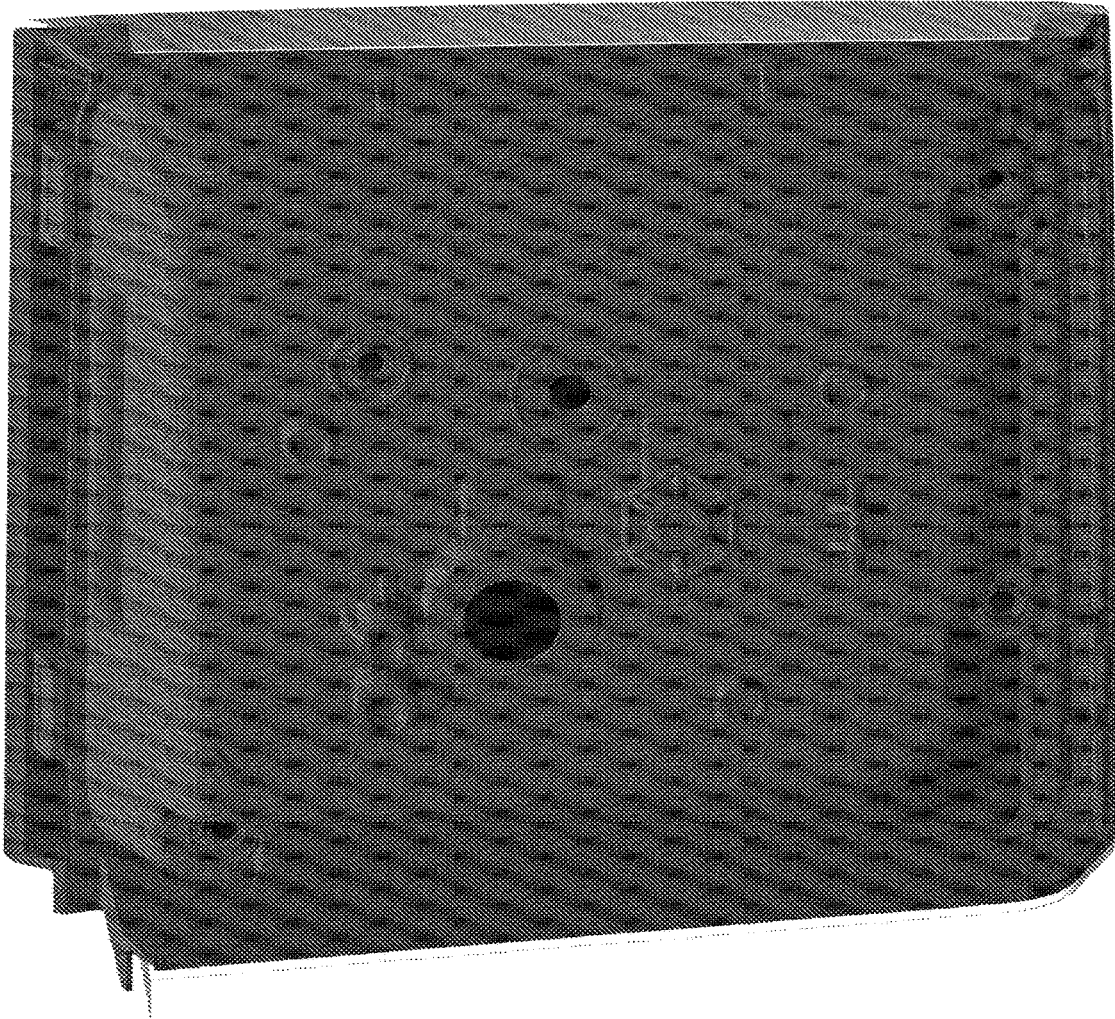


FIG. 6

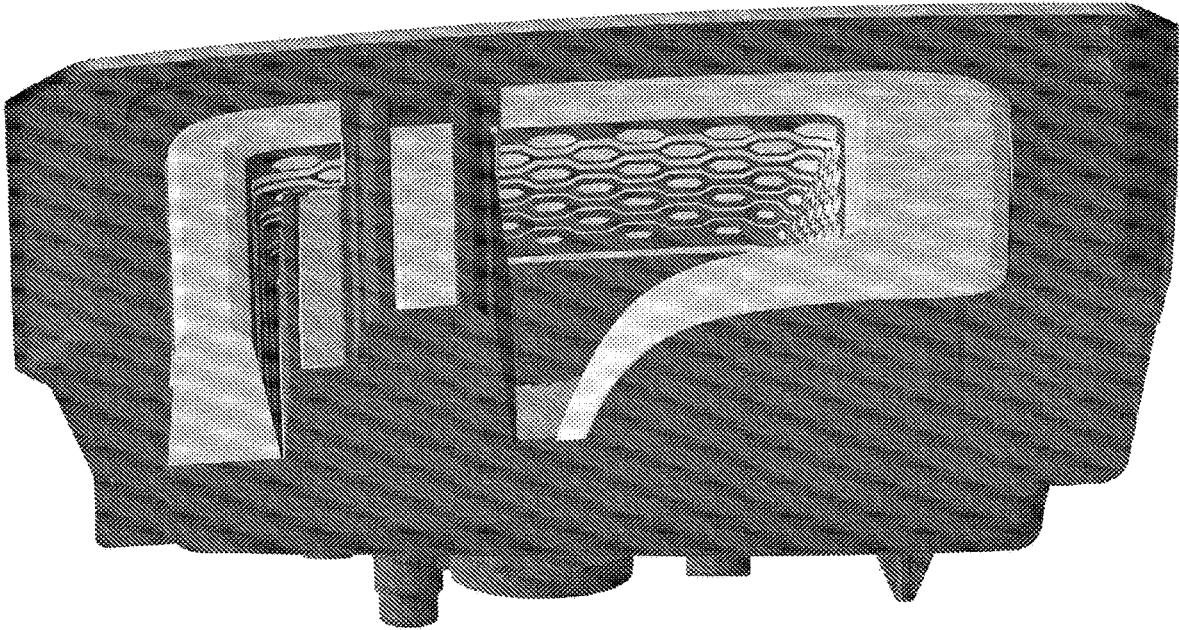


FIG. 7

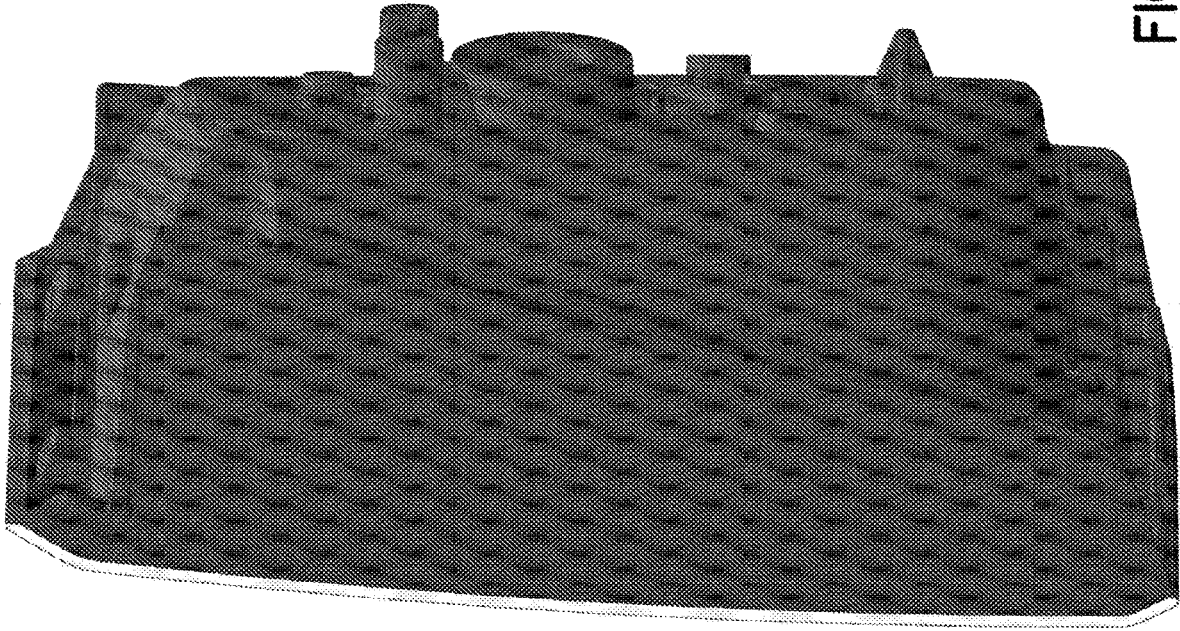


FIG. 8

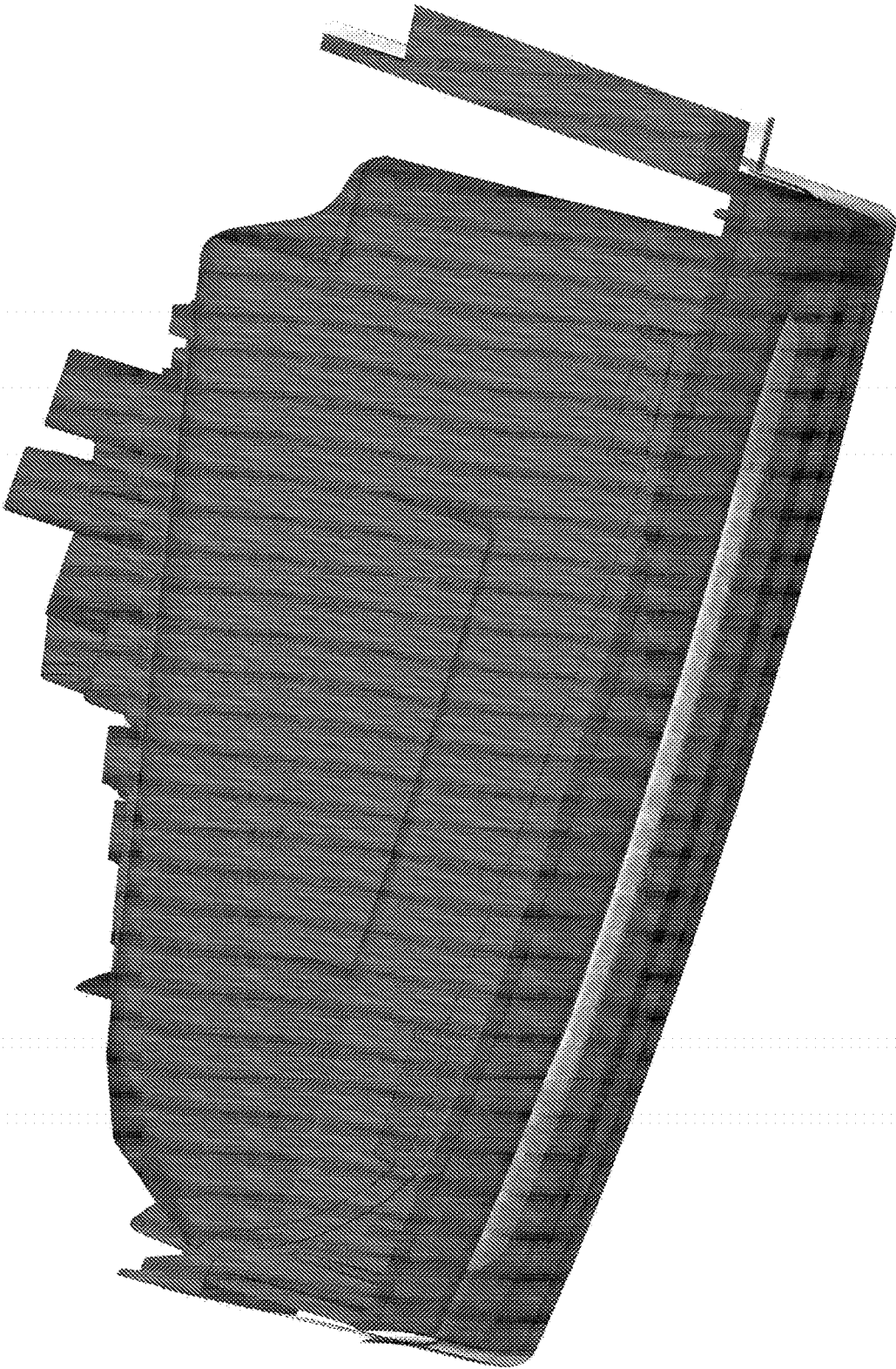


FIG. 9

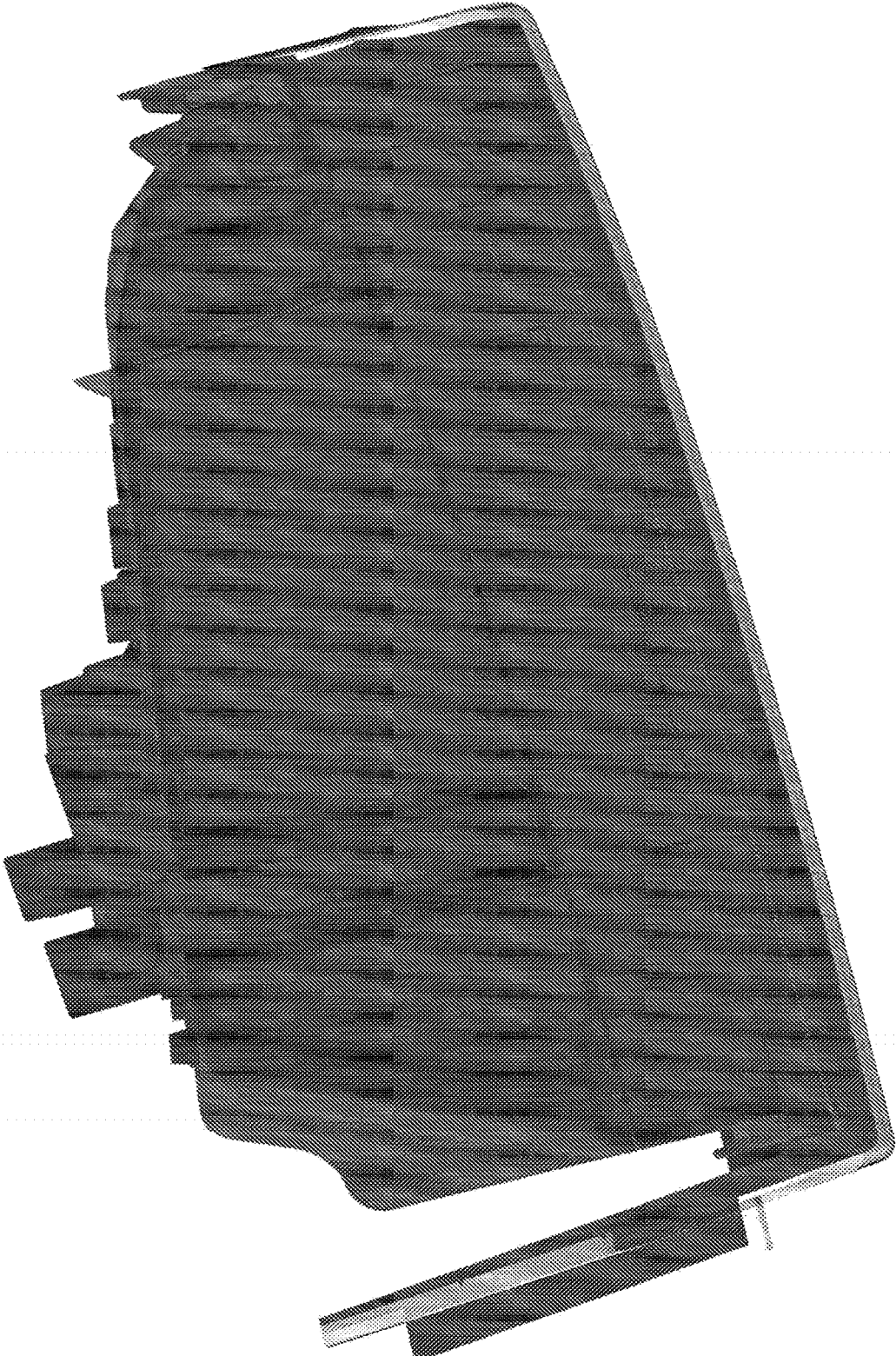


FIG. 10

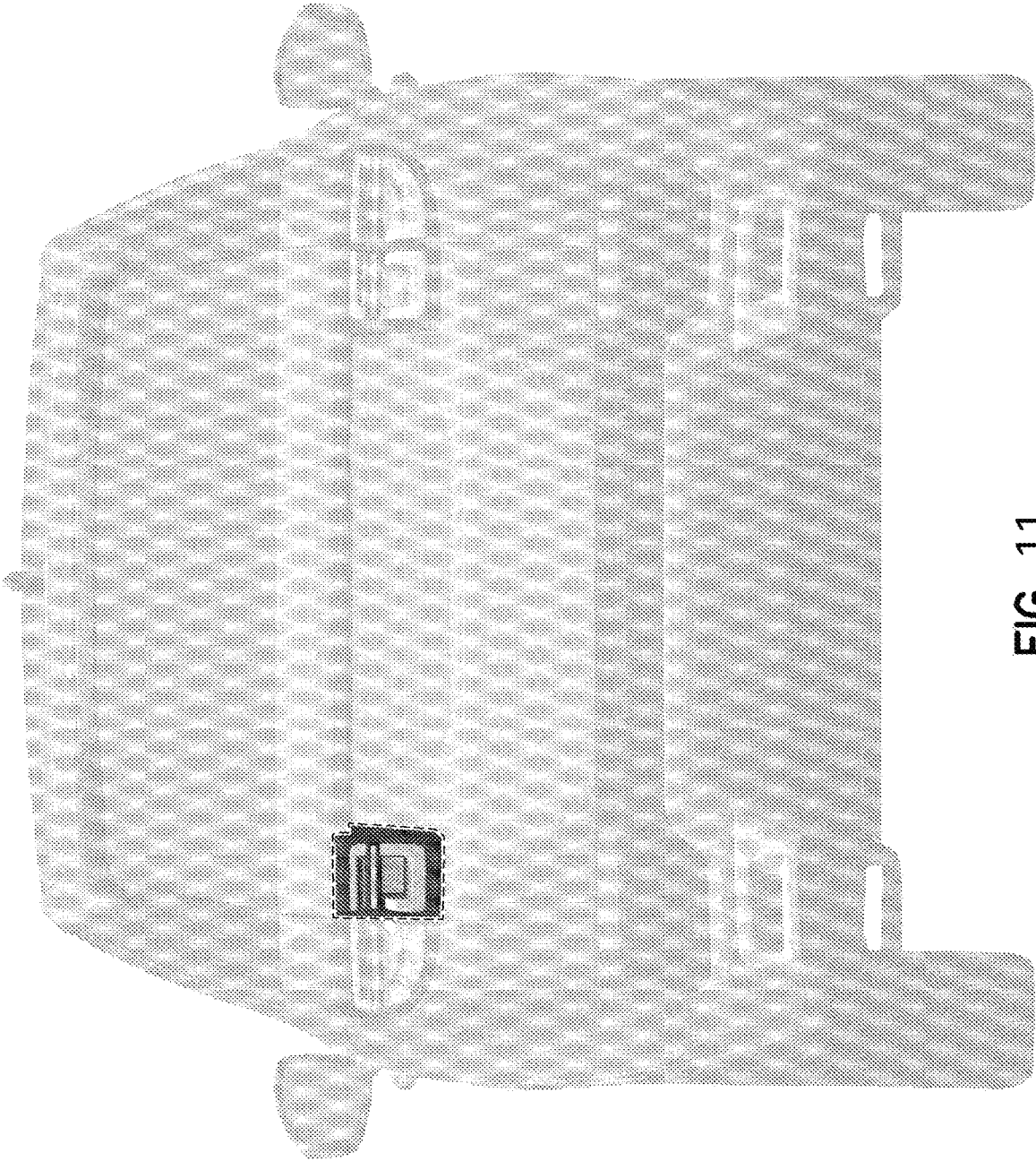


FIG. 11