

# United States Patent [19]

Poltere

[11] Patent Number: **Des. 291,628**

[45] Date of Patent: **\*\* Sep. 1, 1987**

[54] **BOOK HOLDER**

[76] Inventor: **Lillian Poltere**, 5733 Lord Cecil St.,  
San Diego, Calif. 92122

[\*\*] Term: **14 Years**

[21] Appl. No.: **700,272**

[22] Filed: **Feb. 11, 1985**

[52] U.S. Cl. .... **D6/310; D6/300;**  
D6/419

[58] Field of Search ..... **D6/300, 310, 311, 419;**  
D19/34, 91; 248/451, 452, 453, 463

[56] **References Cited**

**U.S. PATENT DOCUMENTS**

D. 206,305	11/1966	Lynch	.....	D6/310
D. 227,326	6/1973	Venuta	.....	D6/310
D. 249,953	10/1978	Drake	.....	D19/91
2,441,655	5/1948	Anderson	.....	248/463

3,411,741	11/1968	Nadler	.....	248/453
4,470,571	9/1984	Hartman	.....	248/452

*Primary Examiner*—Bruce W. Dunkins  
*Attorney, Agent, or Firm*—Charmasson & Holz

[57] **CLAIM**

The ornamental design for a book holder, as shown and described.

**DESCRIPTION**

FIG. 1 is a front elevational view of a book holder showing my new design;

FIG. 2 is a top plan view thereof;

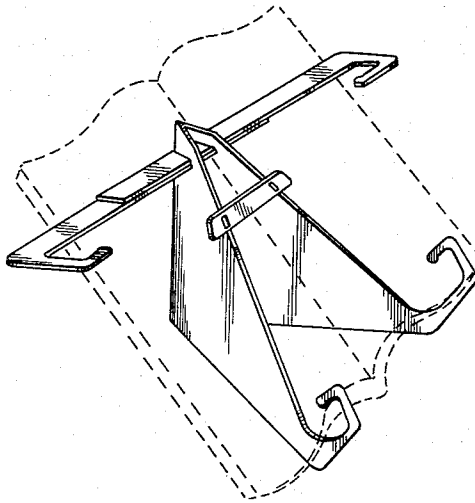
FIG. 3 is a bottom plan view thereof;

FIG. 4 is a rear elevational view thereof;

FIG. 5 is a side elevational view thereof; and

FIG. 6 is a front perspective view thereof.

The broken lines indicating a book in FIG. 6 are shown for illustrative purposes only.



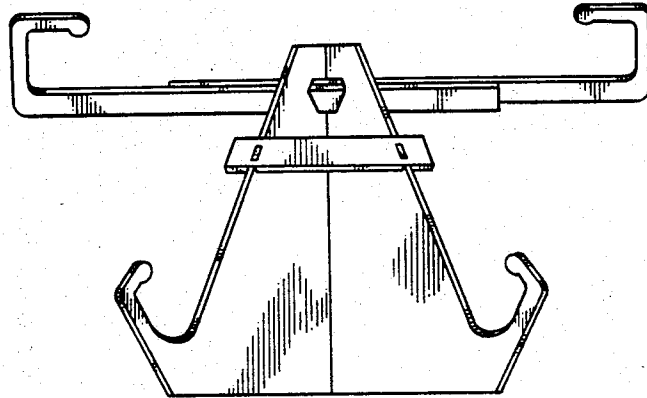


FIG. 1

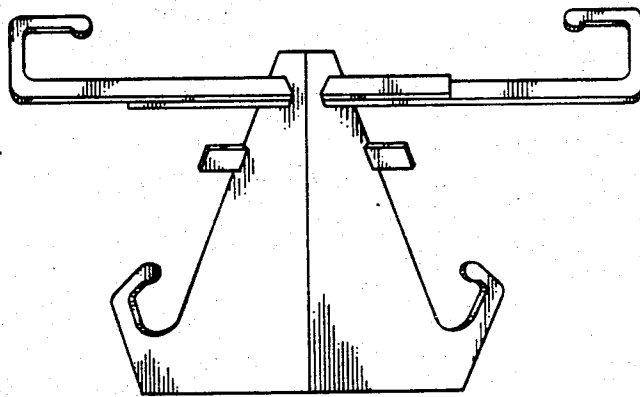


FIG. 4

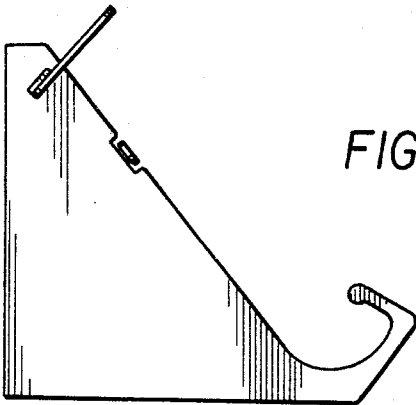


FIG. 5

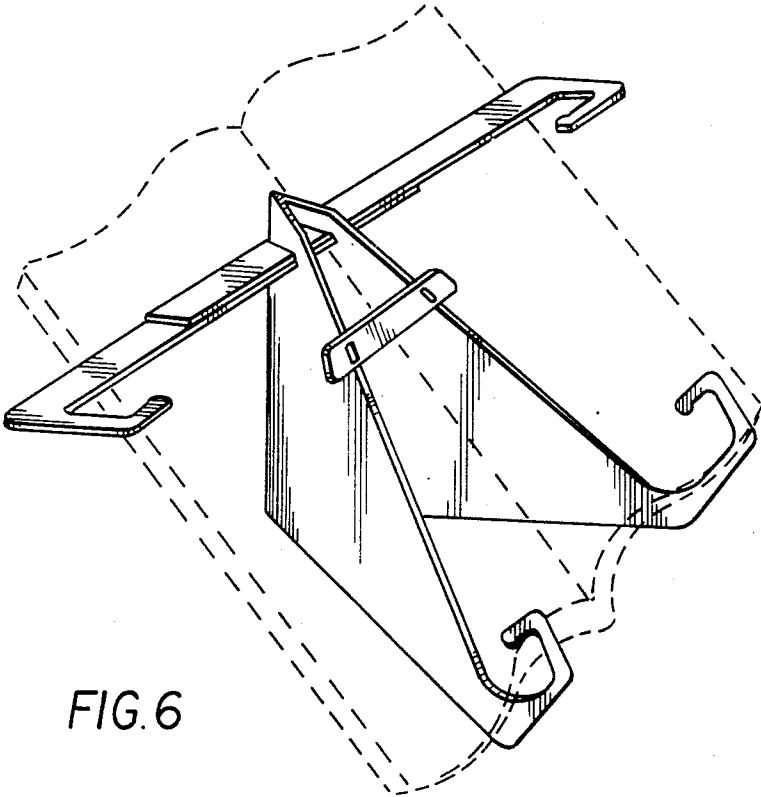


FIG. 6

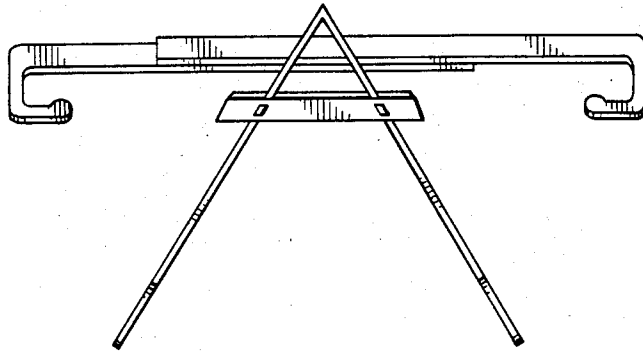


FIG. 2

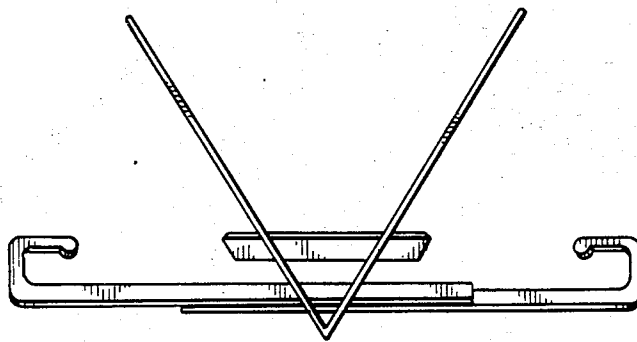


FIG. 3