



US00D707186S

(12) **United States Design Patent**
Sloan

(10) **Patent No.:** **US D707,186 S**

(45) **Date of Patent:** **** Jun. 17, 2014**

(54) **LOAD CONTROL DEVICE**

7,480,208 B2 *	1/2009	Bender et al.	367/93
D588,035 S	3/2009	Schmalz et al.	
D595,604 S	7/2009	Schmalz et al.	
7,576,647 B1 *	8/2009	Mudge	340/541

(71) Applicant: **Lutron Electronics Co., Inc.**,
Coopersburg, PA (US)

(Continued)

(72) Inventor: **Greg Edward Sloan**, Allentown, PA
(US)

OTHER PUBLICATIONS

(73) Assignee: **Lutron Electronics Co., Inc.**,
Coopersburg, PA (US)

Leviton Manufacturing Co., Inc., Occupancy Sensors Product Guide
2006, front cover, p. 9, rear cover.

(Continued)

(**) Term: **14 Years**

Primary Examiner — Selina Sikder

(21) Appl. No.: **29/452,762**

(74) *Attorney, Agent, or Firm* — Mark E. Rose; Philip N.
Smith; Bridget L. McDonough

(22) Filed: **Apr. 22, 2013**

(51) **LOC (10) Cl.** **13-03**

(52) **U.S. Cl.**

USPC **D13/162; D10/106.8**

(58) **Field of Classification Search**

USPC D13/158, 162, 164; D10/104.1, 106.8;
200/5 R, 5 A, 302.2, 520, 530, 293, 296,
200/308, 310, 314, 330, 333, 329, 341;
250/221, DIG. 1; 307/116, 141;
340/540, 565; 361/157, 160, 178;
700/295, 297

See application file for complete search history.

(57)

CLAIM

I claim the ornamental design for a load control device, as
shown and described.

DESCRIPTION

FIG. 1 is a perspective view of a control device according to
a first embodiment of my new design.

FIG. 2 is a front view thereof.

FIG. 3 is a left side view thereof.

FIG. 4 is a right side view thereof.

FIG. 5 is a top view thereof.

FIG. 6 is a bottom view thereof.

FIG. 7 is a perspective view of a control device according to
a second embodiment of my new design.

FIG. 8 is a front view thereof.

FIG. 9 is a left side view thereof.

FIG. 10 is a right side view thereof.

FIG. 11 is a top view thereof; and,

FIG. 12 is a bottom view thereof.

The rear views form no part of the design and are omitted. The
portions of the drawings appearing in broken line are for
environment only and do not form a part of the claimed
design.

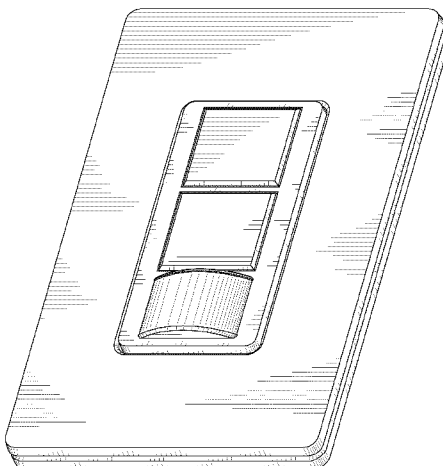
(56)

References Cited

U.S. PATENT DOCUMENTS

5,128,654 A *	7/1992	Griffin et al.	340/567
D333,124 S	2/1993	Carson	
D437,585 S	2/2001	Mayo et al.	
D450,043 S	11/2001	Mosebrouk	
D472,486 S	4/2003	Eckel et al.	
D535,204 S	1/2007	Bender et al.	
D539,234 S	3/2007	Blair et al.	
D543,951 S *	6/2007	Blair et al.	D13/162
D565,984 S	4/2008	Lidong et al.	
D569,284 S	5/2008	Ni et al.	
D569,291 S	5/2008	Ni et al.	
D583,336 S *	12/2008	Ni	D13/170

1 Claim, 8 Drawing Sheets



(56)

References Cited

U.S. PATENT DOCUMENTS

D602,446	S	*	10/2009	Felegy et al.	D13/171
D627,309	S		11/2010	Snyder et al.		
D654,030	S	*	2/2012	Hoffknecht et al.	D13/164
8,346,403	B2		1/2013	Goyal et al.		
2011/0253516	A1	*	10/2011	Figuroa et al.	200/297
2013/0285472	A1	*	10/2013	Bull	307/116

OTHER PUBLICATIONS

Lightolier Controls, IntelliSight Universal Sensor Switch Installation and Operations Manual, 2007, 12 pages.

Lithonia Lighting, LIRW DS Infrared Dual Switch Wall-Mount Sensor Specification Sheet, 1995, 2 pages.

Pass & Seymour, Sensors and Timers Brochure, Nov. 2007, 8 pages.
Rab Lighting, LOS800 Smart Switch Occupancy Sensor Installation Manual, 2005, 9 pages.

Sensor Switch, Inc., LWS/LWSH Series Large Area Wall Switch Sensor & High-Mount Application Specification Sheet, Jan. 20, 2005, 2 pages.

Sensor Switch, Inc., WSD-PDT 2 Pole Passive Dual Technology Decorator Wall Switch Sensor Specification Sheet, Apr. 28, 2006, 2 pages.

Watt Stopper, PW-100/PW-100-347/PW-200 Passive Infrared Wall Switch Occupancy Sensor Installation Instructions, Oct. 2006, 8 pages.

Luton Electronics Co., Inc., Passive Infrared Wall Switches Specification Submittal Sheet, Aug. 9, 2006, 6 pages.

* cited by examiner

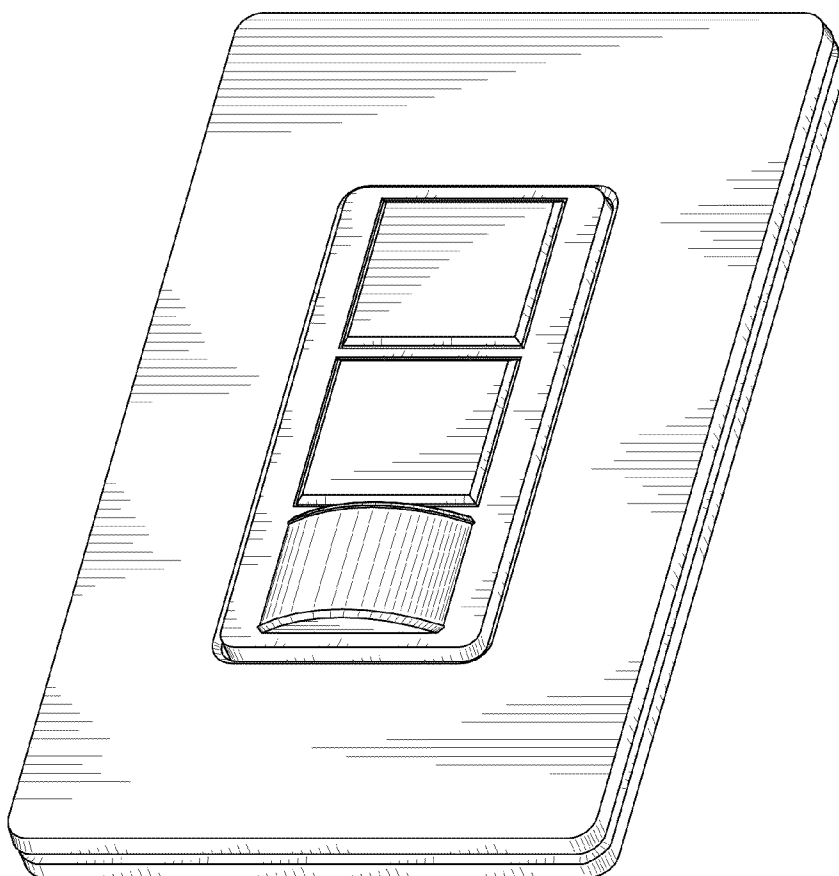


Fig. 1

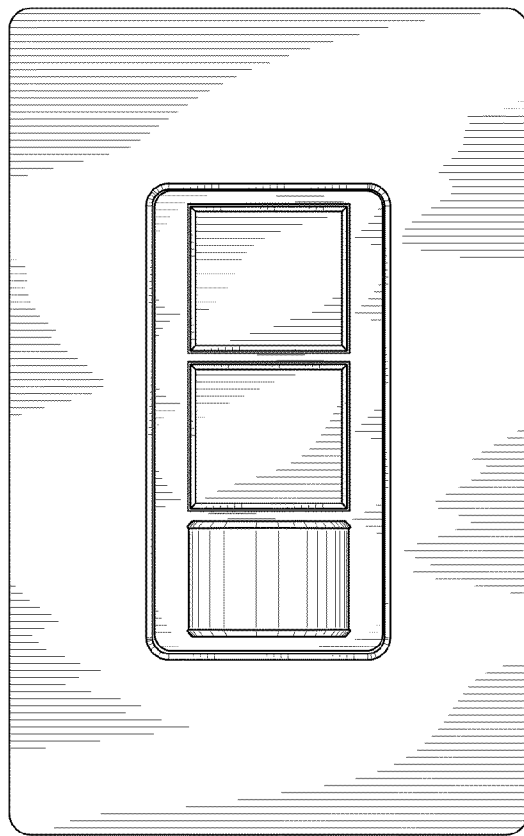


Fig. 2

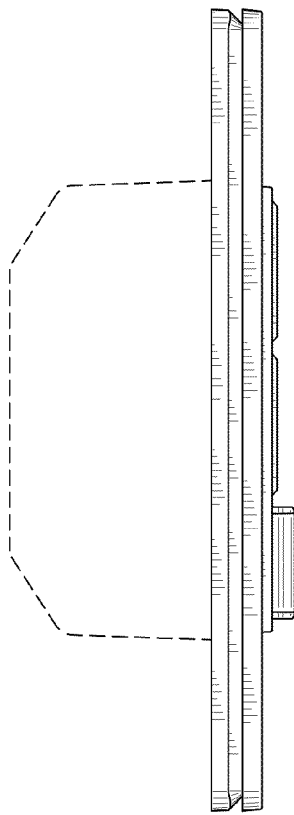


Fig. 3

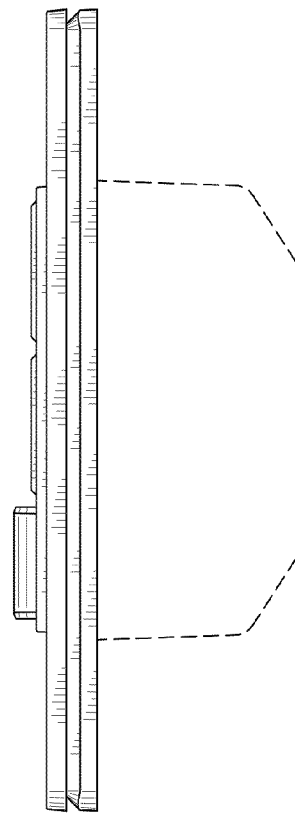


Fig. 4

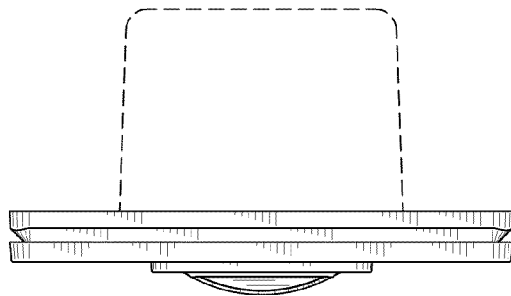


Fig. 5

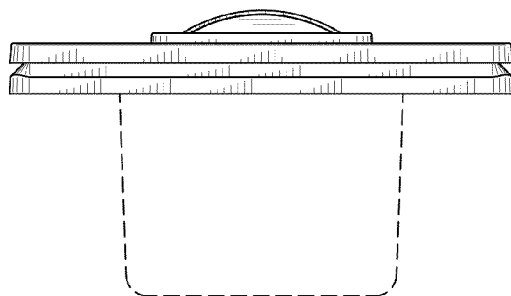


Fig. 6

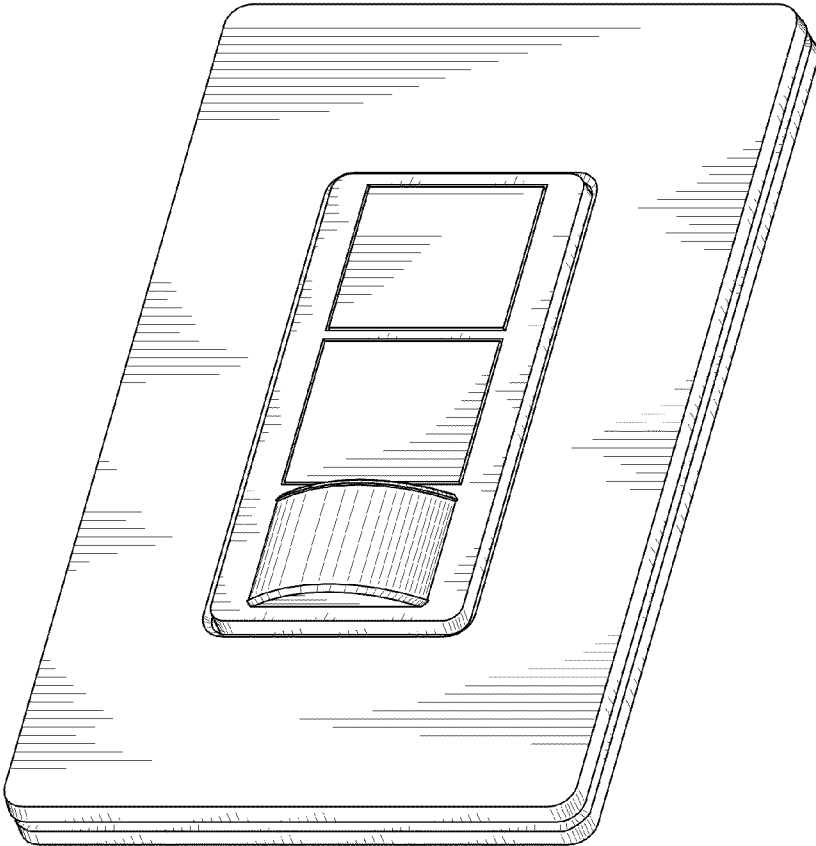


Fig. 7

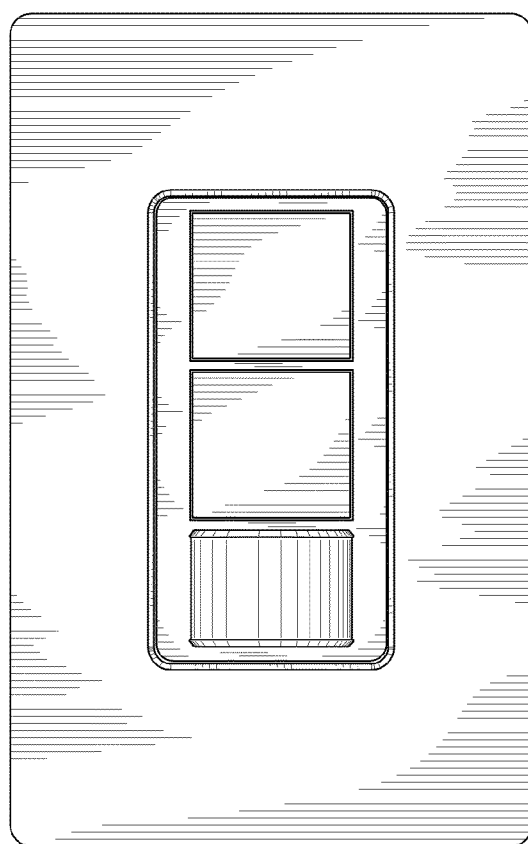


Fig. 8

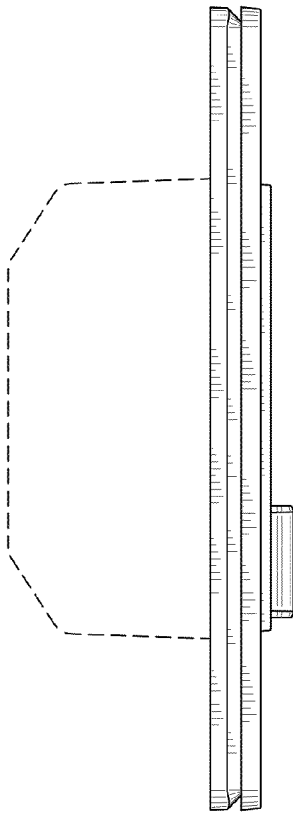


Fig. 9

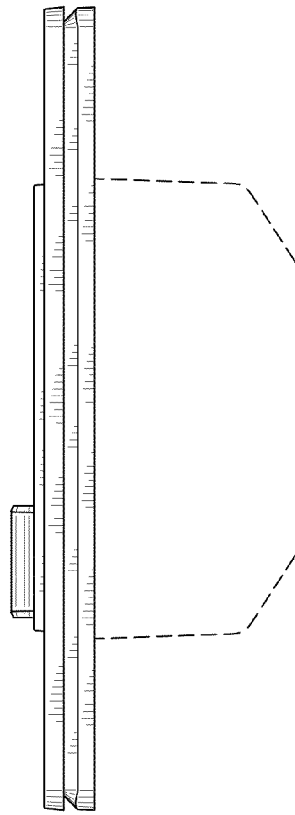


Fig. 10

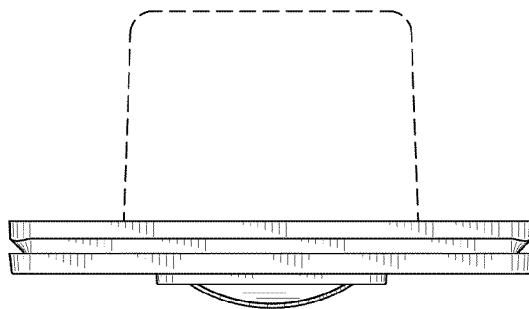


Fig. 11

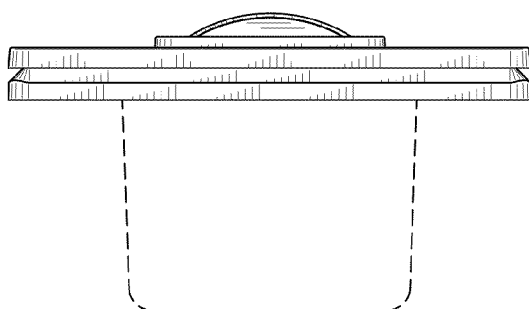


Fig. 12