



US00D957296S

(12) **United States Design Patent** (10) **Patent No.:** **US D957,296 S**
Woodhouse et al. (45) **Date of Patent:** **** Jul. 12, 2022**

(54) **VEHICLE FENDER**

(56) **References Cited**

(71) Applicant: **Ford Global Technologies, LLC**,
Dearborn, MI (US)

(72) Inventors: **David Woodhouse**, Troy, MI (US);
Kemal Curic, West Bloomfield, MI
(US); **Xitij Mistry**, Ann Arbor, MI
(US); **Gurminder Bhandal**, Ferndale,
MI (US); **John C. Caswell**, Grosse
Pointe, MI (US)

(73) Assignee: **Ford Global Technologies, LLC**,
Dearborn, MI (US)

(**) Term: **15 Years**

U.S. PATENT DOCUMENTS

9,278,716	B1 †	3/2016	Joseph	B62D 25/18
D756,870	S †	5/2016	Tsutamori	D12/184
D758,935	S †	6/2016	Platto	D12/184
9,403,557	B1 †	8/2016	Sharma	C21D 1/06
9,487,238	B2 †	11/2016	Iwano	B62D 25/025
D775,031	S †	12/2016	Frascella	D12/184
D787,395	S †	5/2017	Curic	D12/181
9,669,876	B2 †	6/2017	Iwano	B62D 25/04
9,738,322	B2 †	8/2017	Matthiessen	B62D 25/02
D803,119	S †	11/2017	Beermann	D12/184
D803,741	S †	11/2017	Tsubaki	D12/184
D805,013	S †	12/2017	Whitla	D12/181
D806,622	S †	1/2018	Granlund	D12/184
D807,261	S †	1/2018	Zavatski	D12/184

(Continued)

(21) Appl. No.: **29/728,287**

OTHER PUBLICATIONS

(22) Filed: **Mar. 17, 2020**

Fenders. (Design—© Questel) orbit.com. [Online PDF compilation of references] 52 pgs. Print Dates Range Jun. 5, 2020-Jul. 10, 2021 [Retrieved Jan. 24, 2022].*

(Continued)

Related U.S. Application Data

(62) Division of application No. 29/641,681, filed on Apr. 24, 2018, now Pat. No. Des. 878,261.

(51) **LOC (13) Cl.** **12-16**
(52) **U.S. Cl.**
USPC **D12/184**

(58) **Field of Classification Search**
USPC ... D12/1, 14, 82, 85, 88, 89, 90, 91, 92, 93,
D12/96, 97, 98, 99, 164, 167, 169, 170,
D12/171, 172, 173, 181, 184, 185, 190,
D12/192, 196, 400; D21/533, 548, 552,
D21/561
CPC B62D 25/02; B62D 25/04; B62D 25/16;
B62D 25/18; B62D 25/161; B62D
25/168; B62D 25/182; B60J 5/00; B60J
5/02; B60J 5/04; B60J 5/10; B60R 19/00
See application file for complete search history.

Primary Examiner — Manpreet S Matharu
Assistant Examiner — Suzanne E Tisdell

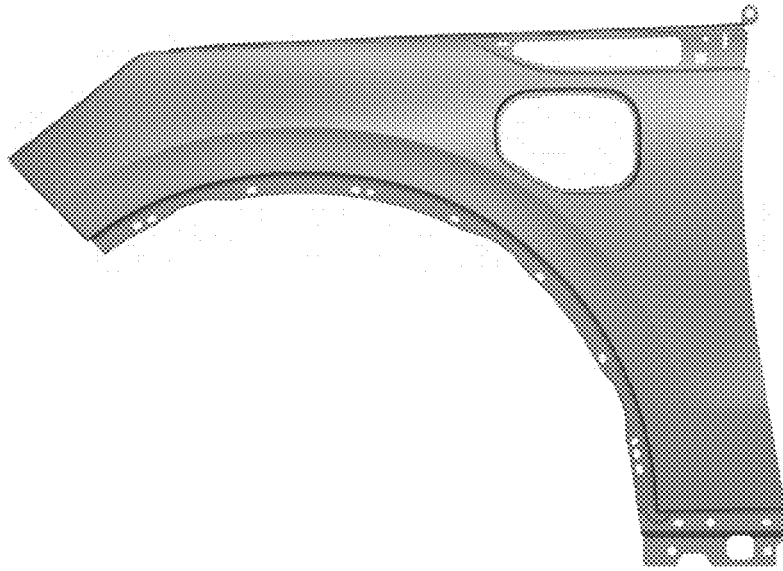
(57) **CLAIM**

The ornamental design for a vehicle fender, as shown and described.

DESCRIPTION

FIG. 1 is a front elevational view of a vehicle fender, showing our new design;
FIG. 2 is a left side elevational view thereof;
FIG. 3 is a right side elevational view thereof;
FIG. 4 is a top plan view thereof;
FIG. 5 is a bottom plan view thereof; and,
FIG. 6 is a top, left and front side perspective view thereof.

1 Claim, 6 Drawing Sheets



(56)

References Cited

U.S. PATENT DOCUMENTS

9,890,966 B2 ‡ 2/2018 Mueller B62D 25/16
 D817,829 S ‡ 5/2018 Behmer D12/184
 D820,751 S ‡ 6/2018 Luk D12/184
 D823,741 S ‡ 7/2018 Kim D12/169
 10,023,241 B2 ‡ 7/2018 Umemoto B62D 25/161
 10,035,543 B2 ‡ 7/2018 Sato B60J 5/0444
 D826,811 S ‡ 8/2018 Lim D12/184
 D827,527 S ‡ 9/2018 Loeb D12/184
 D827,528 S ‡ 9/2018 Gueler D12/184
 D827,529 S ‡ 9/2018 Al Attar D12/184
 D828,254 S ‡ 9/2018 Simm D12/184
 10,077,085 B2 ‡ 9/2018 Pfaffelhuber B62D 27/02
 D874,365 S * 2/2020 Woodhouse D12/181
 D878,261 S * 3/2020 Woodhouse D12/184
 D881,092 S * 4/2020 Tonello D12/184
 D885,273 S * 5/2020 Woodhouse D12/181
 D899,982 S * 10/2020 Metros D12/181
 D899,983 S * 10/2020 Metros D12/181
 D904,950 S * 12/2020 Al Attar D12/184
 D919,520 S * 5/2021 Wraith D12/181
 D929,279 S * 8/2021 Woodhouse D12/184

D929,280 S * 8/2021 Piaskowski D12/184
 D930,533 S * 9/2021 Ruiz D12/184
 D938,873 S * 12/2021 Yamaji D12/181
 D940,025 S * 1/2022 Kaoud D12/184

OTHER PUBLICATIONS

Replace Ford Fenders. Before Dec. 1, 2017. Car ID. <https://www.carid.com/replace/fenders.html?urlId=89282090>.
 Ford Focus Fender Right , 2007. Painted Auto Body Parts. <https://paintedautobodyparts.com/ford-focus-fender-right-oem-5s4z16005aa-2005-2007.html>.
 Evan-.Fischer Front Fender. Jun. 22, 2016. Amazon. https://www.amazon.com/dp/B01HE6RY8S/ref=sspa_dk_detail_5?psc=1&pd_rd_i=B01HE6RY8S&pd_rd_w=xH8TY&pf_rd_p=9fd3ea7c-b77c-42ac-b43b-c872d3f37c38&pd_rd_wg=LSI9c&pf_rd_r=3ZVPFSBM8QQ32WGI3MPV&pd_rd_r=8ccf06a2-b5ec-4f0e-8541-026e418718f5&smid=A1HUEAKMMEJT9B&spLa=ZW5jcnlwd.*

* cited by examiner

‡ imported from a related application

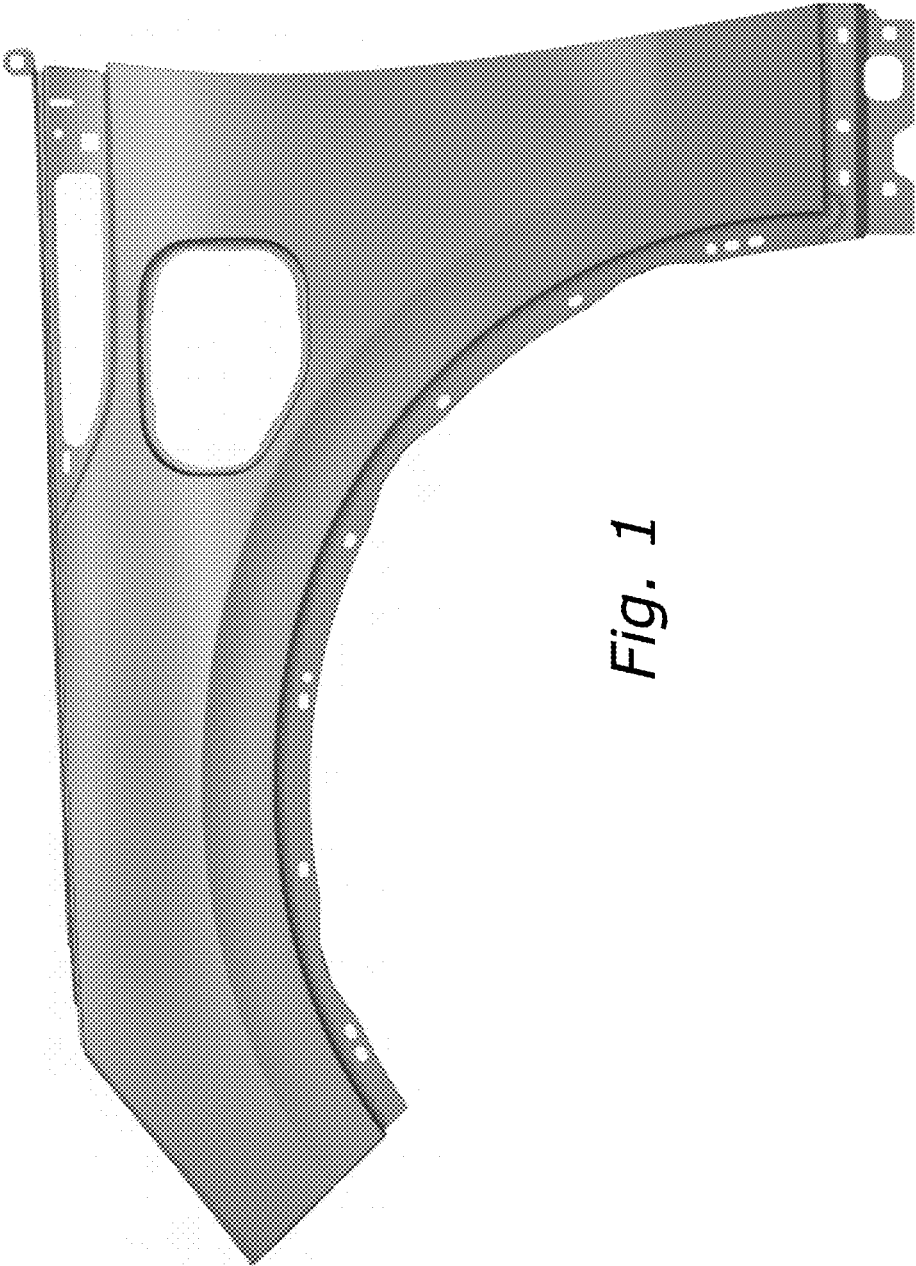
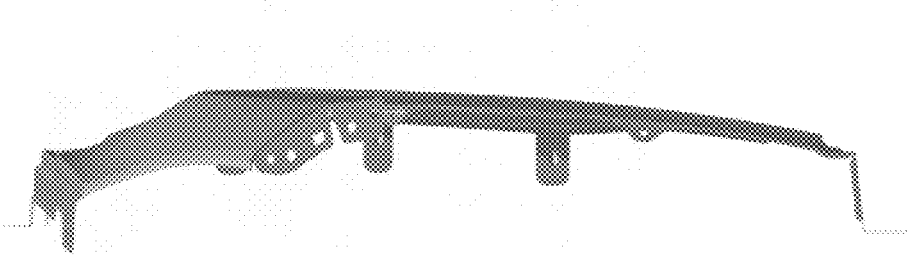


Fig. 1

Fig. 2



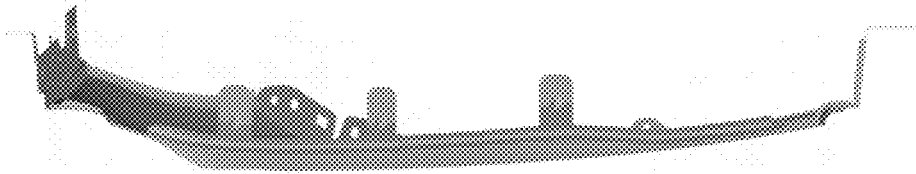


Fig. 3

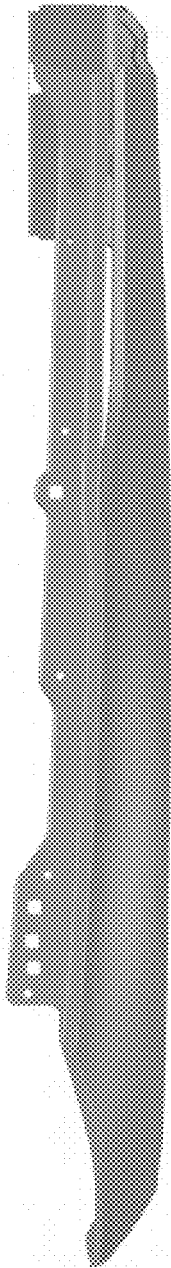


Fig. 4

Fig. 5

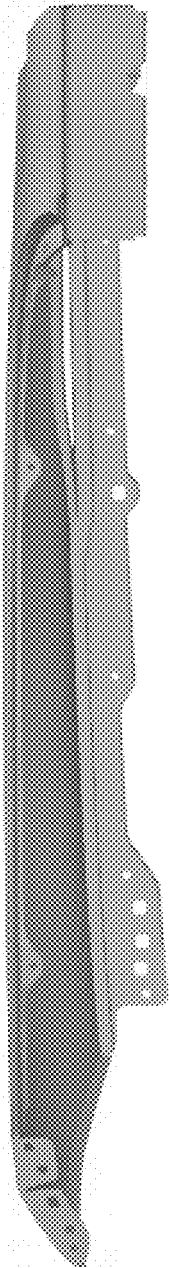




Fig. 6