



US00D966230S

(12) **United States Design Patent**
Ye

(10) **Patent No.:** **US D966,230 S**

(45) **Date of Patent:** **** Oct. 11, 2022**

(54) **WIRELESS EARPHONE**

(71) Applicant: **Ting Ye**, Ganzhou (CN)

(72) Inventor: **Ting Ye**, Ganzhou (CN)

(**) Term: **15 Years**

(21) Appl. No.: **29/792,063**

(22) Filed: **Mar. 1, 2022**

(30) **Foreign Application Priority Data**

Jan. 14, 2022 (CN) 202230023925.3

(51) **LOC (13) Cl.** **14-01**

(52) **U.S. Cl.**
USPC **D14/205**

(58) **Field of Classification Search**
USPC D14/205, 223; D24/106, 174; 381/380,
381/381; 128/864-866
CPC H04R 1/10; H04R 25/00; H04R 1/1066;
H04R 1/1016; H04R 5/033; H04R
5/0335; H04R 1/1033; H04R 1/1041;
H04R 1/1091
See application file for complete search history.

(56) **References Cited**

U.S. PATENT DOCUMENTS

- 2,487,038 A * 11/1949 Baum H04R 1/1016
181/135
- 3,301,253 A * 1/1967 Glorig A61F 11/08
128/866
- D241,881 S * 10/1976 Peterson D24/106
- D245,202 S * 7/1977 Asker D24/106
- 4,219,018 A * 8/1980 Draper, Jr. A61F 11/12
128/864
- 4,314,553 A * 2/1982 Westerdal A61F 11/08
181/135
- 4,867,149 A * 9/1989 Falco A61F 11/08
128/864

- 5,113,967 A * 5/1992 Killion A61F 11/08
181/135
- D427,304 S * 6/2000 Magidson D24/106
- 6,148,821 A * 11/2000 Falco H04R 1/1016
128/867

(Continued)

FOREIGN PATENT DOCUMENTS

- CN 305285903 * 8/2019
- CN 307100945 * 2/2022

(Continued)

Primary Examiner — Paula Allen Greene

(57) **CLAIM**

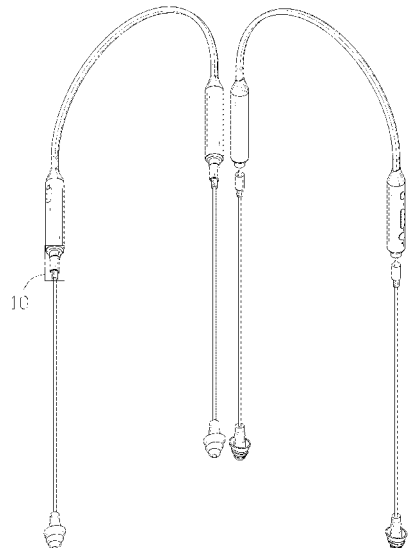
The ornamental design for a wireless earphone, as shown and described.

DESCRIPTION

FIG. 1 is a front and top perspective view of a wireless earphone, showing my new design;
 FIG. 2 is a rear and bottom perspective view thereof;
 FIG. 3 is a front elevation view thereof;
 FIG. 4 is a rear elevation view thereof;
 FIG. 5 is a left side elevation view thereof;
 FIG. 6 is a right side elevation view thereof;
 FIG. 7 is a top plan view thereof;
 FIG. 8 is a bottom plan view thereof;
 FIG. 9 is an enlarged view of a portion indicated with numeric 9 in FIG. 1;
 FIG. 10 is an enlarged view of a portion indicated with numeric 10 in FIG. 2; and,
 FIG. 11 is an exploded view thereof.

The broken lines in the figures illustrate portions of the wireless earphone that form no part of the claimed design. The dash dot dash lines in FIGS. 1, 2, 9 and 10 are for the purpose of illustrating the enlarged views and form no part of the claimed design. The appearance of any portion of the article between the disassembled or exploded portions of FIG. 11 form no part of the claimed design.

1 Claim, 11 Drawing Sheets



(56)

References Cited

U.S. PATENT DOCUMENTS

D436,164	S *	1/2001	Foslien	D24/106
D492,766	S *	7/2004	Falco	A61F 11/08 D24/106
7,107,993	B2 *	9/2006	Magidson	A61F 11/08 181/129
D539,415	S *	3/2007	Fleming	A61F 11/08 D24/106
D567,230	S *	4/2008	Seto	D14/223
D591,732	S *	5/2009	Burton	D14/223
D624,902	S *	10/2010	Kolton	D14/205
7,920,902	B2 *	4/2011	Carroll	H04M 1/6066 381/74
D652,817	S *	1/2012	Lee	D14/205
D682,809	S *	5/2013	Fletcher	D14/205
D685,343	S *	7/2013	Fletcher	D14/205
D685,750	S *	7/2013	Nakagawa	D13/168
D685,761	S *	7/2013	Fletcher	D14/205
D687,410	S *	8/2013	Fletcher	D14/205
D693,326	S *	11/2013	Takeno	D14/205
D712,371	S *	9/2014	Henning	D14/205
D767,532	S *	9/2016	Jen	D14/205
D774,490	S *	12/2016	Lin	D14/205
D776,635	S *	1/2017	Chang	D14/205
D777,139	S *	1/2017	Fletcher	D14/205
D817,301	S *	5/2018	Aoyagi	D14/205
D836,598	S *	12/2018	Chen	D14/205
D845,272	S *	4/2019	Birger	D14/205
D855,580	S *	8/2019	Ma	D14/206
D856,307	S *	8/2019	Maeda	D14/218
D873,791	S *	1/2020	Aoyagi	D14/205
D875,070	S *	2/2020	Carr	D14/205
D875,709	S *	2/2020	Yuanfa	D14/205
D881,838	S *	4/2020	Aoyagi	D14/205
D890,127	S *	7/2020	Kim	D14/205
D890,128	S *	7/2020	Kim	D14/205
D895,572	S *	9/2020	Maeda	D14/223
D895,575	S *	9/2020	Aoyagi	D14/205
D896,202	S *	9/2020	Mo	D14/205
D909,990	S *	2/2021	Birger	D14/206
D920,951	S *	6/2021	Dryden	D14/205
D923,601	S *	6/2021	Kim	D14/205
D924,841	S *	7/2021	Yuan	D14/205
D938,387	S *	12/2021	Park et al.	
D939,687	S *	12/2021	Ye	D24/106
D945,406	S *	3/2022	Li	D14/223
2005/0094835	A1 *	5/2005	Doty	A61F 11/08 381/328
2009/0034775	A1 *	2/2009	Burton	H04R 1/1016 381/380
2010/0319714	A1 *	12/2010	Oshima	A61F 11/12 128/866
2011/0007929	A1 *	1/2011	Rabu	H04R 1/1033 381/380
2016/0316290	A1 *	10/2016	Shen	H04R 1/1025
2017/0319392	A1 *	11/2017	Knudsen	H04R 1/1083
2018/0199128	A1 *	7/2018	Chiu	H04R 1/1033
2020/0221206	A1 *	7/2020	Iseberg	H04R 1/1016
2022/0095038	A1 *	3/2022	Xie	H04R 1/1033

FOREIGN PATENT DOCUMENTS

EM	006665139-0003	*	8/2019
GB	9006261756-0001	*	2/2019
IN	327883-001-0001	*	3/2020

* cited by examiner

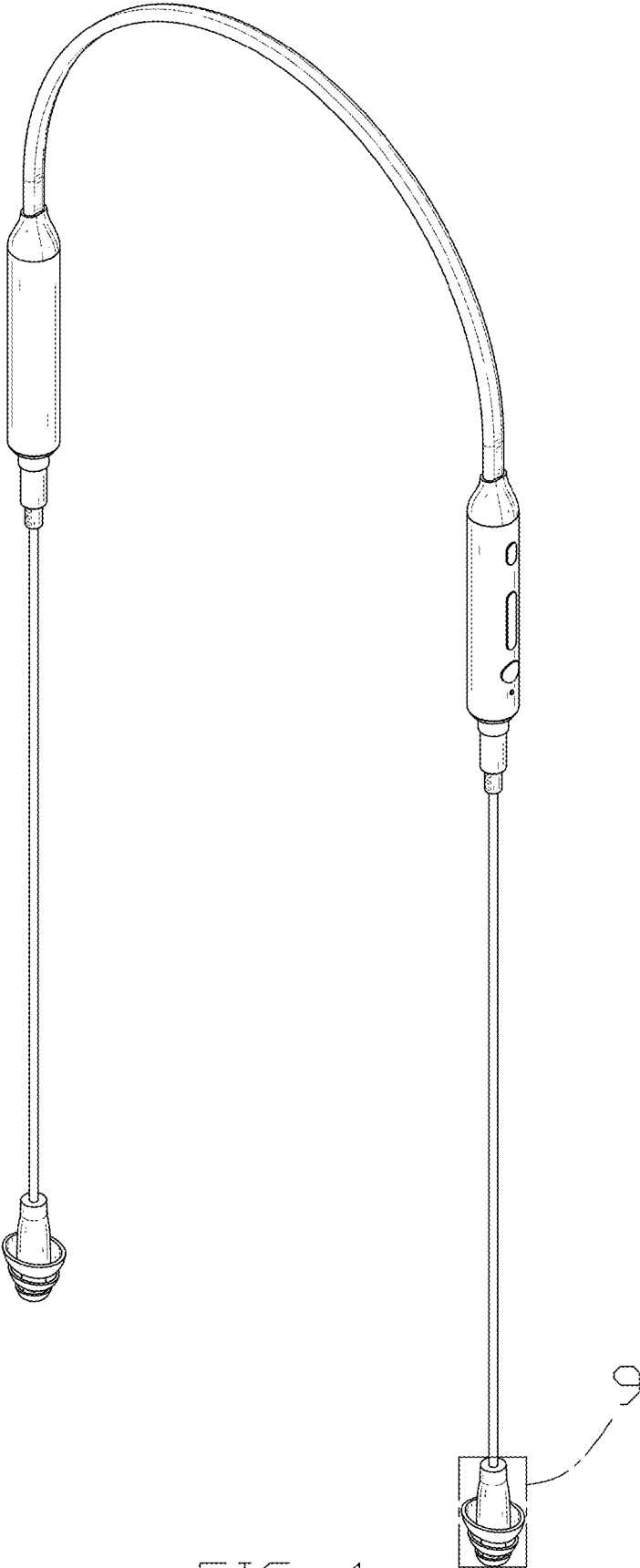


FIG. 1

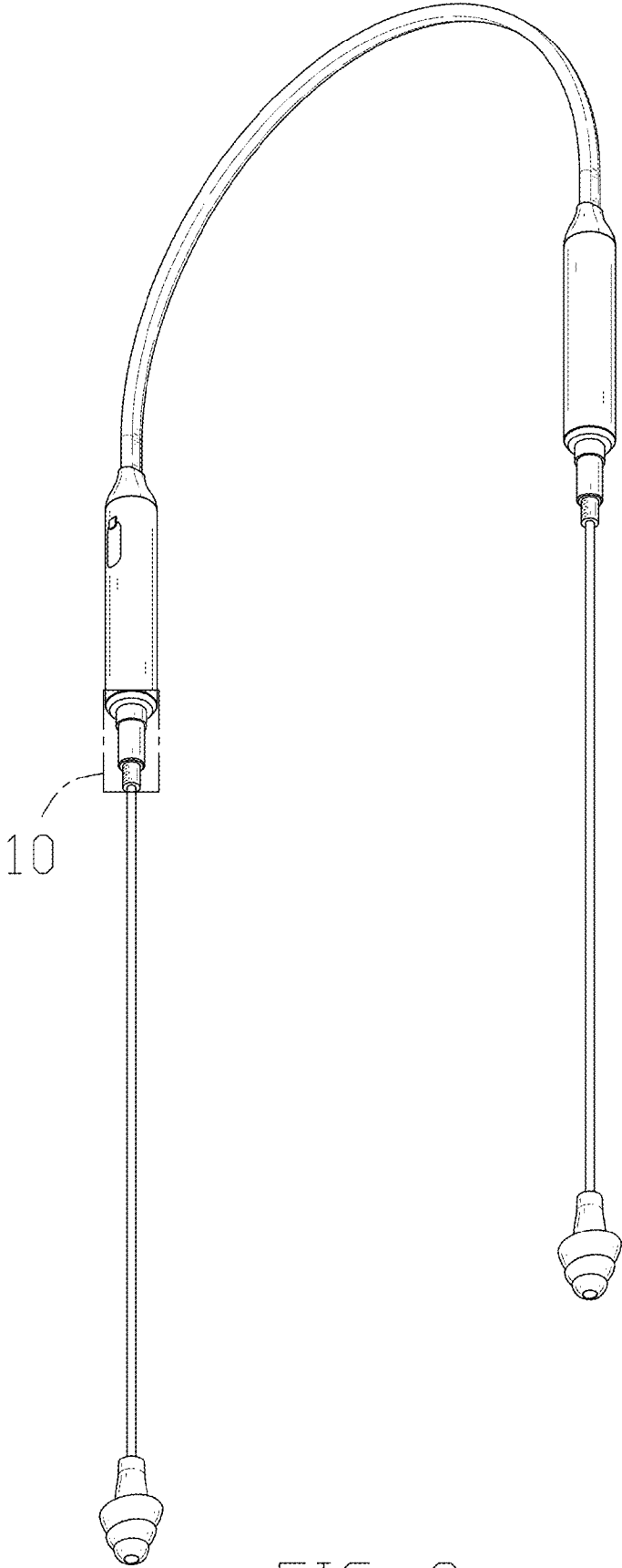


FIG. 2

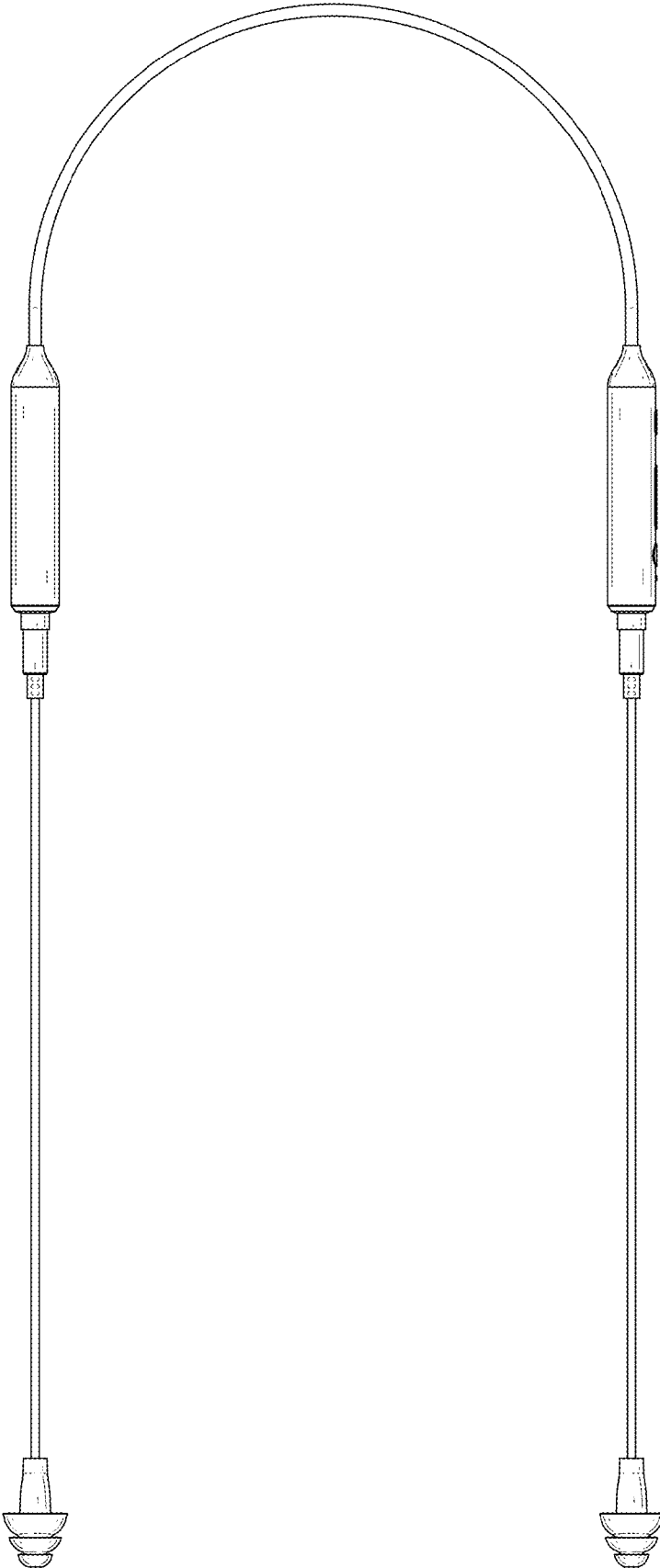


FIG. 3

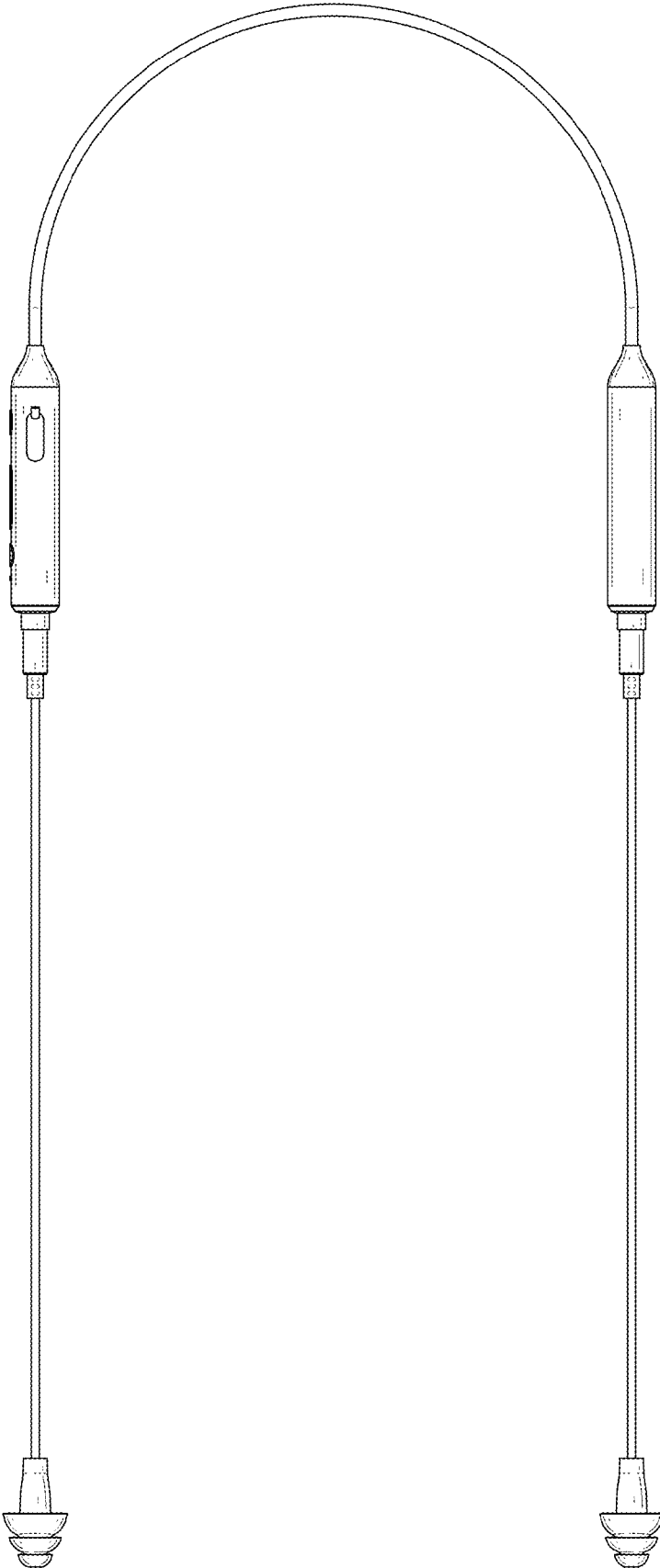


FIG. 4



FIG. 5

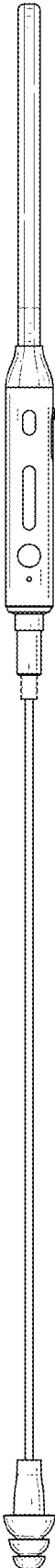


FIG. 6

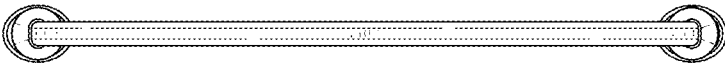


FIG. 7



FIG. 8

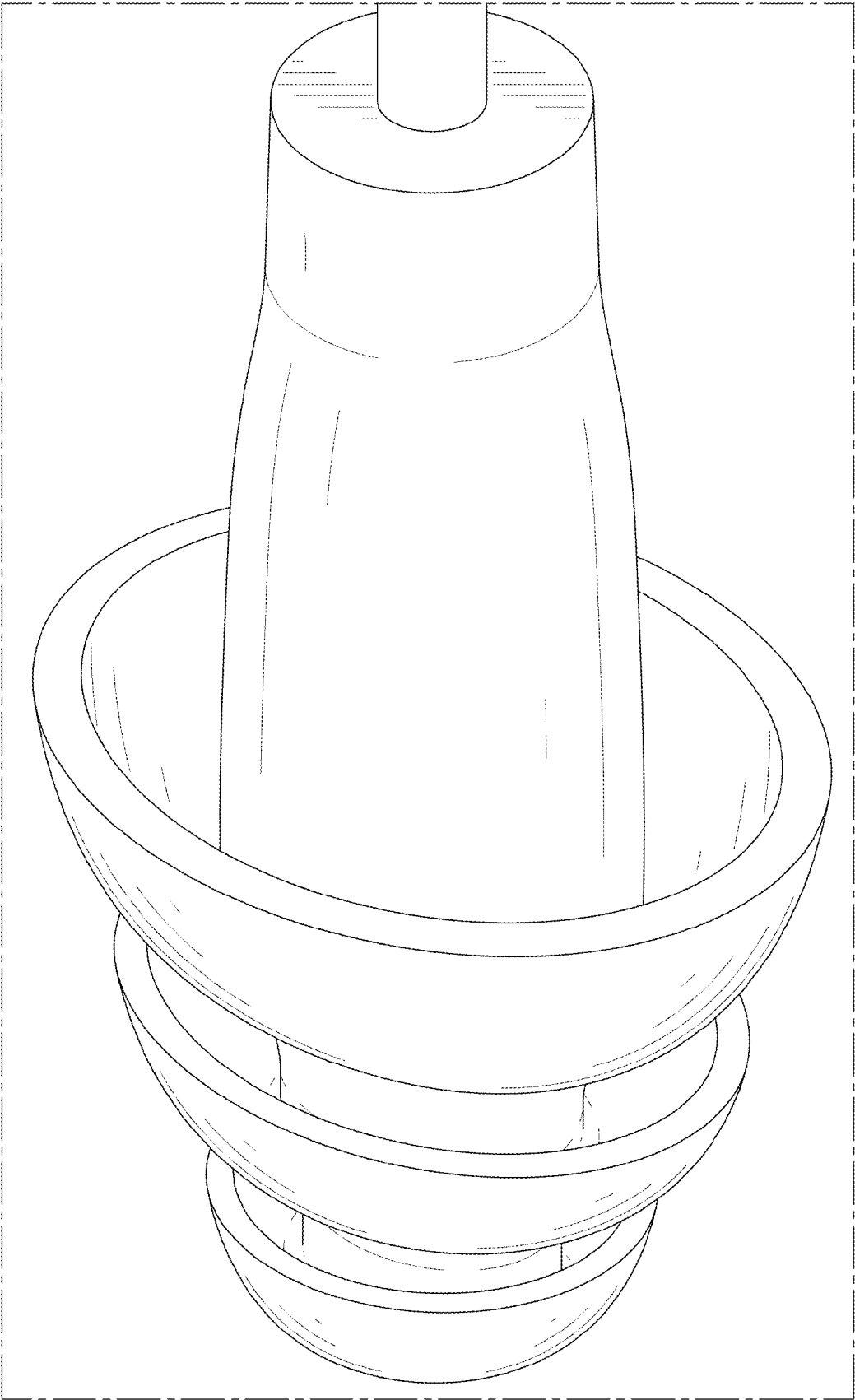


FIG. 9

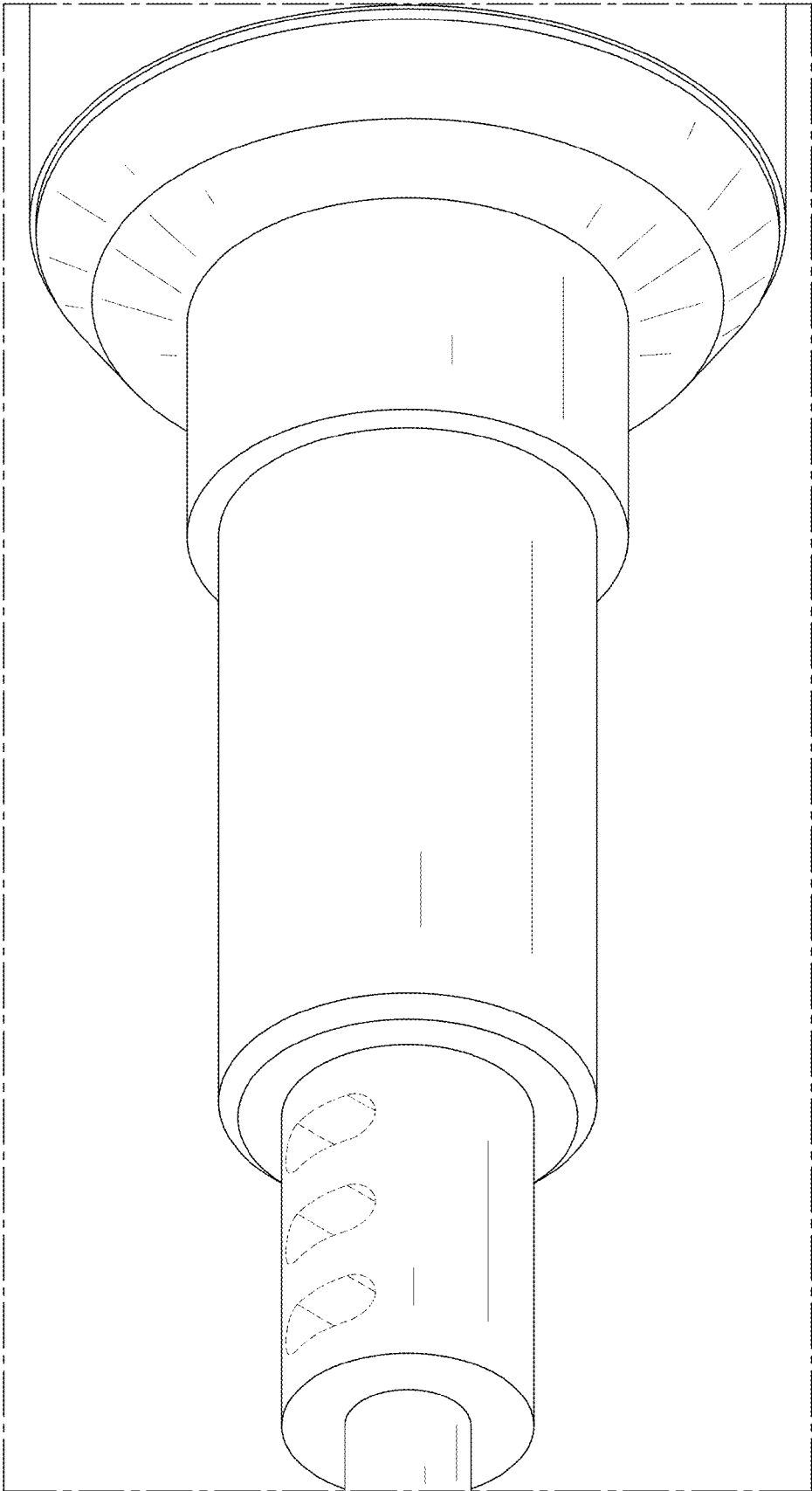


FIG. 10

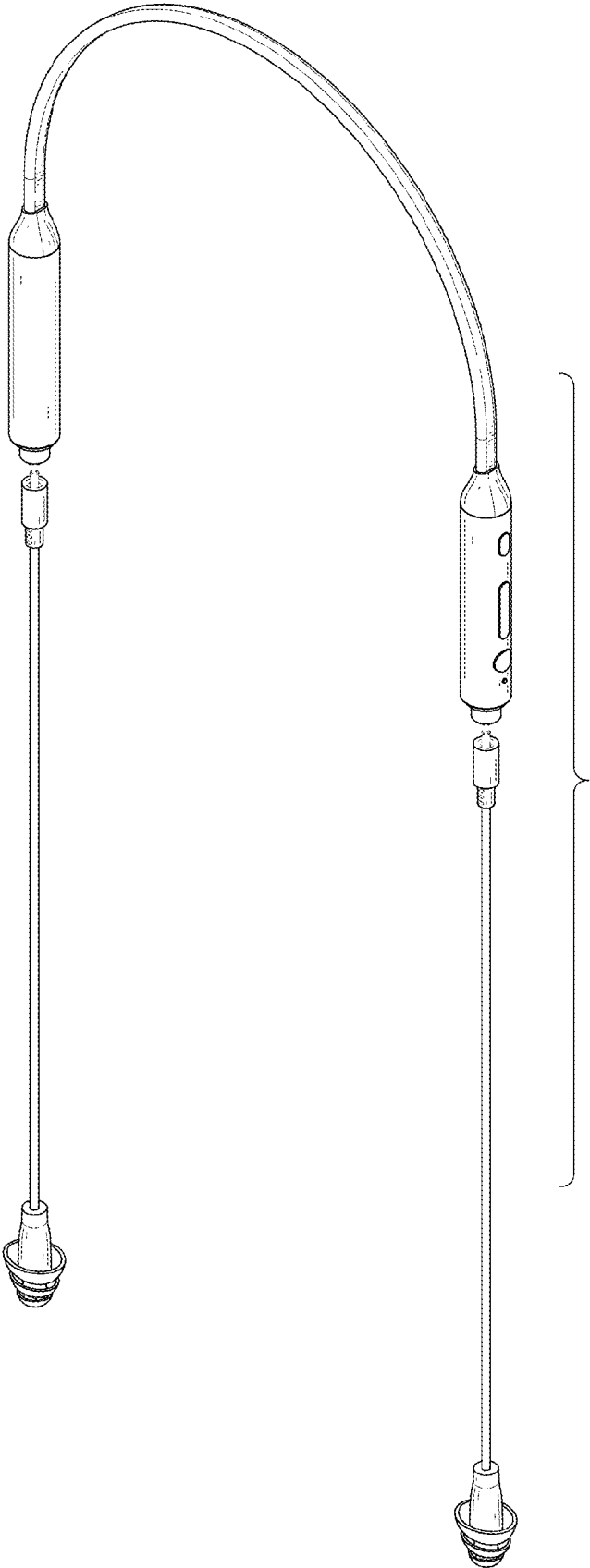


FIG. 11