



US00D526780S

(12) **United States Design Patent** (10) **Patent No.:** **US D526,780 S**
Richardson et al. (45) **Date of Patent:** **** Aug. 22, 2006**

(54) **CASE**
(75) Inventors: **Curtis R. Richardson**, Fort Collins, CO (US); **Douglas A. Kempel**, Fort Collins, CO (US)

5,648,757 A * 7/1997 Vernace et al. 340/539.32
D386,611 S * 11/1997 Sheu
D402,105 S * 12/1998 Erickson
D409,374 S * 5/1999 Laba et al.
D412,062 S * 7/1999 Potter et al.

(73) Assignee: **Otter Products, LLC**, Fort Collins, CO (US)

(Continued)

(**) Term: **14 Years**

OTHER PUBLICATIONS

(21) Appl. No.: **29/209,918**

U.S. Appl. No. 11/077,963, Richardson.
U.S. Appl. No. 10/645,439, Richardson.
U.S. Appl. No. 29/205,706, Richardson et al.
U.S. Appl. No. 29/205,708, Richardson et al.
U.S. Appl. No. 29/205,723, Richardson et al.
U.S. Appl. No. 29/205,722, Richardson et al.
U.S. Appl. No. 29/205,848, Morine et al.
U.S. Appl. No. 10/937,048, Richardson et al.
U.S. Appl. No. 29/211,554, Richardson et al.
U.S. Appl. No. 29/217,612, Richardson et al.
U.S. Appl. No. 29/217,613, Richardson et al.
U.S. Appl. No. 29/225,168, Richardson et al.

(22) Filed: **Jul. 22, 2004**

(51) **LOC (8) Cl.** **03-01**
(52) **U.S. Cl.** **D3/273; D3/218**
(58) **Field of Classification Search** D3/215,
D3/218-219, 273, 301-302, 905; D14/432,
D14/440, 443

See application file for complete search history.

(56) **References Cited**

Primary Examiner—Philip S. Hyder
Assistant Examiner—RoseLynne (Ulm) Cody
(74) *Attorney, Agent, or Firm*—Cochran Freund & Young LLC; Willam W. Cochran

U.S. PATENT DOCUMENTS

2,392,787 A 1/1946 Vermot
D216,853 S * 3/1970 Schurman
D220,233 S * 3/1971 Schurman
3,590,988 A 7/1971 Hollar
D275,822 S 10/1984 Gatland et al.
4,703,161 A 10/1987 McLean
D293,977 S * 2/1988 Ito et al. D3/219
4,762,227 A 8/1988 Patterson
5,092,459 A 3/1992 Uljanic et al.
D327,646 S * 7/1992 Hardigg et al.
D329,747 S * 9/1992 Embree
D330,329 S * 10/1992 Brightbill
5,175,873 A 12/1992 Goldenberg et al.
D334,534 S * 4/1993 Friz et al. D9/415
D335,220 S * 5/1993 Ward et al.
D342,609 S * 12/1993 Brightbill
D347,324 S 5/1994 Dickenson
D347,732 S * 6/1994 Wentz
D353,048 S 12/1994 VanSkiver et al.
D374,988 S * 10/1996 Hillinger D3/294
D381,512 S * 7/1997 Green

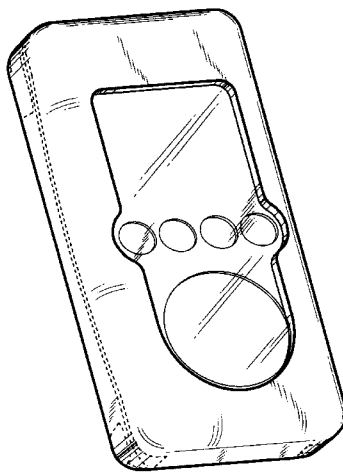
(57) **CLAIM**

The ornamental design for a case, as shown and described.

DESCRIPTION

FIG. 1 is an isometric view of a case showing my new design.
FIG. 2 is a front view thereof.
FIG. 3 is a top view thereof.
FIG. 4 is a right side view thereof.
FIG. 5 is a left side view thereof.
FIG. 6 is a bottom view thereof; and,
FIG. 7 is a rear view thereof.
The broken line portions of the disclosure are for illustrative purposes only and form no part of the claimed design.

1 Claim, 7 Drawing Sheets



US D526,780 S

Page 2

U.S. PATENT DOCUMENTS

D413,202 S	8/1999	Schmitt et al.	D450,054 S *	11/2001	Dworkin	D14/443
D413,203 S	8/1999	Zurwelle et al.	6,313,892 B1	11/2001	Gleckman	
D419,297 S	1/2000	Richardson et al.	6,317,313 B1	11/2001	Mosgrove et al.	
D419,767 S	2/2000	Richardson et al.	6,388,877 B1	5/2002	Canova, Jr. et al.	
D419,768 S	2/2000	Richardson et al.	6,415,138 B1	7/2002	Sirola et al.	
6,031,524 A	2/2000	Kunert	D463,425 S *	9/2002	Jenkins	D14/347
6,041,924 A	3/2000	Tajima	6,445,577 B1	9/2002	Madsen et al.	
6,049,813 A	4/2000	Danielson et al.	6,456,487 B1	9/2002	Hetterick et al.	
D423,772 S	5/2000	Cooper et al.	D464,196 S *	10/2002	Parker	
6,068,119 A	5/2000	Derr et al.	6,471,056 B1	10/2002	Tzeng	
6,078,792 A *	6/2000	Phillips	D465,330 S *	11/2002	Parker	
D429,884 S	8/2000	Zurwelle et al.	D470,659 S *	2/2003	Story et al.	
6,094,785 A	8/2000	Montgomery et al.	6,519,141 B1	2/2003	Tseng et al.	
D433,798 S *	11/2000	Weinstock	6,536,589 B1	3/2003	Chang	
D439,407 S	3/2001	Parker	D472,384 S	4/2003	Richardson	
6,215,474 B1	4/2001	Shah	6,574,098 B1 *	6/2003	Netzel et al.	361/683
D441,954 S *	5/2001	Parker	6,646,864 B1 *	11/2003	Richardson et al.	
6,239,968 B1	5/2001	Kim et al.	6,665,174 B1	12/2003	Derr et al.	
D443,133 S	6/2001	Richardson et al.	D491,543 S *	6/2004	Chang et al.	D14/138
D445,106 S *	7/2001	Mosgrove et al.	2002/0101707 A1	8/2002	Canova et al.	
6,273,252 B1	8/2001	Mitchell	2002/0126440 A1 *	9/2002	Webb et al.	361/680
6,301,100 B1	10/2001	Iwata	2003/0011808 A1 *	1/2003	Wu	358/1.15

* cited by examiner

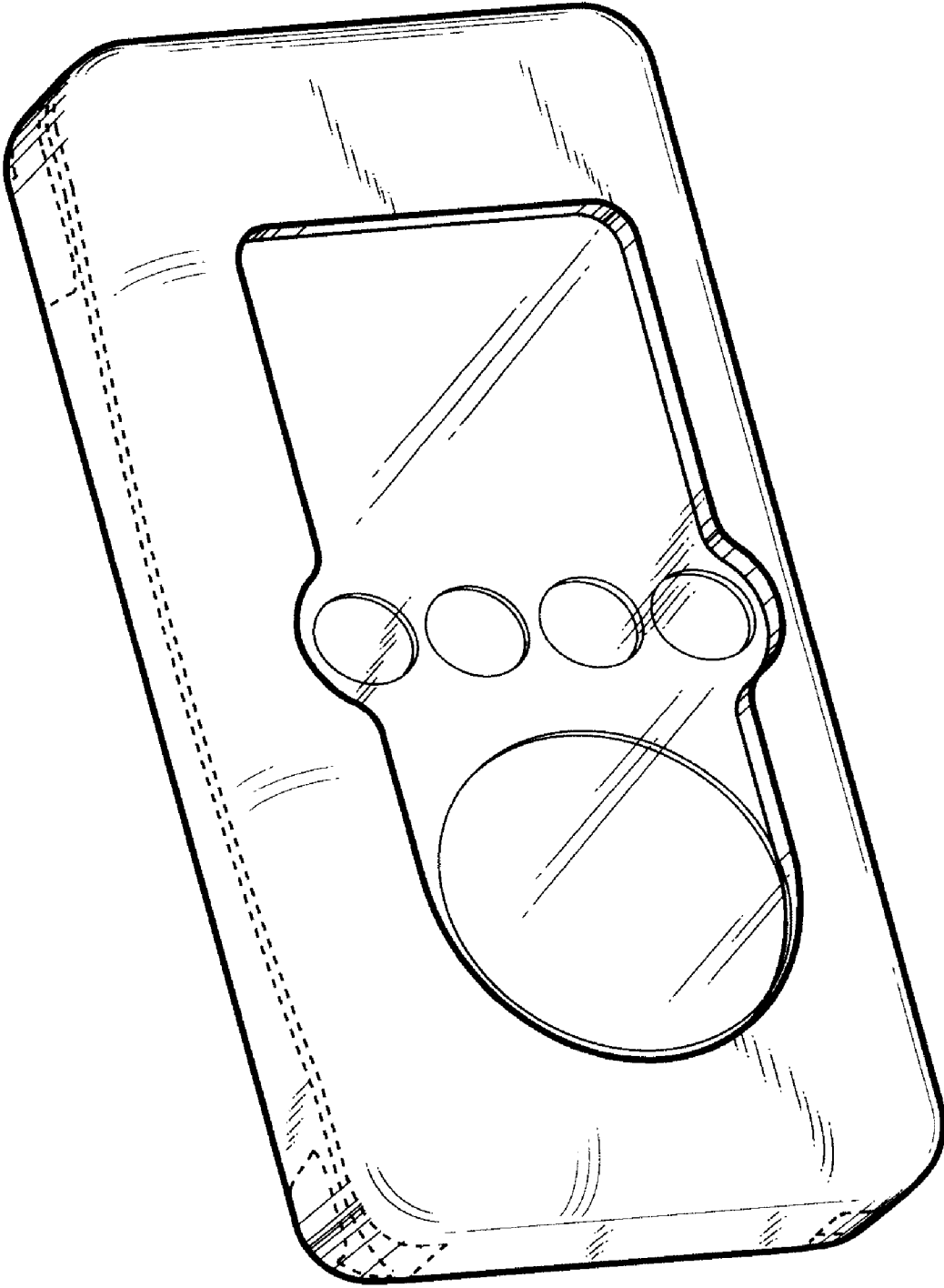


FIG. 1

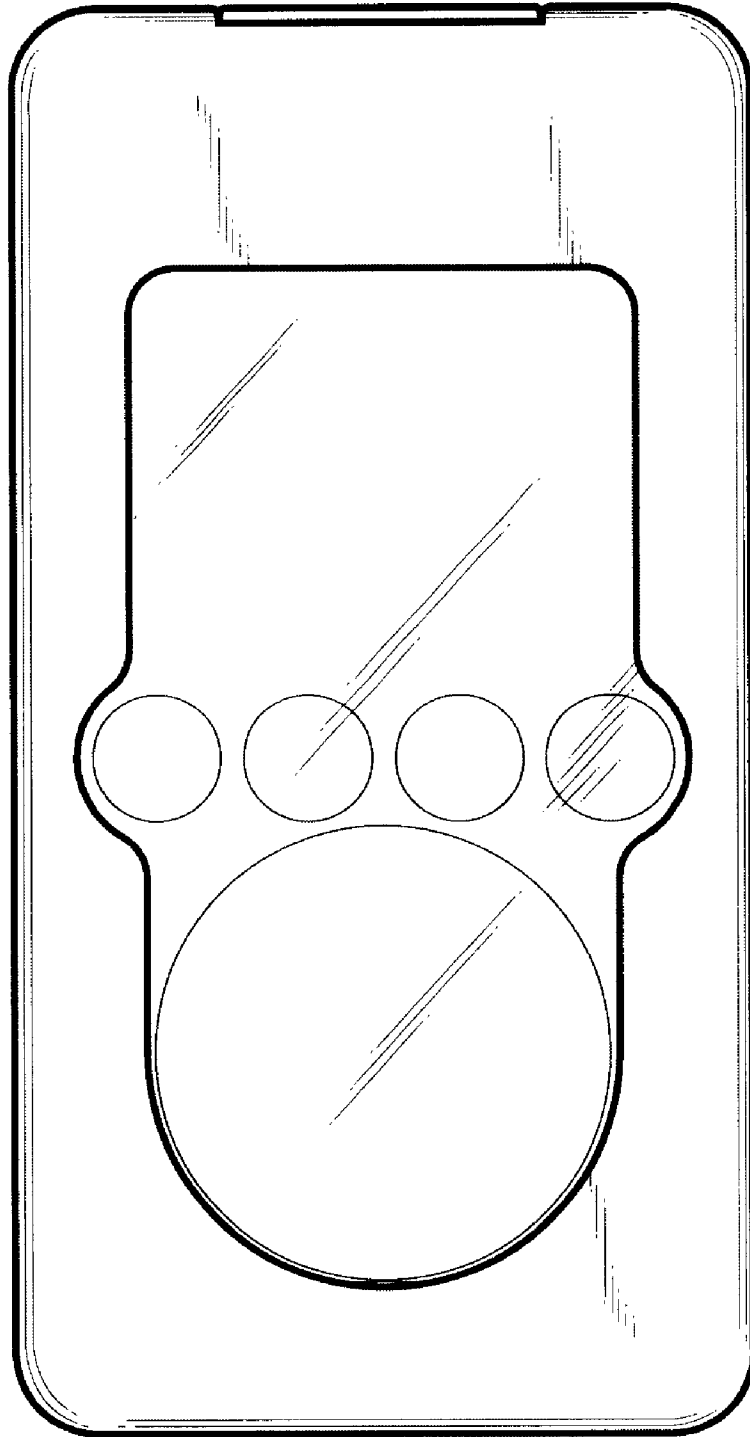


FIG. 2

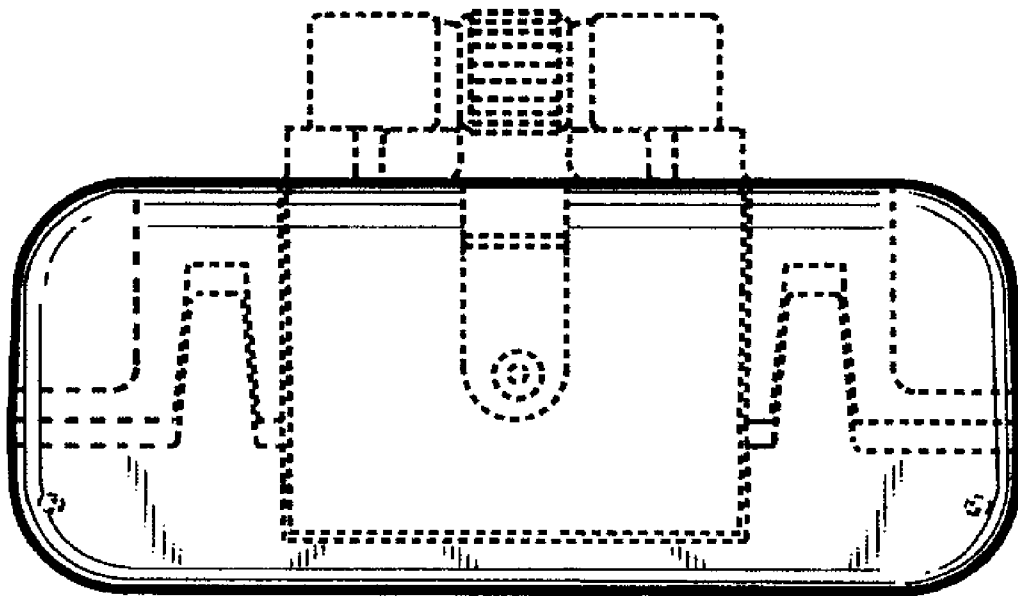


FIG. 3

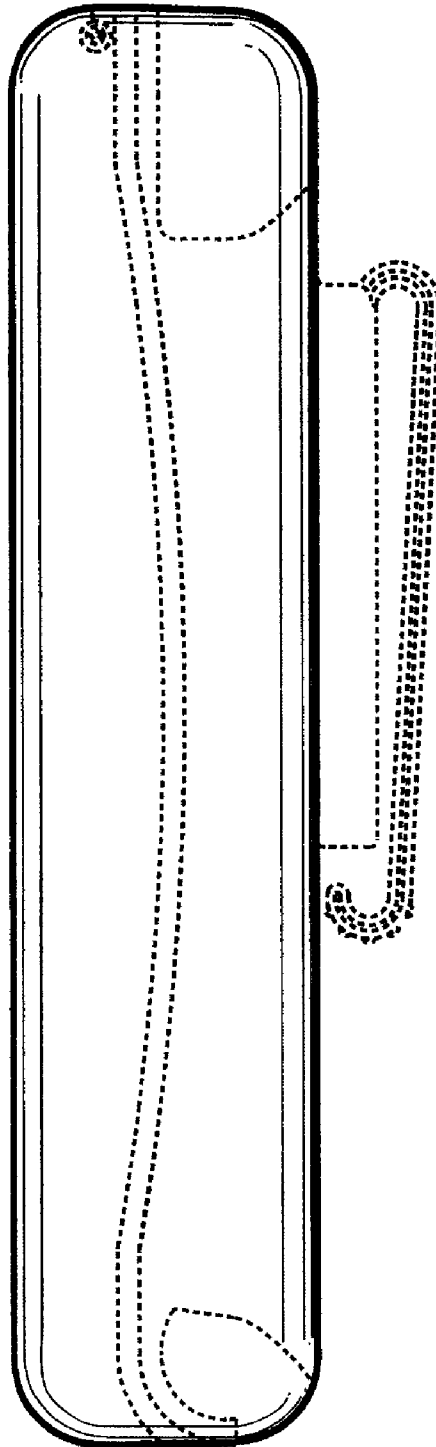


FIG. 4

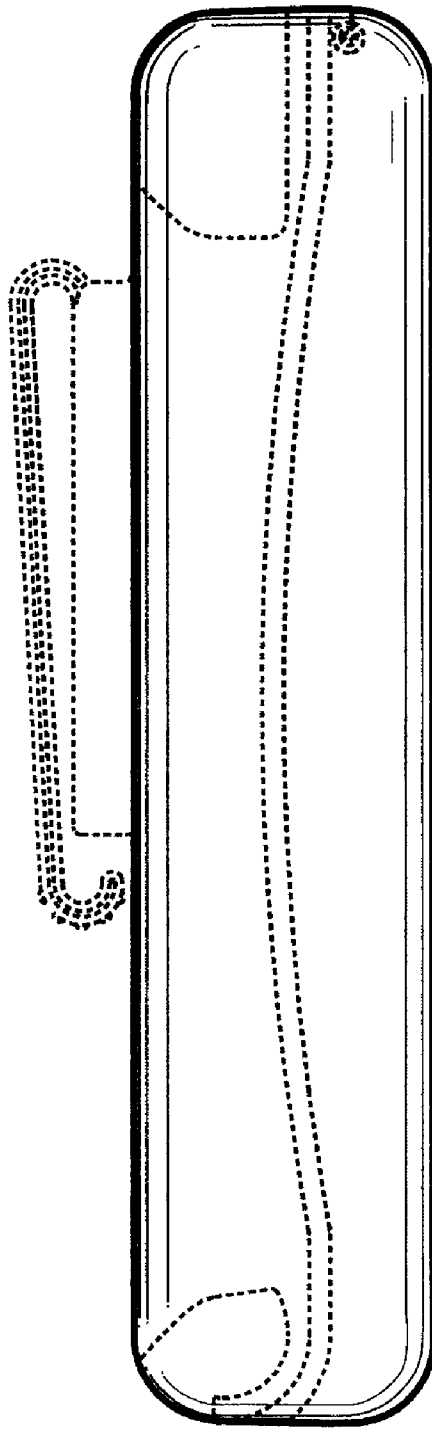


FIG. 5

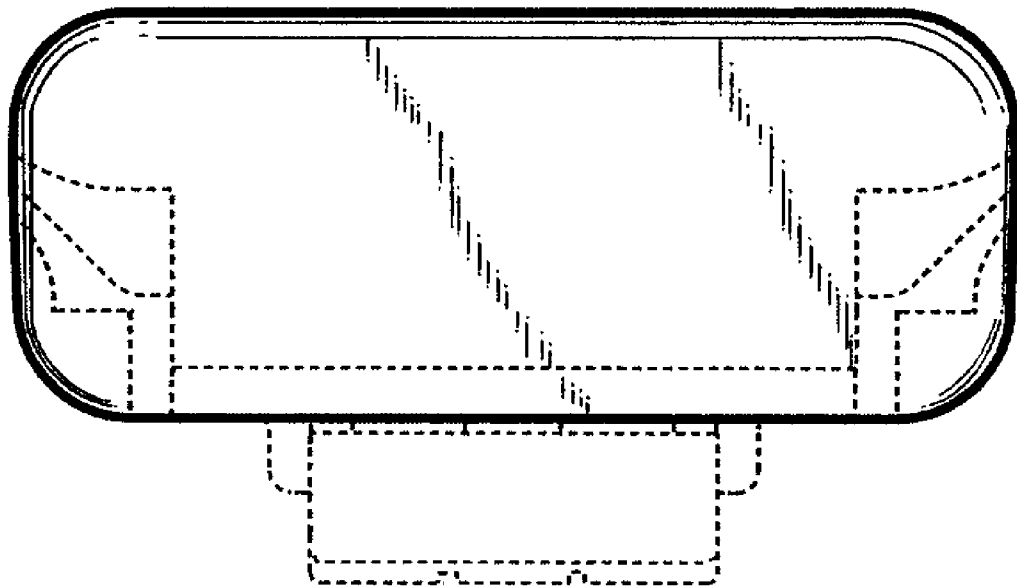


FIG. 6

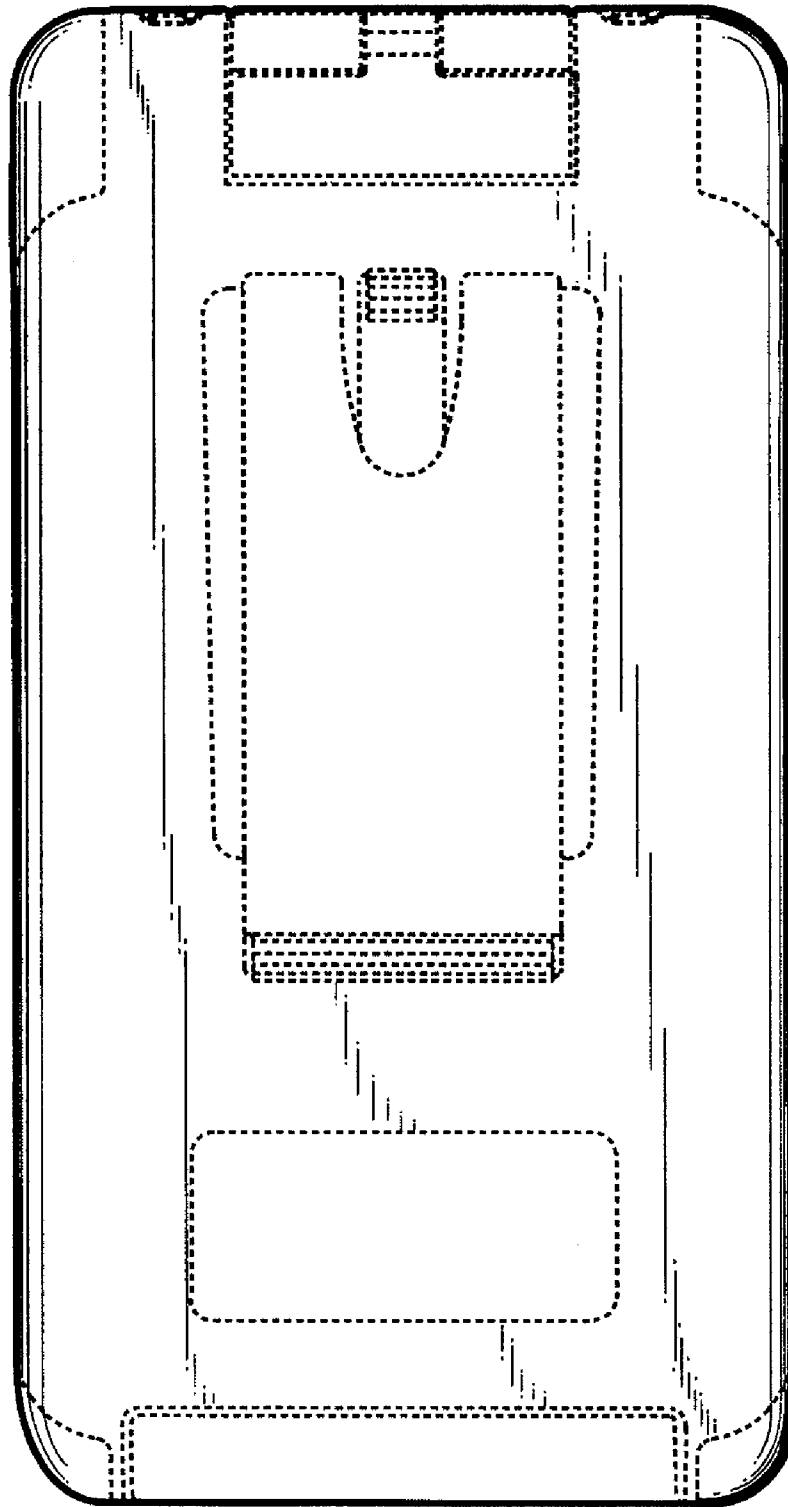


FIG. 7