



US00D953604S

(12) **United States Design Patent**
Iwasaki

(10) **Patent No.:** **US D953,604 S**

(45) **Date of Patent:** **** May 31, 2022**

- (54) **LAMP**
- (71) Applicant: **VIBIA LIGHTING, S.L.U.**, Gavà (ES)
- (72) Inventor: **Ichiro Iwasaki**, Tokyo (JP)
- (73) Assignee: **VIBIA LIGHTING, S.L.U.**, Gavà (ES)
- (**) Term: **15 Years**
- (21) Appl. No.: **35/511,207**
- (22) Filed: **Oct. 6, 2020**

D465,872 S *	11/2002	Cacaci	D26/90
D492,440 S *	6/2004	Parres	D26/85
D520,670 S *	5/2006	Wachter	D26/142
D581,087 S *	11/2008	Sabernig	D26/88
D640,823 S *	6/2011	Hokazono	D26/89
D655,849 S *	3/2012	Sabernig	D26/85
D655,855 S *	3/2012	Sabernig	D26/89
D659,883 S *	5/2012	Herremans	D26/88
D702,869 S *	4/2014	Kondou	D26/88
D770,076 S *	10/2016	Li	D26/89
D779,706 S *	2/2017	Starck	D26/110
D841,868 S *	2/2019	Xu	D26/89
D869,735 S *	12/2019	Babutzka	D26/88
D876,707 S *	2/2020	Tang	D26/110
D877,393 S *	3/2020	Yu	D26/88
D889,021 S *	6/2020	De Silva	D26/88
D889,726 S *	7/2020	Gismondi	D26/88
D911,585 S *	2/2021	Anastasiades	D26/88
D936,271 S *	11/2021	Pardo	D26/86

- (80) **Hague Agreement Data**
- Int. Filing Date: **Oct. 6, 2020**
- Int. Reg. No.: **DM/212105**
- Int. Reg. Date: **Oct. 6, 2020**
- Int. Reg. Pub. Date: **Jan. 22, 2021**

* cited by examiner

Primary Examiner — Natasha Vujcic

(74) *Attorney, Agent, or Firm* — McCormick, Paulding & Huber PLLC

- (51) **LOC (13) CL.** **26-05**
- (52) **U.S. CL.**
- USPC **D26/88**

(57) **CLAIM**

The ornamental design for a lamp, as shown and described.

- (58) **Field of Classification Search**
- USPC D26/76, 78, 79, 80, 81, 83, 85, 86, 88, D26/89, 90, 93, 111, 118, 119, 120, 121, D26/122, 138, 140, 141, 142, 152
- CPC F21S 2/00; F21S 4/00; F21S 4/003; F21S 4/005; F21S 4/006; F21S 4/007; F21S 4/008; F21S 6/00; F21S 8/00; F21S 8/024; F21S 8/026; F21S 8/031; F21S 8/033; F21S 8/035-037; F21S 8/04; F21S 8/043; F21S 8/063
- See application file for complete search history.

DESCRIPTION

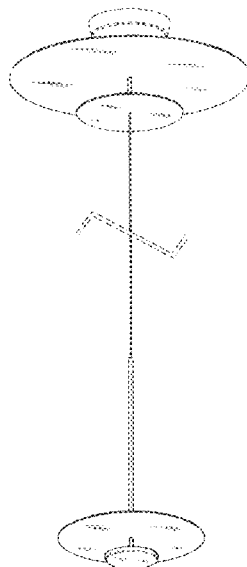
- 1. Lamp
- 1.1** : Perspective
- 1.2** : Perspective
- 1.3** : Front
- 1.4** : Top
- 1.5** : Bottom

The broken lines in the drawings illustrate portions of the lamp and break lines which form no part of the claimed design; the break lines in figures indicate that the appearance of any portion of the lamp between the break lines forms no part of the claimed design.

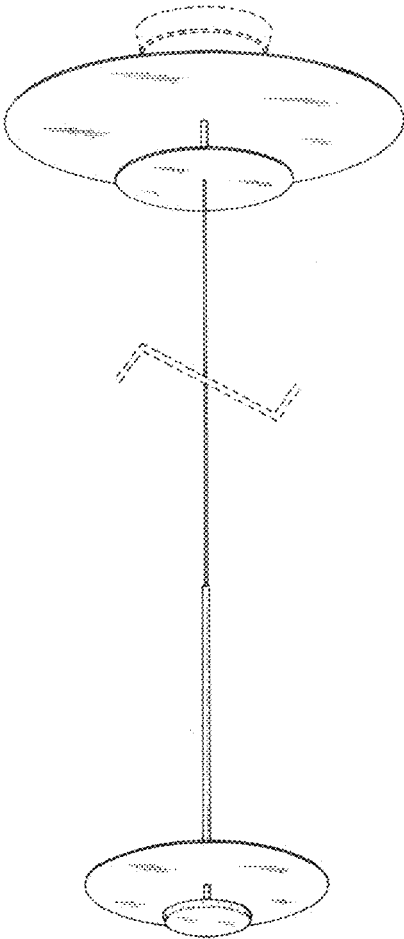
- (56) **References Cited**
- U.S. PATENT DOCUMENTS

D108,654 S *	3/1938	Versen	D26/88
D442,315 S *	5/2001	Schaefer	D26/85
D445,941 S *	7/2001	Schaefer	D26/85

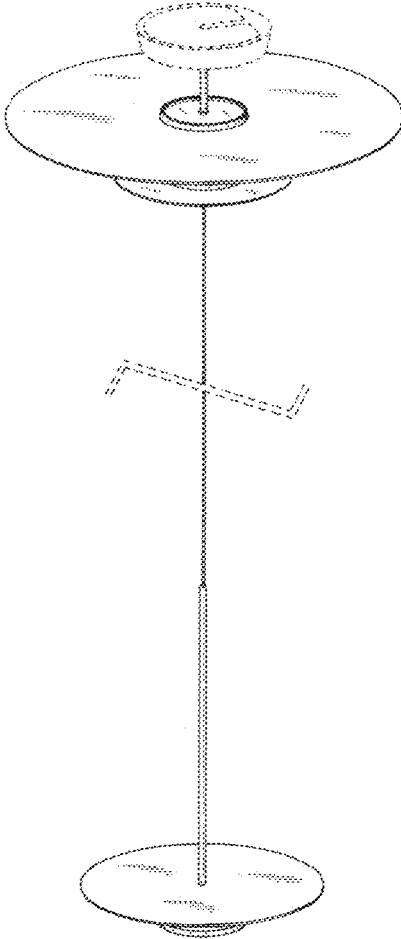
1 Claim, 5 Drawing Sheets



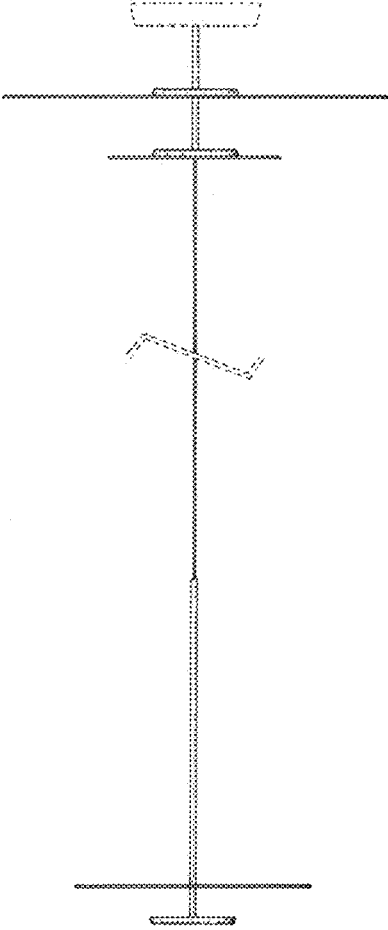
1.1



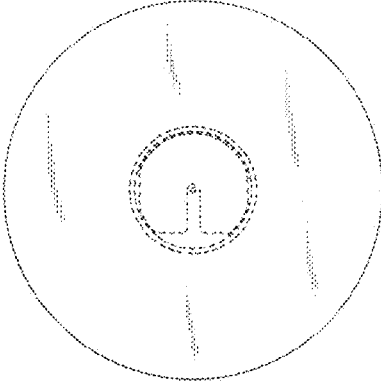
1.2



1.3



1.4



1.5

