

(19) World Intellectual Property Organization
International Bureau



(43) International Publication Date
21 April 2011 (21.04.2011)

PCT

(10) International Publication Number
WO 2011/045443 A1

(51) International Patent Classification:

A61L 31/06 (2006.01) C09D 177/12 (2006.01)
A61L 31/10 (2006.01)

(21) International Application Number:

PCT/EP2010/065663

(22) International Filing Date:

18 October 2010 (18.10.2010)

(25) Filing Language:

English

(26) Publication Language:

English

(30) Priority Data:

09173349.3 16 October 2009 (16.10.2009) EP

(71) Applicant (for all designated States except US): DSM IP ASSETS B.V. [NL/NL]; Het Overloon 1, NL-6411 TE Heerlen (NL).

(72) Inventors; and

(75) Inventors/Applicants (for US only): MIHOV, George [BG/NL]; Adelbert van Scharnlaan R13, NL-6226 EX Maastricht (NL). FRANKEN, Astrid [DE/DE]; Willibrordustrasse 7, 52441 Linnich (DE). MESSIER, Kenneth Alan [NL/NL]; Wilhelminasingel 90 D01, NL-6221 BL Maastricht (NL).

(74) Agent: VANDEVLIJVER, Pascale; P.O. Box 9, NL-6160 MA Geleen (NL).

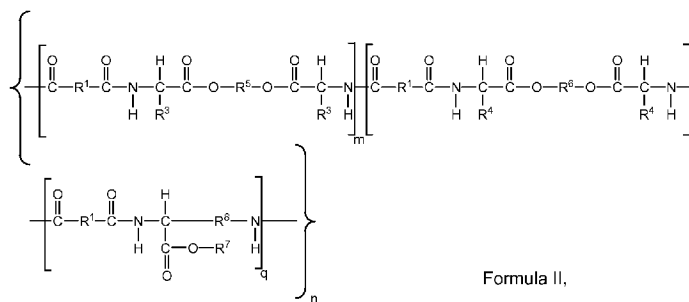
(81) Designated States (unless otherwise indicated, for every kind of national protection available): AE, AG, AL, AM, AO, AT, AU, AZ, BA, BB, BG, BH, BR, BW, BY, BZ, CA, CH, CL, CN, CO, CR, CU, CZ, DE, DK, DM, DO, DZ, EC, EE, EG, ES, FI, GB, GD, GE, GH, GM, GT, HN, HR, HU, ID, IL, IN, IS, JP, KE, KG, KM, KN, KP, KR, KZ, LA, LC, LK, LR, LS, LT, LU, LY, MA, MD, ME, MG, MK, MN, MW, MX, MY, MZ, NA, NG, NI, NO, NZ, OM, PE, PG, PH, PL, PT, RO, RS, RU, SC, SD, SE, SG, SK, SL, SM, ST, SV, SY, TH, TJ, TM, TN, TR, TT, TZ, UA, UG, US, UZ, VC, VN, ZA, ZM, ZW.

(84) Designated States (unless otherwise indicated, for every kind of regional protection available): ARIPO (BW, GH, GM, KE, LR, LS, MW, MZ, NA, SD, SL, SZ, TZ, UG, ZM, ZW), Eurasian (AM, AZ, BY, KG, KZ, MD, RU, TJ, TM), European (AL, AT, BE, BG, CH, CY, CZ, DE, DK, EE, ES, FI, FR, GB, GR, HR, HU, IE, IS, IT, LT, LU, LV, MC, MK, MT, NL, NO, PL, PT, RO, RS, SE, SI, SK, SM, TR), OAPI (BF, BJ, CF, CG, CI, CM, GA, GN, GQ, GW, ML, MR, NE, SN, TD, TG).

Published:

— with international search report (Art. 21(3))

(54) Title: COATINGS COMPRISING BIS-(ALPHA-AMINO-DIOL-DIESTER) CONTAINING POLYESTERAMIDE



Formula II,

Formula (a) : (CH₃)₂-CH-CH₂-, H₂N-(CH₂)₄-, Ph-CH₂-, CH=C-CH₂-,



WO 2011/045443 A1

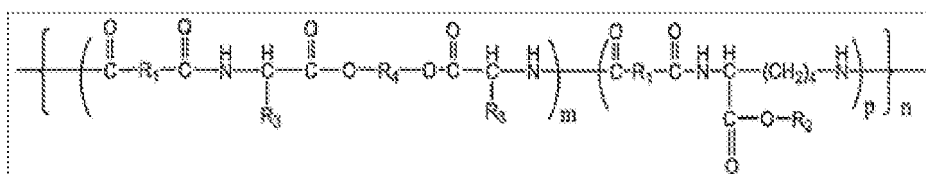
(57) Abstract: The present invention relates to a coating comprising at least one biodegradable polymer, wherein the polymer comprises at least one or a blend of a poly (ester amide) (PEA) having a chemical formula described by structural formula (II), wherein; R₁ is independently selected from the group consisting of (C₂-C₂₀)alkylene, (C₂-C₂₀)alkenylene, -(R₉-CO-O-R₁₀-O-CO-R₉)-, CH R₁₁-O-CO-R₁₂-COOCR₁₁- and combinations thereof; R₃ and R₄ in a single co-monomer m or p, respectively, are independently selected from the group consisting of hydrogen, (C₁-C₆)alkyl, (C₂-C₆)alkenyl, (C₂-C₆)alkynyl, (C₆-C₁₀)aryl, (C₁C₆)alkyl, -(CH₂)₂SH, -(CH₂)₂S(CH₃), CH₂OH, -CH(OH)CH₃, -(CH₂)₄NH₃⁺, ~(CH₂)₃NHC(=NH₂⁺)NH₂, -CH₂COOH, (CH₂)COOH, -CH₂-CO-NH₂ -CH₂CH₂-CO-NH₂, - -CH₂CH₂COOH, CH₃-CH₂-CH(CH₃)-, formula (a), HO-p-Ph-CH₂-, (CH₃)₂-CH-, Ph-NH-, NH-(CH₂)₃-C-, NH-CH=N-CH=C-CH₂-. R₅ or R₆ are independently selected from bicyclic-fragments of 1,4:3,6- dianhydrohexitols or from the group consisting of (C₂-C₂₀)alkylene, (C₂-C₂₀)alkenylene, alkyloxy, oligoethyleneglycol with a Mw ranging from 44 Da up to 700 Da, -CH₂-CH-(CH₂OH)₂, CH₂CH(OH)CH₂ whereby R₅ and R₆ are non identical. R₇ is hydrogen, (C₆-C₁₀) aryl, (C₁C₆) alkyl or a protecting group such as benzyl- or a bioactive agent; R₈ is independently (C₁-C₂₀) alkyl or (C₂-C₂₀)alkenyl; R₉ or R₁₀ are independently selected from C₂-C₁₂ alkylene or C₂-C₁₂ alkenylene and R₁₁ or R₁₂ are independently selected from H, methyl, C₂-C₁₂ alkylene or C₂-C₁₂ alkenylene.

COATINGS COMPRISING BIS-(ALPHA-AMINO-DIOL-DIESTER) CONTAINING
POLYESTERAMIDE

The present invention relates to coatings comprising α -amino acid-
5 diol-diester containing polyesteramides (PEA).

α -amino acid-diol-diester based polyesteramides (PEA) are well
known in the art and disclosed by G. Tsitlanadze, et al. J. Biomater. Sci. Polym. Edn.
(2004) 15:1-24 who showed enzyme-mediated surface degradation and a low
inflammation profile (K. DeFife et al. Transcatheter Cardiovascular Therapeutics--TCT
10 2004 Conference). These properties make the PEA excellent materials for a variety of
different medical and pharmaceutical applications. The physical and mechanical
properties as well as biodegradable profiles can be adjusted simply by varying three
components in the building blocks during their synthesis the alpha -amino acids, the
diols and the aliphatic dicarboxylic acids.

15 Coatings comprising α -amino acid-diol-diester based
polyesteramides and the use of these polymers on a medical device such as a stent
are disclosed in EP-A-1603485. EP-A-1603485 relates to coatings comprising alpha-
amino acid-diol-diester based polyesteramides (PEA) of formula I, further referred to as
PEA-I,



20

Formula I

wherein:

- m is about 0.1 to about 0.9; p is about 0.9 to about 0.1; n is about 50 to about 150;
- each R₁ is independently (C₁-C₂₀)alkylene; each R₂ is independently
25 hydrogen, or (C₆-C₁₀)aryl(C₁-C₆)alkyl;
- each R₃ is independently hydrogen, (C₁-C₆) alkyl, (C₂-C₆)alkenyl, (C₂-
C₆)alkynyl, or (C₆-C₁₀)aryl(C₁-C₆)alkyl; and each R₄ is independently (C₂-
C₂₀)alkylene.

30 PEA-I is a copolymer comprising alpha -amino acids, diols and an
aliphatic dicarboxylic acids, which is copolymerized with an aliphatic dicarboxylic acid
and lysine. A bioactive agent may covalently bound to the carboxylic group of the lysine
part.

As shown in the examples coatings of PEA-I have been tested together with a covalently bound bioactive agent such as 4-amine TEMPO on stents. The polymer was shown to be a safe form of a bioabsorbable polymer. The application is however silent about the release of the bioactive agent 4-amine-TEMPO out of the PEA-I coating.

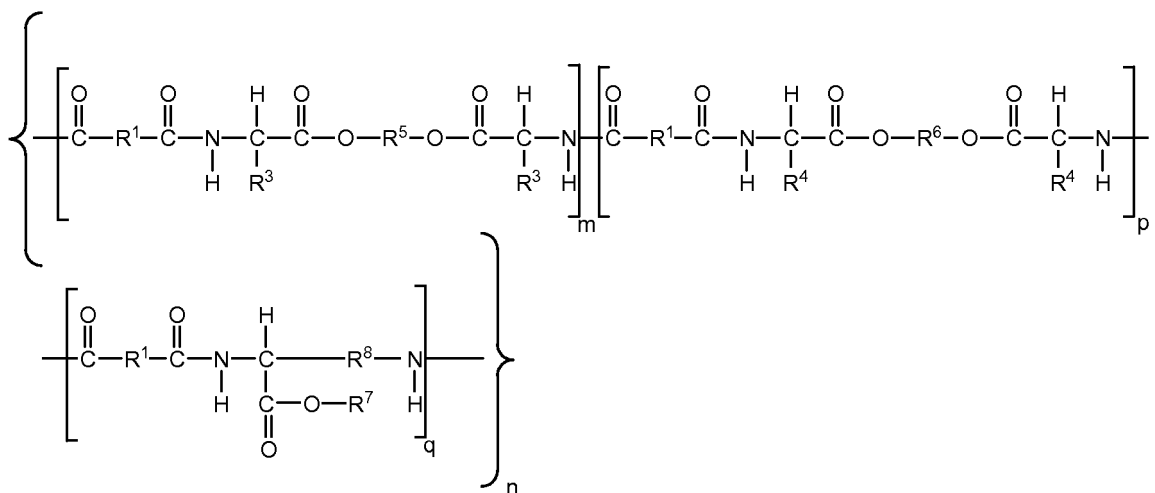
There is however a need for coatings, comprising PEA's and bioactive agents, from which the release is uniform and from which the release rate of the bioactive agents can be tailored.

The object of the present invention is therefore to provide a coating comprising PEA and a bioactive agent from which the release and release rate can be easily tuned.

A further object of the present invention is to provide a coating comprising PEA and a bioactive agent from which the release pattern is uniform, not showing a burst release in the first 24 hours.

Another object of the present invention is to provide a coating comprising PEA and a bioactive agent from which a release pattern can be shown on a longer term.

The object of the present invention is achieved by providing a coating comprising at least one biodegradable polymer and a dispersed bioactive agent wherein the polymer comprises at least one or a blend of a poly (ester amide) (PEA) having a chemical formula described by structural formula (II),



Formula II

25 wherein

- m is about 0.01 to about 0.99; p is about 0.99 to about 0.01; and q is about 0.99 to 0.01; and wherein n is about 5 to about 100; and wherein
 - R₁ is independently selected from the group consisting of (C₂-C₂₀)alkylene, (C₂-C₂₀)alkenylene, -(R₉-CO-O-R₁₀-O-CO-R₉)-,

5 -CHR₁₁-O-CO-R₁₂-COOCR₁₁- and combinations thereof;
 - R₃ and R₄ in a single co-monomer m or p, respectively, are independently selected from the group consisting of hydrogen, (C₁-C₆)alkyl, (C₂-C₆)alkenyl, (C₂-C₆)alkynyl, (C₆-C₁₀)aryl, (C₁-C₆)alkyl, -(CH₂)SH, -(CH₂)₂S(CH₃), -CH₂OH, -CH(OH)CH₃, -(CH₂)₄NH₃⁺, -(CH₂)₃NHC(=NH₂⁺)NH₂, -CH₂COOH,

10 -(CH₂)COOH, -CH₂-CO-NH₂, -CH₂CH₂-CO-NH₂, -- -CH₂CH₂COOH, CH₃-CH₂-CH(CH₃)-, (CH₃)₂-CH-CH₂-, H₂N-(CH₂)₄-, Ph-CH₂-, CH=C-CH₂-, HO-p-Ph-CH₂-, (CH₃)₂-CH-, Ph-NH-, NH-(CH₂)₃-C-, NH-CH=N-CH=C-CH₂-.
 - R₅ or R₆ are independently selected from bicyclic-fragments of 1,4:3,6-dianhydrohexitols or from the group consisting of (C₂-C₂₀)alkylene, (C₂-C₂₀)alkenylene, alkyloxy, oligoethyleneglycol with a Mw ranging from 44 Da up to 700 Da, -CH₂-CH-(CH₂OH)₂, CH₂CH(OH)CH₂ and whereby R₅ and R₆ are non identical and whereby at least one of R₅ or R₆ is a bicyclic-fragment of 1,4:3,6-dianhydrohexitols,

15
 - R₇ is hydrogen, (C₆-C₁₀) aryl, (C₁-C₆) alkyl or a protecting group such as benzyl- or a bioactive agent;

20
 - R₈ is independently (C₁-C₂₀) alkyl or (C₂-C₂₀)alkenyl;
 - R₉ or R₁₀ are independently selected from C₂-C₁₂ alkylene or C₂-C₁₂ alkenylene.
 - R₁₁ or R₁₂ are independently selected from H, methyl, C₂-C₁₂ alkylene or C₂-C₁₂ alkenylene

25
- suitable for coating an implantable device.

The coating of the present invention is based on a polyesteramide comprising an extra block p compared to the above disclosed prior art PEA's of Formula I. This kind of PEA blockcopolymers has been found to provide excellent properties in terms of release of a bioactive agent and provide excellent properties in tuning the release of bioactive agents by adjusting the amount of m, p, q blocks. Moreover it has been found that this polymer is holding the drug without being covalently bound so that an initial burst release can be avoided. The coating moreover ensures a uniform release of the bioactive agents for at least 20 days.

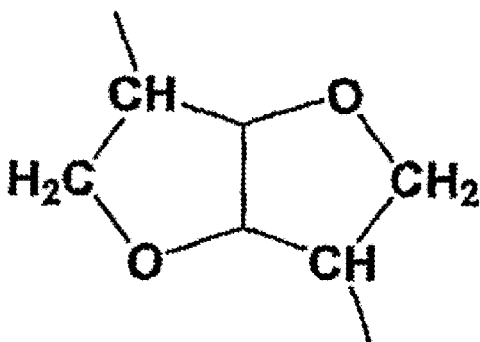
30

The PEA polymers as such are known in the art and disclosed in US2008/0299174. US2008/0299174 discloses the PEA polymers based on bis-(α -amino acid)- diol-diester containing two bis-(α -amino acid)-based building blocks and shows the polymers to provide a significant improvement in mechanical properties.

5 Incorporation of at least two linear saturated or unsaturated aliphatic diol residues into the two bis-(α -amino acid)-based (e.g. bis-(α -amino acid)-diol-diester co-monomers of a PEA), increases the elongation properties of the resulting polymer. The PEA co-polymers seem to be suitable for certain applications requiring a combination of hydrophobicity, relatively high glass transition temperature (T_g), and properties of
 10 variable elongation or flexibility. Furthermore methods are disclosed for fixing a fixation device made of the PEA's into the internal body site. The device biodegrades to create substantially biocompatible breakdown products while fixing the internal body site. Also biocompatible surgical devices fabricated using the PEA compositions are disclosed. The disclosure is however silent about coatings based on the PEA's for the release of
 15 bioactive agents.

Accordingly, in a preferred embodiment, the invention provides coatings comprising PEA co-polymer compositions having a chemical structure described by general structural formula (II): wherein

- m is about 0.01 to about 0.99; p is about 0.99 to about 0.01; and q is about 0.99 to 0.01; and wherein n is about 5 to about 100; and
- R_1 is independently selected from the group consisting of (C_2 - C_{10})alkylene such as $(CH_2)_4$ or $(CH_2)_8$ or (C_2 - C_{20})alkenylene, and combinations thereof;
- R_3 s and R_4 s in a single co-monomer m or p, respectively, are independently selected from the group consisting of hydrogen, (C_1 - C_6)alkyl, (C_2 - C_6)alkenyl, (C_2 - C_6)alkynyl, (C_6 - C_{10})aryl (C_1 - C_6)alkyl and $-(CH_2)_2S(CH_3)$;
- R_5 is selected from bicyclic-fragments of 1,4:3,6-dianhydrohexitols of structural formula (III);



Formula III

- R₆ is selected from the group consisting of (C₂-C₂₀)alkylene such as cyclohexanediol, (C₂-C₂₀)alkenylene or alkyloxy;
- R₇ is benzyl and
- R₈ is independently (C₃-C₆) alkyl or (C₃-C₆) alkenyl.

5 As used herein, the term "alkyl", refers to a straight or branched chain hydrocarbon group including methyl, ethyl, n-propyl, isopropyl, n-butyl, isobutyl, tert-butyl, n-hexyl, and the like.

 As used herein, "alkenyl" or "alkenylene", refers to structural formulas herein to mean a divalent branched or unbranched hydrocarbon chain containing at
10 least one unsaturated bond in the main chain or in a side chain.

 As used herein, "alkynyl", refers to straight or branched chain hydrocarbon groups having at least one carbon-carbon triple bond.

 The term "aryl" is used with reference to structural formulas herein to denote a phenyl radical or an ortho-fused bicyclic carbocyclic radical having about nine
15 to ten ring atoms in which at least one ring is aromatic. Examples of aryl include, but are not limited to, phenyl, naphthyl, and nitrophenyl.

 At least one of the alpha -amino acids used in the co-polymers is a natural alpha -amino acid. For example, when the R₃s or R₄s are CH₂Ph, the natural alpha-amino acid used in synthesis is L-phenylalanine. In alternatives wherein the R₃s
20 or R₄s are CH₂--CH(CH₃)₂, the co-polymer contains the natural amino acid, leucine. By independently varying the R₃s and R₄s within variations of the two co-monomers as described herein, other natural alpha -amino acids can also be used, e.g., glycine (when the R₃s or R₄s are H), alanine (when the R₃s or R₄s are CH₃), valine (when the R₃s or R₄s are CH(CH₃)₂), isoleucine (when the R₃s or R₄s are CH(CH₃)--CH₂--CH₃),
25 phenylalanine (when the R₃s or R₄s are CH₂--C₆H₅), lysine (when the R₃s or R₄s (CH₂)₄--NH₂); or methionine (when the R₃s or R₄s are --(CH₂)₂S(CH₃), and mixtures thereof.

 The PEA co-polymers preferably have an average number molecular weight (Mn) ranging from 15,000 to 200,000 Daltons. The PEA co-polymers described
30 herein can be fabricated in a variety of molecular weights and a variety of relative proportions of the two bis-(alpha amino acid)-containing units and optional Lysine-based monomer of the co-polymer. The appropriate molecular weight for a particular use is readily determined by one of skill in the art. A suitable Mn will be in the order of about 15,000 to about 100,000 Daltons, for example from about 30,000 to about

80,000 or from about 35,000 to about 75,000. Mn is measured via GPC in THF with polystyrene as standard.

Further properties and methods of manufacturing the PEA's are disclosed in US2008/0299174 which is herein incorporated by reference.

5 It has been found that the nature of the PEA polymer plays an important role in defining the surface properties of a coating. For example, coating integrity depends largely on the nature of the polymer forming the coating. A polymer providing a very low Tg, will result in an amorphous coating material which has unacceptable rheological behavior upon mechanical perturbation such as crimping,
10 expansion, etc. On the other hand, a polymer providing a high Tg or highly crystalline coating material will become brittle in the high strain areas when for example coated on a medical device. The PEA's used in the coating of the present invention comprise the incorporation of a bicyclic-fragment of 1,4:3,6-dianhydrohexitol as the diol residue in at least one of the two bis (α -amino acid)- based building blocks which confers a (Tg)
15 above body temperature. By further varying the other building blocks in the PEA Tg can be adjusted further. Preferably the Tg of the PEA ranges from about 40 to about 65. Tg is measured by DSC.

Surprisingly it has been found that the release time can be easily tailored by varying the building blocks of the polymer and by varying the amount of the
20 m, p, q blocks in the PEA copolymer. Moreover the polymer/drug ratio plays an important role in the tuning of the release. Preferably the polymer/drug ratio is 60/40 (w%/w%), more preferably the polymer/drug ratio is 70/30 (w%/w%). Still more preferably the polymer/drug ratio is 75/25 (w%/w%). The polymer/drug ratio is however dependent on the nature of the bioactive agent, the application and on the desired
25 coating thickness.

The coating according to the present invention is preferably a single layer coating. It is even more surprising that the release can be tuned from a single layer coating as the prior art coatings normally require more layers to tune the release of the bioactive agents or to adhere the drug containing PEA layer to the surface of the
30 implantable device.

The coating according to the present invention preferably has a thickness from about 1 μm to 100 μm . More preferably the coating has a thickness of about 2-75 μm , still more preferably a thickness of about 2-50 μm , most preferably a thickness of about 2-15 μm . The coating will loose 100% of its mass within about 12
35 months.

The bioactive agent which is dispersed with the PEA can be any agent which is a therapeutic, prophylactic, or diagnostic agent. These agents can have antiproliferative or anti-inflammatory properties or can have other properties such as antineoplastic, antiplatelet, anti-coagulant, anti-fibrin, antithrombotic, antimitotic, antibiotic, antiallergic, or antioxidant properties. Moreover, these agents can be cystostatic agents, agents that promote the healing of the endothelium, or agents that promote the attachment, migration and proliferation of endothelial cells while quenching smooth muscle cell proliferation. Examples of suitable therapeutic and prophylactic agents include synthetic inorganic and organic compounds, proteins and peptides, polysaccharides and other sugars, lipids, and DNA and RNA nucleic acid sequences having therapeutic, prophylactic or diagnostic activities. Nucleic acid sequences include genes, antisense molecules, which bind to complementary DNA to inhibit transcription, and ribozymes. Some other examples of bioactive agents include antibodies, receptor ligands, enzymes, adhesion peptides, blood clotting factors, inhibitors or clot dissolving agents, such as streptokinase and tissue plasminogen activator, antigens for immunization, hormones and growth factors, oligonucleotides such as antisense oligonucleotides and ribozymes and retroviral vectors for use in gene therapy. Examples of antiproliferative agents include rapamycin and its functional or structural derivatives, 40-O-(2-hydroxy)ethyl-rapamycin (everolimus), and its functional or structural derivatives, paclitaxel and its functional and structural derivatives. Examples of rapamycin derivatives include ABT-578, 40-0-(3-hydroxy)propyl-rapamycin, 40-O-[2-(2-hydroxy)ethoxy]ethyl-rapamycin, and 40-0-tetrazole-rapamycin. Examples of paclitaxel derivatives include docetaxel. Examples of antineoplastics and/or antimitotics include methotrexate, azathioprine, vincristine, vinblastine, fluorouracil, doxorubicin hydrochloride (e.g. Adriamycin(R) from Pharmacia AND Upjohn, Peapack NJ.), and mitomycin (e.g. Mutamycin(R) from Bristol-Myers Squibb Co., Stamford, Conn.). Examples of such antiplatelets, anticoagulants, antifibrin, and antithrombins include sodium heparin, low molecular weight heparins, heparinoids, hirudin, argatroban, forskolin, vapiprost, prostacyclin and prostacyclin analogues, dextran, D-phe-pro-arg-chloromethylketone (synthetic antithrombin), dipyridamole, glycoprotein Hb/niA platelet membrane receptor antagonist antibody, recombinant hirudin, thrombin inhibitors such as Angiomax (Biogen, Inc., Cambridge, Mass.), calcium channel blockers (such as nifedipine), colchicine, fibroblast growth factor (FGF) antagonists, fish oil (omega 3-fatty acid), histamine antagonists, lovastatin (an inhibitor of HMG-CoA reductase, a cholesterol lowering drug, brand name Mevacor(R) from Merck AND Co., Inc.,

Whitehouse Station, NJ), monoclonal antibodies (such as those specific for Platelet-Derived Growth Factor (PDGF) receptors), nitroprusside, phosphodiesterase inhibitors, prostaglandin inhibitors, suramin, serotonin blockers, steroids, thioprotease inhibitors, triazolopyrimidine (a PDGF antagonist), super oxide dismutases, super oxide
5 dismutase mimetic, 4-amino-2,2,6,6-tetramethylpiperidine-l-oxyl (4-amino-TEMPO), estradiol, anticancer agents, dietary supplements such as various vitamins, and a combination thereof. Examples of anti-inflammatory agents including steroidal and nonsteroidal anti-inflammatory agents include biolimus, tacrolimus, dexamethasone, clobetasol, corticosteroids or combinations thereof. Examples of such cytostatic
10 substances include angiopeptin, angiotensin converting enzyme inhibitors such as captopril (e.g. Capoten(R) and Capozide(R) from Bristol-Myers Squibb Co., Stamford, Conn.), cilazapril or lisinopril (e.g. Prinivil(R) and Prinzide(R) from Merck AND Co., Inc., Whitehouse Station, NJ). An example of an antiallergic agent is permirolast potassium. Other therapeutic substances or agents which may be appropriate include alpha-
15 interferon, pimecrolimus, imatinib mesylate, midostaurin, and genetically engineered epithelial cells. The foregoing substances can also be used in the form of prodrugs or co-drugs thereof. The foregoing substances also include metabolites thereof and/or prodrugs of the metabolites. The foregoing substances are listed by way of example and are not meant to be limiting.

20 The coating according to the present invention may comprise a further bioactive agent which means a second or even third bioactive agent. That further bioactive agent can be chosen from the above mentioned bioactive agents. Preferably the further bioactive agent is chosen from growth factors (VEGF, FGF, MCP-1, PIGF, antibiotics, anti-inflammatory compounds, antithrombogenic compounds,
25 anti-claudication drugs, anti-arrhythmic drugs, anti-atherosclerotic drugs, antihistamines, cancer drugs, vascular drugs, ophthalmic drugs, amino acids, vitamins, hormones, neurotransmitters, neurohormones, enzymes, imaging agents, signalling molecules and psychoactive medicaments.

 The coating according to the present invention may comprise the
30 dispersed bioactive agent or the further bioactive agent(s) in the form of microparticles, nanoparticles or micelles.

 In a further embodiment the coating according to the present invention may be formed of the PEA polymer described herein alone or with one or more other polymers. Representative polymers include, but are not limited to,
35 poly(ester amide), polyhydroxyalkanoates (PHA), poly(3-hydroxyalkanoates) such as

poly(3- hydroxypropanoate), poly(3-hydroxybutyrate), poly(3-hydroxyvalerate), poly(3-hydroxyhexanoate), poly(3-hydroxyheptanoate) and poly(3-hydroxyoctanoate), poly(4-hydroxyalkanoate) such as poly(4-hydroxybutyrate), poly(4-hydroxyvalerate), poly(4-hydroxyhexanoate), poly(4-hydroxyheptanoate), poly(4-hydroxyoctanoate) and
5 copolymers including any of the 3-hydroxyalkanoate or 4-hydroxyalkanoate monomers described herein or blends thereof, poly(D,L-lactide), poly(L-lactide), polyglycolide, poly(D,L-lactide-co- glycolide), poly(L-lactide-co-glycolide), polycaprolactone, poly(lactide-co-caprolactone), poly(glycolide-co-caprolactone), poly(dioxanone), poly(ortho esters), poly(trimethylene carbonate), poly(anhydrides), poly(tyrosine
10 carbonates) and derivatives thereof, poly(tyrosine ester) and derivatives thereof, poly(imino carbonates), poly(glycolic acid-co-trimethylene carbonate), polyphosphoester, polyphosphoester urethane, poly(amino acids), polycyanoacrylates, poly(iminocarbonate), polyurethanes, polyphosphazenes, silicones, polyesters, polyolefins, polyisobutylene and ethylene-alphaolefin copolymers, acrylic polymers and
15 copolymers, vinyl halide polymers and copolymers, such as polyvinyl chloride, polyvinyl ethers, such as polyvinyl methyl ether, polyvinylidene halides, such as polyvinylidene chloride, polyacrylonitrile, polyvinyl ketones, polyvinyl aromatics, such as polystyrene, polyvinyl esters, such as polyvinyl acetate, copolymers of vinyl monomers with each other and olefins, such as ethylene-methyl methacrylate copolymers, acrylonitrile-
20 styrene copolymers, ABS resins, and ethylene-vinyl acetate copolymers, polyamides, such as Nylon 66 and polycaprolactam, alkyd resins, polycarbonates, polyoxymethylenes, polyimides, polyethers, poly(glyceryl sebacate), poly(propylene fumarate), poly(n-butyl methacrylate), poly(sec-butyl methacrylate), poly(isobutyl methacrylate), poly(tert-butyl methacrylate), poly(n-propyl methacrylate), poly(isopropyl
25 methacrylate), poly(ethyl methacrylate), poly(methyl methacrylate), epoxy resins, polyurethanes, rayon, rayon- triacetate, cellulose acetate, cellulose butyrate, cellulose acetate butyrate, cellophane, cellulose nitrate, cellulose propionate, cellulose ethers, carboxymethyl cellulose, polyethers such as poly(ethylene glycol) (PEG), copoly(ether-
esters) (e.g. PEO/PLA), polyalkylene oxides such as poly(ethylene oxide),
30 poly(propylene oxide), poly(ether ester), polyalkylene oxalates, polyphosphazenes, phosphoryl choline, choline, poly(aspirin), polymers and copolymers of hydroxyl bearing monomers such as HEMA, hydroxypropyl methacrylate (HPMA), hydroxypropylmethacrylamide, PEG acrylate (PEGA), PEG methacrylate, 2-
methacryloyloxyethylphosphorylcholine (MPC) and n-vinyl pyrrolidone (VP), carboxylic
35 acid bearing monomers such as methacrylic acid (MA), acrylic acid (AA),

alkoxymethacrylate, alkoxyacrylate, and 3-trimethylsilylpropyl methacrylate (TMSPMA), poly(styrene-isoprene-styrene)-PEG (SIS-PEG), polystyrene-PEG, polyisobutylene-PEG, polycaprolactone-PEG (PCL-PEG), PLA-PEG, poly(methyl methacrylate)-PEG (PMMA-PEG), polydimethylsiloxane-co-PEG (PDMS-PEG), poly(vinylidene fluoride)-PEG (PVDF-PEG), PLURONIC™ surfactants (polypropylene oxide-co-polyethylene glycol), poly(tetramethylene glycol), hydroxy functional poly(vinyl pyrrolidone), biomolecules such as collagen, chitosan, alginate, fibrin, fibrinogen, cellulose, starch, collagen, dextran, dextrin, fragments and derivatives of hyaluronic acid, heparin, fragments and derivatives of heparin, glycosamino glycan (GAG), GAG derivatives, polysaccharide, elastin, chitosan, alginate, or combinations thereof. In some 10 embodiments, the coating described herein can exclude any one of the aforementioned polymers.

In a still further embodiment, the coating can further include a biobeneficial material. The biobeneficial material can be polymeric or non-polymeric. 15 The biobeneficial material is preferably substantially non-toxic, non-antigenic and non-immunogenic. A biobeneficial material is one that enhances the biocompatibility of a device by being non-fouling, hemocompatible, actively non-thrombogenic, or anti-inflammatory, all without depending on the release of a pharmaceutically active agent.

Representative biobeneficial materials include, but are not limited to, 20 polyethers such as poly(ethylene glycol), copoly(ether-esters) (e.g. PEO/PLA), polyalkylene oxides such as poly(ethylene oxide), poly(propylene oxide), poly(ether ester), polyalkylene oxalates, polyphosphazenes, phosphoryl choline, choline, poly(aspirin), polymers and co-polymers of hydroxyl bearing monomers such as hydroxyethyl methacrylate (HEMA), hydroxypropyl methacrylate (HPMA), 25 hydroxypropylmethacrylamide, poly(ethylene glycol) acrylate (PEGA), PEG methacrylate, 2-methacryloyloxyethylphosphorylcholine (MPC) and «-vinyl pyrrolidone (VP), carboxylic acid bearing monomers such as methacrylic acid (MA), acrylic acid (AA), alkoxyacrylate, alkoxyacrylate, and 3-trimethylsilylpropyl methacrylate (TMSPMA), poly(styrene-isoprene-styrene)-PEG (SIS-PEG), polystyrene-PEG, 30 polyisobutylene-PEG, polycaprolactone-PEG (PCL-PEG), PLA-PEG, poly(methyl methacrylate)-PEG (PMMA-PEG), polydimethylsiloxane-co-PEG (PDMS-PEG), poly(vinylidene fluoride)-PEG (PVDF-PEG), PLURONIC™ surfactants (polypropylene oxide-co-polyethylene glycol), poly(tetramethylene glycol), hydroxy functional poly(vinyl pyrrolidone), biomolecules such as fibrin, fibrinogen, cellulose, starch, collagen, 35 dextran, dextrin, hyaluronic acid, fragments and derivatives of hyaluronic acid, heparin,

fragments and derivatives of heparin, glycosamino glycan (GAG), GAG derivatives, polysaccharide, elastin, chitosan, alginate, silicones, PolyActive™, or combinations thereof. In some embodiments, the coating can exclude any one of the aforementioned polymers. The term PolyActive™ refers to a block copolymer having flexible
5 poly(ethylene glycol) and poly(butylene terephthalate) blocks (PEGTVPBT). PolyActive™ is intended to include AB, ABA, BAB copolymers having such segments of PEG and PBT (e.g., poly(ethylene glycol)-block-poly(butylene terephthalate)-block poly(ethylene glycol) (PEG- PBT-PEG).

The present invention further relates to an implantable device
10 comprising the coating according to the present invention. The implantable device herein can be used to treat, prevent, or ameliorate a medical condition such as atherosclerosis, thrombosis, restenosis, hemorrhage, vascular dissection or perforation, vascular aneurysm, vulnerable plaque, chronic total occlusion, claudication, anastomotic proliferation (for vein and artificial grafts), bile duct.

As used herein, an implantable device may be any suitable medical
15 substrate that can be implanted in a human or veterinary patient. Examples of such medical devices include self- expandable stents, balloon-expandable stents, stent-grafts, grafts (e.g., aortic grafts), heart valve prostheses, cerebrospinal fluid shunts, pacemaker electrodes, catheters, and endocardial leads (e.g., FINELINE and
20 ENDOTAK, available from Guidant Corporation, Santa Clara, CA), anastomotic devices and connectors, orthopedic implants such as screws, spinal implants, and electro-stimulatory devices. The underlying structure of the device can be of virtually any design. The device can be made of a metallic material or an alloy such as, but not limited to, cobalt chromium alloy (ELGILOY), stainless steel (316L), high nitrogen
25 stainless steel, e.g., BIODUR 108, cobalt chrome alloy L-605, "MP35N," "MP20N," ELASTINITE (Nitinol), tantalum, nickel-titanium alloy, platinum-indium alloy, gold, magnesium, or combinations thereof. "MP35N" and "MP20N" are trade names for alloys of cobalt, nickel, chromium and molybdenum available from Standard Press
Steel Co., Jenkintown, PA. "MP35N" consists of 35 percent cobalt, 35 percent nickel,
30 20 percent chromium, and 10 percent molybdenum. "MP20N" consists of 50 percent cobalt, 20 percent nickel, 20 percent chromium, and 10 percent molybdenum. Devices made from bioabsorbable (e.g., bioabsorbable stent) or biostable polymers could also be used with the embodiments of the present invention.

Preferably, the implantable device is a stent. The stent described
35 herein is useful for a variety of medical procedures, including, by way of example,

treatment of obstructions caused by tumors in bile ducts, esophagus, trachea/bronchi and other biological passageways. A stent having the above-described coating is particularly useful for treating diseased regions of blood vessels caused by lipid deposition, monocyte or macrophage infiltration, or dysfunctional endothelium or a combination thereof, or occluded regions of blood vessels caused by abnormal or inappropriate migration and proliferation of smooth muscle cells, thrombosis, and restenosis. Stents may be placed in a wide array of blood vessels, both arteries and veins. Representative examples of sites include the iliac, renal, carotid and coronary arteries.

10 The polymers described herein can be coated onto the surface of the implantable device in many ways, such as dip-coating, spray-coating, ionic deposition, and the like, as is well known in the art. Preferably the coating of the present invention is spray coated on an implantable device.

15 The dosage or concentration of the bioactive agent required to produce a favorable therapeutic effect should be less than the level at which the bioactive agent produces toxic effects and greater than the level at which non-therapeutic results are obtained. The dosage or concentration of the bioactive agent can depend upon factors such as the particular circumstances of the patient, the nature of the trauma, the nature of the therapy desired, the time over which the ingredient administered resides at the vascular site, and if other active agents are employed, the nature and type of the substance or combination of substances. Therapeutically effective dosages can be determined empirically, for example by infusing vessels from suitable animal model systems and using immuno-histochemical, fluorescent or electron microscopy methods to detect the agent and its effects, or by conducting suitable in vitro studies. Standard pharmacological test procedures to determine dosages are understood by those of ordinary skill in the art.

20 As used herein, "biodegradable" means that at least the polymer is capable of being broken down into innocuous and bioactive products in the normal functioning of the body. The biodegradable polymers have hydrolysable ester linkages which provide the biodegradability, and are typically chain terminated with carboxyl groups.

25 As used herein, the terms "alpha -amino acid" mean a chemical compound containing an amino group, a carboxyl group and R3 or R4 groups as defined herein. As used herein, the alpha amino acid mean the alpha -amino acid(s) used in synthesis are naturally occurring L-phenylalanine, leucine, glycine, alanine,

35

valine, isoleucine, lysine, or methionine, or a mixture thereof. Additional natural amino acids include lysine and ornithine.

As used herein the term "bioactive agent" means an agent, for example as described herein, having a therapeutic, healing or palliative effect in mammals, including humans. A bioactive agent as disclosed herein is not incorporated into the co-polymer backbone, but is dispersed within the PEA co-polymer. In one embodiment, at least two different bioactive agents are dispersed in co-polymer. As used herein, the term "dispersed" as used to refer to bioactive agents, means the bioactive agents are intermixed, dissolved, or homogenized with the PEA co-polymer.

The present invention will now be described in detail with reference to the following non limiting examples which are by way of illustration only.

EXAMPLES

Materials and Methods.

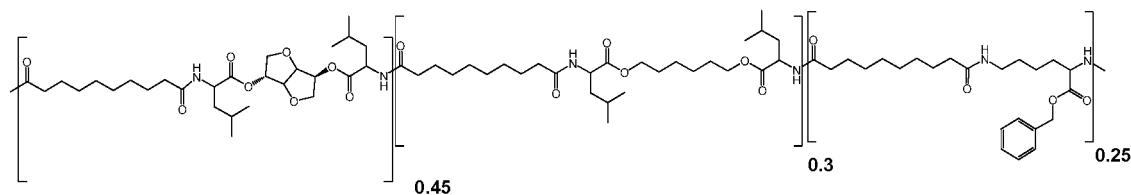
Phosphate Buffer Saline (PBS) was purchased from Biochrom AG. Rapamycin was used as received from Cfm Oskar Tropitzsch e.K.

In vitro release method:

A metal alloy stent is incubated in 2 ml PBS buffer under static conditions at 37°C. The buffer is exchanged after specific time points. The drug (Rapamycin) release is determined by photometric UV-measurement at 278 nm.

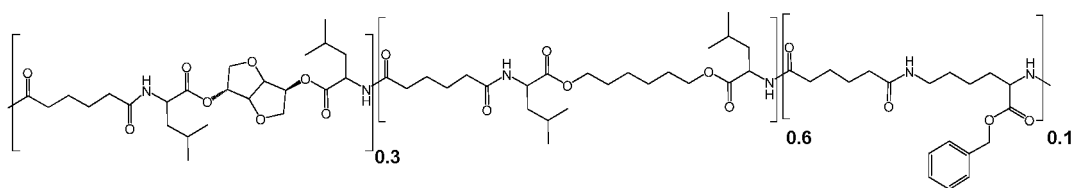
Example 1

A coating formulation is prepared by dissolving Rapamycin and PEA-3Bz polymer (PEA III) of formula IV in an easily evaporating solvent. The coating formulation is spray-coated onto a stent and dried at room temperature. The resulting coating has a ratio of polymer/drug of 60/40 (w%/w%) and a coating thickness of about 5-6 μm .



Example 2

A coating formulation is prepared by dissolving Rapamycin and PEA-2Bz (PEA II) polymer of Formula V in an easily evaporating solvent. The coating formulation is spray-coated onto the stent and dried at room temperature. The resulting coating has a ratio of polymer/drug of 60/40 (w%/w%) and a coating thickness of about 7 μm .



Formula V

10

Results:

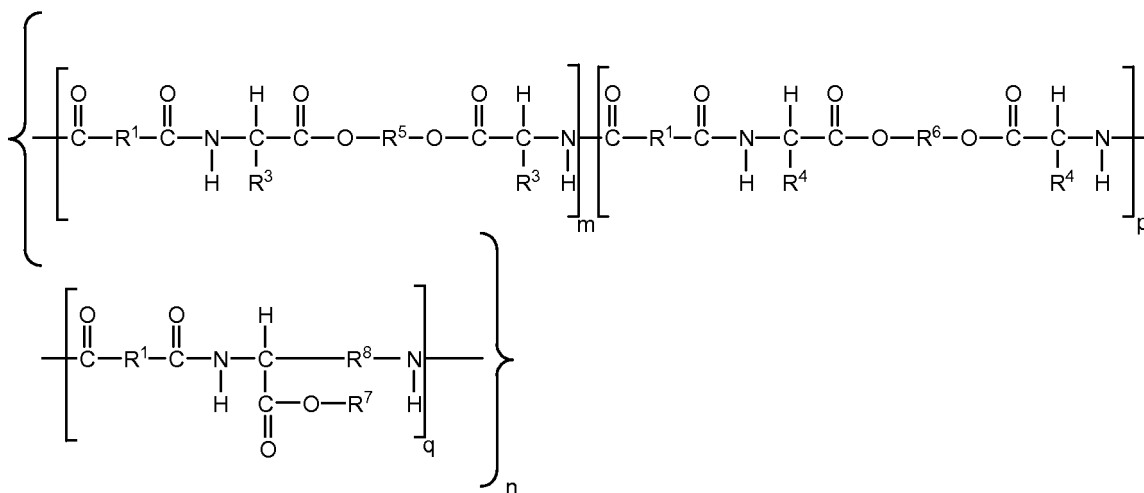
Stent coatings from PEA II and PEA III with Rapamycin prepared under comparable conditions show a faster release in case of PEA II. PEA II coatings could release Rapamycin for about 20 days, while coatings from PEA III could release Rapamycin for about 45 days. These results are shown in Figure 1. Figure 1 is the result of an average of 4 measurements for PEA II and PEA III coatings.

15

CLAIMS

1. A coating comprising at least one biodegradable polymer and a dispersed bioactive agent, wherein the polymer comprises at least one or a blend of a poly (ester amide) (PEA) having a chemical structure described by formula (II),

5



Formula II;

10

wherein

- m is about 0.01 to about 0.99; p is about 0.99 to about 0.01; and q is about 0.99 to 0.01; and wherein n is about 5 to about 100; and wherein

15

- R₁ is independently selected from the group consisting of (C₂-C₂₀)alkylene, (C₂-C₂₀)alkenylene, -(R₉-CO-O-R₁₀-O-CO-R₉)-, -CHR₁₁-O-CO-R₁₂-COOCR₁₁- and combinations thereof;

20

- R₃ and R₄ in a single co-monomer m or p, respectively, are independently selected from the group consisting of hydrogen, (C₁-C₆)alkyl, (C₂-C₆)alkenyl, (C₂-C₆)alkynyl, (C₆-C₁₀)aryl, (C₁-C₆)alkyl, -(CH₂)SH, -(CH₂)₂S(CH₃), -CH₂OH, -CH(OH)CH₃, -(CH₂)₄NH₃⁺, --(CH₂)₃NHC(=NH₂⁺)NH₂, -CH₂COOH, -(CH₂)COOH, -CH₂-CO-NH₂, -CH₂CH₂-CO-NH₂, -- -CH₂CH₂COOH, CH₃-CH₂-CH(CH₃)-, (CH₃)₂-CH-CH₂-, H₂N-(CH₂)₄-, Ph-CH₂-, CH=C-CH₂-, HO-p-Ph-CH₂-, (CH₃)₂-CH-, Ph-NH-, NH-(CH₂)₃-C-, NH-CH=N-CH=C-CH₂-.

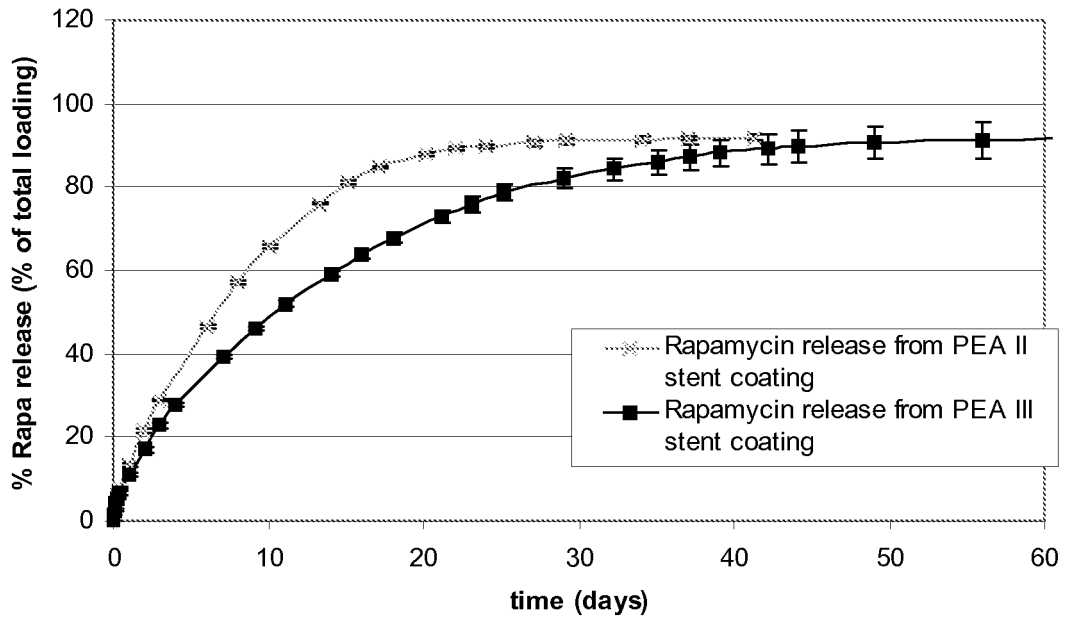
25

- R₅ or R₆ are independently selected from bicyclic-fragments of 1,4:3,6-dianhydrohexitols or from the group consisting of (C₂-C₂₀)alkylene,

- (C₂-C₂₀)alkenylene, alkyloxy, oligoethyleneglycol with a Mw ranging from 44 Da up to 700 Da, -CH₂-CH-(CH₂OH)₂, CH₂CH(OH)CH₂ and whereby R₅ and R₆ are non identical and whereby at least one of R₅ or R₆ is a bicyclic-fragments of 1,4:3,6-dianhydrohexitols,
- 5 - R₇ is hydrogen, (C₆-C₁₀) aryl, (C₁-C₆) alkyl or a protecting group such as benzyl- or a bioactive agent;
- R₈ is independently (C₁-C₂₀) alkyl or (C₂-C₂₀)alkenyl;
- R₉ or R₁₀ are independently selected from C₂-C₁₂ alkylene or C₂-C₁₂ alkenylene.
- 10 - R₁₁ or R₁₂ are independently selected from H, methyl, C₂-C₁₂ alkylene or C₂-C₁₂ alkenylene,
- suitable for coating an implantable device.
2. A coating according to claim 1, wherein R₁ is selected from -(CH₂)₄ or -(CH₂)₈.
3. A coating according to any one of the claims 1-2 wherein R₅ is 1,4:3,6-
- 15 dianhydrosorbitol (DAS).
4. A coating according to any one of the claims 1-3 wherein the R₃ or R₄ are selected from hydrogen, -CH₂-CH(CH₃)₂, -CH₃, -CH(CH₃)₂, -CH(CH₃)-CH₂-CH₃, -CH₂-C₆H₅, -(CH₂)₄NH₂ or -(CH₂)₂SCH₃.
5. A coating according to anyone of the claims 1-4, wherein the R₈ is -(CH₂)₄.
- 20 6. A coating according to any one of the claims 1-5 which comprises a further bioactive agent.
7. A coating according to claim 6 wherein the bioactive agent is selected from growth factors (VEGF, FGF, MCP-1, PIGF, antibiotics, anti-inflammatory compounds, antithrombogenic compounds, anti-claudication drugs, anti-
- 25 arrhythmic drugs, anti-atherosclerotic drugs, antihistamines, cancer drugs, vascular drugs, ophthalmic drugs, amino acids, vitamins, hormones, neurotransmitters, neurohormones, enzymes, imaging agents, signalling molecules and psychoactive medicaments.
8. A coating according to any one of the claims 6-7 wherein the bioactive agent
- 30 can be present in the form of a microparticle, nanoparticle or micelle.
9. A coating according to any one of the claims 1-8 having a thickness of about 2-15 μm.
10. Implantable device comprising a coating according to any one of the claims 1-9.

11. Implantable device according to claim 10 wherein the device includes cardiac pacemakers and defibrillators; leads and electrodes for the preceding, organ stimulators such as nerve, bladder, sphincter and diaphragm stimulators, prostheses, rods, vascular grafts, self-expandable stents, balloon- expandable stents, stent-grafts, grafts, catheters, artificial heart valves and cerebrospinal fluid shunts.
- 5

FIGURE 1/1



INTERNATIONAL SEARCH REPORT

International application No PCT/EP2010/065663

A. CLASSIFICATION OF SUBJECT MATTER
 INV. A61L31/06 A61L31/10 C09D177/12
 ADD.

According to International Patent Classification (IPC) or to both national classification and IPC

B. FIELDS SEARCHED

Minimum documentation searched (classification system followed by classification symbols)
 A61L C09D

Documentation searched other than minimum documentation to the extent that such documents are included in the fields searched

Electronic data base consulted during the international search (name of data base and, where practical, search terms used)
 EPO-Internal, WPI Data

C. DOCUMENTS CONSIDERED TO BE RELEVANT

Category*	Citation of document, with indication, where appropriate, of the relevant passages	Relevant to claim No.
X	US 2006/093842 A1 (DESNOYER JESSICA R [US] ET AL DESNOYER JESSICA RENEE [US] ET AL) 4 May 2006 (2006-05-04) Scheme I claims	1-11
X	US 6 503 538 B1 (CHU CHIH-CHANG [US] ET AL) 7 January 2003 (2003-01-07) examples	1-11
X	US 2008/299174 A1 (GOMURASHVILI ZAZA D [US] ET AL) 4 December 2008 (2008-12-04) cited in the application claims 1,32; examples	1-11

Further documents are listed in the continuation of Box C. See patent family annex.

* Special categories of cited documents :

<p>"A" document defining the general state of the art which is not considered to be of particular relevance</p> <p>"E" earlier document but published on or after the international filing date</p> <p>"L" document which may throw doubts on priority claim(s) or which is cited to establish the publication date of another citation or other special reason (as specified)</p> <p>"O" document referring to an oral disclosure, use, exhibition or other means</p> <p>"P" document published prior to the international filing date but later than the priority date claimed</p>	<p>"T" later document published after the international filing date or priority date and not in conflict with the application but cited to understand the principle or theory underlying the invention</p> <p>"X" document of particular relevance; the claimed invention cannot be considered novel or cannot be considered to involve an inventive step when the document is taken alone</p> <p>"Y" document of particular relevance; the claimed invention cannot be considered to involve an inventive step when the document is combined with one or more other such documents, such combination being obvious to a person skilled in the art.</p> <p>"&" document member of the same patent family</p>
--	--

Date of the actual completion of the international search 30 November 2010	Date of mailing of the international search report 06/12/2010
--	---

Name and mailing address of the ISA/ European Patent Office, P.B. 5818 Patentlaan 2 NL - 2280 HV Rijswijk Tel. (+31-70) 340-2040, Fax: (+31-70) 340-3016	Authorized officer West, Nuki
--	---

INTERNATIONAL SEARCH REPORT

Information on patent family members

International application No

PCT/EP2010/065663

Patent document cited in search report	Publication date	Patent family member(s)	Publication date
US 2006093842	A1	04-05-2006	EP 1804849 A1 11-07-2007
			JP 2008517719 T 29-05-2008
			US 2008167712 A1 10-07-2008
			WO 2006049913 A1 11-05-2006
US 6503538	B1	07-01-2003	AT 346878 T 15-12-2006
			AU 8701501 A 13-03-2002
			AU 2001287015 B2 01-06-2006
			CA 2419429 A1 07-03-2002
			DE 60124929 T2 20-09-2007
			EP 1313794 A2 28-05-2003
			ES 2275724 T3 16-06-2007
			JP 2004507600 T 11-03-2004
WO 0218477 A2 07-03-2002			
US 2008299174	A1	04-12-2008	CA 2623198 A1 29-03-2007
			EP 1926780 A2 04-06-2008
			JP 2009510197 T 12-03-2009
			WO 2007035938 A2 29-03-2007