

(19) World Intellectual Property
Organization
International Bureau



(43) International Publication Date
9 December 2004 (09.12.2004)

PCT

(10) International Publication Number
WO 2004/105556 A3

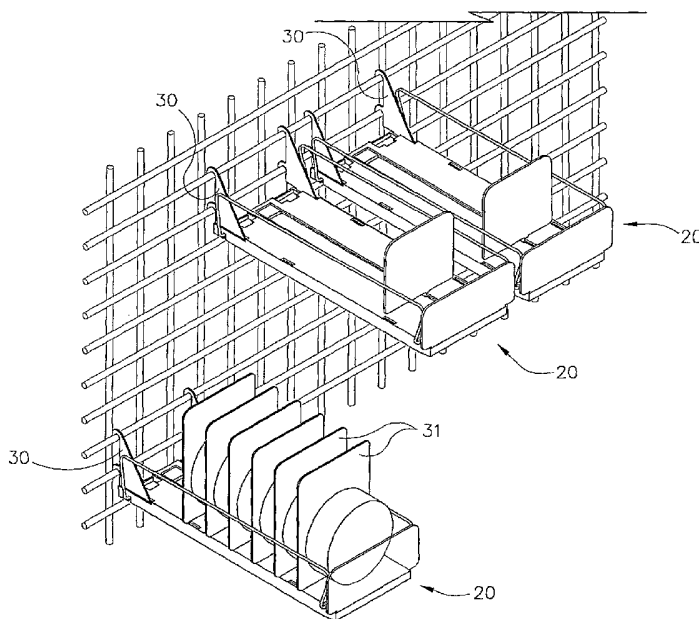
- (51) International Patent Classification⁷: A47F 5/00
- (21) International Application Number: PCT/US2004/016062
- (22) International Filing Date: 21 May 2004 (21.05.2004)
- (25) Filing Language: English
- (26) Publication Language: English
- (30) Priority Data:
60/472,955 22 May 2003 (22.05.2003) US
60/473,350 22 May 2003 (22.05.2003) US
- (71) Applicant (for all designated States except US): DCI MARKETING, INC. [US/US]; 2727 West Good Hope Road, Milwaukee, WI 53209 (US).
- (72) Inventor; and
- (75) Inventor/Applicant (for US only): JOHNSON, Allen, E. [US/US]; 6979 Lee Road, Hartford, WI 53027 (US).
- (74) Agent: DAY, SCOTT, M.; Foley & Lardner, 777 East Wisconsin Avenue, Suite 3800, Milwaukee, WI 53202-5306 (US).
- (81) Designated States (unless otherwise indicated, for every kind of national protection available): AE, AG, AL, AM, AT, AU, AZ, BA, BB, BG, BR, BW, BY, BZ, CA, CH, CN, CO, CR, CU, CZ, DE, DK, DM, DZ, EC, EE, EG, ES, FI, GB, GD, GE, GH, GM, HR, HU, ID, IL, IN, IS, JP, KE, KG, KP, KR, KZ, LC, LK, LR, LS, LT, LU, LV, MA, MD, MG, MK, MN, MW, MX, MZ, NA, NI, NO, NZ, OM, PG, PH, PL, PT, RO, RU, SC, SD, SE, SG, SK, SL, SY, TJ, TM, TN, TR, TT, TZ, UA, UG, US, UZ, VC, VN, YU, ZA, ZM, ZW.
- (84) Designated States (unless otherwise indicated, for every kind of regional protection available): ARIPO (BW, GH, GM, KE, LS, MW, MZ, NA, SD, SL, SZ, TZ, UG, ZM, ZW), Eurasian (AM, AZ, BY, KG, KZ, MD, RU, TJ, TM), European (AT, BE, BG, CH, CY, CZ, DE, DK, EE, ES, FI, FR, GB, GR, HU, IE, IT, LU, MC, NL, PL, PT, RO, SE, SI, SK, TR), OAPI (BF, BJ, CF, CG, CI, CM, GA, GN, GQ, GW, ML, MR, NE, SN, TD, TG).

Declarations under Rule 4.17:

— as to applicant's entitlement to apply for and be granted a patent (Rule 4.17(ii)) for the following designations AE, AG, AL, AM, AT, AU, AZ, BA, BB, BG, BR, BW, BY, BZ,

[Continued on next page]

(54) Title: MERCHANDISING SYSTEM



(57) Abstract: A merchandising system for articles comprising a base comprising an upper surface having a plurality of ribs, an underside having a plurality of supports formed integrally with the underside of the base, and a first side and a second side. The merchandising system comprises a frame coupled to the base and configured to couple with a shelving system for supporting the base in a substantially horizontal configuration, a first guide and a second guide coupled to the base for supporting articles, and an assembly for advancing the articles that is coupled to the base and provides force on the articles.

WO 2004/105556 A3



- CA, CH, CN, CO, CR, CU, CZ, DE, DK, DM, DZ, EC, EE, EG, ES, FI, GB, GD, GE, GH, GM, HR, HU, ID, IL, IN, IS, JP, KE, KG, KP, KR, KZ, LC, LK, LR, LS, LT, LU, LV, MA, MD, MG, MK, MN, MW, MX, MZ, NA, NI, NO, NZ, OM, PG, PH, PL, PT, RO, RU, SC, SD, SE, SG, SK, SL, SY, TJ, TM, TN, TR, TT, TZ, UA, UG, UZ, VC, VN, YU, ZA, ZM, ZW, ARIPO patent (BW, GH, GM, KE, LS, MW, MZ, NA, SD, SL, SZ, TZ, UG, ZM, ZW), Eurasian patent (AM, AZ, BY, KG, KZ, MD, RU, TJ, TM), European patent (AT, BE, BG, CH, CY, CZ, DE, DK, EE, ES, FI, FR, GB, GR, HU, IE, IT, LU, MC, NL, PL, PT, RO, SE, SI, SK, TR), OAPI patent (BF, BJ, CF, CG, CI, CM, GA, GN, GQ, GW, ML, MR, NE, SN, TD, TG)
- as to the applicant's entitlement to claim the priority of the earlier application (Rule 4.17(iii)) for all designations
- Published:**
- with international search report
- before the expiration of the time limit for amending the claims and to be republished in the event of receipt of amendments
- (88) Date of publication of the international search report:**
4 August 2005
- For two-letter codes and other abbreviations, refer to the "Guidance Notes on Codes and Abbreviations" appearing at the beginning of each regular issue of the PCT Gazette.

INTERNATIONAL SEARCH REPORT

International application No.

PCT/US04/16062

A. CLASSIFICATION OF SUBJECT MATTER IPC(7) : A47F 5/00 US CL : 211/059.3 According to International Patent Classification (IPC) or to both national classification and IPC		
B. FIELDS SEARCHED Minimum documentation searched (classification system followed by classification symbols) U.S. : 211/59.2, 59.3, 85.17, 90.01, 90.02, 90.03, 119.003, 126.1, 126.5, 134, 186, 187, 189; 312/61, 71 Documentation searched other than minimum documentation to the extent that such documents are included in the fields searched Electronic data base consulted during the international search (name of data base and, where practicable, search terms used)		
C. DOCUMENTS CONSIDERED TO BE RELEVANT		
Category *	Citation of document, with indication, where appropriate, of the relevant passages	Relevant to claim No.
A	US 5,012,936 A (CRUM) 07 May 1991 (07.05.1991).	
A	US 5,665,304 A (HEINEN et al) 09 September 1997 (09.09.1997).	
Y	US 5,746,328 A (BEELER et al) 05 May 1998 (05.05.1998), Figure 3.	1-3, 14-17, and 22-25
Y	US 5,855,283 A (JOHNSON) 05 January 1999 (05.01.1999).	1-3, 14-17, and 22-25
A	US 6,142,317 A (MERL) 07 November 2000 (07.11.2000).	
A	US 6,227,385 A (NICKERSON) 08 May 2001 (08.05.2001).	
<input type="checkbox"/> Further documents are listed in the continuation of Box C. <input type="checkbox"/> See patent family annex.		
* Special categories of cited documents:		
"A"	document defining the general state of the art which is not considered to be of particular relevance	"T" later document published after the international filing date or priority date and not in conflict with the application but cited to understand the principle or theory underlying the invention
"E"	earlier application or patent published on or after the international filing date	"X" document of particular relevance; the claimed invention cannot be considered novel or cannot be considered to involve an inventive step when the document is taken alone
"L"	document which may throw doubts on priority claim(s) or which is cited to establish the publication date of another citation or other special reason (as specified)	"Y" document of particular relevance; the claimed invention cannot be considered to involve an inventive step when the document is combined with one or more other such documents, such combination being obvious to a person skilled in the art
"O"	document referring to an oral disclosure, use, exhibition or other means	"&" document member of the same patent family
"P"	document published prior to the international filing date but later than the priority date claimed	
Date of the actual completion of the international search	Date of mailing of the international search report	
23 May 2005 (23.05.2005)	20 JUN 2005	
Name and mailing address of the ISA/US	Authorized officer	
Mail Stop PCT, Attn: ISA/US	<i>D. Wildermuth for</i>	
Commissioner for Patents	Jennifer E. Novosad	
P.O. Box 1450	Telephone No. 571-272-5250	
Alexandria, Virginia 22313-1450		
Facsimile No. (703) 305-3230		