



US00D822822S

(12) **United States Design Patent**
Arceno et al.

(10) **Patent No.:** **US D822,822 S**
(45) **Date of Patent:** **** Jul. 10, 2018**

(54) **SUCTION VALVE**
(71) Applicant: **Whirlpool S.A.**, Sao Paulo SP (BR)
(72) Inventors: **Eduardo Arceno**, Joinville SC (BR);
Evandro Luiz Lange Pereira, Joinville SC (BR)
(73) Assignee: **Whirlpool S.A.**, Sao Paulo (BR)
(**) Term: **15 Years**
(21) Appl. No.: **29/565,112**
(22) Filed: **May 18, 2016**

5,609,476 A * 3/1997 Kim F04B 39/1073
137/855
5,738,502 A * 4/1998 Lee F04B 39/1073
137/855
5,875,819 A * 3/1999 Hwang F04B 39/106
137/856
6,006,785 A * 12/1999 Iversen F04B 39/1073
137/855
6,227,825 B1 * 5/2001 Vay F04B 39/1073
137/15.19
6,523,571 B1 * 2/2003 Kim F04B 39/1066
137/855
7,083,400 B2 * 8/2006 Possamai F04B 39/0055
137/512
8,096,791 B2 * 1/2012 Bortoli F04B 39/1073
137/855
8,297,957 B2 * 10/2012 Park F04B 39/1066
137/512
9,360,001 B2 * 6/2016 Miranda F04B 39/1073

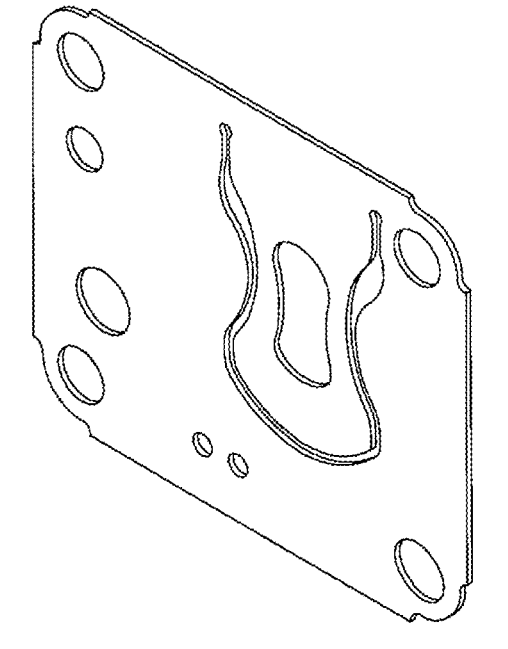
(30) **Foreign Application Priority Data**
Nov. 19, 2015 (BR) 30 2015 005320 8
(51) **LOC (11) CL.** **23-04**
(52) **U.S. CL.**
USPC **D23/386**
(58) **Field of Classification Search**
USPC D23/386, 325, 333, 341, 354; 417/566;
137/15.19, 855
CPC F04B 39/1073; F16K 15/16; Y10T
137/7891; Y10T 137/0497
See application file for complete search history.

* cited by examiner
Primary Examiner — David G Muller
(74) *Attorney, Agent, or Firm* — Harrington & Smith

(57) **CLAIM**
The ornamental design for a suction valve, as shown and described.

(56) **References Cited**
U.S. PATENT DOCUMENTS
4,642,037 A * 2/1987 Fritchman F04B 39/1073
137/521
5,197,867 A * 3/1993 Kandpal F04B 39/1073
137/855
5,454,397 A * 10/1995 Miszczak F04B 39/1073
137/512

DESCRIPTION
FIG. 1 is a front perspective view of a first embodiment of a suction valve;
FIG. 2 is a front view of the first embodiment thereof;
FIG. 3 is a rear view of the first embodiment thereof;
FIG. 4 is a side view of the first embodiment thereof; and,
FIG. 5 is a top view of the first embodiment thereof.
1 Claim, 2 Drawing Sheets



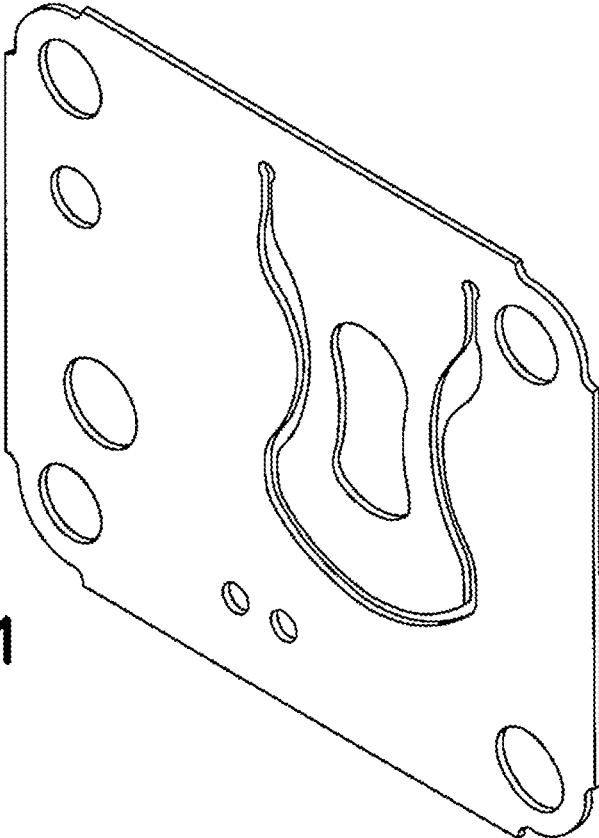


FIG. 1

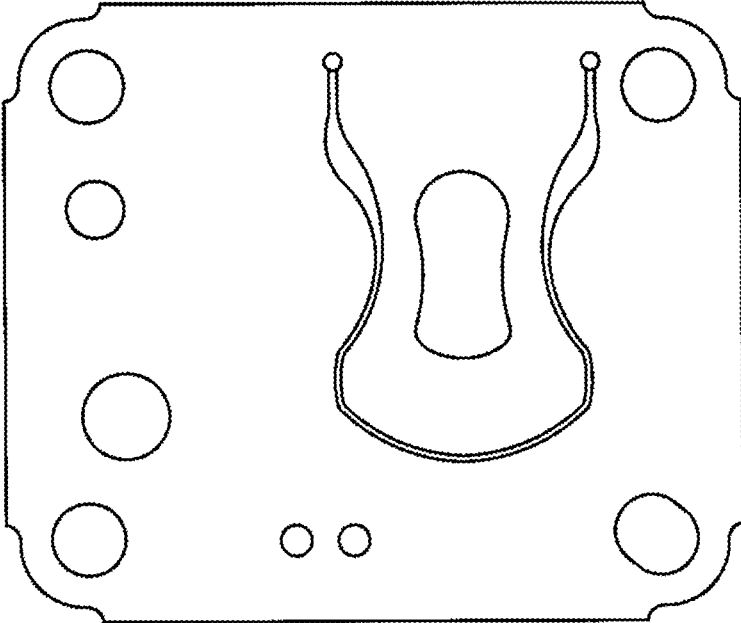


FIG. 2

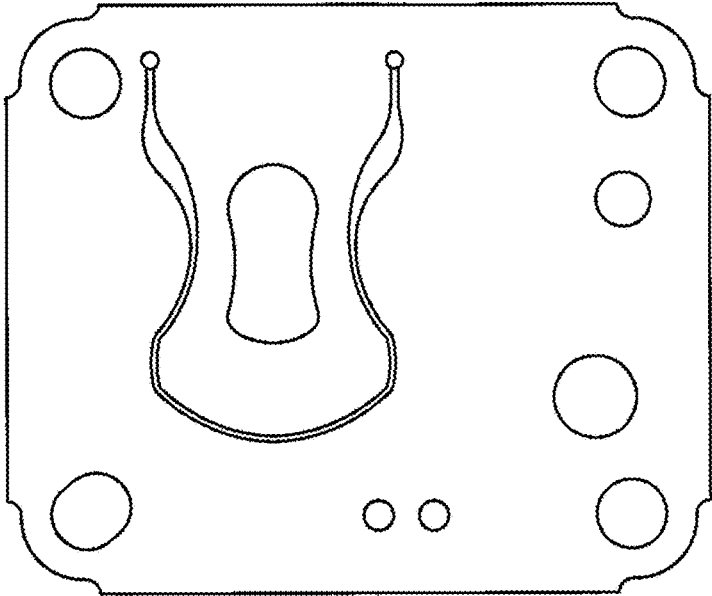


FIG.3



FIG.5



FIG.4