



US00D995708S

(12) **United States Design Patent**  
**Fan**

(10) **Patent No.:** **US D995,708 S**

(45) **Date of Patent:** **\*\* Aug. 15, 2023**

- (54) **MOSQUITO DISPELLER**
- (71) Applicant: **KEENSTONE CORPORATION**,  
Milpitas, CA (US)
- (72) Inventor: **Yulin Fan**, Honghu (CN)
- (\*\*) Term: **15 Years**
- (21) Appl. No.: **29/816,933**
- (22) Filed: **Nov. 26, 2021**
- (51) **LOC (14) Cl.** ..... **22-06**
- (52) **U.S. Cl.**  
USPC ..... **D22/122; D22/120**
- (58) **Field of Classification Search**  
USPC ..... D22/120, 119, 122-123  
CPC ..... A01M 2200/01; A01M 2200/011; A01M  
2200/012; A01M 29/12; A01M 29/34;  
A01M 1/106; A01M 1/223; A01M 1/023;  
A01M 1/14; A01M 1/10  
See application file for complete search history.

D881,331	S	*	4/2020	Long	.....	D22/120
D888,876	S	*	6/2020	Zhu	.....	D22/120
D900,956	S		11/2020	Du		
D900,957	S		11/2020	Du		
10,952,427	B2	*	3/2021	Kwon	.....	A01M 29/18
D917,656	S		4/2021	Zheng		
D917,657	S		4/2021	Hua		
D919,039	S		5/2021	Luo		
D935,549	S		11/2021	Zhu		
2018/0360020	A1	*	12/2018	Burch	.....	A01M 1/223
2021/0235684	A1	*	8/2021	Wang	.....	A01M 29/12

\* cited by examiner

*Primary Examiner* — Catherine R Oliver-Garcia  
(74) *Attorney, Agent, or Firm* — Runit R. Kanakia

(57) **CLAIM**

The ornamental design for a mosquito dispeller, as shown and described.

**DESCRIPTION**

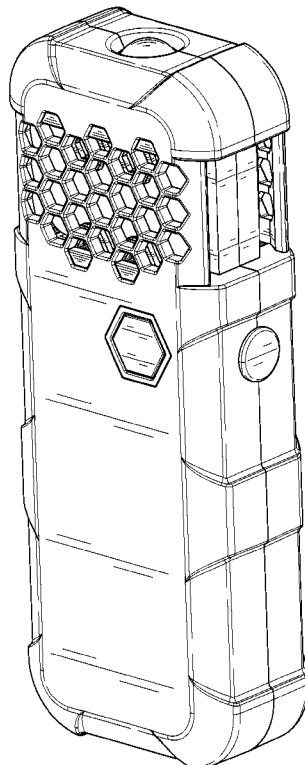
FIG. 1 is a perspective view of a mosquito dispeller showing my new design;  
 FIG. 2 is another perspective view thereof;  
 FIG. 3 is a front elevational view thereof;  
 FIG. 4 is a rear elevational view thereof;  
 FIG. 5 is a left side view thereof;  
 FIG. 6 is a right side view thereof;  
 FIG. 7 is a top plan view thereof; and,  
 FIG. 8 is a bottom plan view thereof.  
 The broken lines in the figures are for the purposes of illustrating portions of the mosquito dispeller, which form no part of the claimed design.

**1 Claim, 8 Drawing Sheets**

(56) **References Cited**

**U.S. PATENT DOCUMENTS**

D466,578	S	12/2002	Wilgus		
D634,808	S	3/2011	Tsai		
D660,395	S	5/2012	Jan		
D818,558	S	*	5/2018	Wang	..... D22/122
D833,568	S		11/2018	Long	
D869,598	S	*	12/2019	Gu	..... D22/120
D880,645	S	*	4/2020	Gu	..... D22/119
D881,330	S	*	4/2020	Long	..... D22/120



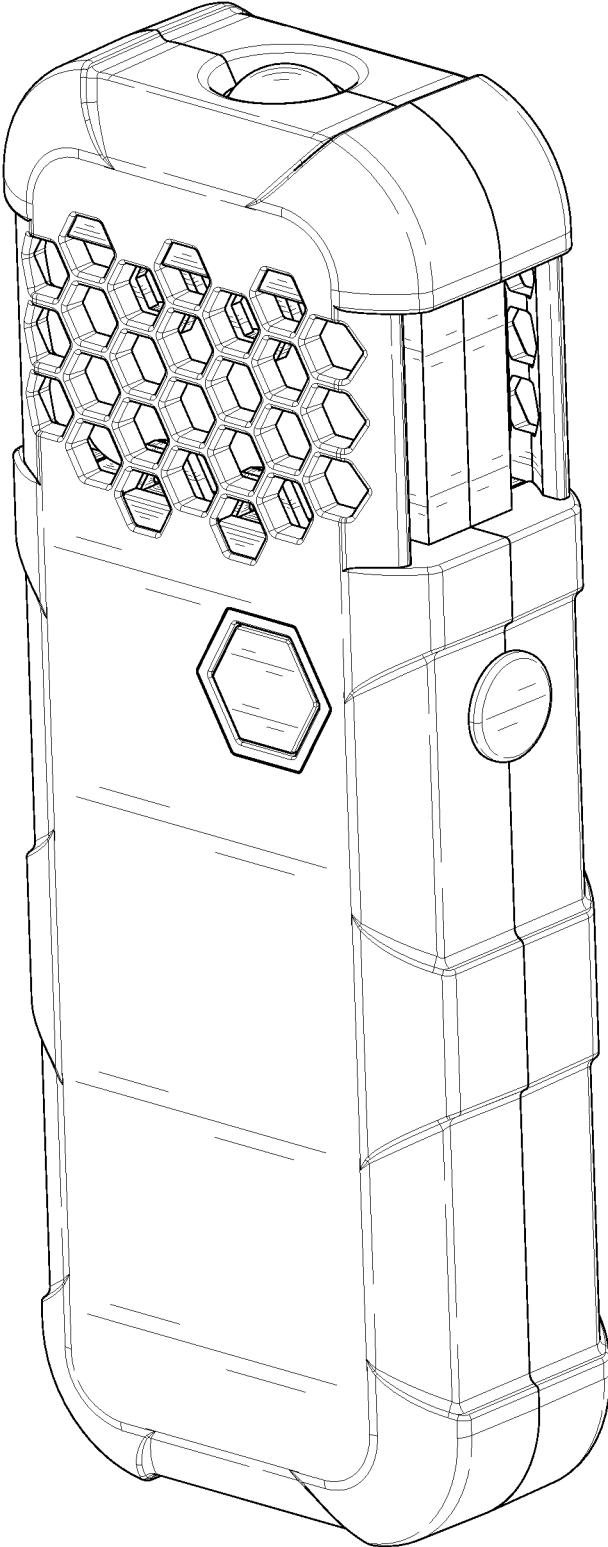


FIG. 1

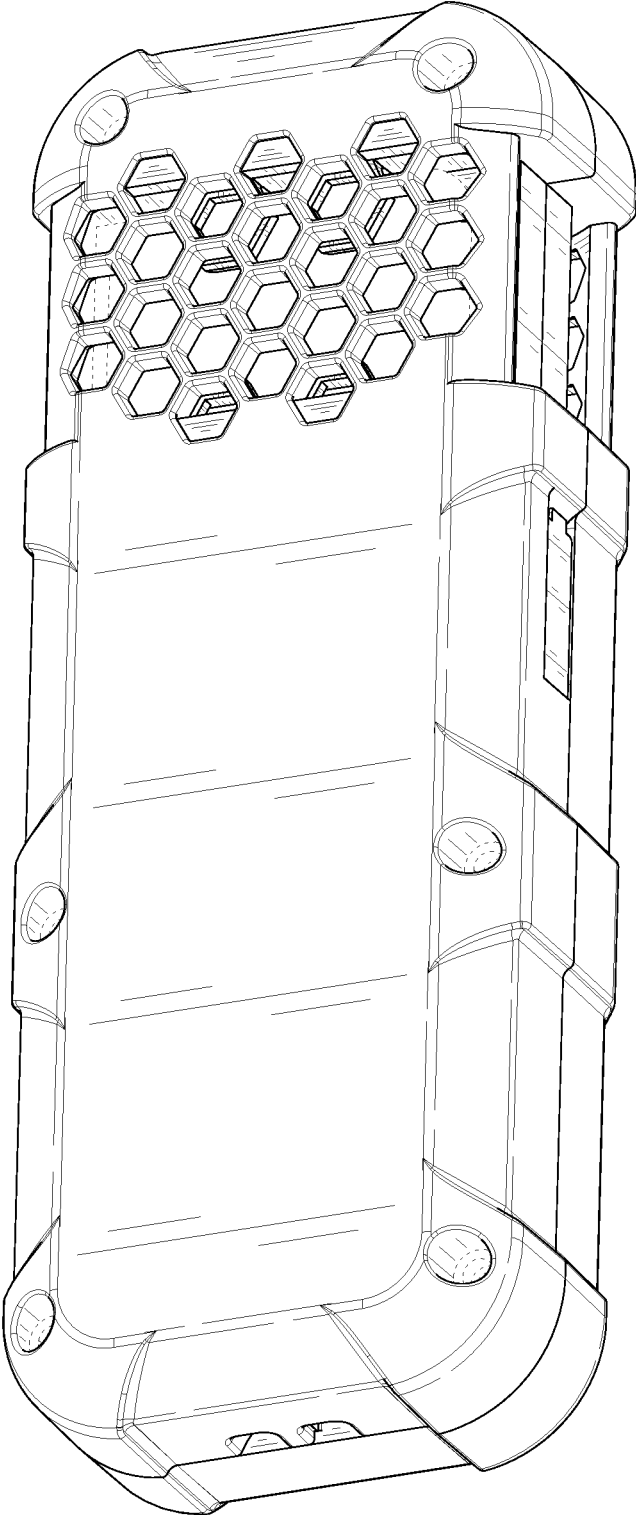


FIG. 2

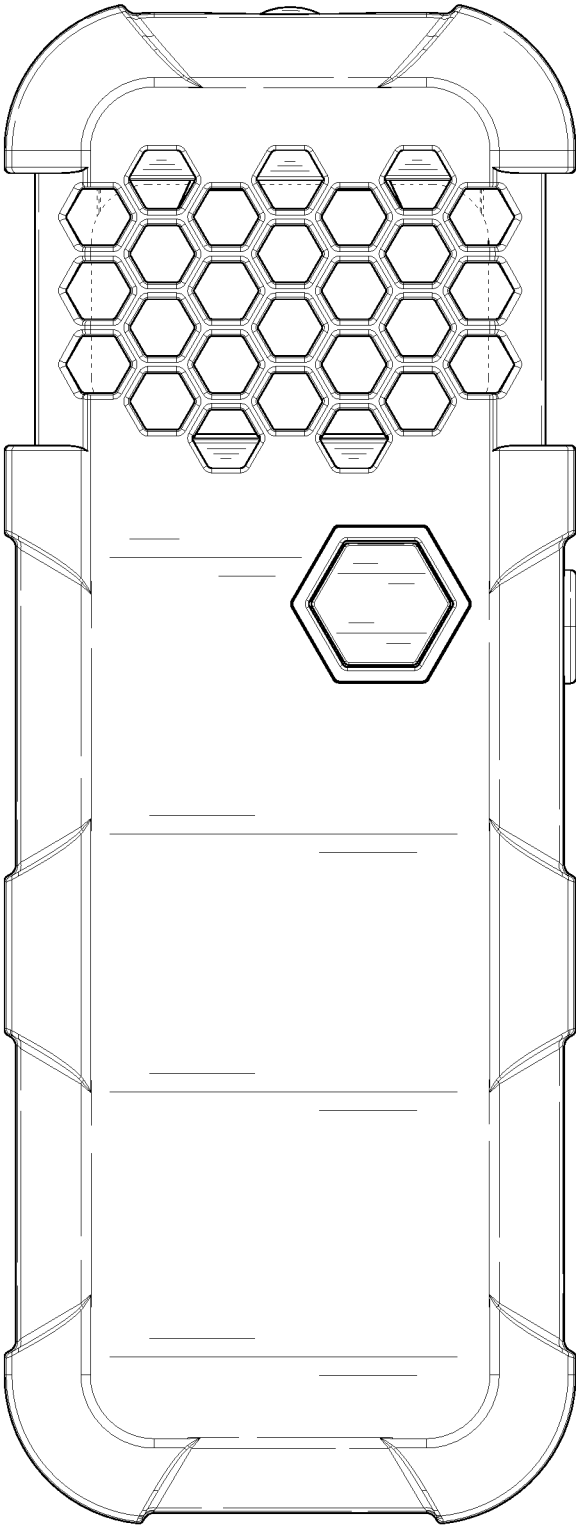


FIG. 3

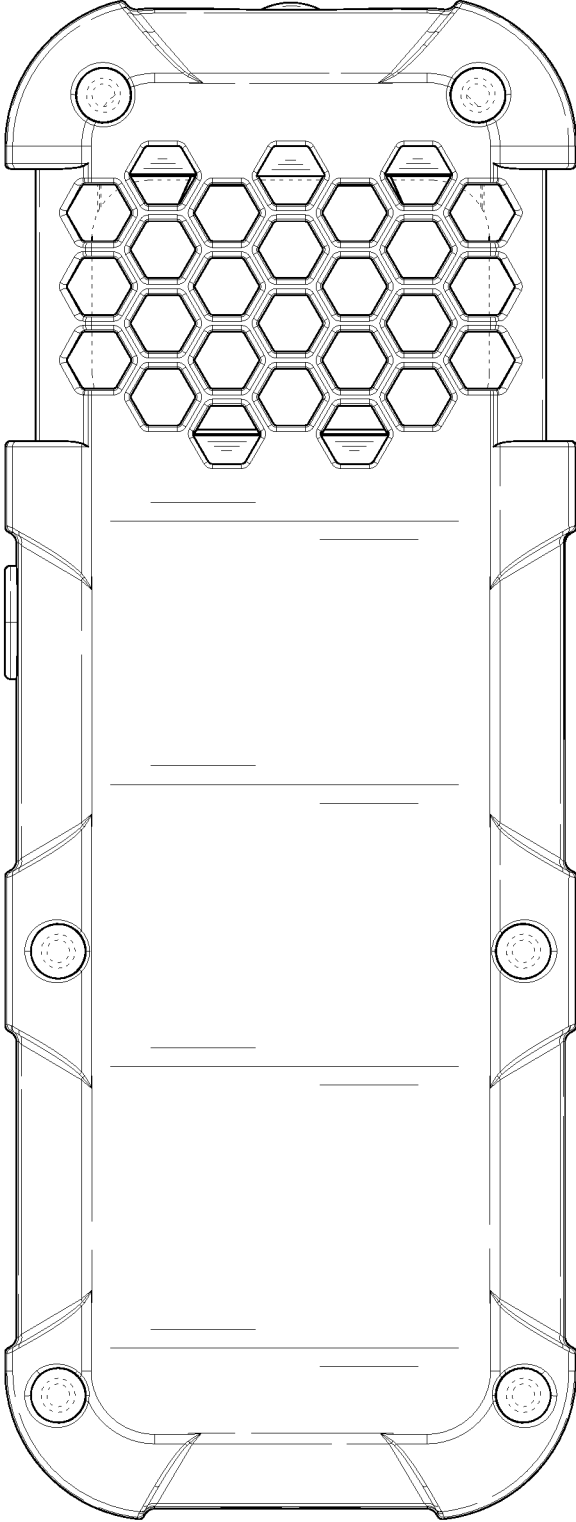


FIG. 4

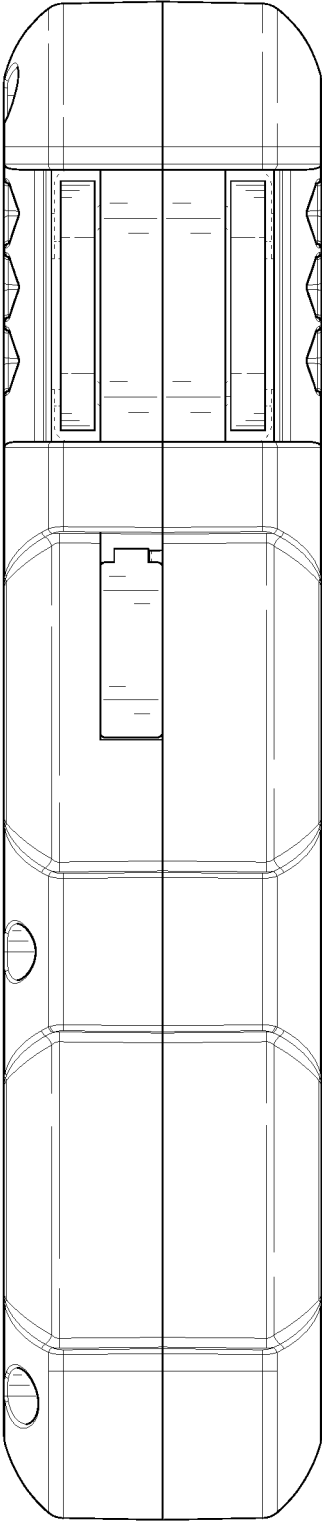


FIG. 5

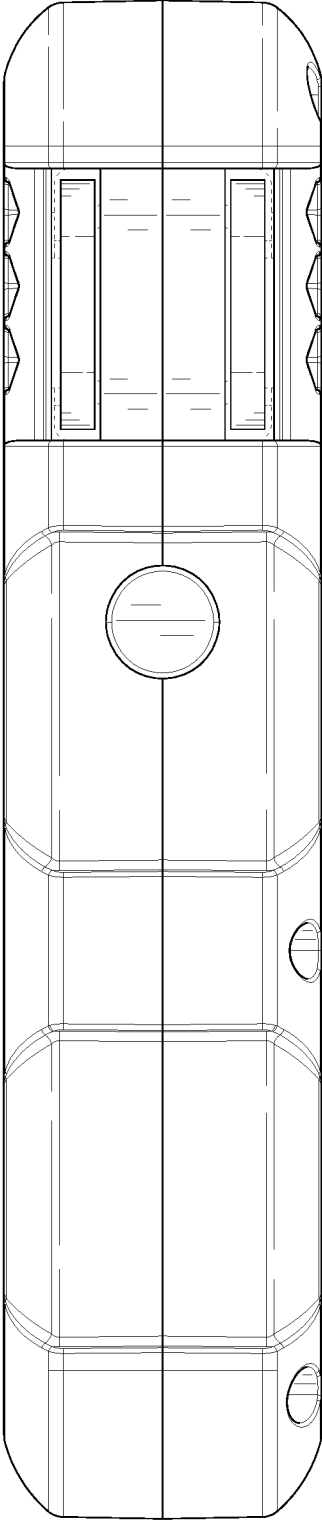


FIG. 6

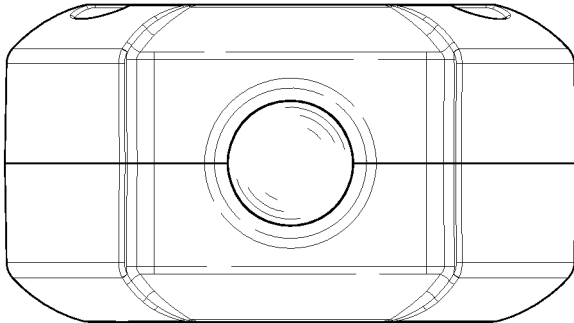


FIG. 7



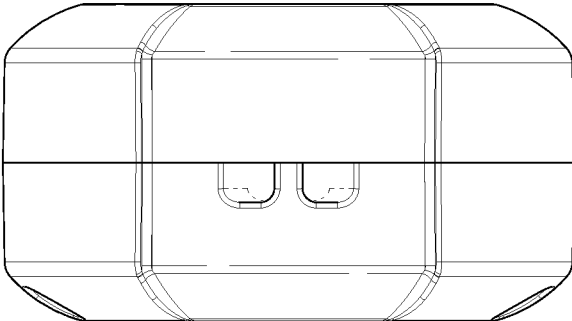


FIG. 8