



US00D479237S

(12) **United States Design Patent** (10) **Patent No.:** **US D479,237 S**  
**Juan** (45) **Date of Patent:** **\*\* Sep. 2, 2003**

- (54) **MONITOR**
- (75) Inventor: **Sheng-Te Juan, Chung-Ho (TW)**
- (73) Assignee: **Golana Technology Corp., Chung-Ho (TW)**
- (\*\*) Term: **14 Years**
- (21) Appl. No.: **29/164,951**
- (22) Filed: **Aug. 5, 2002**
- (51) **LOC (7) Cl.** ..... **14-02**
- (52) **U.S. Cl.** ..... **D14/375**
- (58) **Field of Search** ..... D14/371, 374-376, D14/125-129, 336, 337; D18/4.5; 248/917-924, 124.1, 183.3, 184.1; 345/104, 156, 168, 173; 348/180, 184, 325, 739, 838; 349/1, 2, 11, 62; 708/272

D458,257 S \* 6/2002 Rosen et al. .... D14/375  
D458,910 S \* 6/2002 Kita ..... D14/126

\* cited by examiner

*Primary Examiner*—Freda Nunn

(74) *Attorney, Agent, or Firm*—Birch, Stewart, Kolasch & Birch, LLP

(57) **CLAIM**

The ornamental design for a monitor, as shown and described.

**DESCRIPTION**

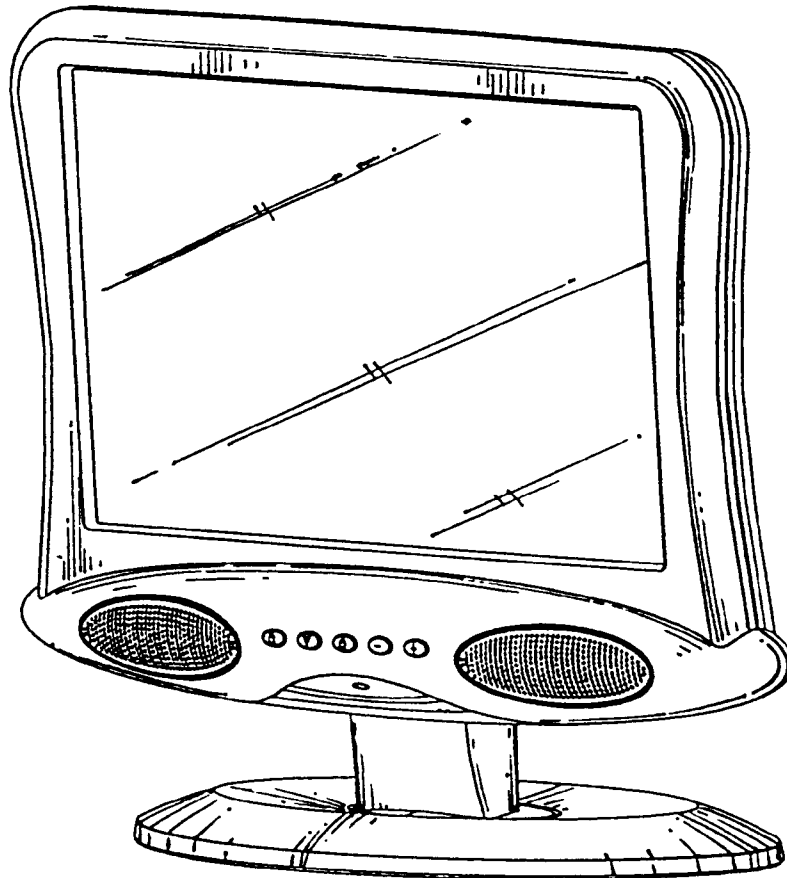
FIG. 1 is a perspective view of a monitor showing my new design;  
FIG. 2 is a front elevation view thereof;  
FIG. 3 is a rear elevation view thereof;  
FIG. 4 is a left side elevation view thereof;  
FIG. 5 is a right side elevation view thereof;  
FIG. 6 is a top plan view thereof; and,  
FIG. 7 is a bottom plan view thereof.

(56) **References Cited**

**U.S. PATENT DOCUMENTS**

D453,747 S \* 2/2002 Kita ..... D14/126

**1 Claim, 4 Drawing Sheets**



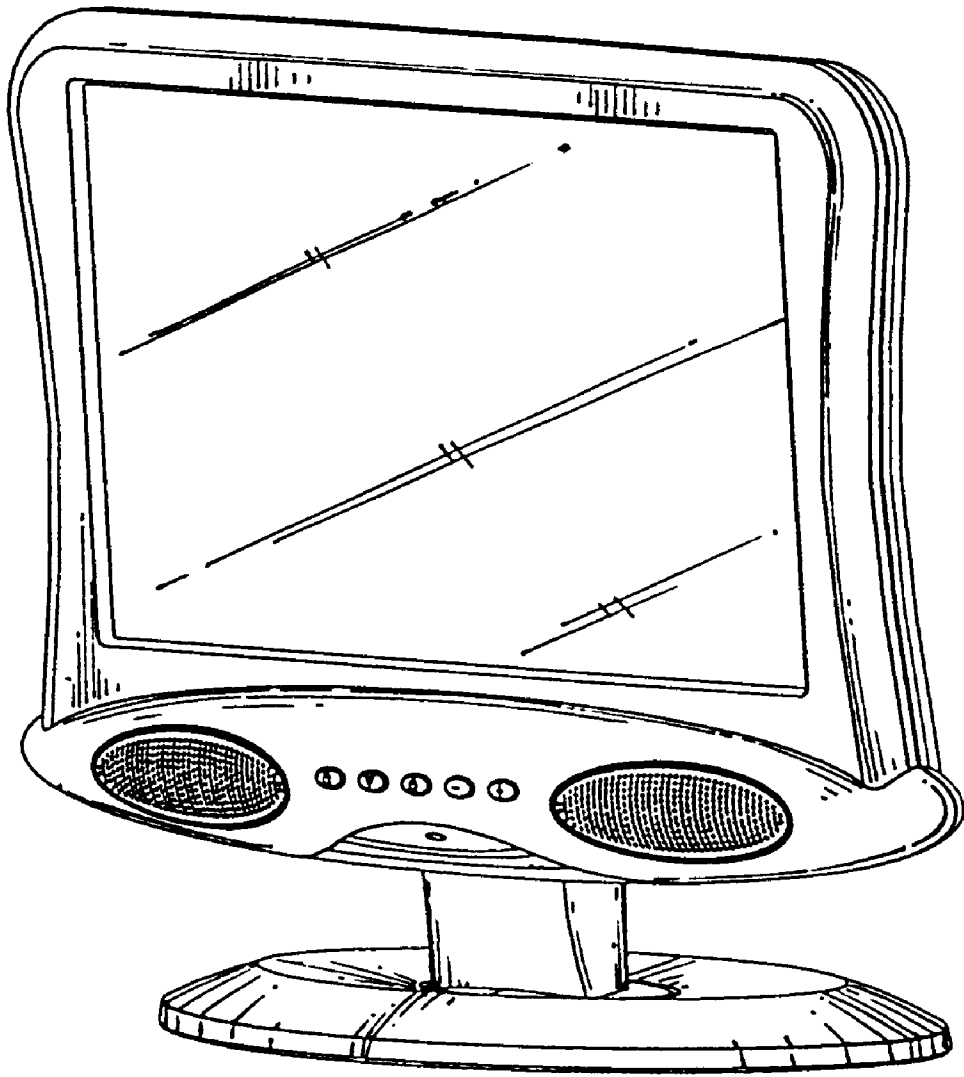


Fig.1

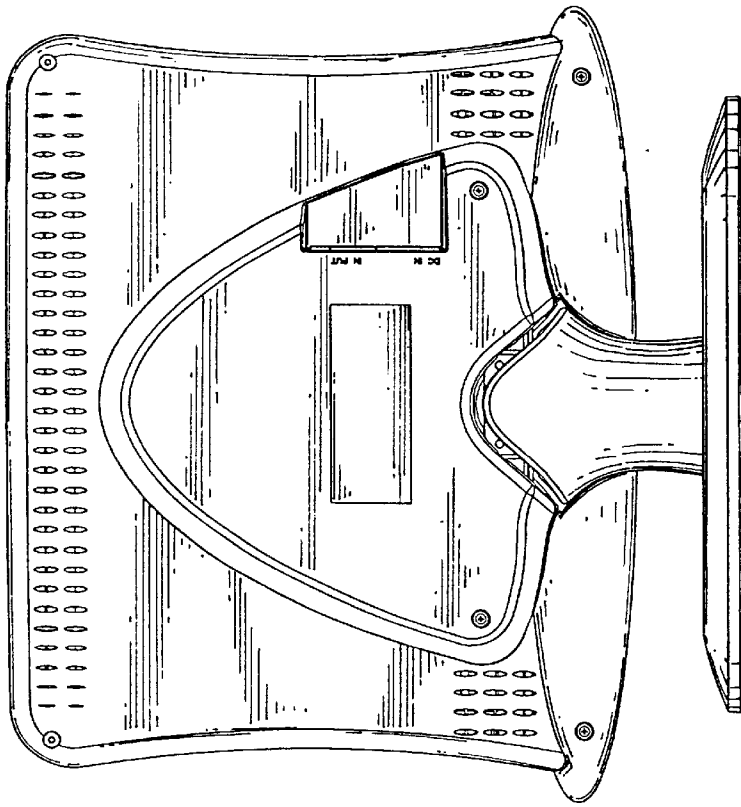


Fig.3

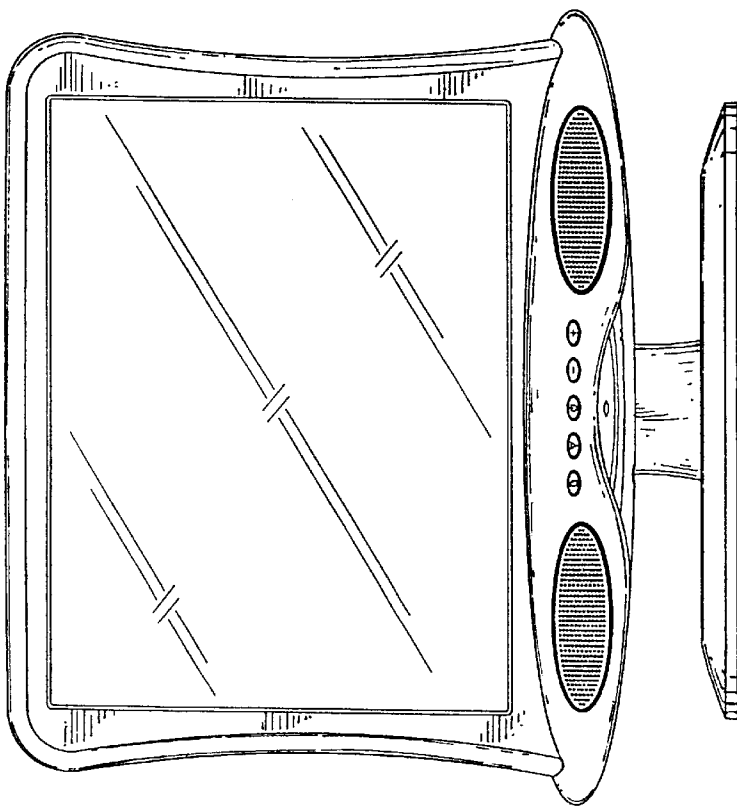


Fig.2

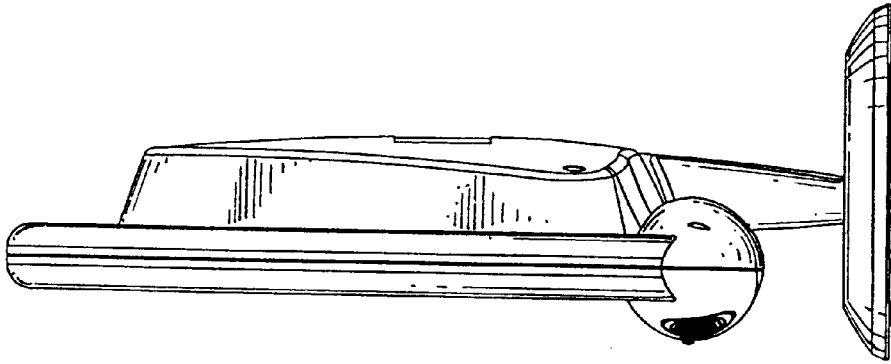


Fig.5

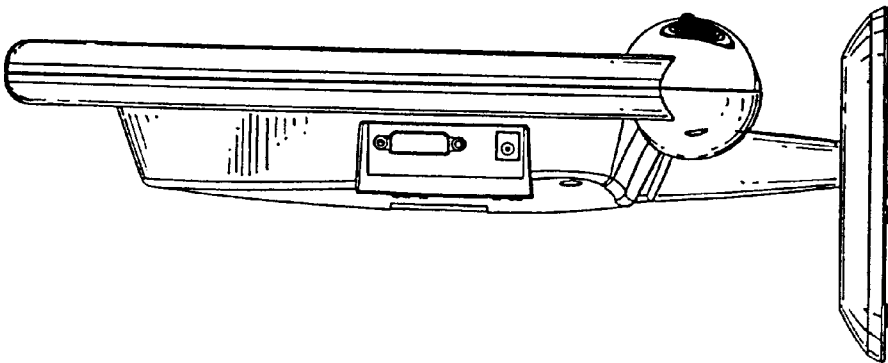


Fig.4

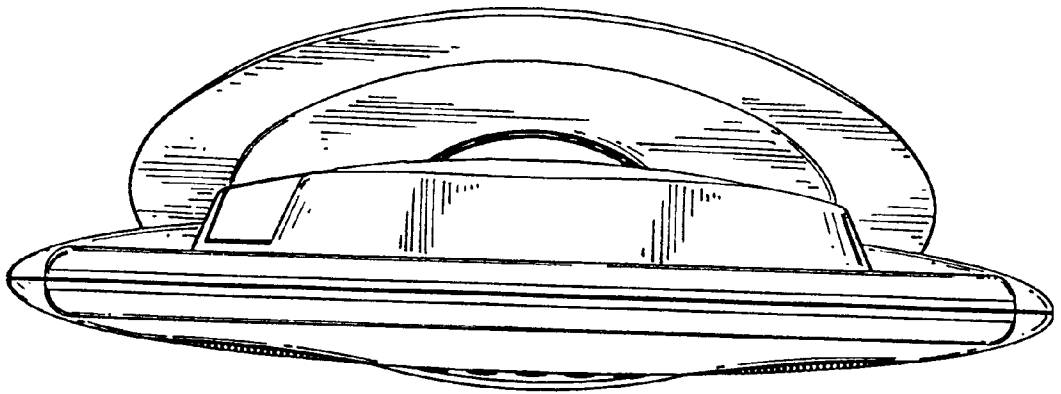


Fig.6

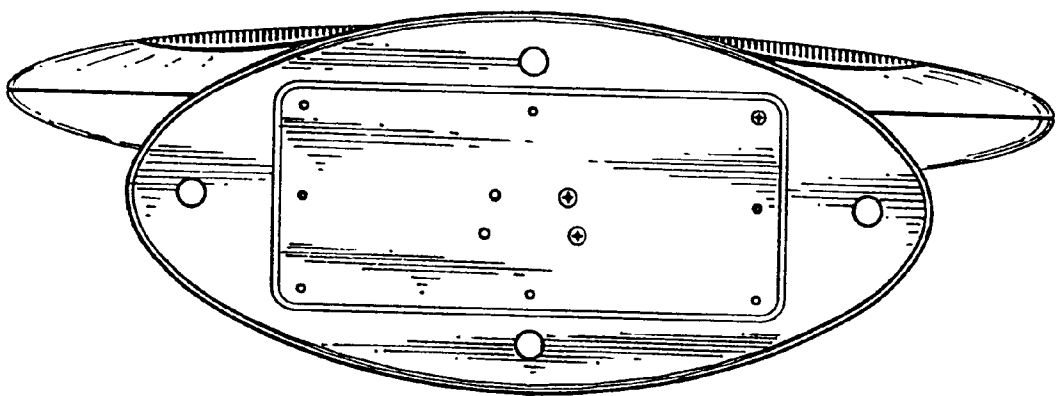


Fig.7