



US00D839015S

(12) **United States Design Patent**
Bekas

(10) **Patent No.:** **US D839,015 S**

(45) **Date of Patent:** **** Jan. 29, 2019**

(54) **BENCH SEAT FOR A VEHICLE**
(71) Applicant: **Jaguar Land Rover Limited**, Whitley,
Coventry (GB)

(72) Inventor: **Mariusz Bekas**, Coventry (GB)

(73) Assignee: **Jaguar Land Rover Limited**, Whitley,
Coventry (GB)

(**) Term: **15 Years**

(21) Appl. No.: **29/624,958**

(22) Filed: **Nov. 6, 2017**

(51) **LOC (11) Cl.** **06-01**

(52) **U.S. Cl.**
USPC **D6/356**

(58) **Field of Classification Search**
USPC D6/334, 356, 360, 369, 370, 374, 376,
D6/716, 716.1, 716.2, 716.3, 716.4,
D6/716.5, 716.7; D21/521, 533, 548
CPC A61H 2201/0149; B60N 2/06; B60N 2/20;
B60N 2/22; B60N 2/58; B60N 2/68;
B60N 2/80; B60N 2/643; B60N 2/888;
B60N 2/859; B60N 2/1615; B60N
2/7035; B60N 2/42745; B60N 2002/0272;
B60N 2205/35

See application file for complete search history.

(56) **References Cited**

U.S. PATENT DOCUMENTS

D576,811	S *	9/2008	Wyszogrod	D6/356
D578,315	S *	10/2008	Wyszogrod	D6/356
D590,611	S *	4/2009	Higashida	D6/356
D590,612	S *	4/2009	Zhang	D6/356
D614,879	S *	5/2010	Higashida	D6/356
D650,188	S *	12/2011	Nakaminami	D6/356
D650,189	S *	12/2011	Nakaminami	D6/356
D723,825	S *	3/2015	Persson	D6/356
D774,319	S *	12/2016	Ingenlath	D6/356
9,616,779	B2 *	4/2017	Barzen	B60N 2/2222
9,758,075	B2 *	9/2017	Andersson	B60N 2/468

D799,224	S *	10/2017	Callum	D6/356
9,789,826	B2 *	10/2017	Itou	B60R 7/084
D804,207	S *	12/2017	Blomme	D6/356
9,914,382	B2 *	3/2018	De Nichilo	B60N 2/72
9,981,583	B2 *	5/2018	Iwakata	B60N 2/58

* cited by examiner

Primary Examiner — Kevin K Rudzinski

Assistant Examiner — Paul D Bohannon

(74) *Attorney, Agent, or Firm* — Wood Herron & Evans
LLP

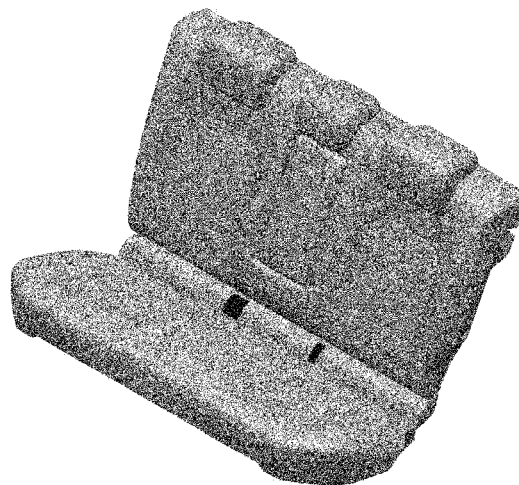
(57) **CLAIM**

The ornamental design for a bench seat for a vehicle, as shown and described.

DESCRIPTION

FIG. 1 is a front right perspective view of a bench seat for a vehicle according to the present invention.
 FIG. 2 is a front left perspective view of the bench seat as shown in FIG. 1.
 FIG. 3 is a rear left perspective view thereof.
 FIG. 4 is a rear right perspective view thereof.
 FIG. 5 is a front view thereof.
 FIG. 6 is a rear view thereof.
 FIG. 7 is a left side view thereof.
 FIG. 8 is a right side view thereof.
 FIG. 9 is a top view thereof.
 FIG. 10 is a front right perspective view of a bench seat for a vehicle according to an alternative embodiment of the present invention.
 FIG. 11 is a front left perspective view of the bench seat shown in FIG. 10.
 FIG. 12 is a rear left perspective view thereof.
 FIG. 13 is a rear right perspective view thereof.
 FIG. 14 is a front view thereof.
 FIG. 15 is a rear view thereof.
 FIG. 16 is a left side view thereof.
 FIG. 17 is a right side view thereof; and,
 FIG. 18 is a top view thereof.

1 Claim, 18 Drawing Sheets



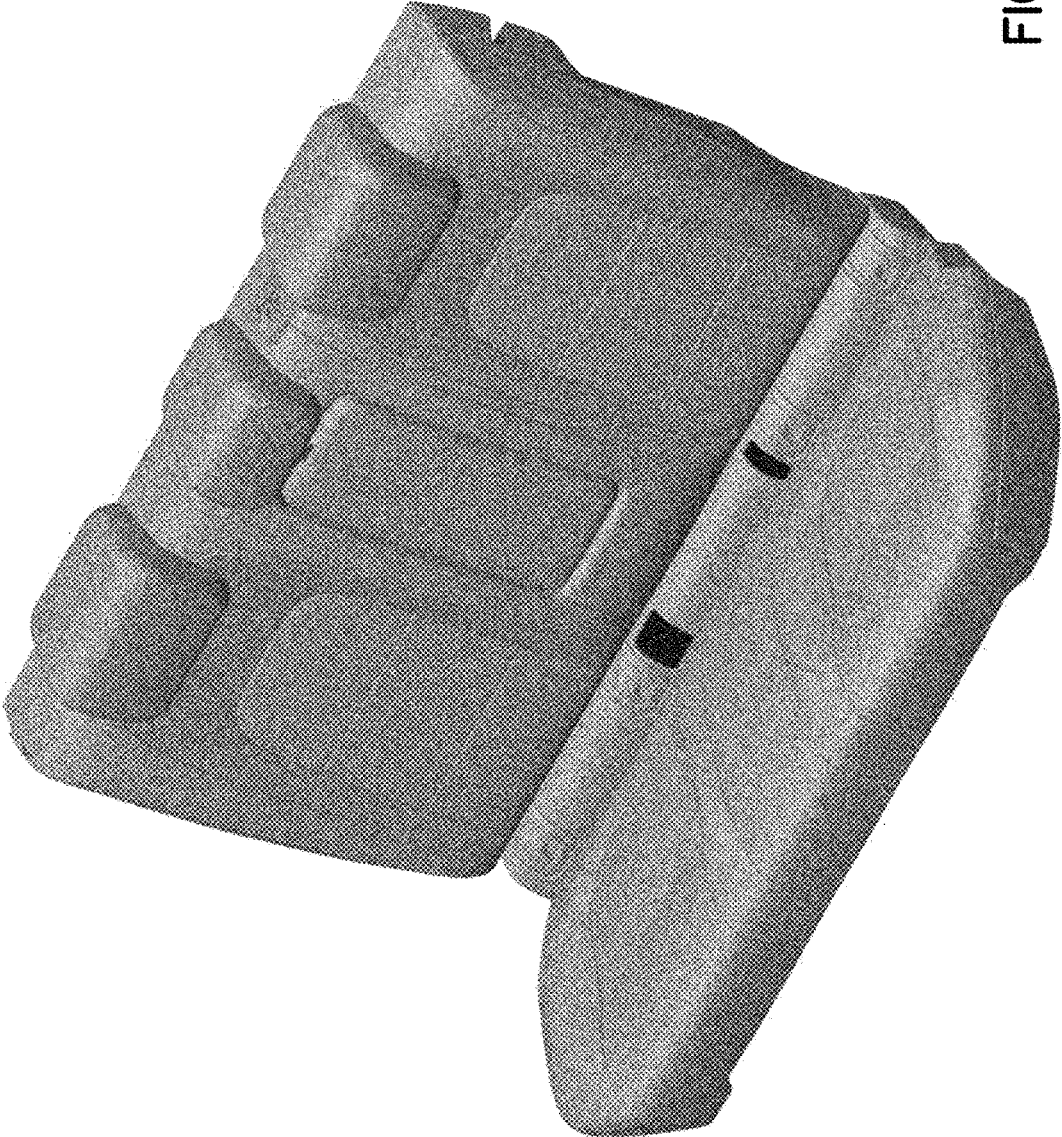


FIG. 1

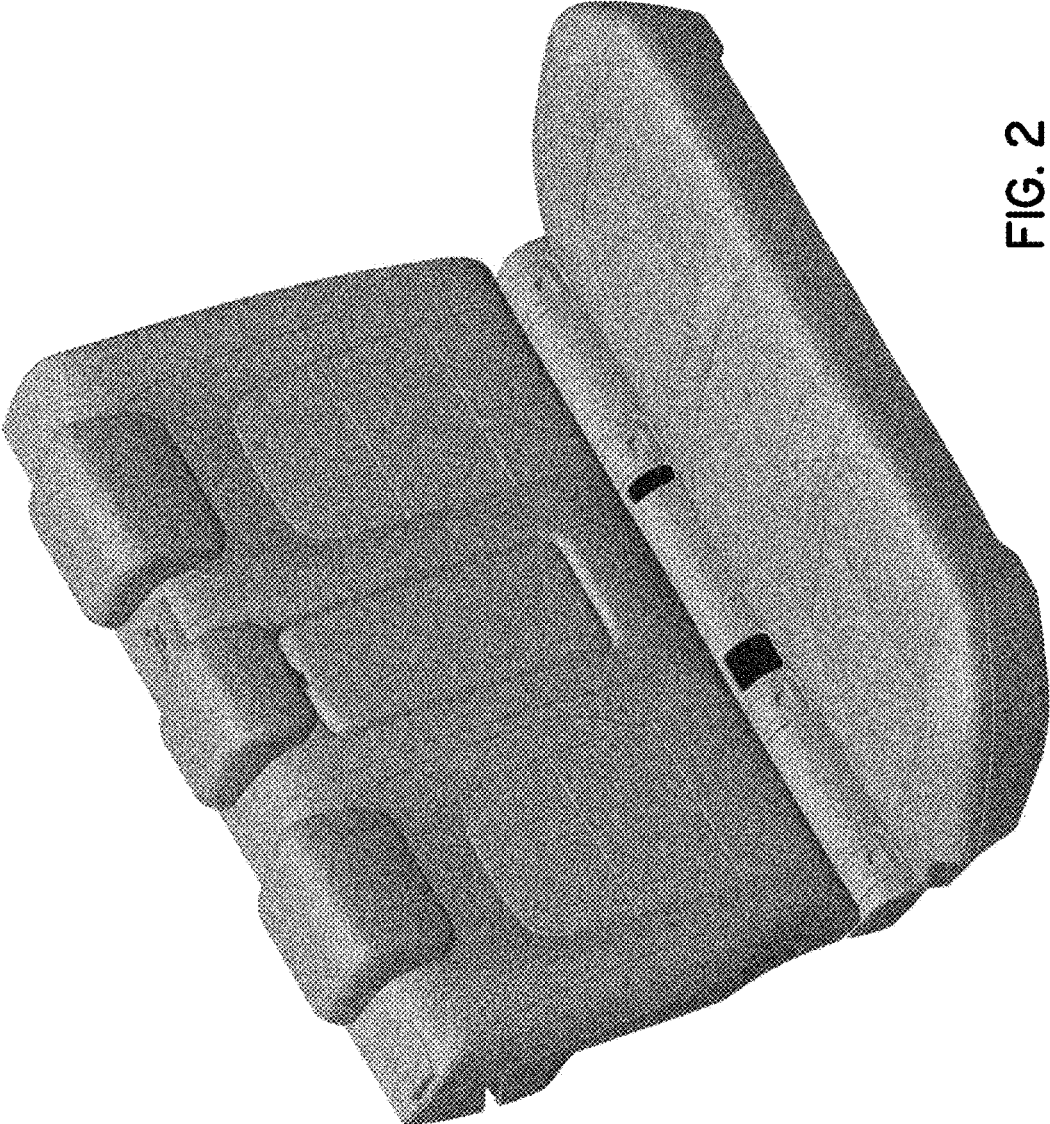


FIG. 2

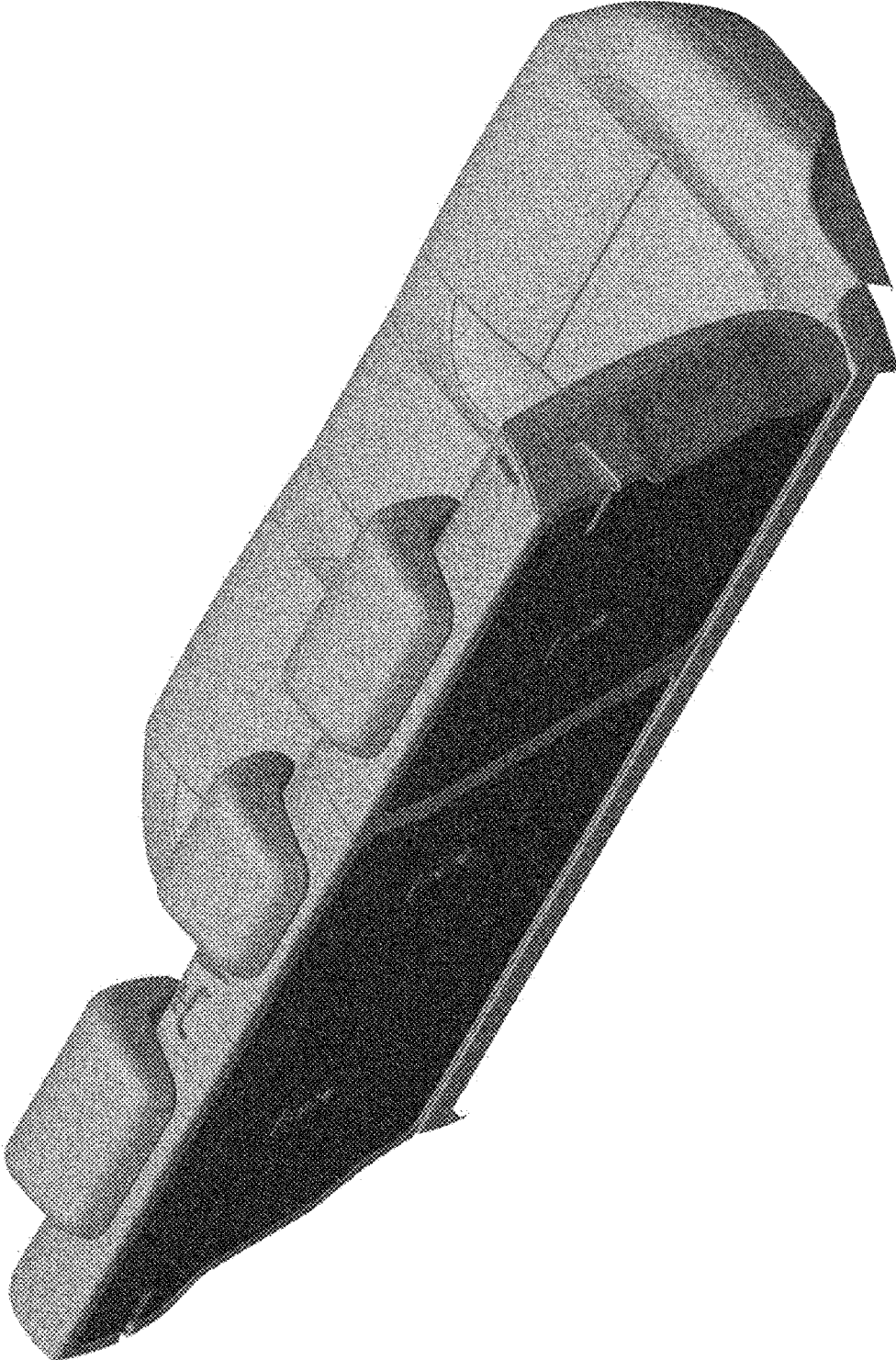


FIG. 3

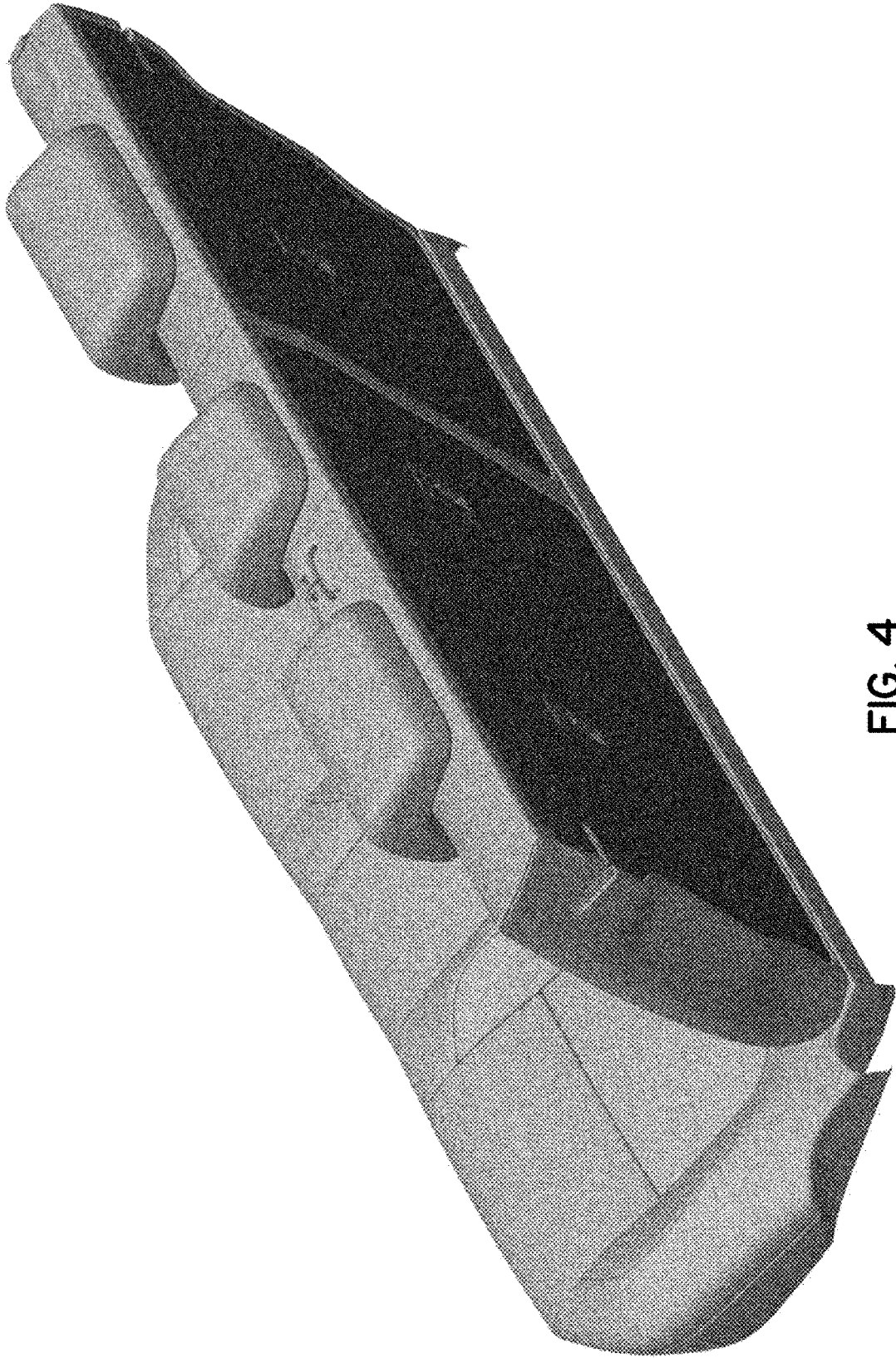


FIG. 4

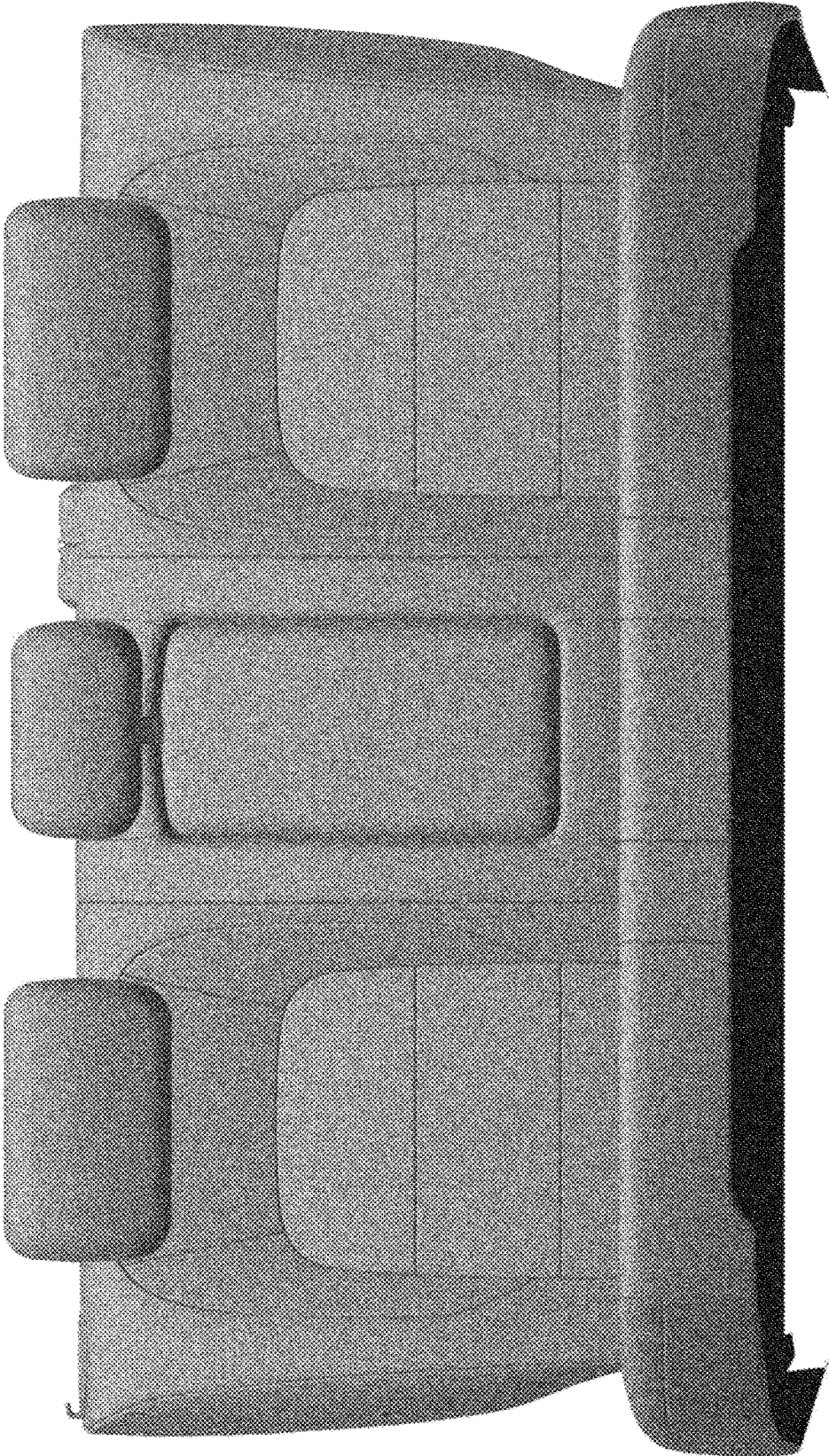


FIG. 5

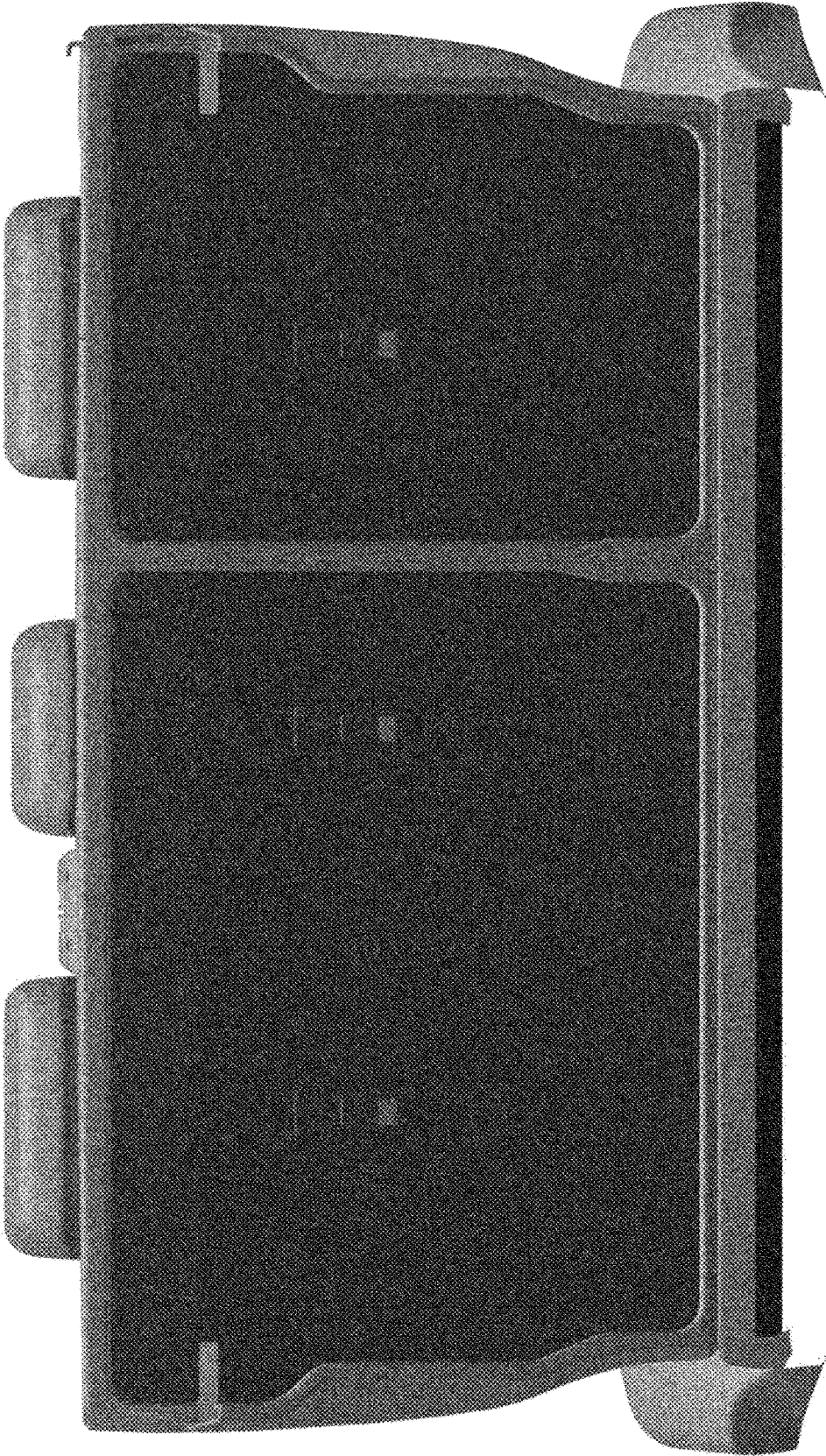


FIG. 6

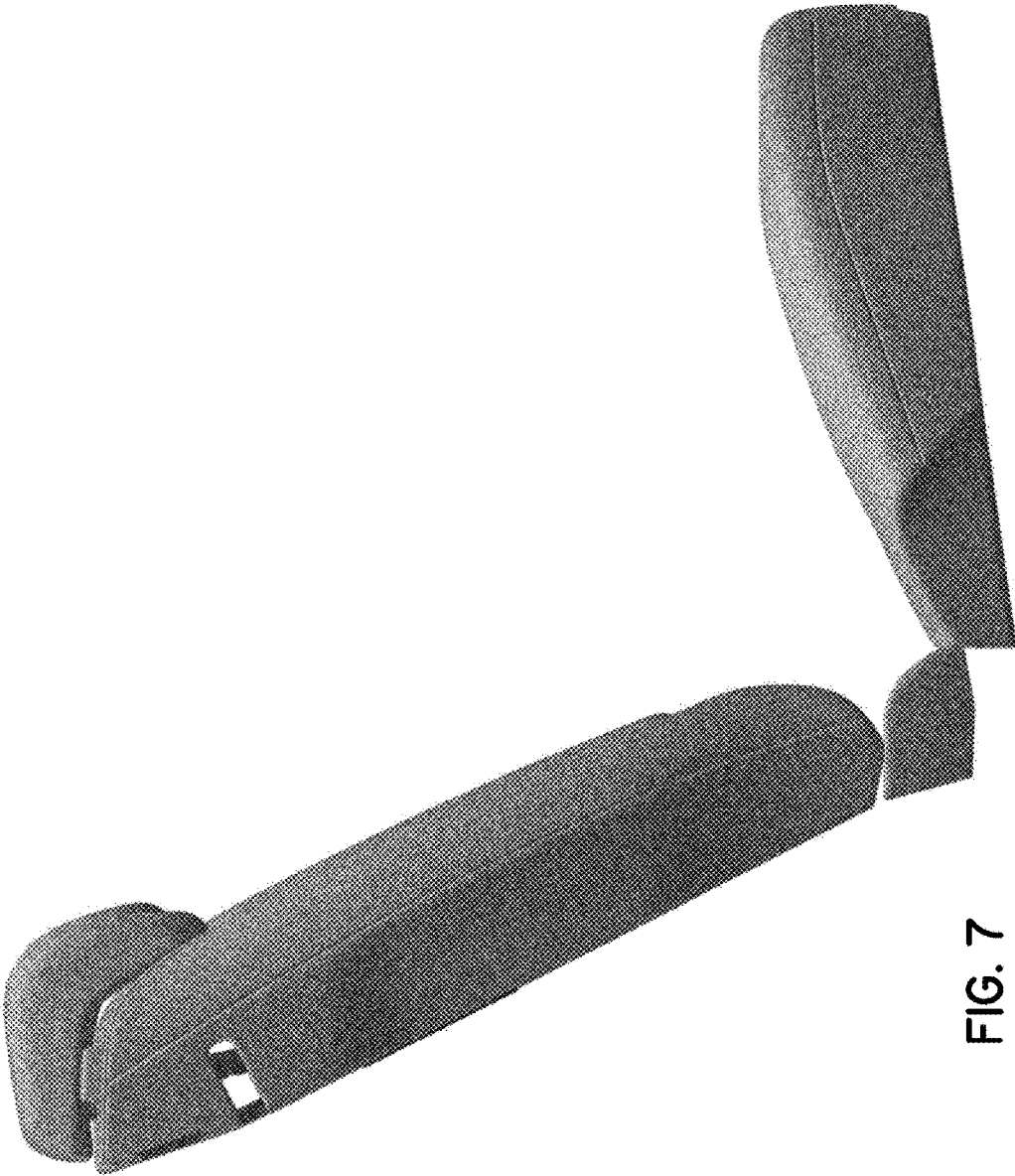


FIG. 7

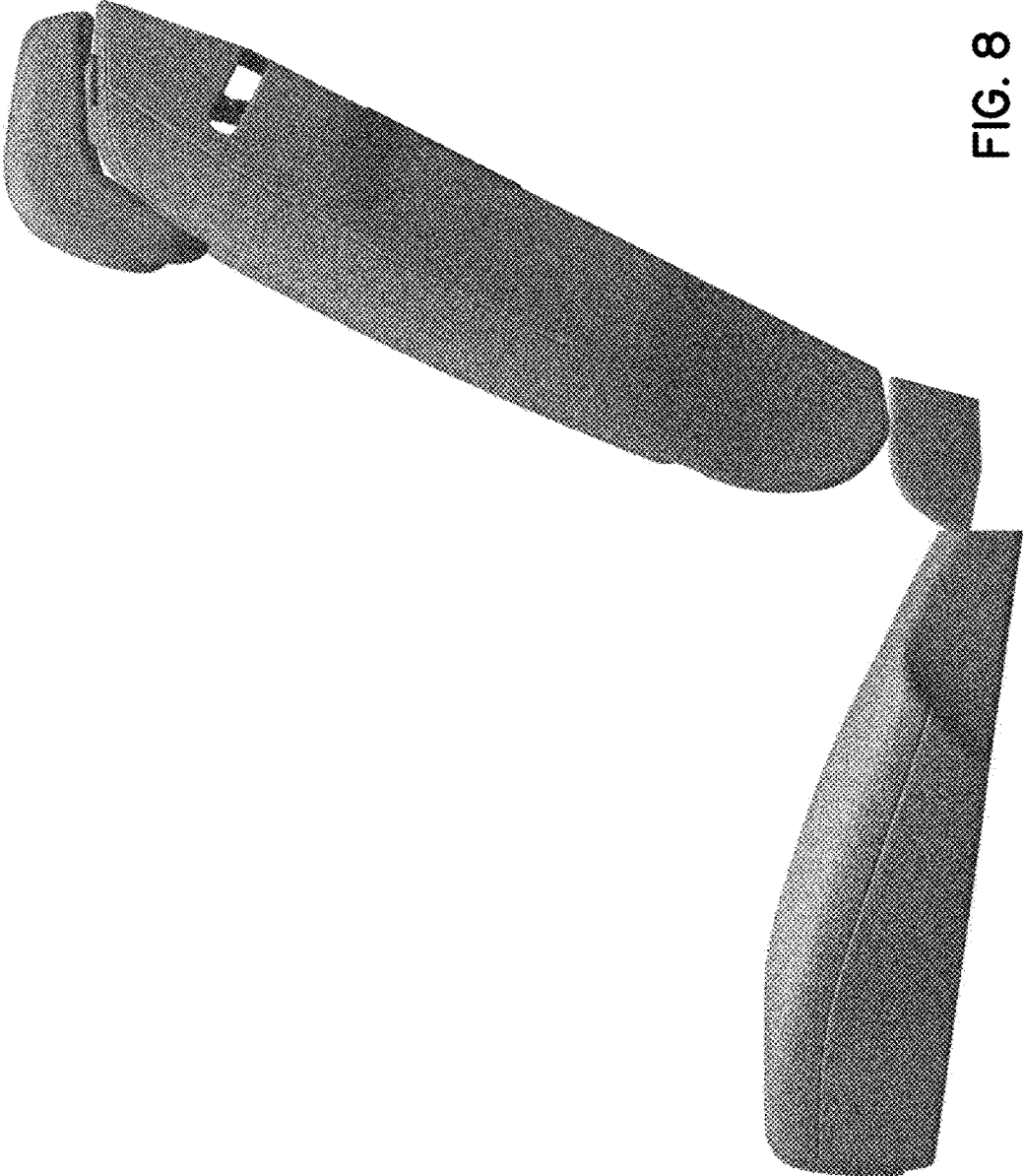


FIG. 8

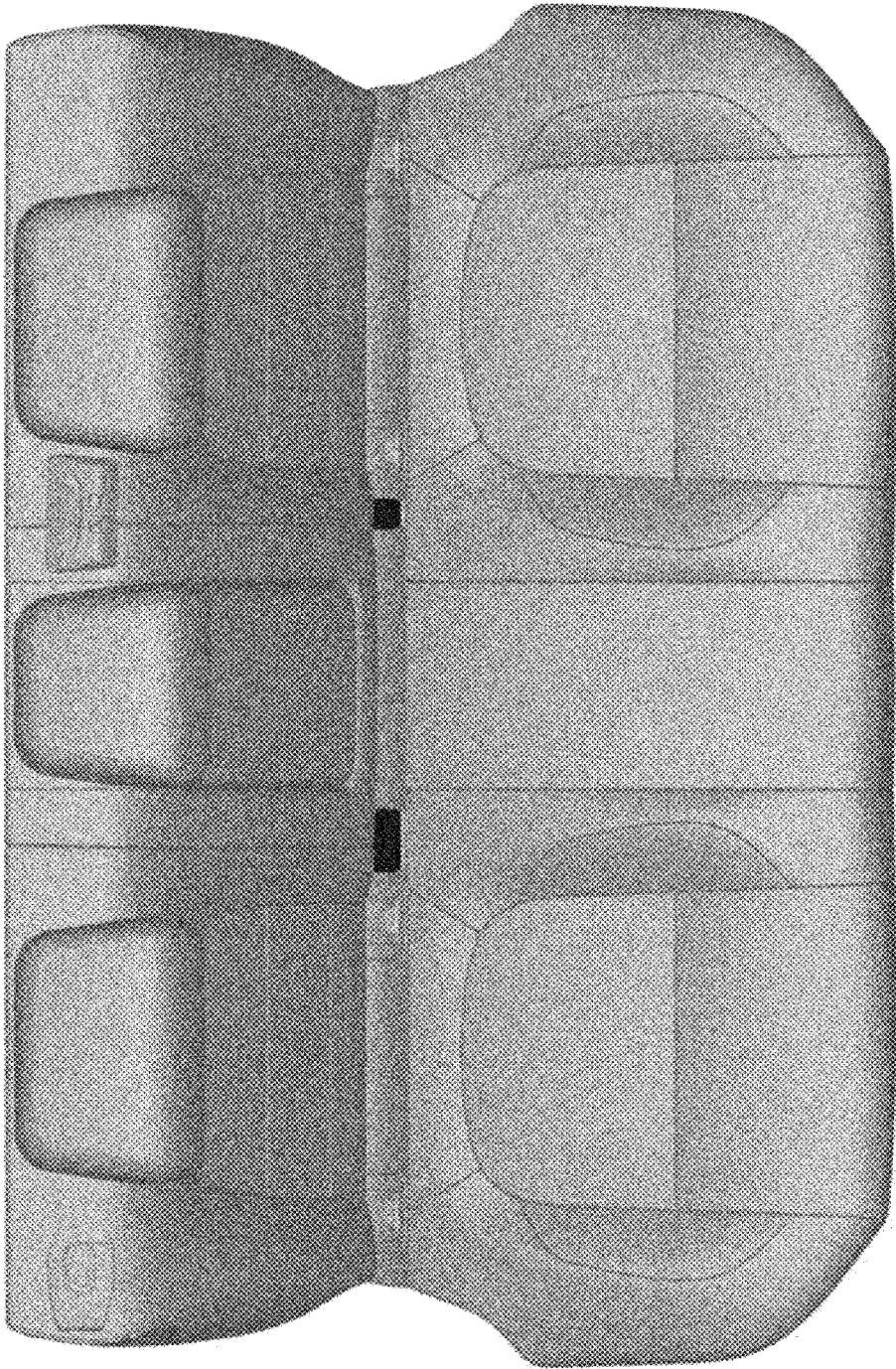


FIG. 9



FIG. 10



FIG. 11

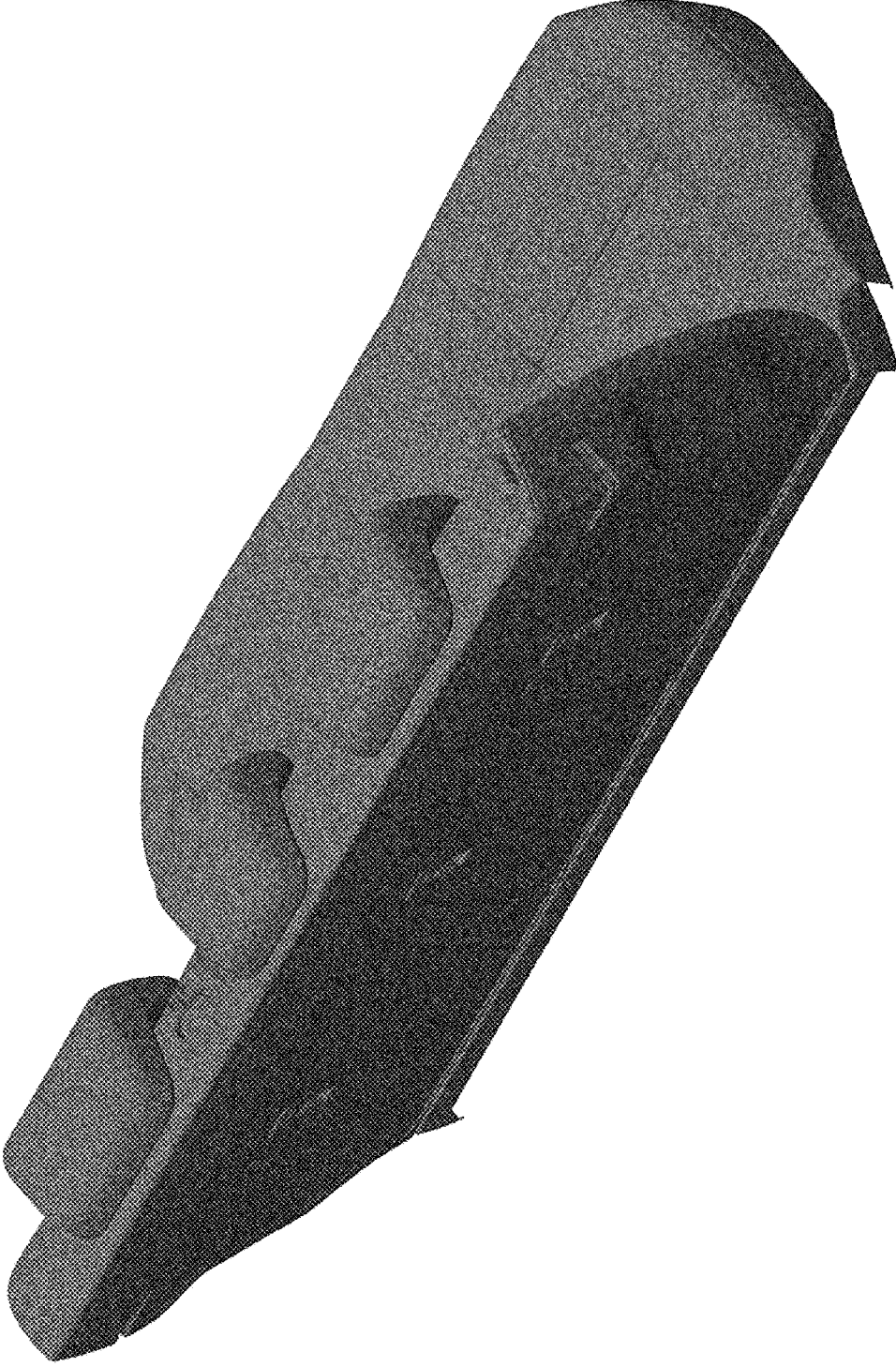


FIG. 12

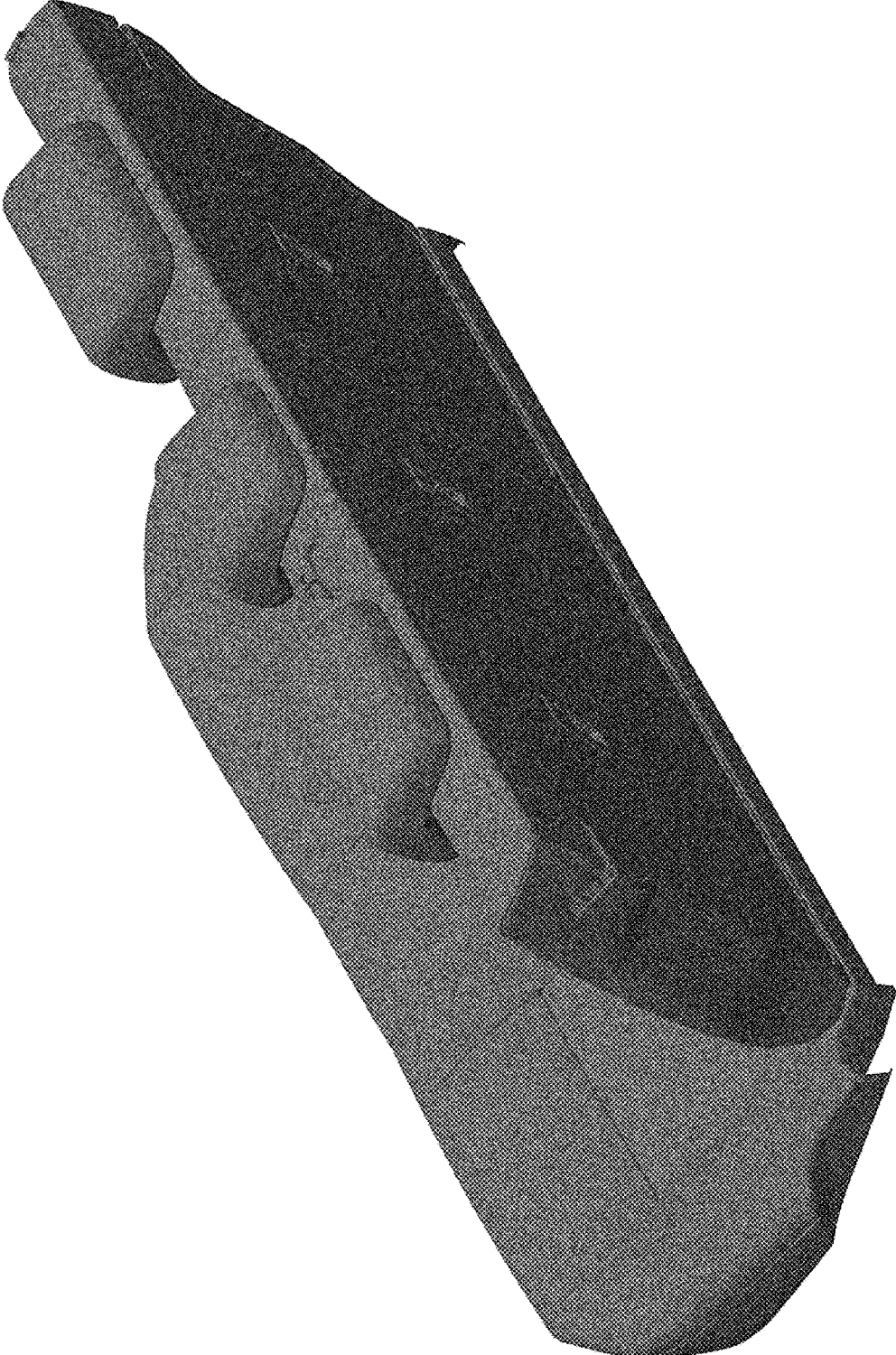


FIG. 13

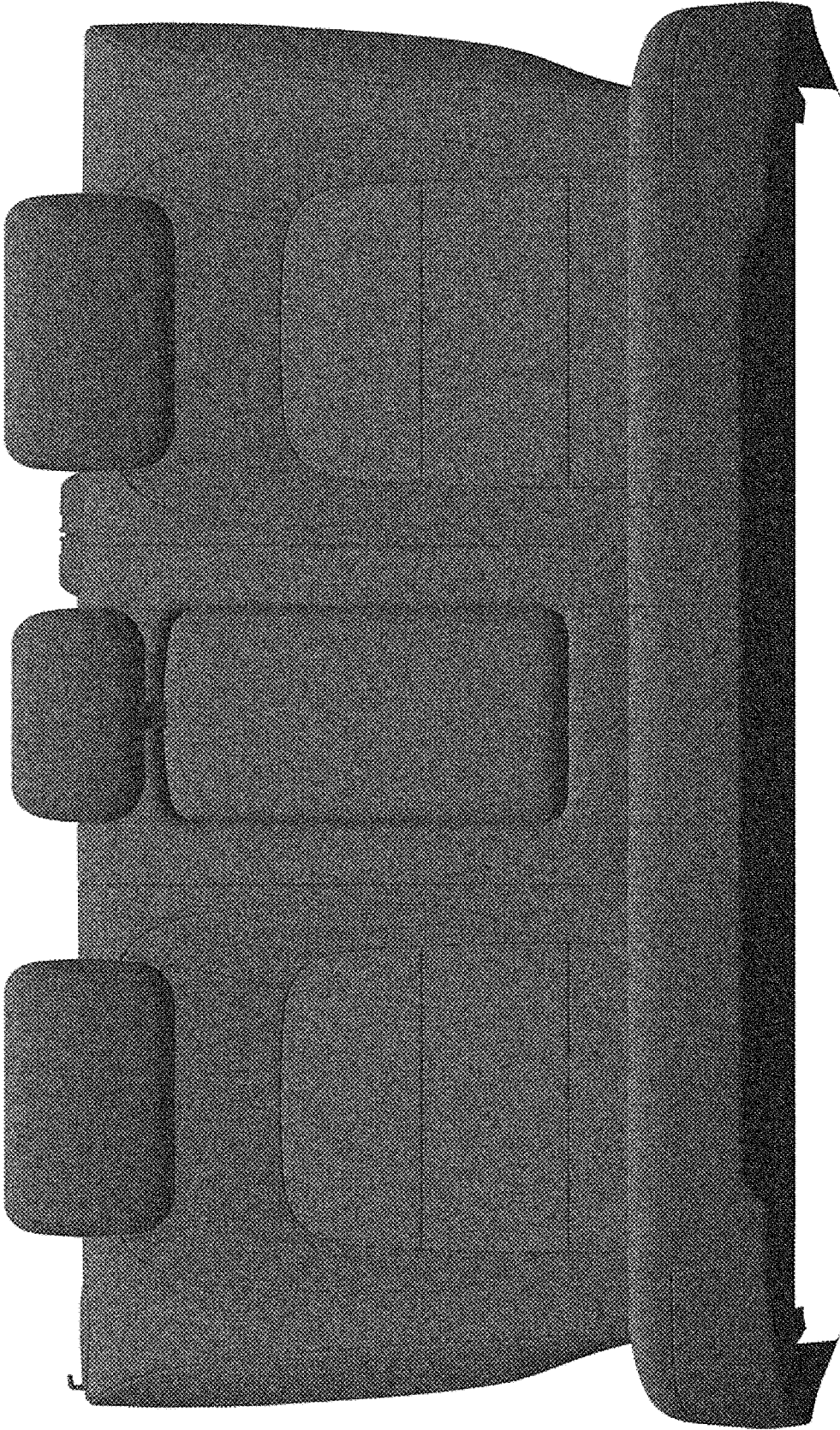


FIG. 14



FIG. 15

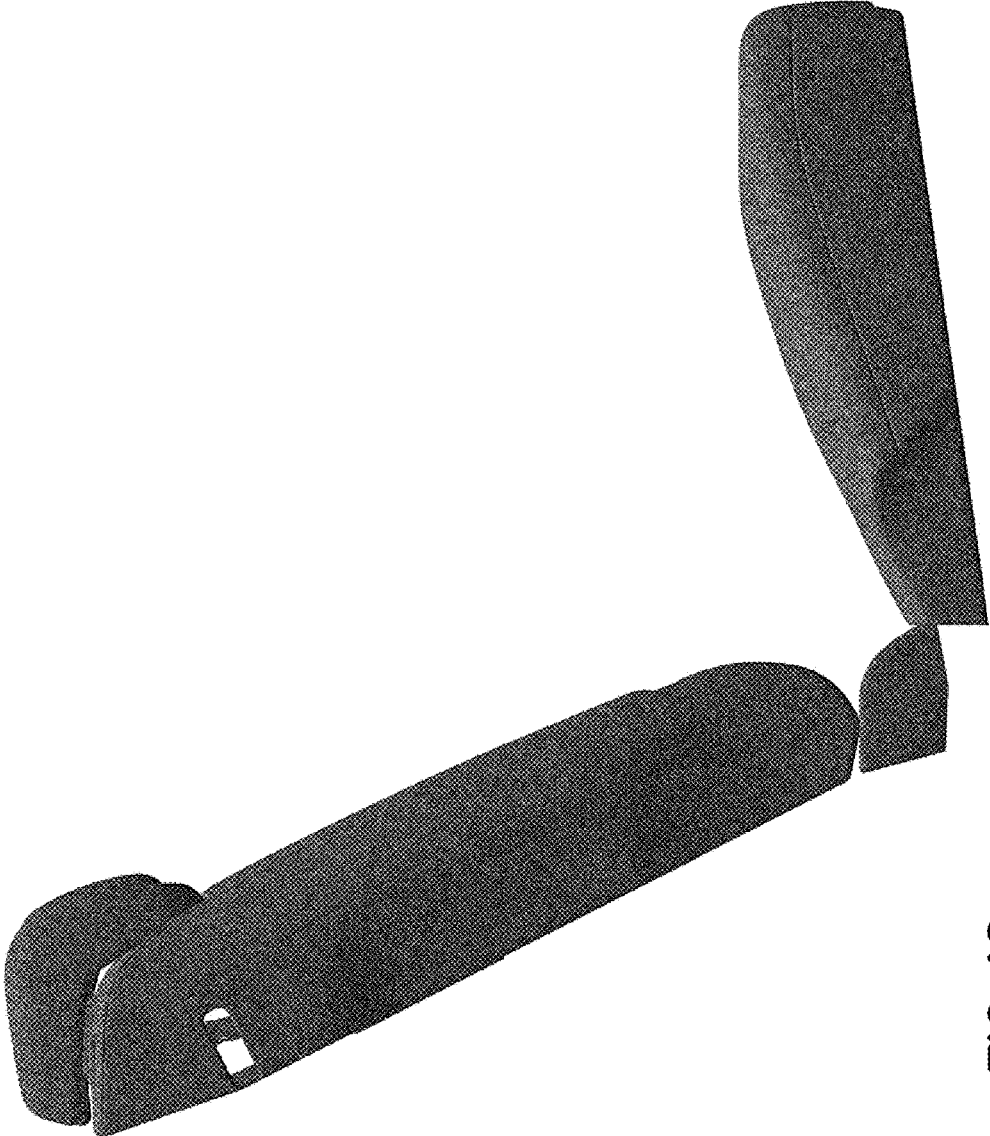


FIG. 16



FIG. 17

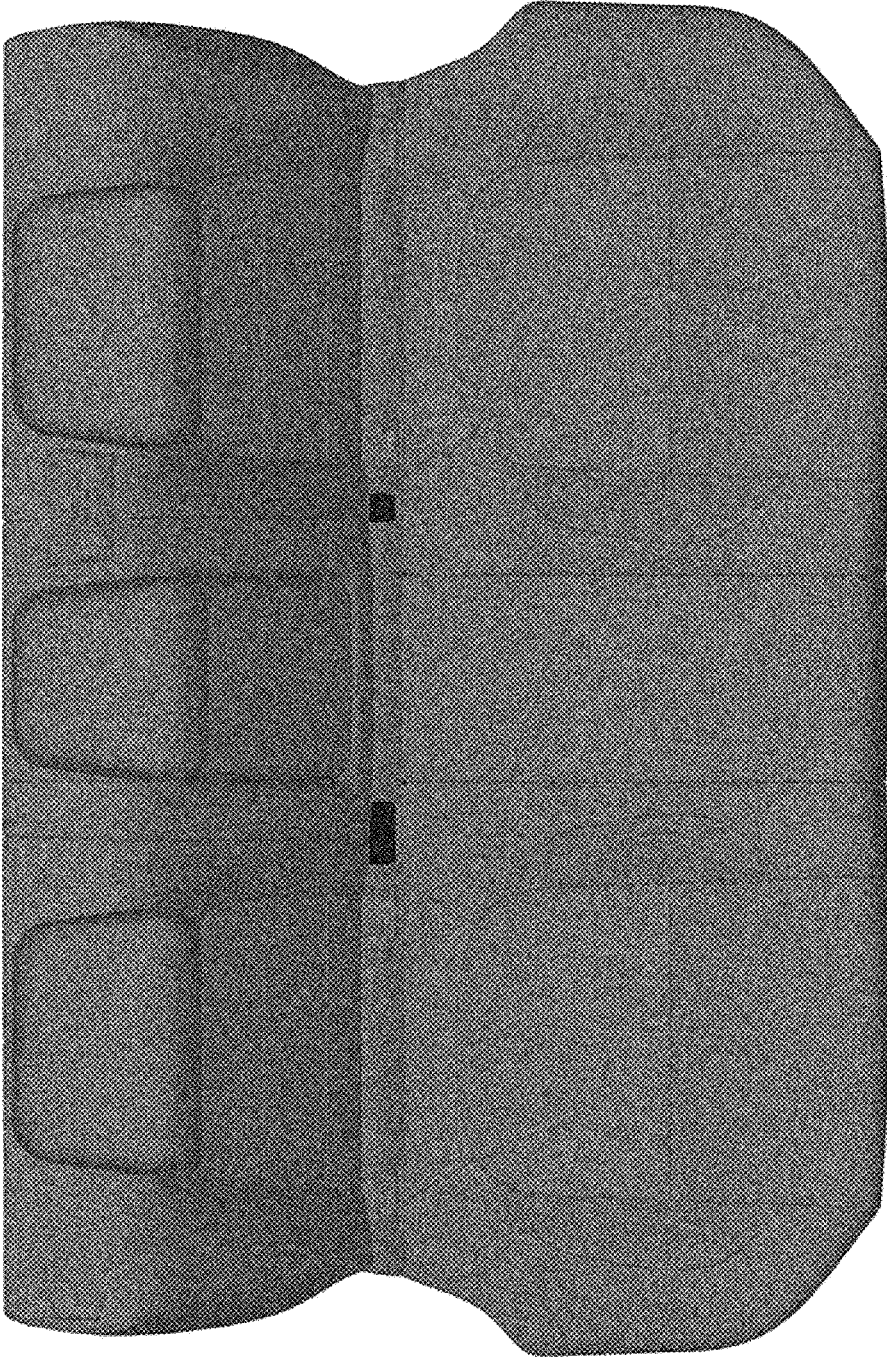


FIG. 18