



US00D920336S

(12) **United States Design Patent**  
**Cheng**

(10) **Patent No.:** **US D920,336 S**

(45) **Date of Patent:** **\*\* May 25, 2021**

(54) **IPAD CASE**

(71) Applicant: **Shaogang Cheng**, Anhui (CN)

(72) Inventor: **Shaogang Cheng**, Anhui (CN)

(\*\*) Term: **15 Years**

(21) Appl. No.: **29/716,920**

(22) Filed: **Dec. 12, 2019**

(51) **LOC (13) Cl.** ..... **14-02**

(52) **U.S. Cl.**  
USPC ..... **D14/440**

(58) **Field of Classification Search**  
USPC ..... D14/440, 447, 250; 206/45.23, 320,  
206/45.2; 361/679.55; 294/25; 224/218  
CPC ..... G06F 1/1628; G06F 1/1626; G06F 1/699;  
A47B 23/044; H04B 1/3888  
See application file for complete search history.

D770,458 S *	11/2016	Corcoran	.....	D14/440
D771,030 S *	11/2016	Tussy	.....	D14/250
D772,288 S *	11/2016	Montes	.....	D14/489
D775,198 S *	12/2016	Montes	.....	D14/489
D794,626 S *	8/2017	Armstrong	.....	D14/250
D806,082 S *	12/2017	Armstrong	.....	D14/440
D811,412 S *	2/2018	McCurdy	.....	D14/440
D832,269 S *	10/2018	Cheng	.....	D14/440
D832,271 S *	10/2018	Cheng	.....	D14/440
10,148,307 B2 *	12/2018	Shannon, III	.....	G06F 1/1628
D843,377 S *	3/2019	Tang	.....	D14/440
D844,621 S *	4/2019	Chen	.....	D14/440
D851,648 S *	6/2019	Tan	.....	D14/440
D852,203 S *	6/2019	Rui	.....	D14/440
D852,802 S *	7/2019	Gao	.....	D14/440
D861,665 S *	10/2019	Li	.....	D14/250
D868,071 S *	11/2019	Liu	.....	D14/440
D868,788 S *	12/2019	Weng	.....	D14/440
D868,789 S *	12/2019	Weng	.....	D14/440
D868,791 S *	12/2019	Weng	.....	D14/440
D872,093 S *	1/2020	Xu	.....	D14/440

(Continued)

*Primary Examiner* — Cynthia R Underwood

(56) **References Cited**

**U.S. PATENT DOCUMENTS**

6,726,070 B2 *	4/2004	Lautner	.....	A44C 5/0007 224/221
D597,052 S *	7/2009	Kim	.....	D14/138 AB
D634,314 S *	3/2011	Fahrendorff	.....	D14/250
D649,144 S *	11/2011	Fathollahi	.....	D14/250
D685,358 S *	7/2013	Armstrong	.....	D14/250
D685,786 S *	7/2013	Seoc	.....	D14/353
D690,292 S *	9/2013	Bibla	.....	D14/250
8,690,210 B1 *	4/2014	May	.....	G06F 1/163 294/25
D715,785 S *	10/2014	Jacob	.....	D14/250
D719,144 S *	12/2014	Eulette	.....	D14/250
D721,686 S *	1/2015	Jacob	.....	D14/250
D733,154 S *	6/2015	Armstrong	.....	D14/440
D733,696 S *	7/2015	Burgett	.....	D14/250
D742,869 S *	11/2015	Odhwani	.....	D14/250
D749,592 S *	2/2016	Huang	.....	D14/440
D768,123 S *	10/2016	Armstrong	.....	D14/250

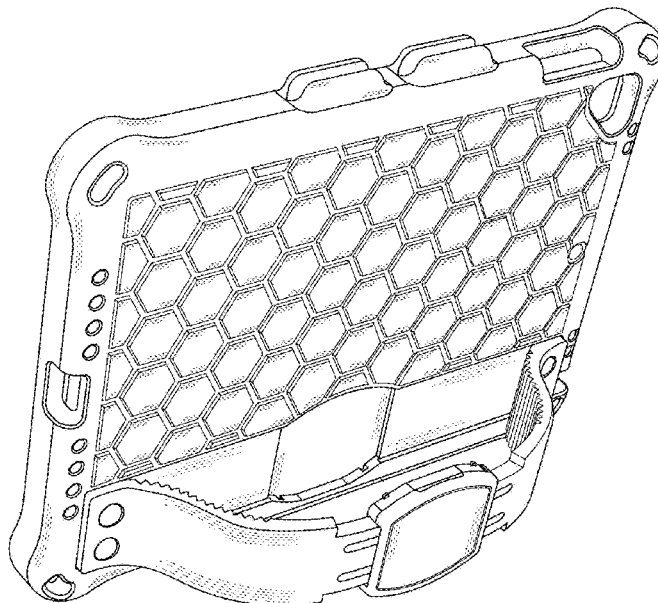
(57) **CLAIM**

The ornamental design for an ipad case, as shown and described.

**DESCRIPTION**

FIG. 1 is a front elevation view of an ipad case showing my new design;  
FIG. 2 is a rear elevation view thereof;  
FIG. 3 is a left side elevation view thereof;  
FIG. 4 is a right side elevation view thereof;  
FIG. 5 is a top plan view thereof;  
FIG. 6 is a bottom plan view thereof;  
FIG. 7 is a front and bottom perspective view thereof;  
FIG. 8 is a rear perspective view thereof; and,  
FIG. 9 is a perspective view thereof, showing a using state.

**1 Claim, 9 Drawing Sheets**



(56)

**References Cited**

U.S. PATENT DOCUMENTS

D875,089	S *	2/2020	Hemesath .....	D14/250	2011/0309117	A1 *	12/2011	Roberts .....	H04M 1/04
D879,790	S *	3/2020	Donachy .....	D14/444					224/217
D885,399	S *	5/2020	Chen .....	D14/440	2012/0091312	A1 *	4/2012	Baker .....	F16M 13/04
D892,803	S *	8/2020	Armstrong .....	D14/440					248/682
D898,747	S *	10/2020	Deng .....	D14/440	2014/0054910	A1 *	2/2014	Kim .....	H04B 1/3888
D906,337	S *	12/2020	Cheng .....	D14/440					294/158
D909,390	S *	2/2021	Kim .....	D14/440	2014/0152034	A1 *	6/2014	Tussy .....	F16M 11/10
2004/0226973	A1 *	11/2004	Kao .....	G06F 1/163					294/142
				224/218	2015/0009610	A1 *	1/2015	London .....	G06F 1/163
2007/0215512	A1 *	9/2007	Bellissimo .....	A47G 23/0625					361/679.03
				206/557	2015/0201743	A1 *	7/2015	Erickson-Davis .....	H04B 1/385
2009/0219677	A1 *	9/2009	Mori .....	A45F 5/00					224/218
				361/679.03	2019/0142992	A1 *	5/2019	Davidson .....	C08G 18/10
2011/0267748	A1 *	11/2011	Lane .....	A45F 5/00					424/445
				361/679.01	2019/0144163	A1 *	5/2019	Lim .....	B65D 19/385
2011/0297566	A1 *	12/2011	Gallagher .....	F16M 11/2021					108/53.5
				206/320	2019/0149808	A1 *	5/2019	Ng .....	H04N 13/327
									348/59
					2019/0275714	A1 *	9/2019	Kanoh .....	B29C 45/14065

\* cited by examiner

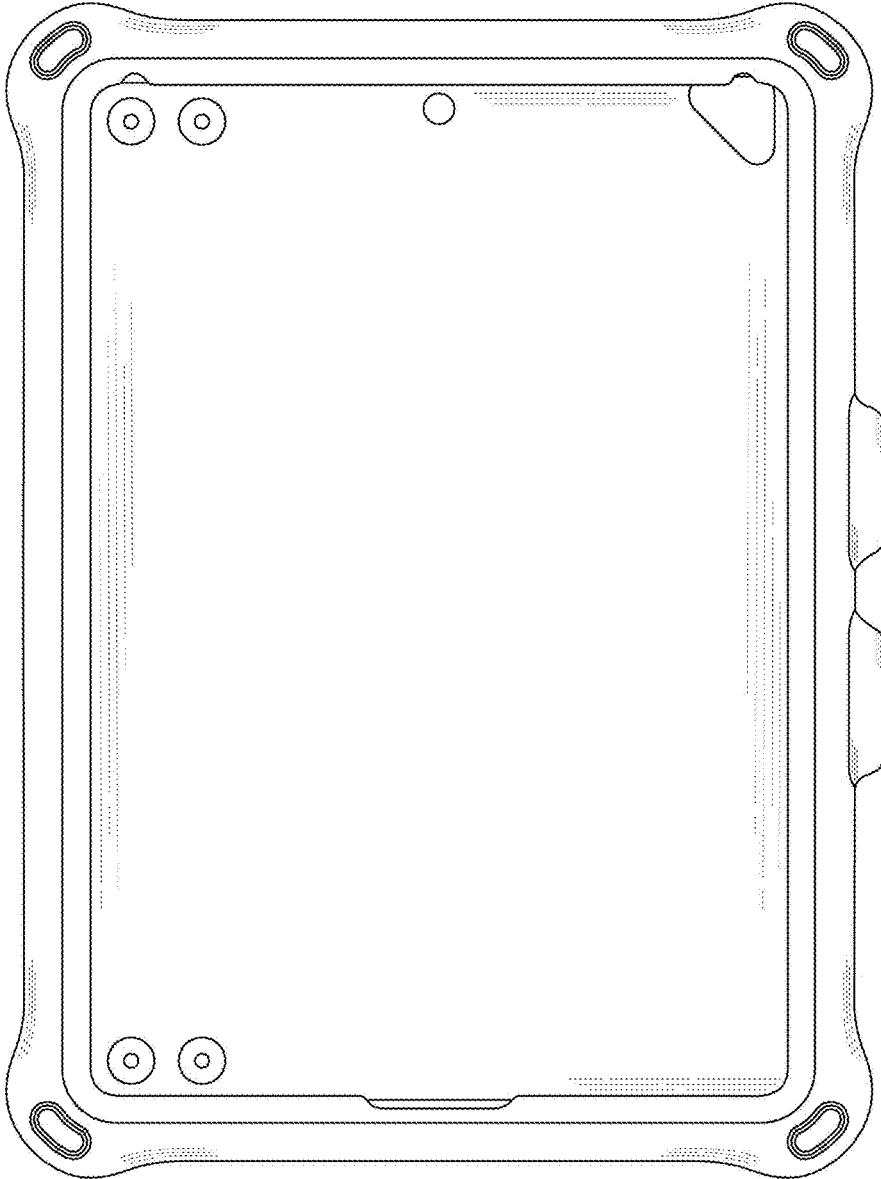


FIG.1

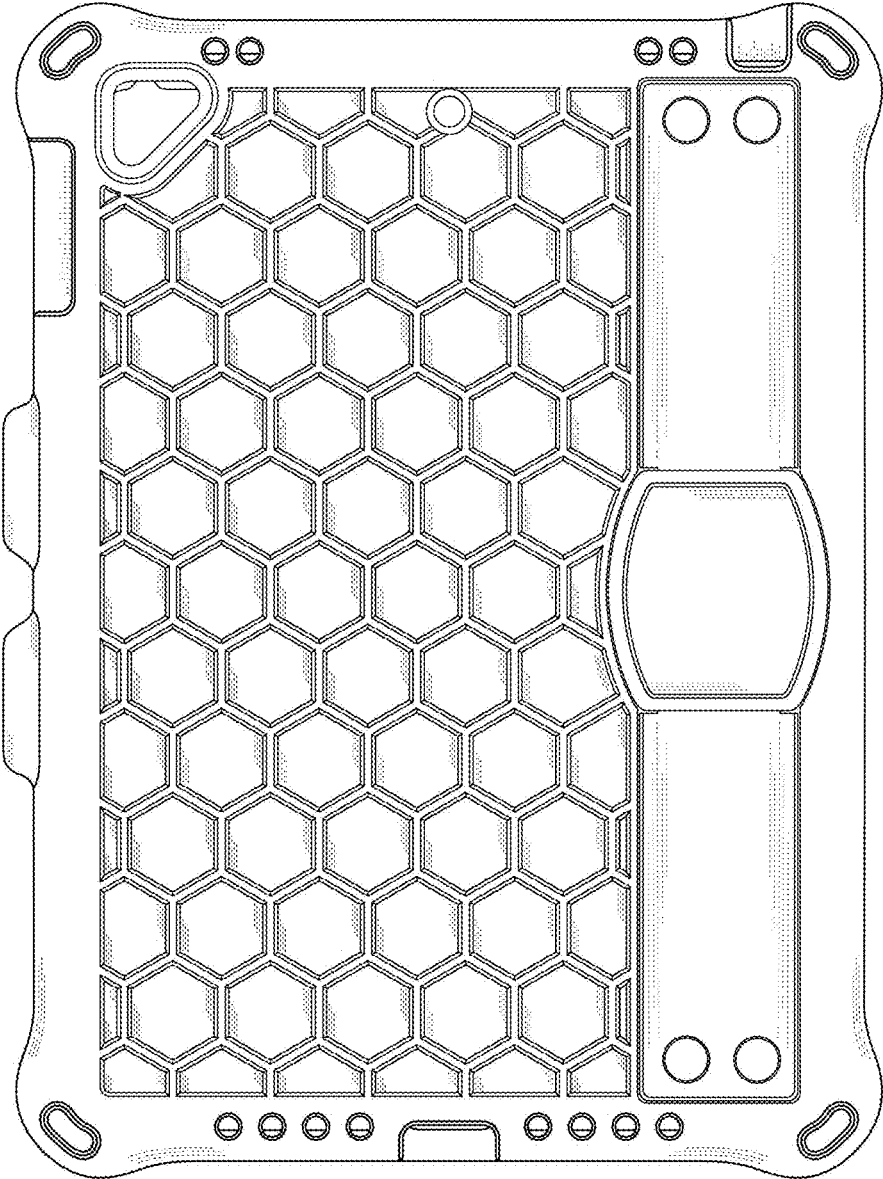


FIG.2

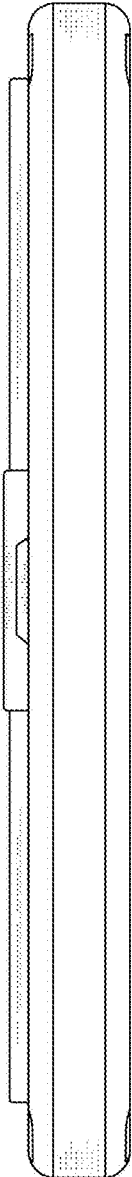


FIG.3

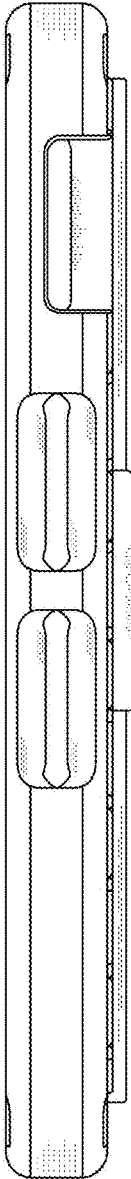


FIG.4

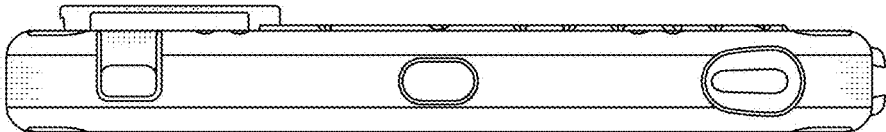


FIG.5

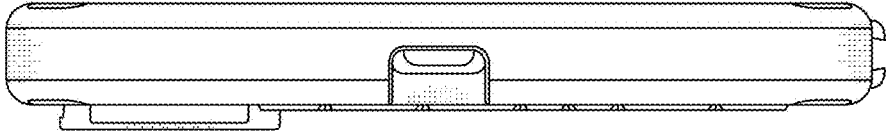


FIG.6



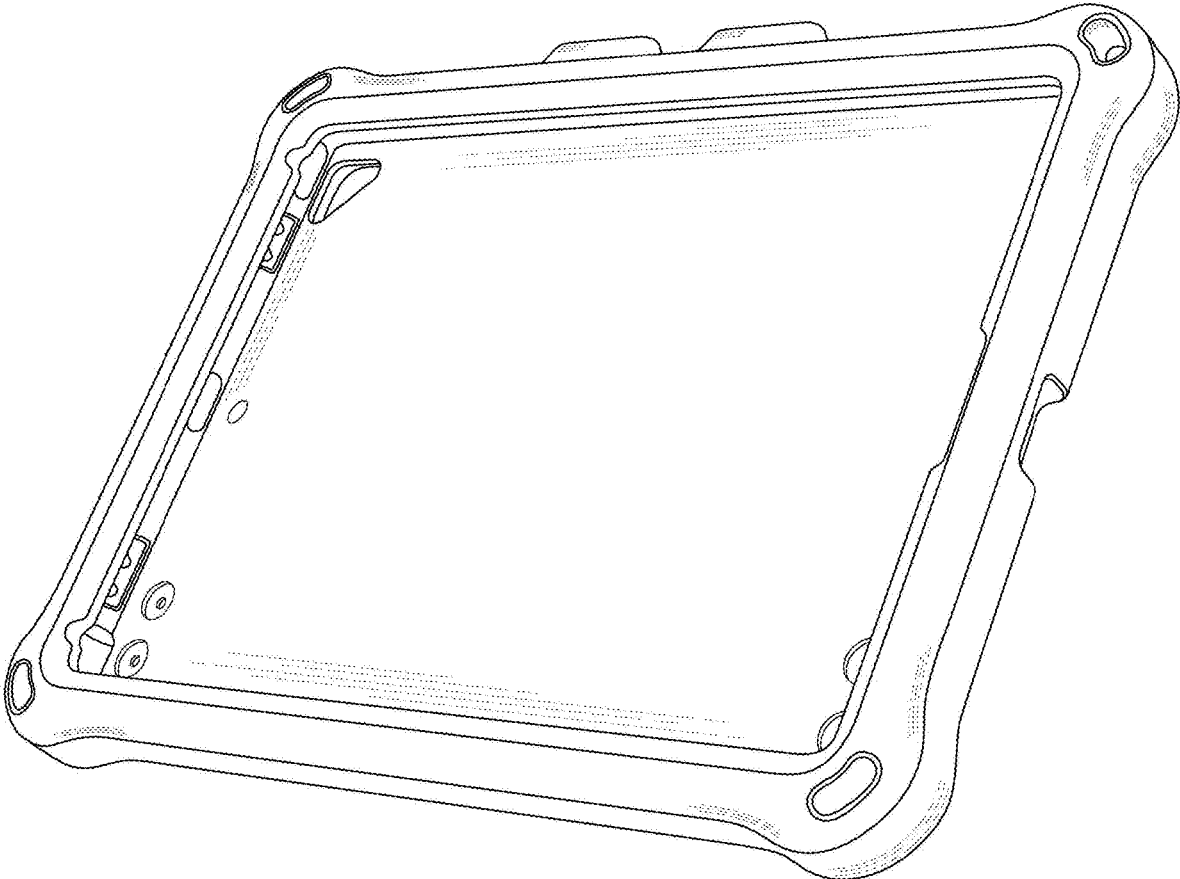


FIG. 7

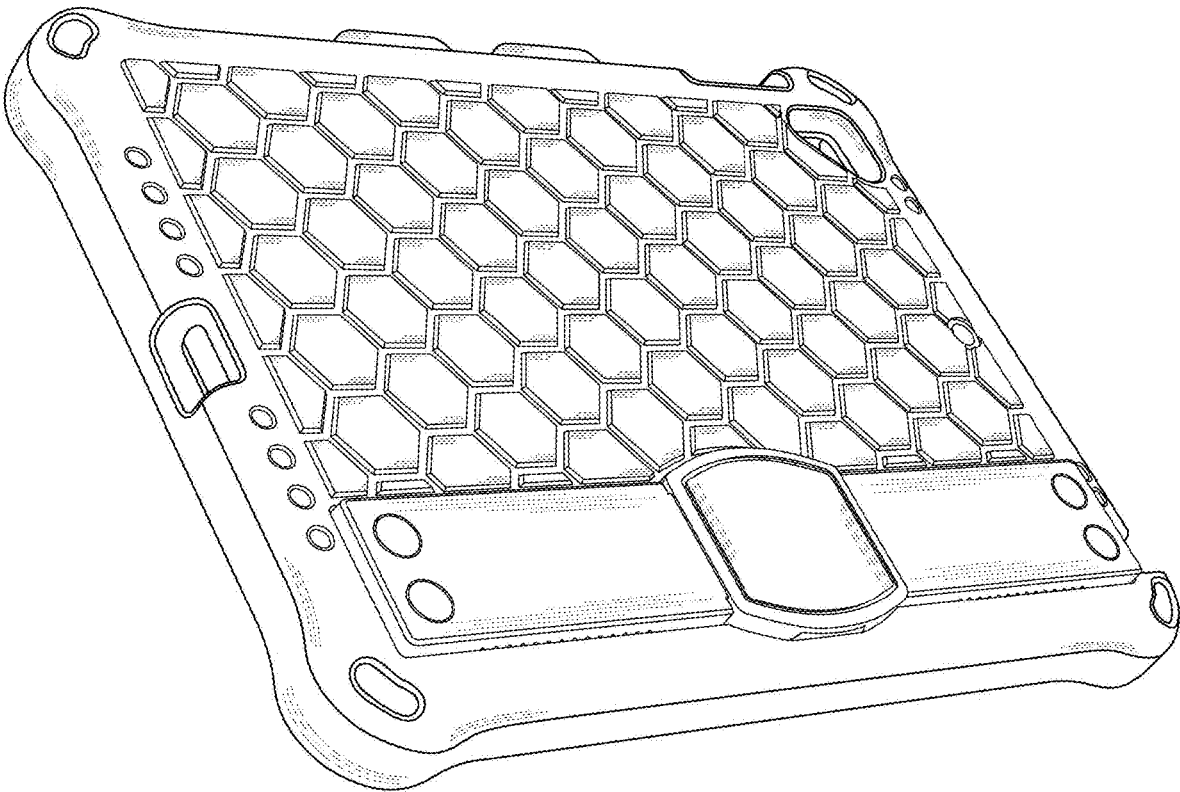


FIG. 8

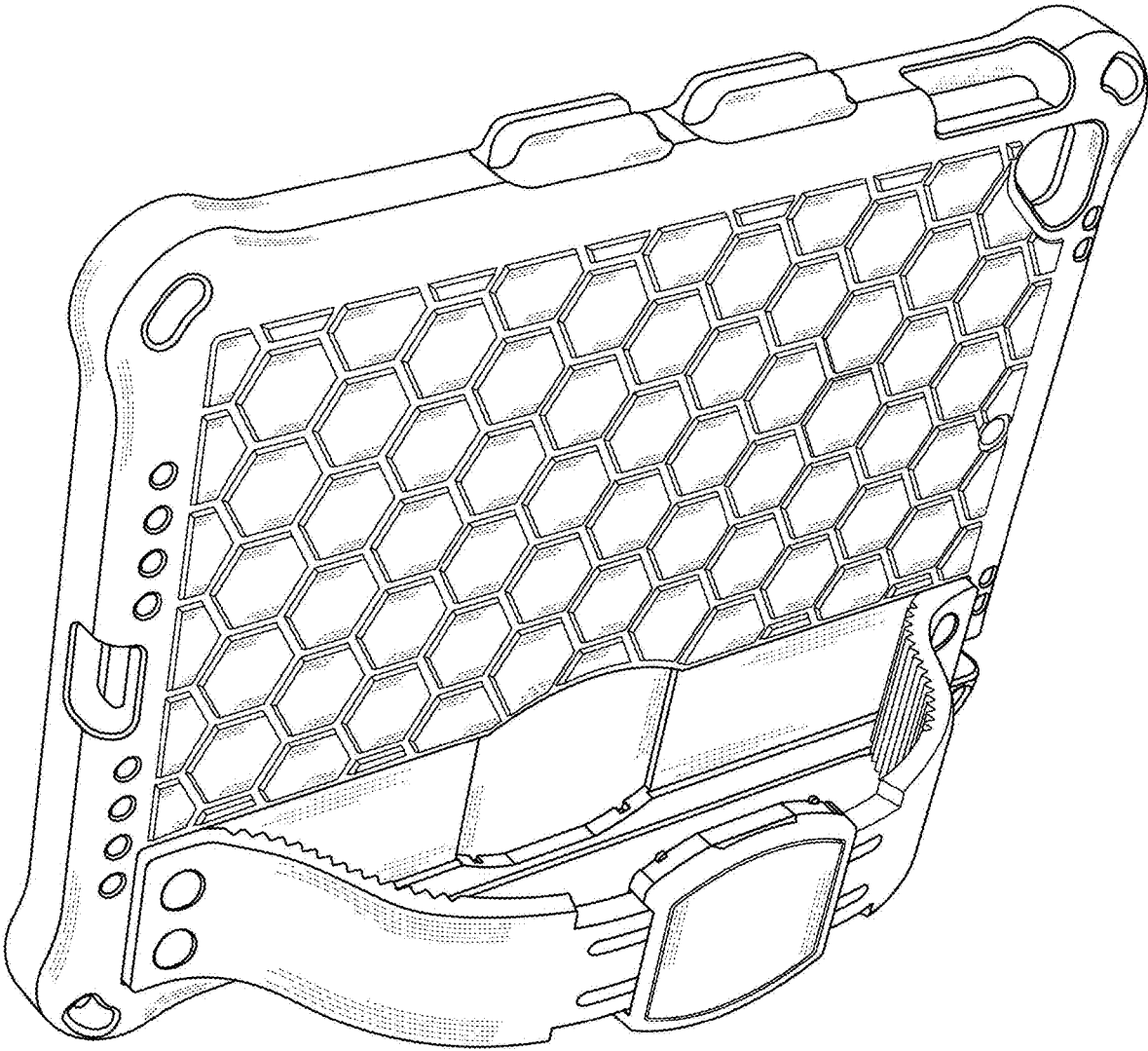


FIG. 9