



US00D851360S

(12) **United States Design Patent**
Whittaker et al.

(10) **Patent No.:** **US D851,360 S**

(45) **Date of Patent:** **** Jun. 18, 2019**

(54) **HAMMOCK SLEEPING BAG**

(71) Applicant: **Hunting Vitals LLC**, Cedar City, UT (US)

(72) Inventors: **Tayson Whittaker**, Cedar City, UT (US); **Darren Styler**, Enoch, UT (US)

(73) Assignee: **Hunting Vitals LLC**, Cedar City, UT (US)

(**) Term: **15 Years**

(21) Appl. No.: **29/594,257**

(22) Filed: **Feb. 16, 2017**

(51) **LOC (11) Cl.** **02-01**

(52) **U.S. Cl.**
USPC **D2/719**

(58) **Field of Classification Search**
USPC D2/719; D6/589, 595, 596, 598,
D6/601-603, 617; D21/803-809
(Continued)

(56) **References Cited**

U.S. PATENT DOCUMENTS

- 2,321,966 A * 6/1943 Andersson A45F 3/22
2/69.5
- 3,675,256 A 7/1972 Tallarico
(Continued)

OTHER PUBLICATIONS

“New Product >> Hammock Sleeping Bag!”, accessed at <<<https://www.wiggys.com/wiggys-blog/new-product-hammock-sleeping-bag/>>>, posting date: May 4, 2016, 3 Pages.

(Continued)

Primary Examiner — Michelle E. Wilson

Assistant Examiner — Clese Moore, Jr.

(74) *Attorney, Agent, or Firm* — Goff IP Law PLLC;
Jared S. Goff

(57) **CLAIM**

We claim the ornamental design for a hammock sleeping bag, as shown and described.

DESCRIPTION

FIG. 1 is a perspective view of a hammock sleeping bag not mounted on a hammock, as viewed from the top, front, and right of the hammock sleeping bag, with a footbox flap on the front side of the hammock sleeping bag being closed.

FIG. 2 is a perspective view of the hammock sleeping bag of FIG. 1 not mounted on a hammock, as viewed from the top, front, and right of the hammock sleeping bag, with a footbox flap on the front side of the hammock sleeping bag being open.

FIG. 3 is a top plan view of the hammock sleeping bag of FIG. 1 not mounted on a hammock.

FIG. 4 is a bottom plan view of the hammock sleeping bag of FIG. 1 not mounted on a hammock.

FIG. 5 is a right side elevation view of the hammock sleeping bag of FIG. 1 not mounted on a hammock.

FIG. 6 is a left side elevation view of the hammock sleeping bag of FIG. 1 not mounted on a hammock.

FIG. 7 is a back elevation view of the hammock sleeping bag of FIG. 1 not mounted on a hammock.

FIG. 8 is a front elevation view of the hammock sleeping bag of FIG. 1 not mounted on a hammock.

FIG. 9 is a perspective view of a hammock sleeping bag mounted on a hammock, as viewed from the top, front, and right of the hammock sleeping bag, with a footbox flap on the front side of the hammock sleeping bag being positioned in an opening (at the footbox) in the front of the bag and extending into the upwardly opening hammock.

FIG. 10 is an enlarged view of the footbox area of the hammock sleeping bag at the front of the hammock of FIG. 9, showing the footbox flap on the front side of the hammock sleeping bag being positioned in an opening (at the footbox) in the front of the bag and extending into the upwardly opening hammock.

FIG. 11 is a top plan view of the hammock sleeping bag of FIG. 9 mounted on a hammock.

FIG. 12 is a bottom plan view of the hammock sleeping bag of FIG. 9 mounted on a hammock.

(Continued)

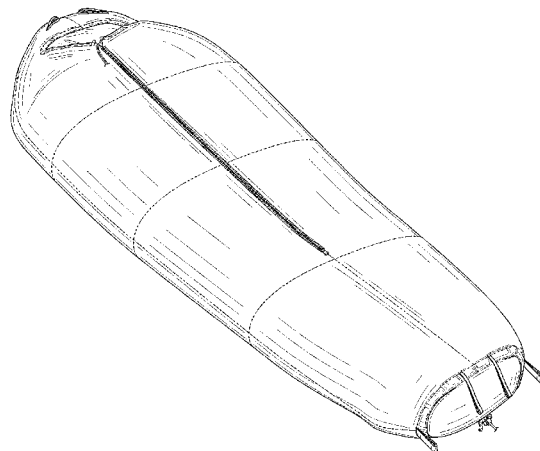


FIG. 13 is a right side elevation view of the hammock sleeping bag of FIG. 9 mounted on a hammock.
 FIG. 14 is a left side elevation view of the hammock sleeping bag of FIG. 9 mounted on a hammock.
 FIG. 15 is a back elevation view of the hammock sleeping bag of FIG. 9 mounted on a hammock; and,
 FIG. 16 is a front elevation view of the hammock sleeping bag of FIG. 9 mounted on a hammock.
 In the drawings, all the figures illustrate the same hammock sleeping bag, with some figures illustrating the hammock sleeping bag and a hammock on which the hammock sleeping bag is mounted, and other figures illustrating the hammock sleeping bag not mounted on a hammock.

1 Claim, 12 Drawing Sheets

(58) **Field of Classification Search**

CPC A41B 13/06; A41B 13/065; A41G 9/08;
 A41G 9/086
 See application file for complete search history.

(56) **References Cited**

U.S. PATENT DOCUMENTS

D230,455 S * 2/1974 Hunt D2/719
 3,964,113 A 6/1976 Dean, II
 4,884,303 A * 12/1989 Scherer A47G 9/086
 5/413 R
 5,072,465 A 12/1991 Lyons, Jr.
 5,560,056 A * 10/1996 Tai A45F 3/22
 297/118
 D382,090 S * 8/1997 Pruett D2/718
 5,799,348 A * 9/1998 Hsu A45F 3/22
 5/122
 D405,585 S * 2/1999 Stevens D2/718
 6,073,282 A * 6/2000 Leeper A47G 9/086
 2/69.5
 6,449,787 B1 * 9/2002 Thorne A47G 9/086
 2/69.5
 D556,470 S * 12/2007 Bergman D6/387
 D557,924 S * 12/2007 Karabin D6/387

D569,159 S * 5/2008 Walker D6/595
 D586,537 S 2/2009 Walker
 D626,309 S * 11/2010 Abrams D2/719
 D629,176 S * 12/2010 Abrams D2/719
 D641,541 S * 7/2011 Abrams D2/719
 D650,152 S * 12/2011 Abrams D2/719
 D654,248 S * 2/2012 Abrams D2/719
 D683,994 S * 6/2013 Logothetis D6/718.1
 D706,069 S * 6/2014 Robbins D6/387
 D714,071 S * 9/2014 Matthews, II D6/387
 D715,028 S 10/2014 Harris
 8,893,328 B1 11/2014 Kroeger
 D742,618 S * 11/2015 Sunnicht D2/719
 2005/0132492 A1 * 6/2005 Orians A45F 3/22
 5/122
 2006/0185085 A1 * 8/2006 Brenner A45F 3/22
 5/413 R
 2009/0151071 A1 * 6/2009 Martin A47G 9/086
 5/413 R
 2010/0256716 A1 * 10/2010 Haislip A41D 15/04
 607/108
 2013/0164520 A1 * 6/2013 Li A47G 9/086
 428/223
 2014/0298584 A1 * 10/2014 Sunnicht A47G 9/0207
 5/413 R
 2014/0345049 A1 * 11/2014 Gash A45F 3/22
 5/121
 2015/0020309 A1 * 1/2015 Pitchforth A47G 9/086
 5/413 AM
 2015/0128345 A1 * 5/2015 Schofield A47G 9/086
 5/413 R

OTHER PUBLICATIONS

Clayborne, "Bison Bag G2 II Sleeping Bag Hammock", Jun. 20, 2016, 2 Pages.
 "DD Hammock Quilt", Accessed on Aug. 25, 2016, 3 Pages.
 "DD Underblanket", Accessed Aug. 25, 2016, 4 Pages.
 "Grand Trunk Hammock Compatible Sleeping Bag", Accessed Aug. 25, 2016, 4 Pages.
 "How Do I Stay Warm in a Hammock?", Accessed Aug. 31, 2016, 16 Pages.
 "Speer PeaPod", Accessed Aug. 25, 2016, 3 Pages.
 "Top Quilt Regular", Accessed Aug. 25, 2016, 2 Pages.
 "Under Quilt (Down)", Accessed Aug. 25, 2016, 2 Pages.

* cited by examiner

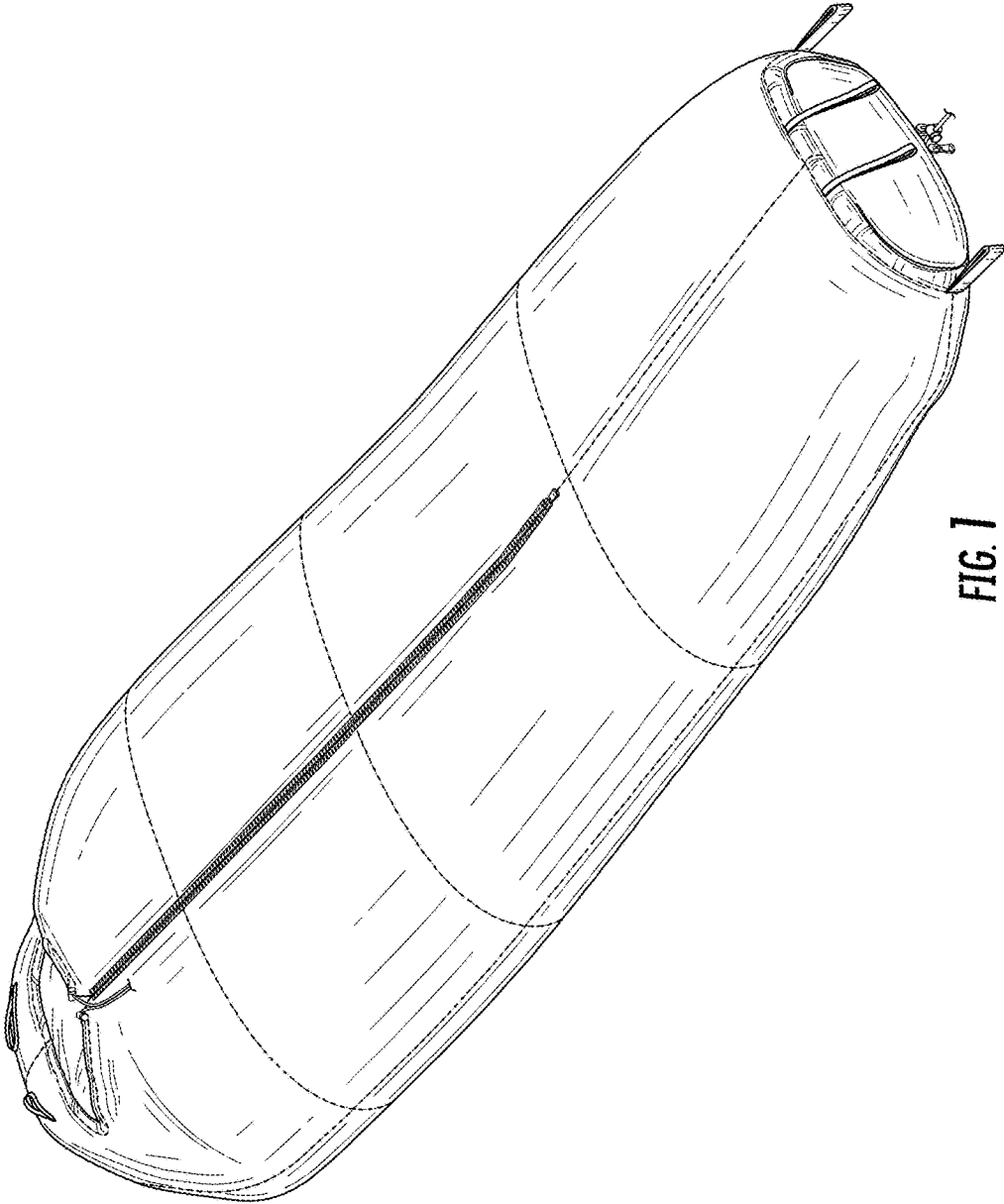


FIG. 1

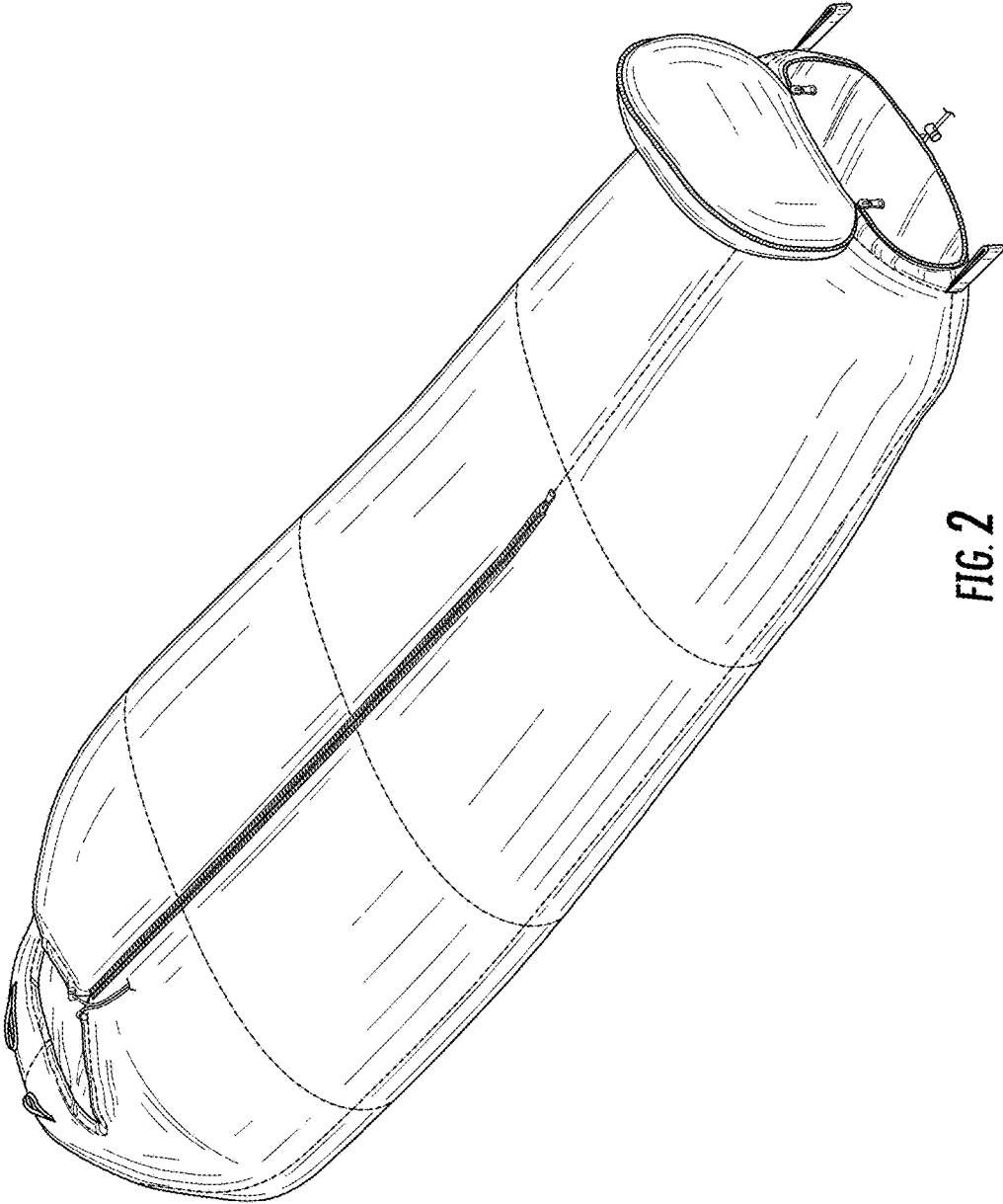


FIG. 2

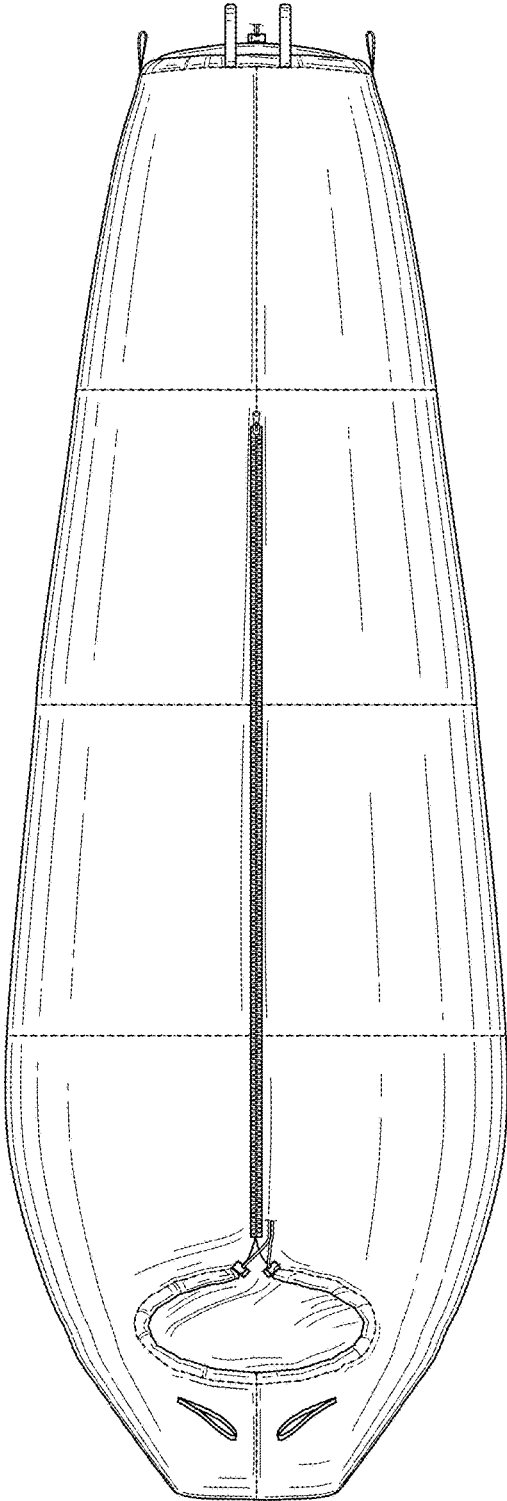


FIG. 3

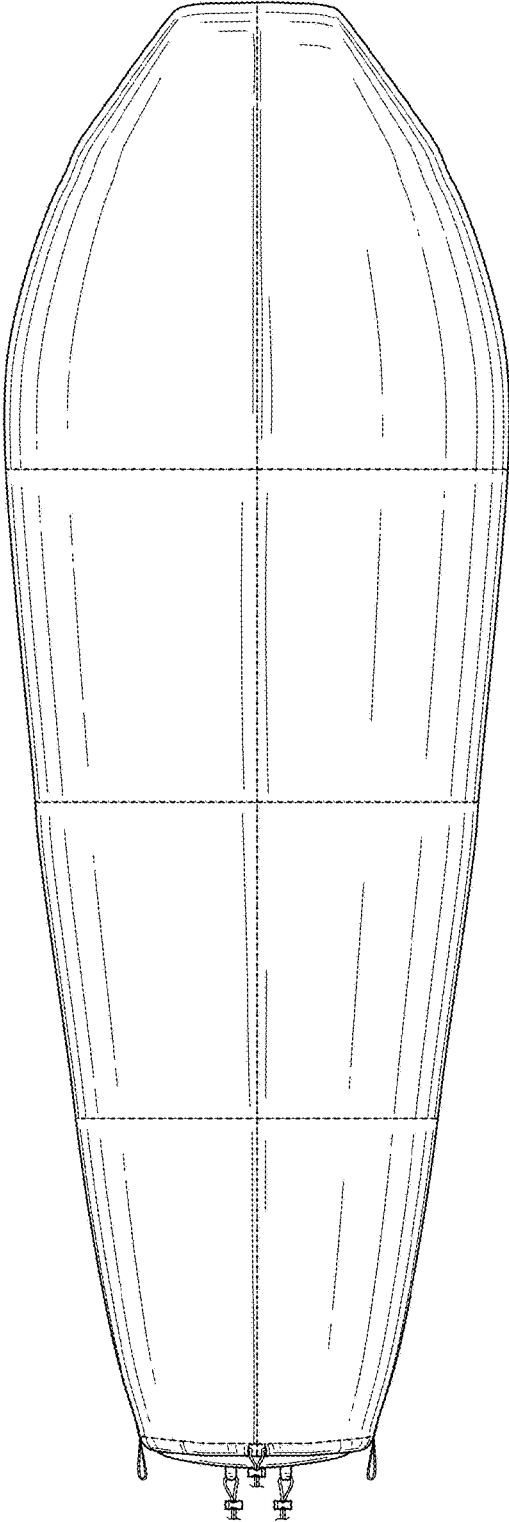


FIG. 4

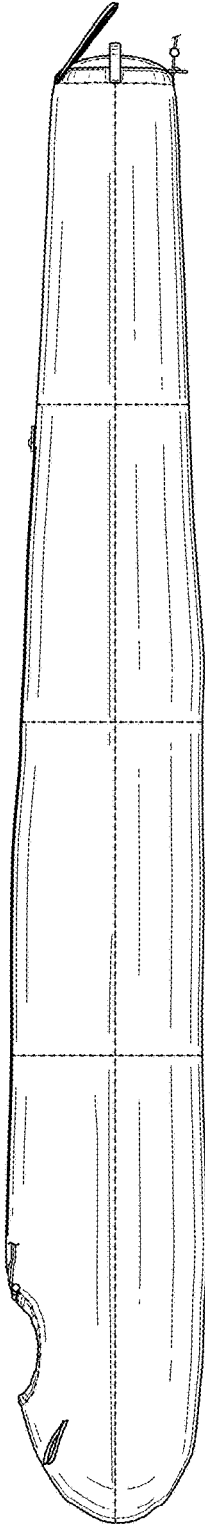


FIG. 5

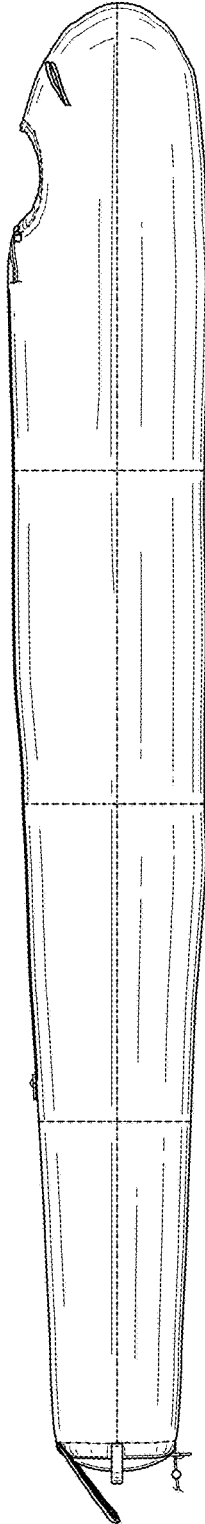


FIG. 6

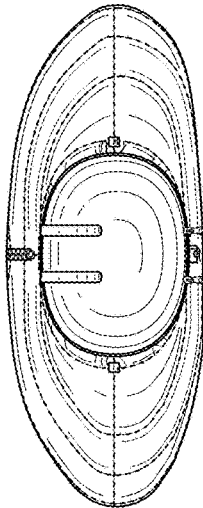


FIG. 8

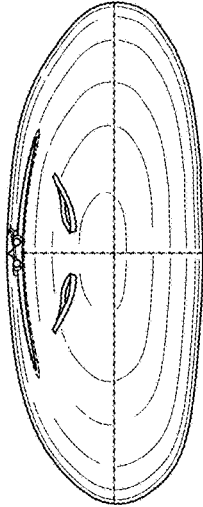


FIG. 7

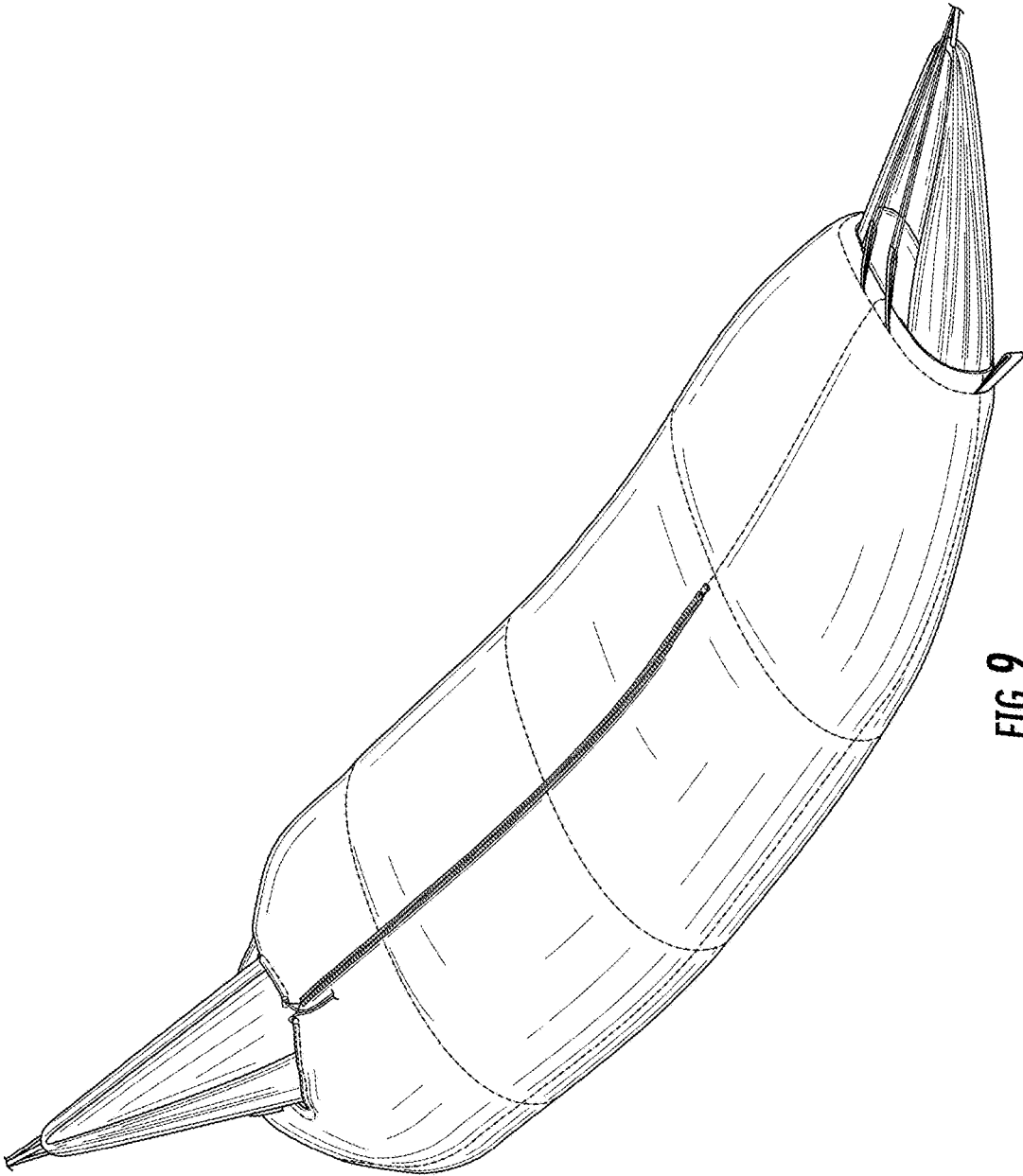


FIG. 9

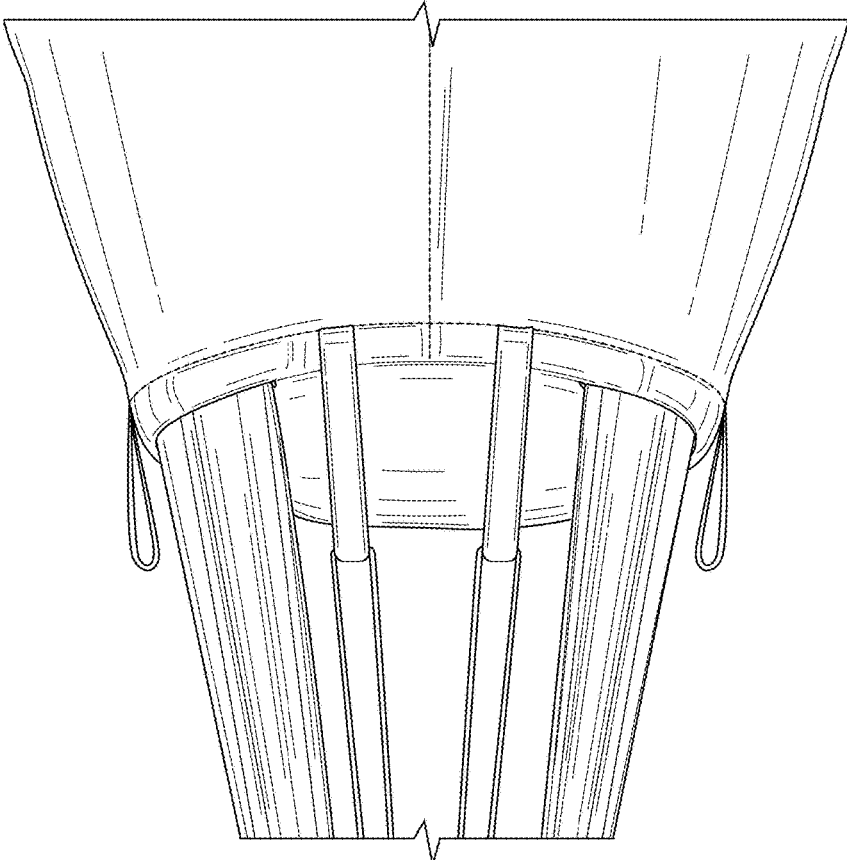


FIG. 10

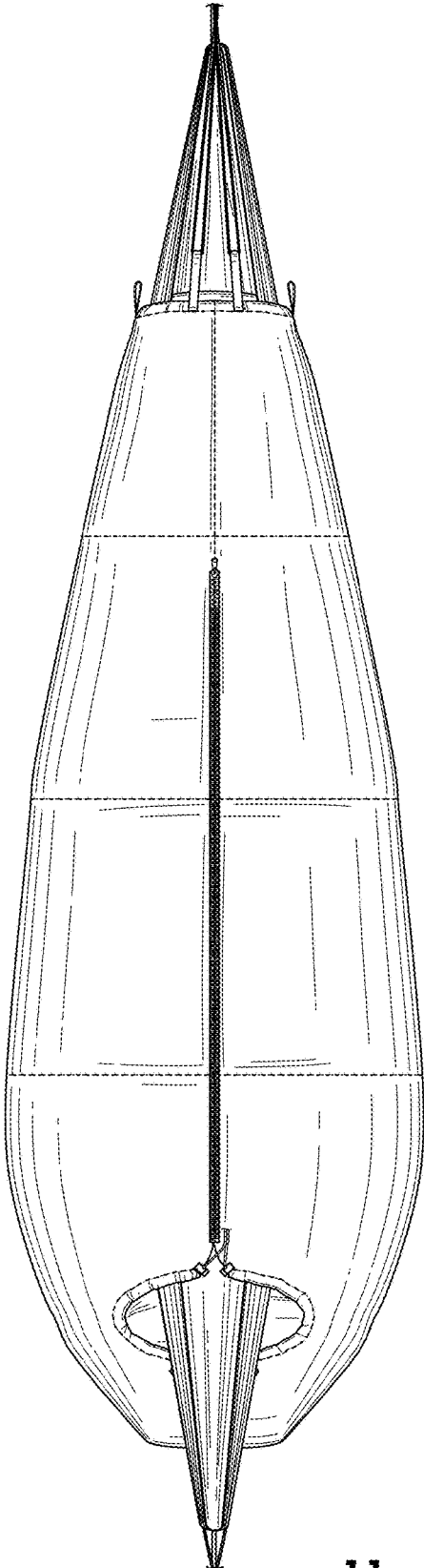


FIG. 11

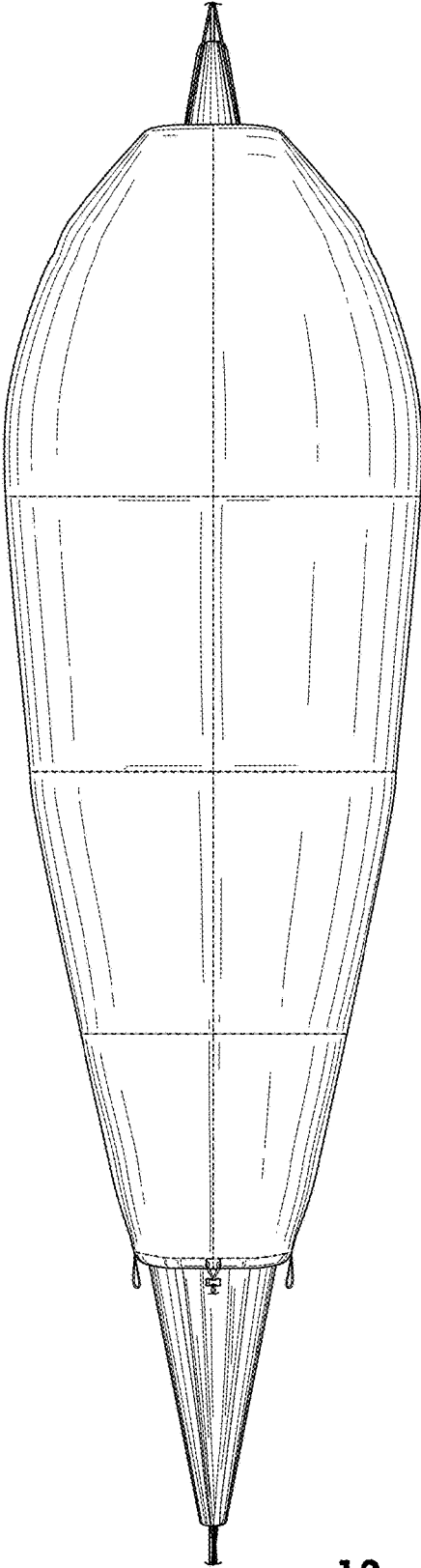


FIG. 12

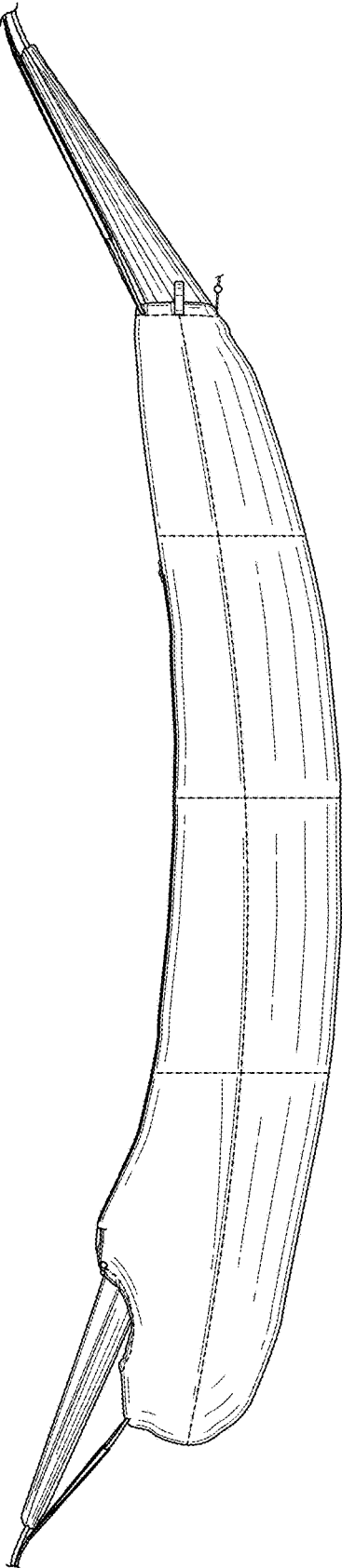


FIG. 13

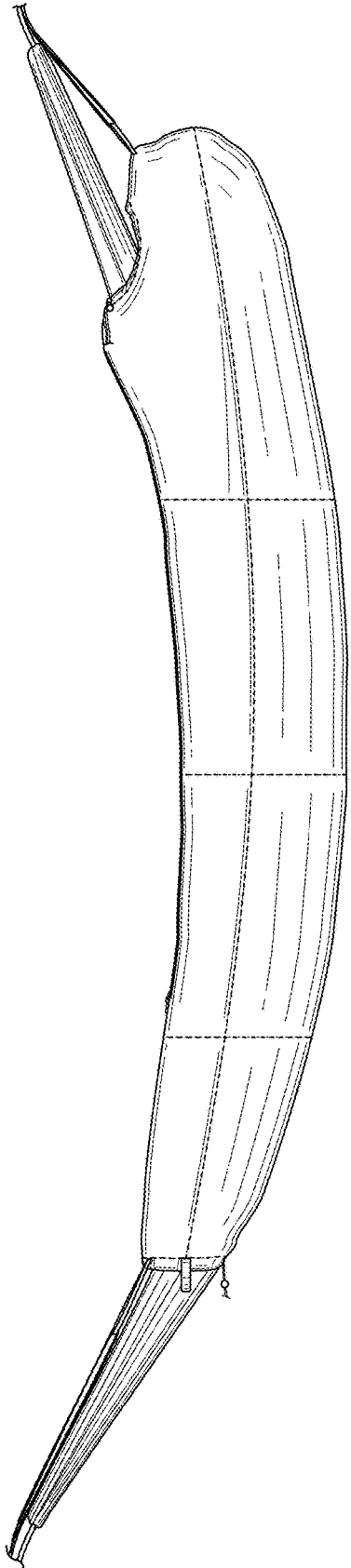


FIG. 14

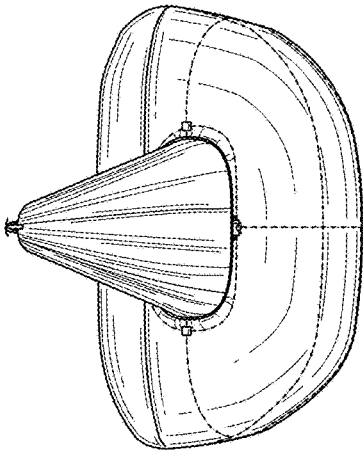


FIG. 15

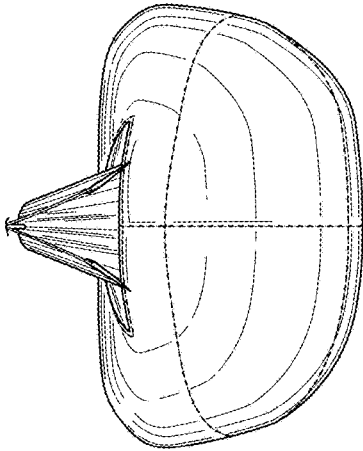


FIG. 16