



US00D672110S

(12) **United States Design Patent**  
**Cooper**

(10) **Patent No.:** **US D672,110 S**

(45) **Date of Patent:** **\*\* \*Dec. 4, 2012**

(54) **TRANSPORT DEVICE**

(76) Inventor: **Dale Cooper**, American Falls, ID (US)

(\* ) Notice: This patent is subject to a terminal disclaimer.

(\*\*) Term: **14 Years**

(21) Appl. No.: **29/410,943**

(22) Filed: **Jan. 13, 2012**

(51) **LOC (9) Cl.** ..... **12-02**

(52) **U.S. Cl.** ..... **D34/16**

(58) **Field of Classification Search** ..... D14/451,  
D14/452, 448, 447, 239, 253; D8/349, 363,  
D8/373, 380; 248/917, 918, 919, 920-924,  
248/122.1, 124.1, 125.8, 371, 393, 425, 176.1,  
248/186.1, 274.1, 280.11, 284.1, 291.1; 361/692.21,  
361/679.22

See application file for complete search history.

(56) **References Cited**

**U.S. PATENT DOCUMENTS**

2,532,015 A \* 11/1950 De Lay ..... 280/47.23  
2,973,884 A \* 3/1961 Peoples ..... 222/625  
3,751,058 A \* 8/1973 Larsen ..... 280/30  
3,774,930 A \* 11/1973 Pravednekow ..... 280/47.24

4,629,203 A \* 12/1986 Ballard ..... 280/47.26  
D544,173 S \* 6/2007 Mullen et al. .... D34/16  
D606,565 S \* 12/2009 Hickenbottom ..... D15/28

\* cited by examiner

*Primary Examiner* — Cynthia Ramirez  
(74) *Attorney, Agent, or Firm* — Jones Waldo Holbrook & McDonough, PC

(57) **CLAIM**

The ornamental design for a transport device, as shown and described.

**DESCRIPTION**

FIG. 1 is a front perspective view of a transport device showing my new design.

FIG. 2 is a side view of the presently claimed design.

FIG. 3 is a side view opposite that shown in FIG. 2.

FIG. 4 is a front view of the presently claimed design.

FIG. 5 is a rear view of the presently claimed design.

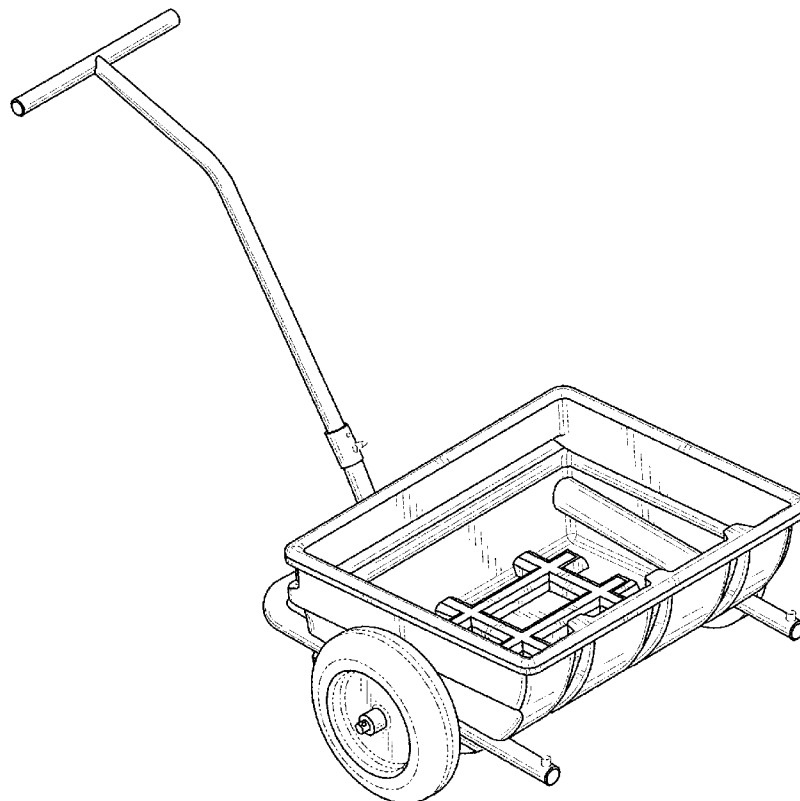
FIG. 6 is a top view of the presently claimed design.

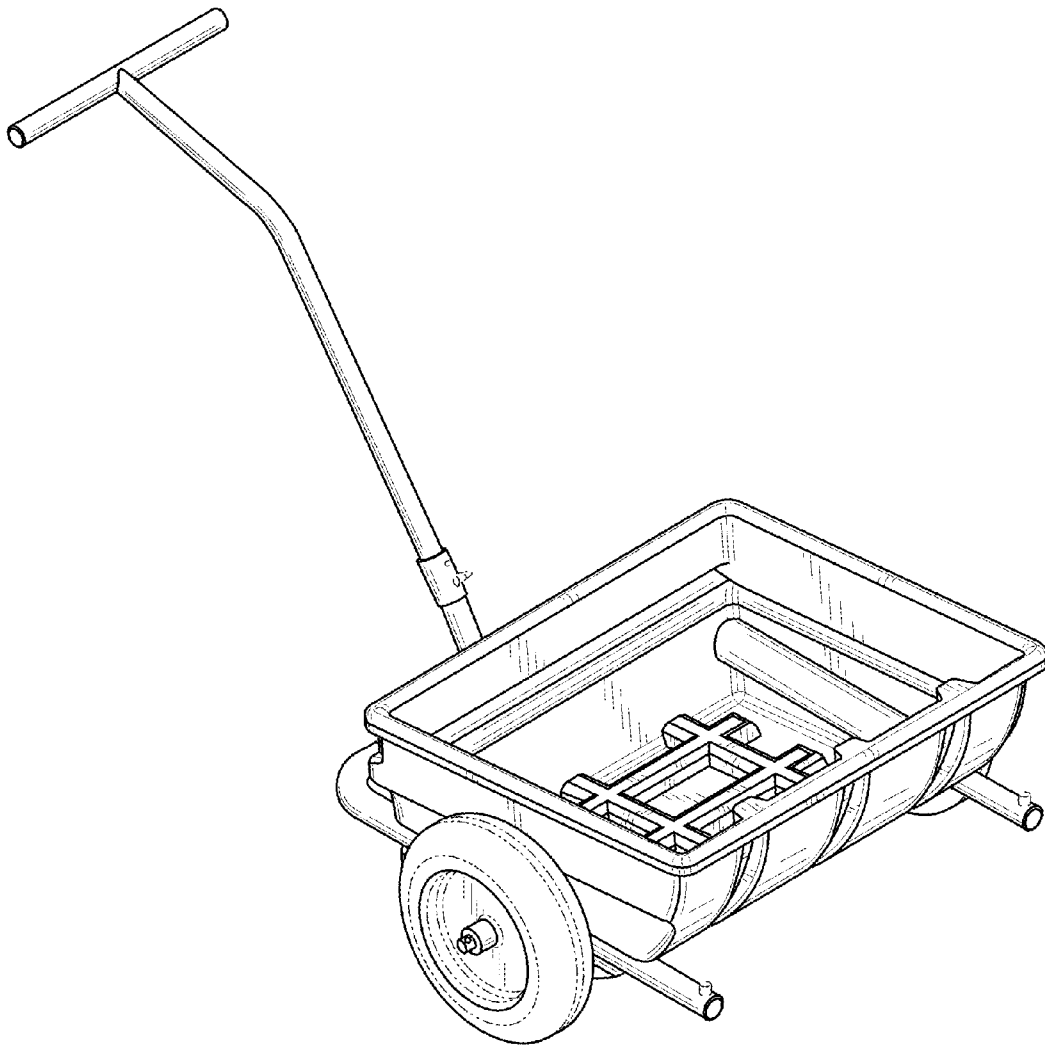
FIG. 7 is a bottom view of the presently claimed design; and,

FIG. 8 is a front perspective view of the presently claimed design showing the removable bucket detached from the frame.

The broken lines shown in the figures are included for the purpose of illustrating elements of the transport device and form no part of the claimed design.

**1 Claim, 6 Drawing Sheets**





**FIG. 1**

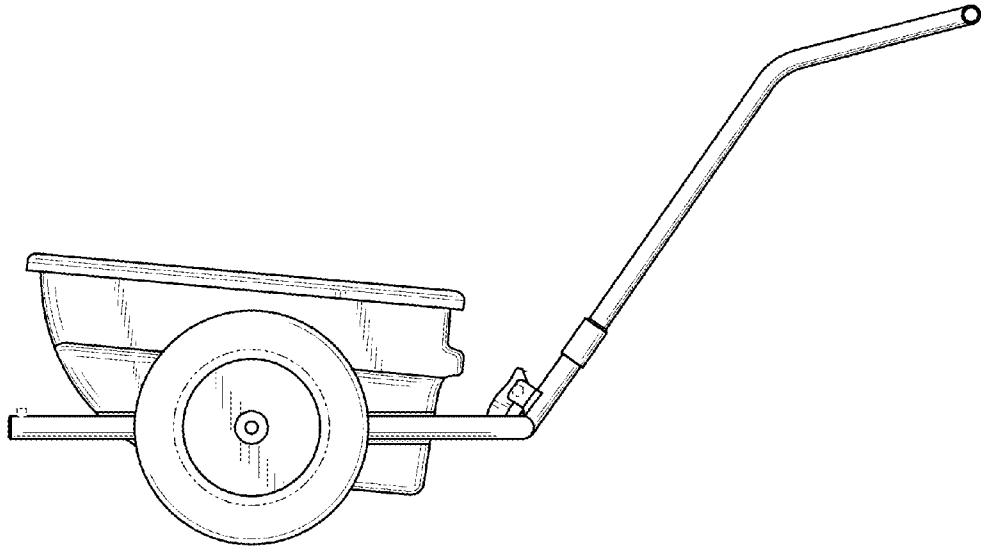


FIG. 2

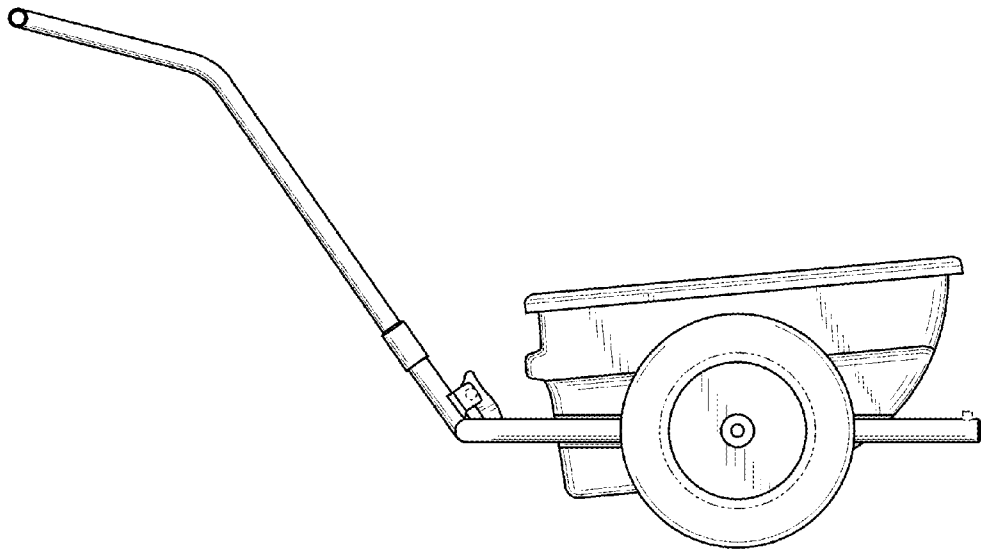


FIG. 3

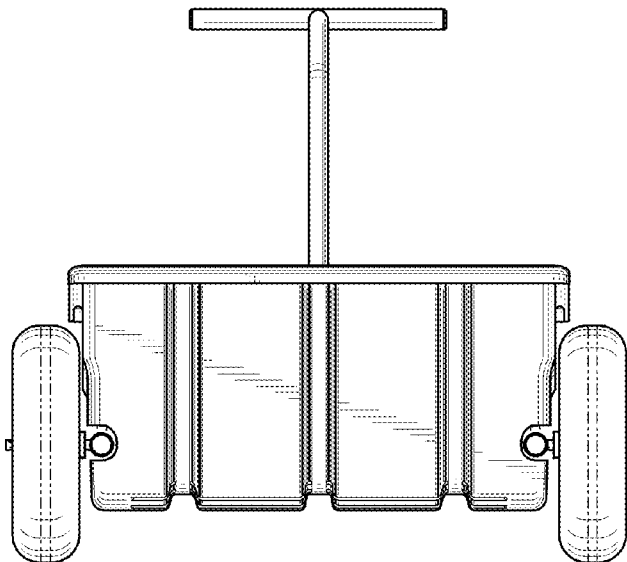


FIG. 4

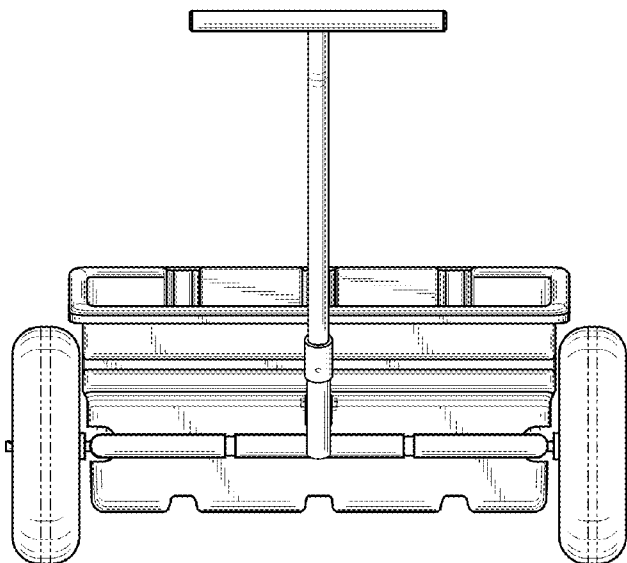


FIG. 5

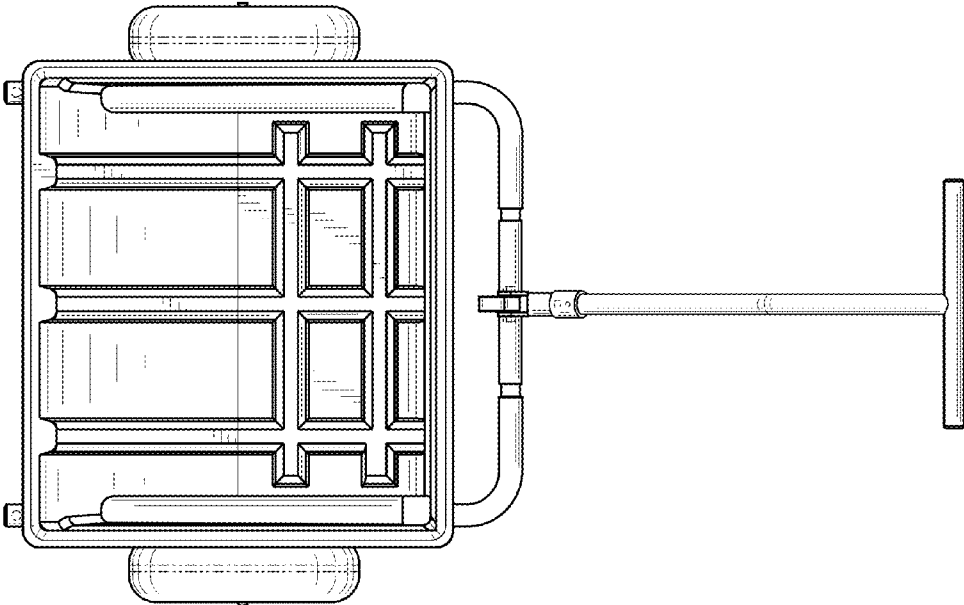


FIG. 6

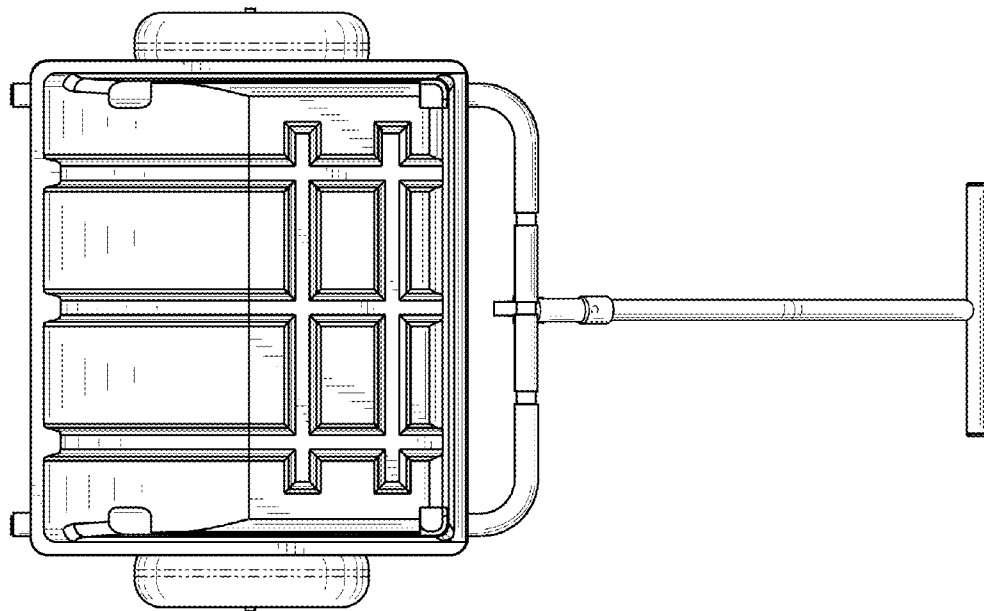


FIG. 7

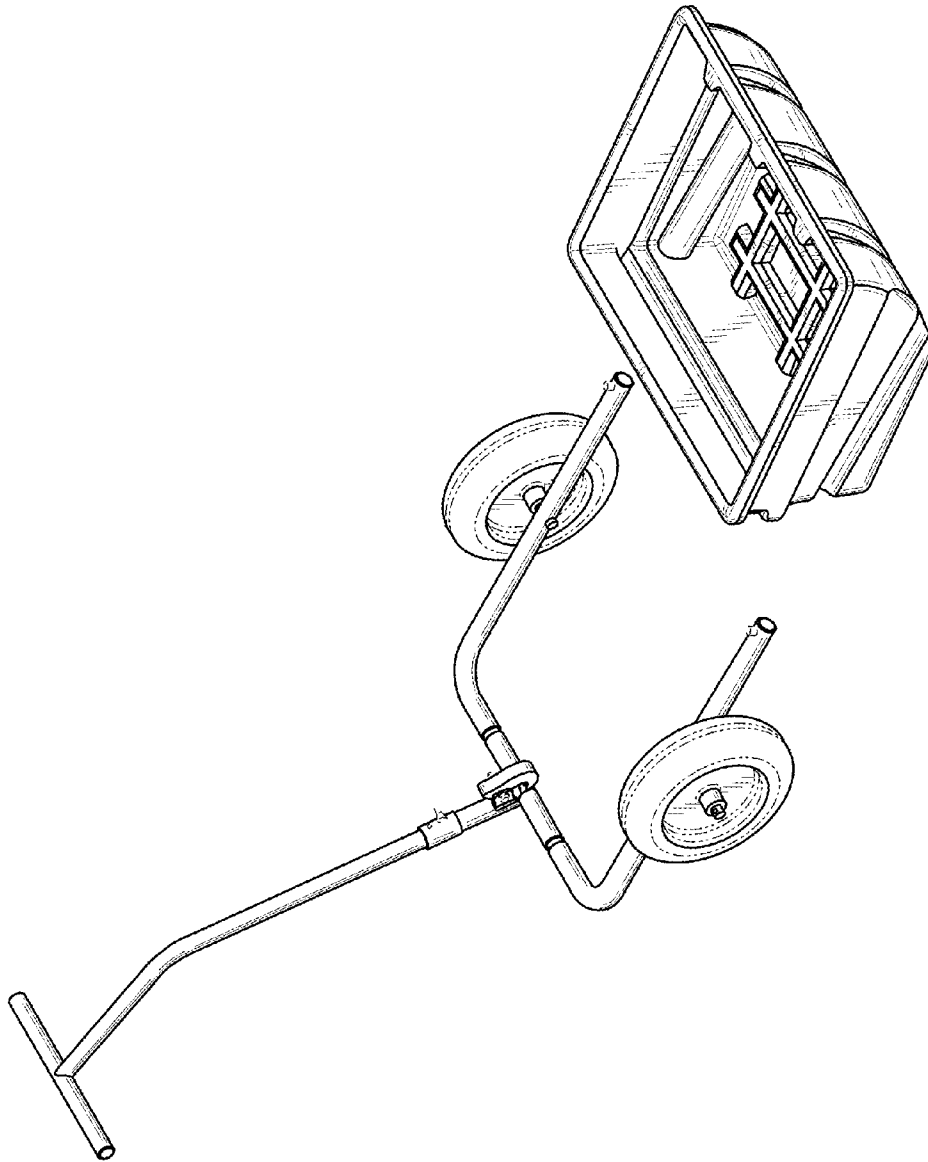


FIG. 8