



US00D624649S

(12) **United States Design Patent**
Seeh et al.

(10) **Patent No.:** **US D624,649 S**

(45) **Date of Patent:** **** Sep. 28, 2010**

(54) **LAPAROSCOPE**

(75) Inventors: **Daniel Seeh**, Immendingen (DE);
Sabine Pauli, Tuttlingen (DE)

(73) Assignee: **Henke-Sass, Wolf GmbH**, Tuttlingen (DE)

(**) Term: **14 Years**

(21) Appl. No.: **29/343,413**

(22) Filed: **Sep. 11, 2009**

(30) **Foreign Application Priority Data**

Mar. 19, 2009 (EM) 001108997

(51) **LOC (9) Cl.** **24-02**

(52) **U.S. Cl.** **D24/137; D24/133**

(58) **Field of Classification Search** D24/133, D24/134, 135, 136, 137, 138, 139, 140, 141, D24/142, 143, 146, 150, 152, 144, 145, 147, D24/148, 149, 151, 153, 154, 127, 128, 129, D24/130, 107-108, 112, 111, 200; D23/233, D23/235; D8/40, 47, 57, 60, 67, 68, 69, D8/80, 82, 83, 84, 93, 94, 97, 107, 72, 73, D8/74, 52, 56; 600/101, 104, 105, 106, 109, 600/112, 131, 135, 160, 162, 431, 564, 568, 600/184, 220-223, 224, 225-227, 201-203, 600/210-218; 606/129, 186, 4, 5, 6, 7, 102, 606/86 A, 86 B, 119, 151, 157, 191-200; 81/9.22; 604/48

See application file for complete search history.

(56) **References Cited**

U.S. PATENT DOCUMENTS

D232,591	S	*	8/1974	Haberman	D24/144
4,375,818	A	*	3/1983	Suwaki et al.	600/463
4,784,133	A	*	11/1988	Mackin	606/7
D389,912	S	*	1/1998	Emerson et al.	D24/133
D402,757	S	*	12/1998	Davis et al.	D24/133
5,857,851	A	*	1/1999	Chavanne	433/88
6,027,497	A	*	2/2000	Daniel et al.	606/15
6,174,307	B1	*	1/2001	Daniel et al.	606/15

6,540,737	B2	*	4/2003	Bacher et al.	606/1
D474,276	S	*	5/2003	Greise et al.	D16/219
D523,455	S	*	6/2006	Greise et al.	D16/202
D535,393	S	*	1/2007	Pilvisto et al.	D24/138
D564,093	S	*	3/2008	Marchand et al.	D24/133
D576,725	S	*	9/2008	Shumer et al.	D24/133
2002/0177847	A1	*	11/2002	Long	606/46
2009/0143640	A1	*	6/2009	Saadat et al.	600/104

FOREIGN PATENT DOCUMENTS

EM 001108997-0001 * 3/2009

OTHER PUBLICATIONS

Prior Art Photographs, Olympus Endoscope, prior to Sep. 11, 2009. Prosecution history for U.S. Appl. No. 29/316,380, filed Sep. 18, 2009, Inventors: Seeh et al. U.S. Appl. No. 29/316,380, filed Sep. 18, 2009, Seeh et al.

* cited by examiner

Primary Examiner—Jeffrey D Asch

Assistant Examiner—Bridget L Eland

(74) *Attorney, Agent, or Firm*—Patterson Theunte Christensen Pedersen, P.A.

(57) **CLAIM**

The ornamental design for a laparoscope, as shown and described.

DESCRIPTION

FIG. 1 is an isometric view of a laparoscope.

FIG. 2 is a top view of a laparoscope.

FIG. 3 is a bottom view of a laparoscope.

FIG. 4 is a right view of a laparoscope.

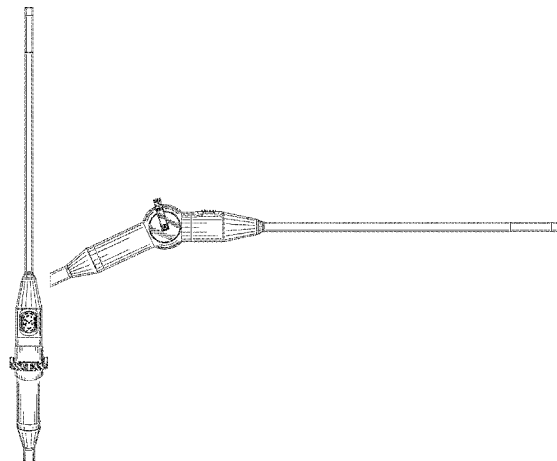
FIG. 5 is a left view of a laparoscope.

FIG. 6 is a front view of a laparoscope; and,

FIG. 7 is a back view of a laparoscope.

The broken lines immediately adjacent the shaded areas represent the bounds of the claimed design; none of the broken lines form any part of the claimed design.

1 Claim, 7 Drawing Sheets



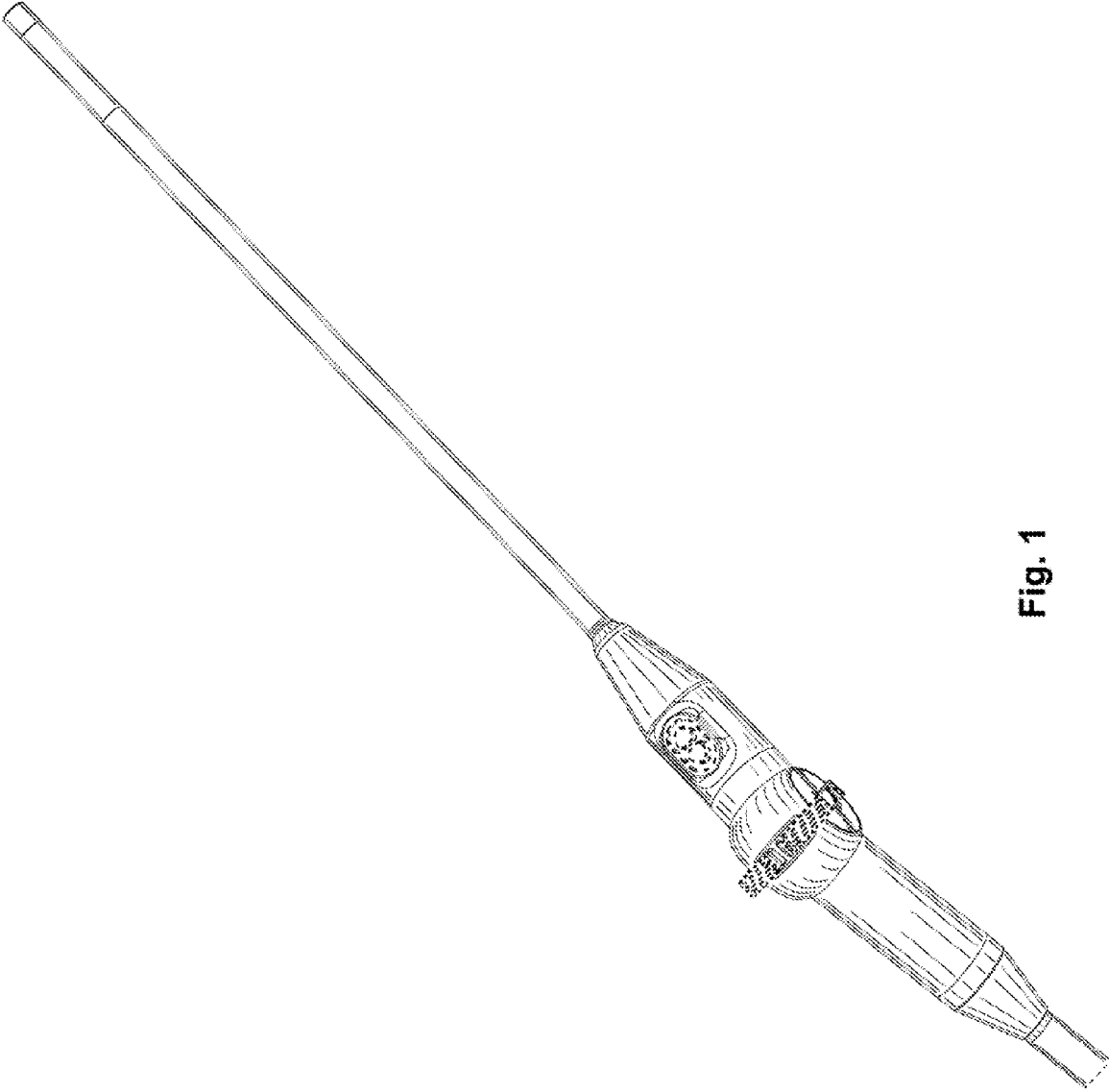


Fig. 1

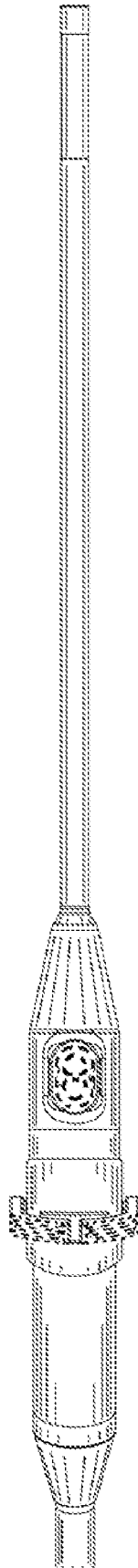


Fig. 2

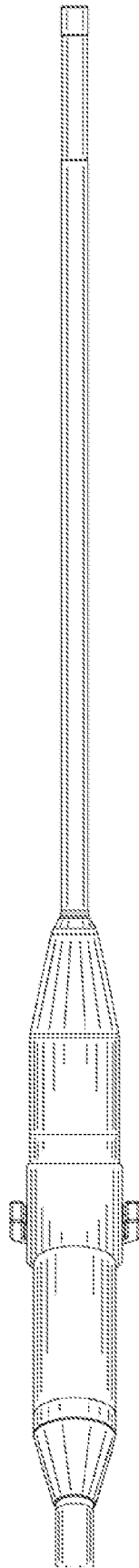


Fig. 3

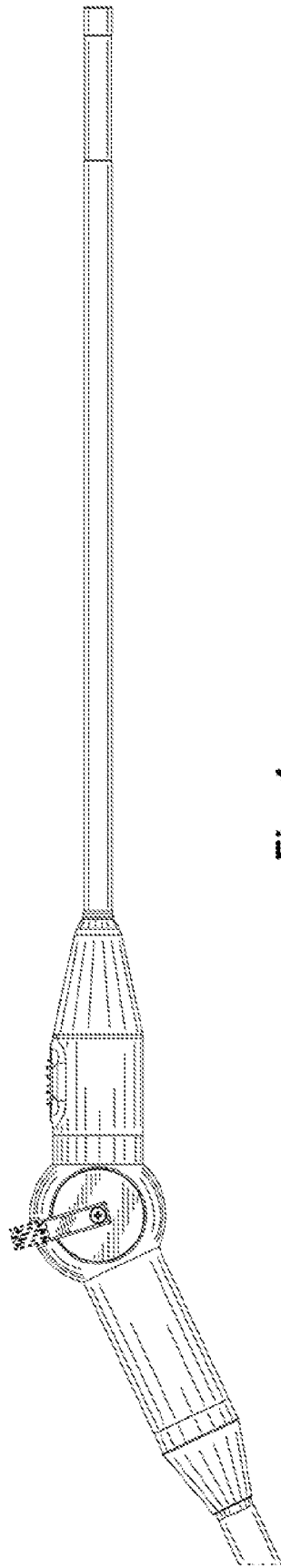


Fig. 4

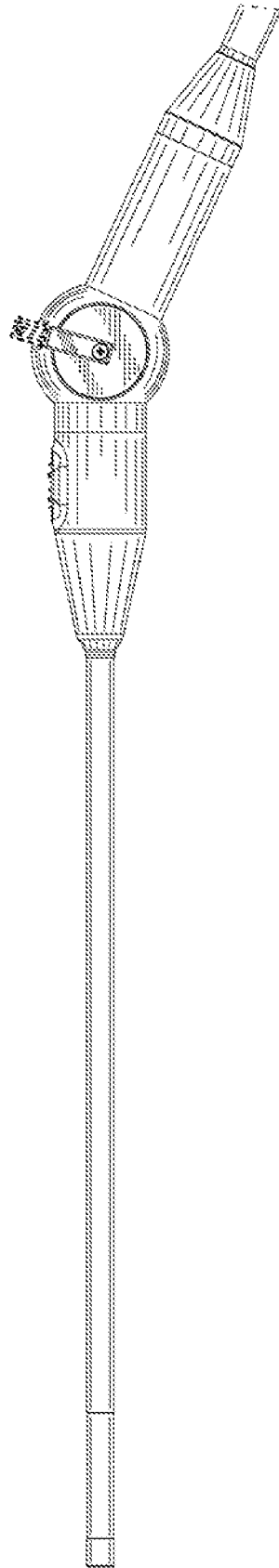


Fig. 5

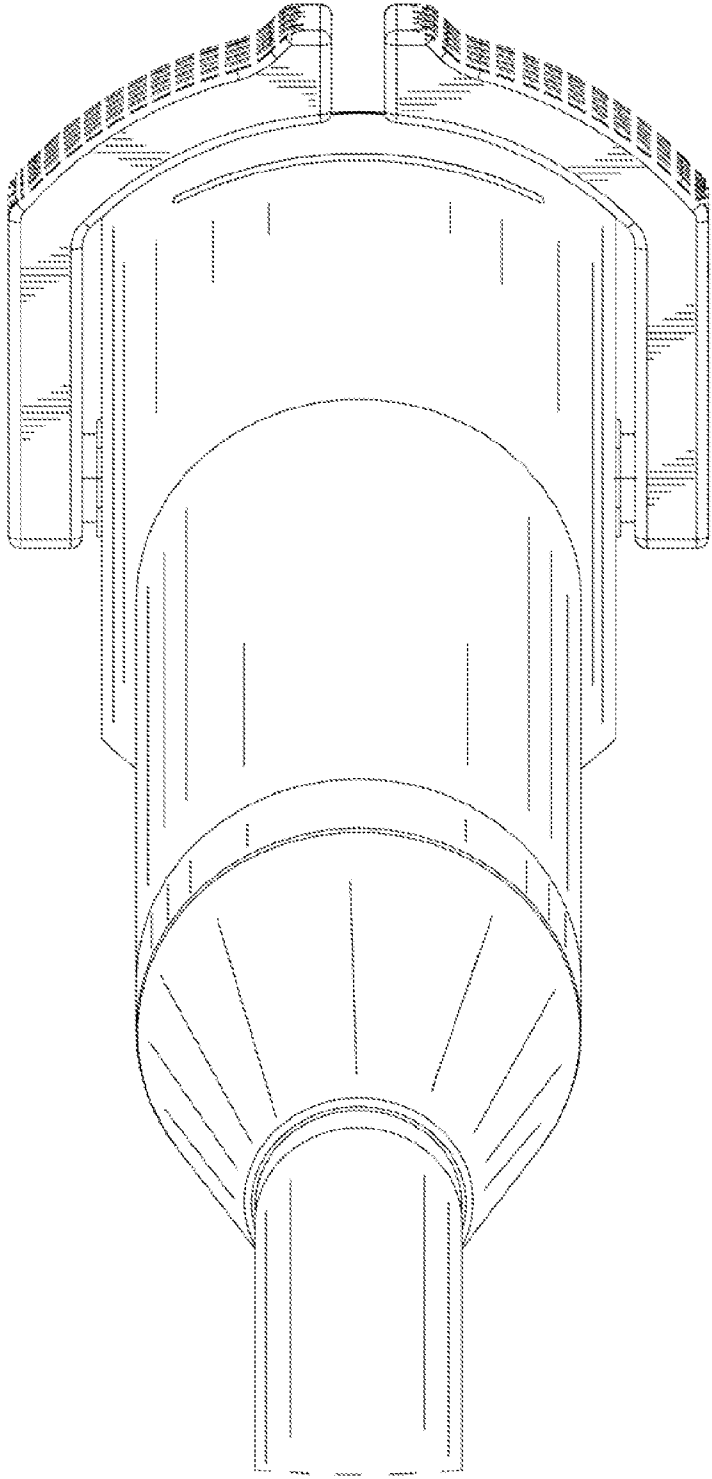


Fig. 6

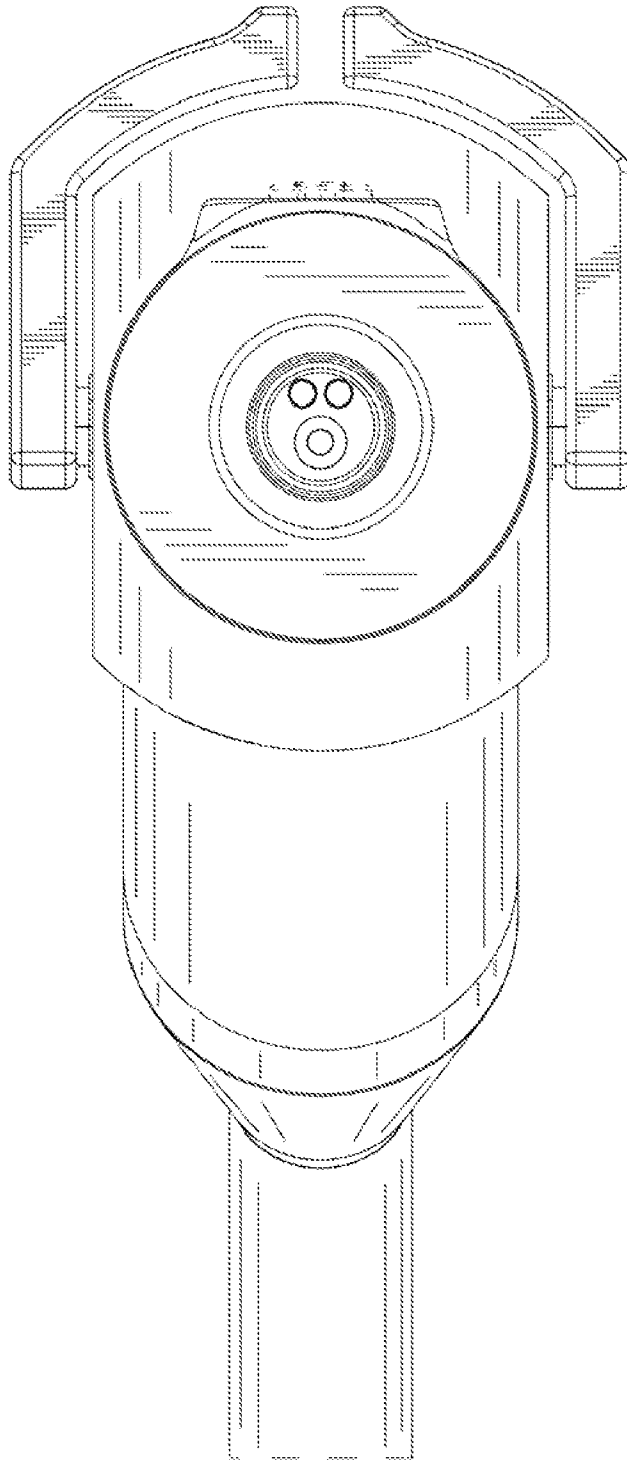


Fig. 7