



US00D375963S

United States Patent [19]

Braun et al.

[11] Patent Number: Des. 375,963

[45] Date of Patent: **Nov. 26, 1996

[54] POWER HEAD FOR A CORDLESS ELECTRIC LAWNMOWER

[75] Inventors: Michael Braun, Wauwatosa; Patrick Bruener, Hartland; Eric Fickas, Germantown; Eileen Scharenbroch, West Bend; Kipp Stevens, Milwaukee, all of Wis.

[73] Assignee: Briggs & Stratton Corporation, Wauwatosa, Wis.

[**] Term: 14 Years

[21] Appl. No.: 41,589

[22] Filed: Jul. 18, 1995

[52] U.S. Cl. D15/17; D8/8

[58] Field of Search D8/8; D15/1, 10, D15/14-17; 56/11.8, 11.9, 13.4, 16.7, 17.4, 17.5, 202, 255, 320.1, 320.2

[56] References Cited

U.S. PATENT DOCUMENTS

D. 177,961	6/1956	Butler	D15/14
D. 260,394	8/1981	Tuggle	D8/8
D. 338,676	8/1993	Tuggle et al.	D15/1
D. 364,787	12/1995	Kidwell et al.	D8/8
3,973,378	8/1976	Bartasevich et al.	56/11.9
4,395,053	7/1983	Kalfas	56/16.7
4,667,460	5/1987	Kramer	56/17.5
4,882,896	11/1989	Wilcox	56/10.5
4,942,723	7/1990	Wassell	56/10.6
5,085,043	2/1992	Hess et al.	56/10.5
5,274,988	1/1994	Bruce	56/17.4
5,402,626	4/1995	Zinck	56/11.9

OTHER PUBLICATIONS

AL-KO Accu Tec 32, Advertising flyer, published by AL-KO Britain Ltd., Aug., 1993.

"Owner's Operating Manual Cordless Mulching Mower Model BMM2400", published by Ryobi Outdoor Products, Inc. of Chandler, Arizona, Jan., 1993.

"Electric mower that really works", *Popular Science* magazine, Mar., 1974, pp. 28 etc.

"Wolf-Gerate, Instruction Manual, Senator accu 35", published Nov., 1991.

Photograph, Wolf-Gerate Cub Electric Lawnmower, first sold at least as early as 1994.

Photograph, Tecumseh Products power head for a cordless electric lawnmower, publicly shown Jul., 1995.

Photograph, Wolf-Gerate cordless electric lawnmower, Jul., 1995.

Gardeners Supply Co. Summer 1993 p. 37 Rechargeable Batter Mower, right.

Primary Examiner—Sandra L. Morris

Attorney, Agent, or Firm—Michael, Best & Friedrich

[57]

CLAIM

The ornamental design for a "power head for a cordless electric lawnmower", as shown and described.

DESCRIPTION

FIG. 1 is a front perspective view of a power head for a cordless electric lawnmower, showing our new design;

FIG. 2 is a right side elevational view thereof;

FIG. 3 is a top plan view thereof;

FIG. 4 is a front elevational view thereof;

FIG. 5 is a rear elevational view thereof; and,

FIG. 6 is a bottom plan view thereof.

1 Claim, 3 Drawing Sheets

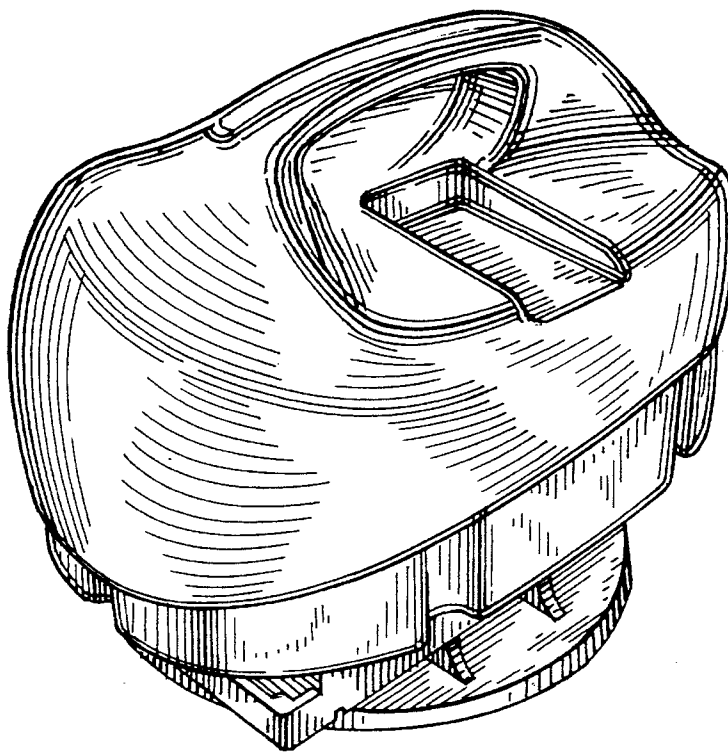


FIG. 1

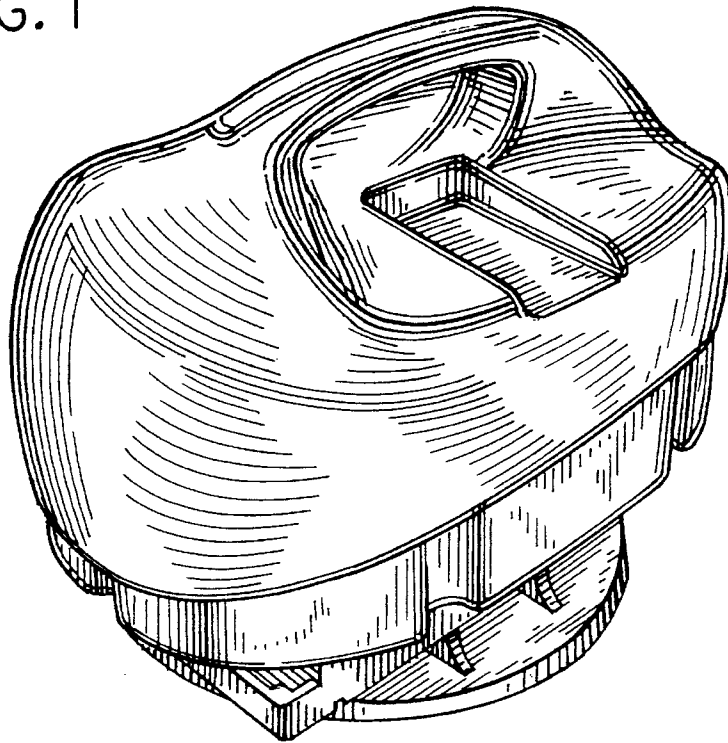


FIG. 2

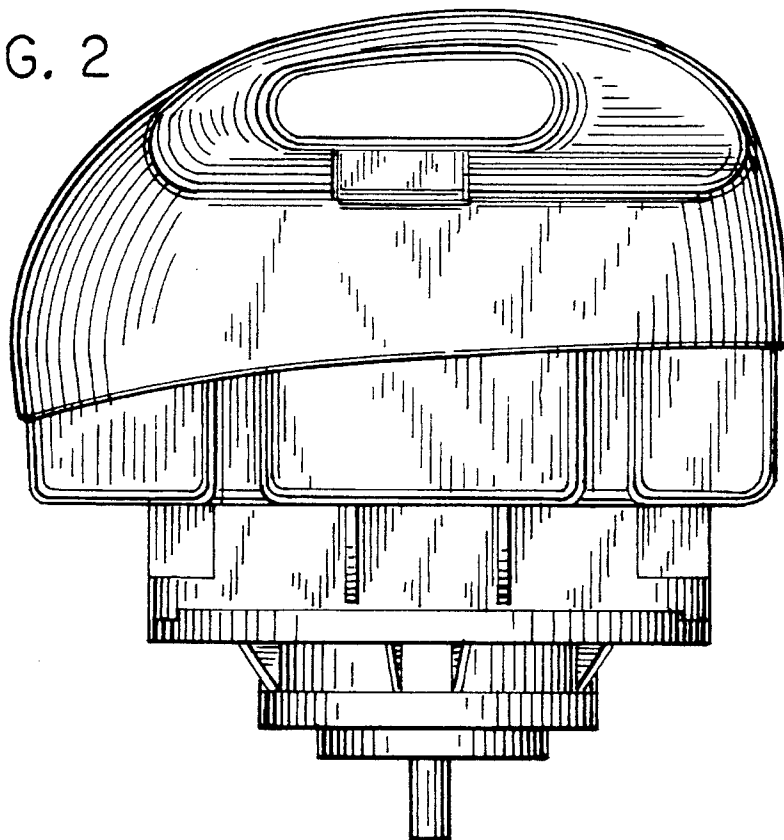


FIG. 3

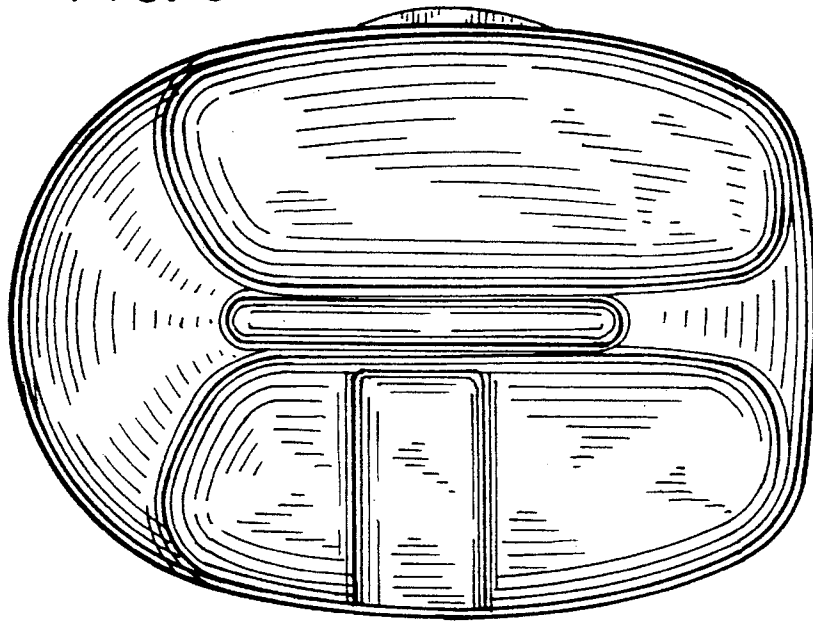


FIG. 4

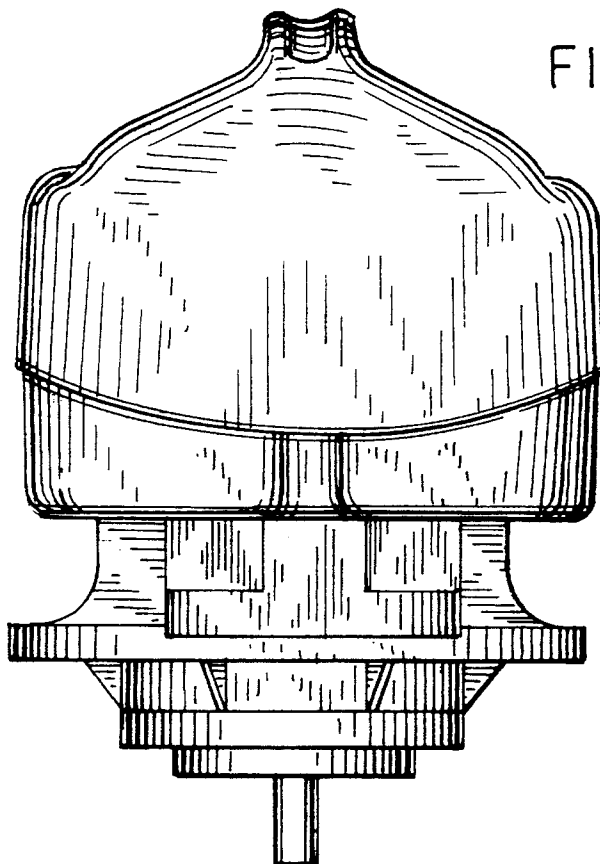


FIG. 5

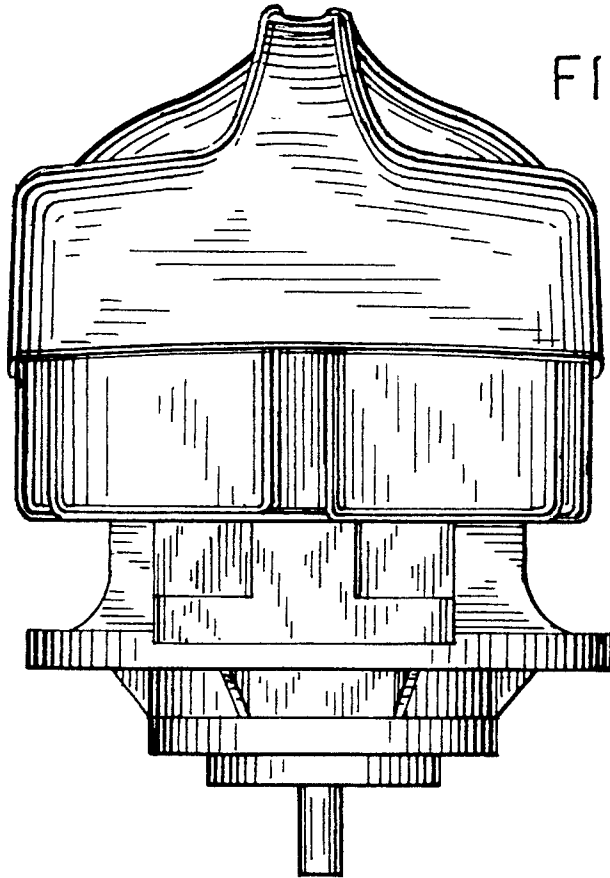


FIG. 6

