

(12) **United States Design Patent** (10) **Patent No.:** **US D908,209 S**  
**Ronayne et al.** (45) **Date of Patent:** **\*\* Jan. 19, 2021**

(54) **NASAL CANNULA**  
 (71) Applicant: **Fisher & Paykel Healthcare Limited**,  
 Auckland (NZ)  
 (72) Inventors: **Michael Paul Ronayne**, Auckland  
 (NZ); **Leon Tyler Stanley**, Auckland  
 (NZ); **Daniel Charles Wilson**,  
 Auckland (NZ); **Robert Andrew David**  
**Milne**, Auckland (NZ); **Chelsea Erin**  
**Johnson**, Auckland (NZ); **Graeme**  
**Lachlan Vincent**, Auckland (NZ)  
 (73) Assignee: **Fisher & Paykel Healthcare Limited**,  
 Auckland (NZ)

D677,382 S \* 3/2013 Foley ..... D24/114  
 D695,394 S \* 12/2013 Takemoto ..... D24/113  
 D695,395 S \* 12/2013 Tani ..... D24/113  
 D717,942 S \* 11/2014 Neff ..... D24/127  
 D724,720 S \* 3/2015 O'Connor ..... D24/112  
 D732,411 S \* 6/2015 Waaler ..... D10/81  
 D747,461 S \* 1/2016 Tam ..... D24/110.1  
 D748,781 S \* 2/2016 Zhang ..... D24/133  
 D756,817 S \* 5/2016 Fries ..... D10/78  
 D757,250 S \* 5/2016 Veliss ..... D24/110.4  
 D760,379 S \* 6/2016 Smith ..... D24/110.4  
 D770,034 S \* 10/2016 McNall, III ..... D24/108  
 D771,244 S \* 11/2016 Takemoto ..... D24/113

\* cited by examiner

*Primary Examiner* — David G Muller  
 (74) *Attorney, Agent, or Firm* — Knobbe, Martens, Olson  
 & Bear, LLP

(\*\*) Term: **15 Years**  
 (21) Appl. No.: **29/655,354**  
 (22) Filed: **Jul. 2, 2018**

**Related U.S. Application Data**

(62) Division of application No. 29/559,013, filed on Mar.  
 23, 2016, now Pat. No. Des. 825,053.  
 (51) **LOC (13) Cl.** ..... **24-02**  
 (52) **U.S. Cl.**  
 USPC ..... **D24/112**  
 (58) **Field of Classification Search**  
 USPC ..... D24/110, 110.1–110.6, 112–114, 108,  
 D24/130, 127, 133, 186; 128/206.11,  
 128/207.11, 207.13, 207.18, 205.25,  
 128/207.1, 200.24, 204.11  
 CPC ..... A61M 16/0683; A61M 16/0672; A61M  
 16/0816  
 See application file for complete search history.

(56) **References Cited**  
 U.S. PATENT DOCUMENTS

D650,070 S \* 12/2011 Mori ..... D24/113  
 D652,137 S \* 1/2012 Nino ..... D24/133

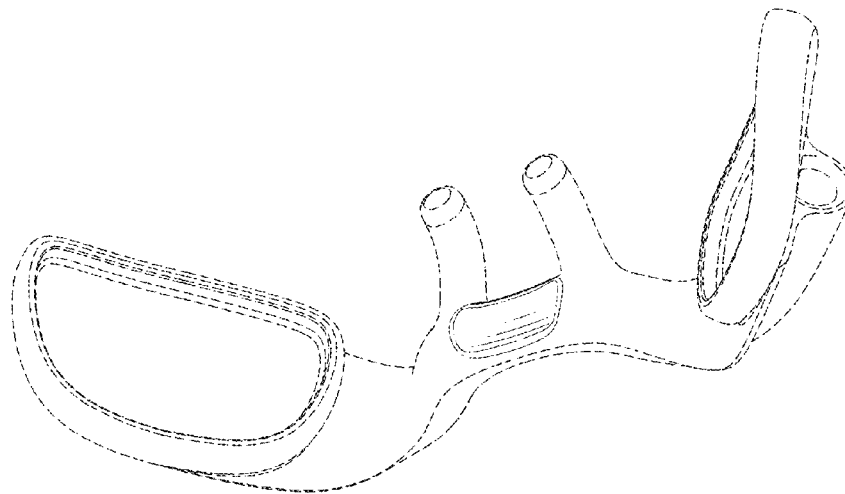
(57) **CLAIM**

The ornamental design for a nasal cannula, as shown and  
 described.

**DESCRIPTION**

FIG. 1 is a top and front perspective view of a nasal cannula  
 embodying our new design;  
 FIG. 2 is a rear perspective view thereof;  
 FIG. 3 is a front view thereof;  
 FIG. 4 is a rear view thereof;  
 FIG. 5 is a top view thereof;  
 FIG. 6 is a bottom view thereof;  
 FIG. 7 is a first side view thereof; and,  
 FIG. 8 is a second side view thereof.  
 Broken lines are used to illustrate features of the nasal  
 cannula which form no part of the claimed design. Dash-dot  
 lines are used to illustrate features of the nasal cannula  
 which form no part of the claimed design.

**1 Claim, 4 Drawing Sheets**



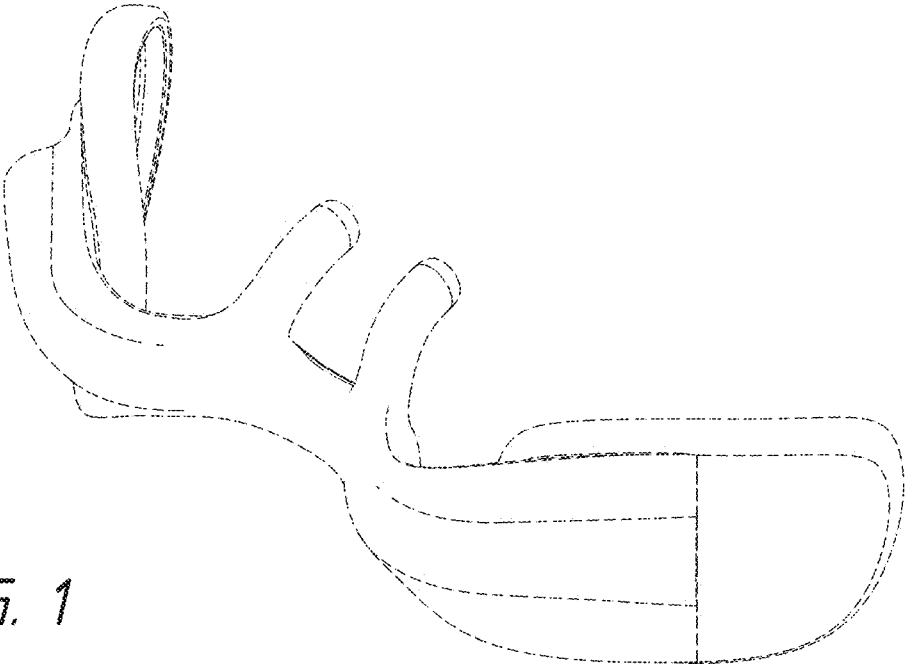


FIG. 1

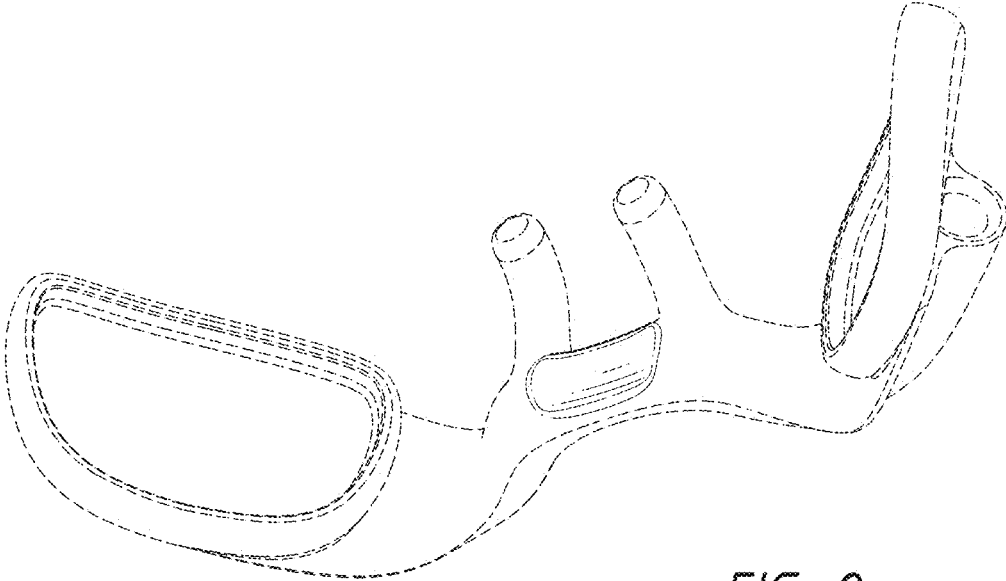


FIG. 2

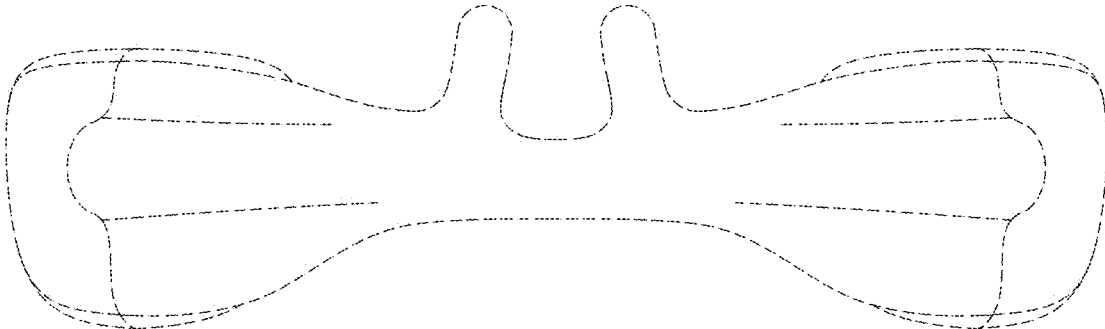


FIG. 3

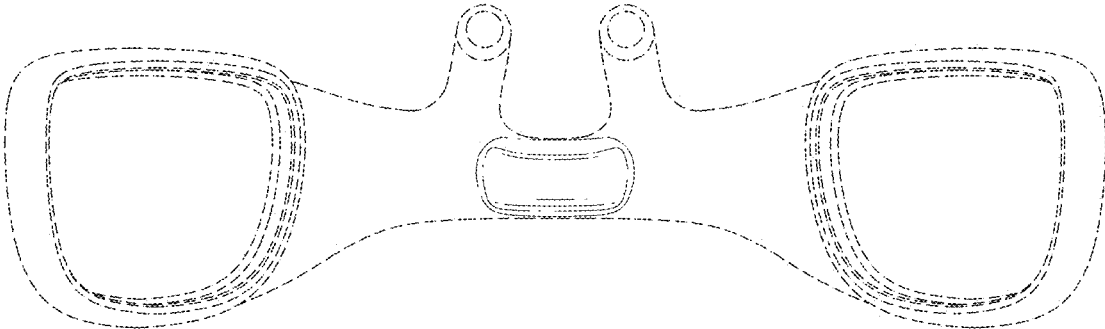


FIG. 4

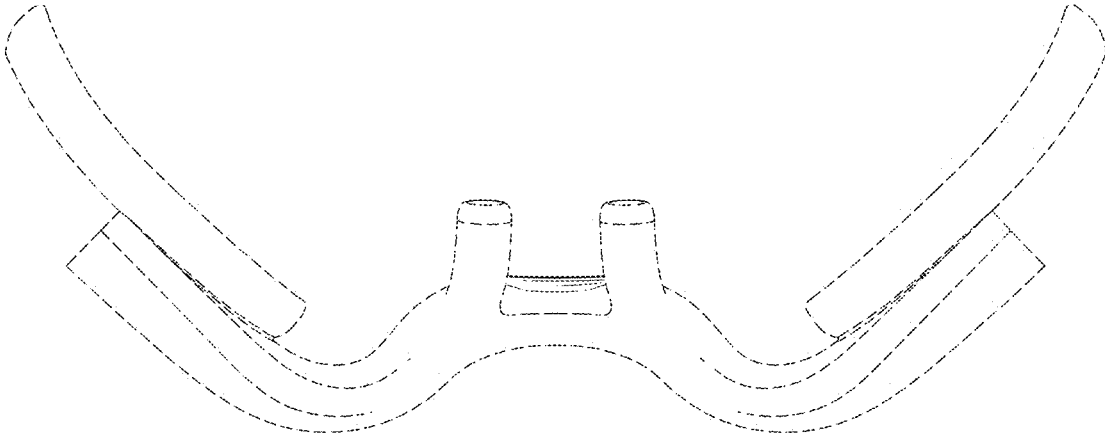


FIG. 5

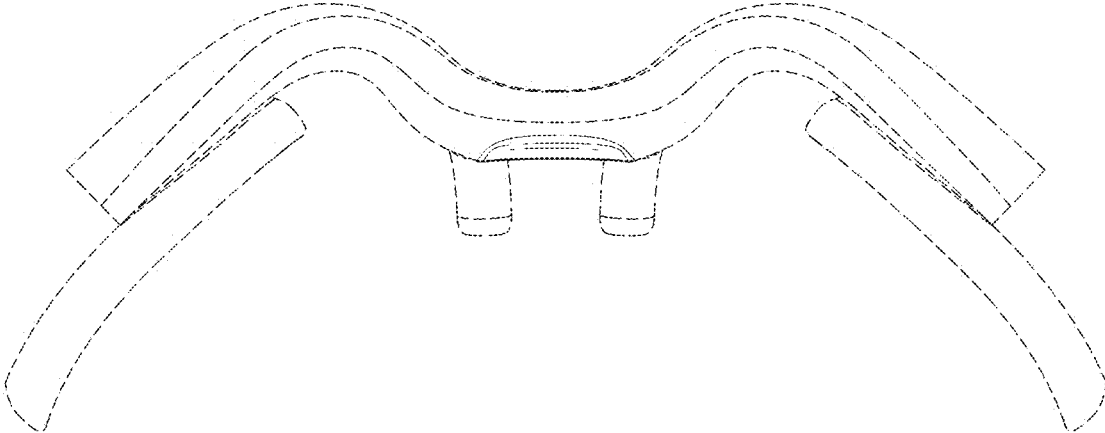


FIG. 6

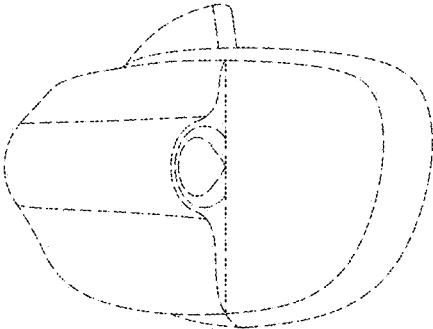


FIG. 7

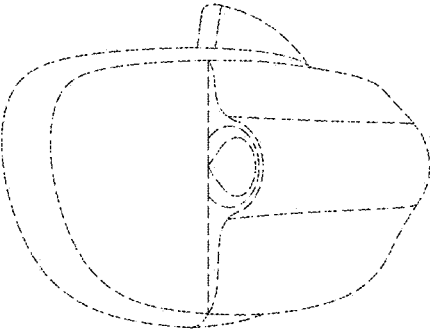


FIG. 8