



- (51) International Patent Classification:
F04C 2/344 (2006.01) *F01C 21/00* (2006.01)
- (21) International Application Number:
PCT/US2011/025655
- (22) International Filing Date:
22 February 2011 (22.02.2011)
- (25) Filing Language: English
- (26) Publication Language: English
- (30) Priority Data:
12/840,565 21 July 2010 (21.07.2010) US
- (71) Applicant (for all designated States except US):
HAMILTON SUNDSTRAND CORPORATION
[US/US]; One Hamilton Road, Windsor Locks, Connecticut 06096-1010 (US).
- (72) Inventors; and
- (75) Inventors/Applicants (for US only): **BELL, Melissa A.** [US/US]; 3075 Admiral Avenue, San Diego, California 92123 (US). **ROLLINS, Michael J.** [US/US]; 822 Avenida Madera, Chula Vista, California 91910 (US).

(74) Agent: **OLDS, Theodore W.**; Carlson, Gaskey & Olds, 400 W. Maple Road, Suite 350, Birmingham, Michigan 48009 (US).

(81) Designated States (unless otherwise indicated, for every kind of national protection available): AE, AG, AL, AM, AO, AT, AU, AZ, BA, BB, BG, BH, BR, BW, BY, BZ, CA, CH, CL, CN, CO, CR, CU, CZ, DE, DK, DM, DO, DZ, EC, EE, EG, ES, FI, GB, GD, GE, GH, GM, GT, HN, HR, HU, ID, IL, IN, IS, JP, KE, KG, KM, KN, KP, KR, KZ, LA, LC, LK, LR, LS, LT, LU, LY, MA, MD, ME, MG, MK, MN, MW, MX, MY, MZ, NA, NG, NI, NO, NZ, OM, PE, PG, PH, PL, PT, RO, RS, RU, SC, SD, SE, SG, SK, SL, SM, ST, SV, SY, TH, TJ, TM, TN, TR, TT, TZ, UA, UG, US, UZ, VC, VN, ZA, ZM, ZW.

(84) Designated States (unless otherwise indicated, for every kind of regional protection available): ARIPO (BW, GH, GM, KE, LR, LS, MW, MZ, NA, SD, SL, SZ, TZ, UG, ZM, ZW), Eurasian (AM, AZ, BY, KG, KZ, MD, RU, TJ, TM), European (AL, AT, BE, BG, CH, CY, CZ, DE, DK, EE, ES, FI, FR, GB, GR, HR, HU, IE, IS, IT, LT, LU, LV, MC, MK, MT, NL, NO, PL, PT, RO, RS, SE, SI, SK, SM,

[Continued on next page]

(54) Title: LUBE PUMP RETENTION METHOD

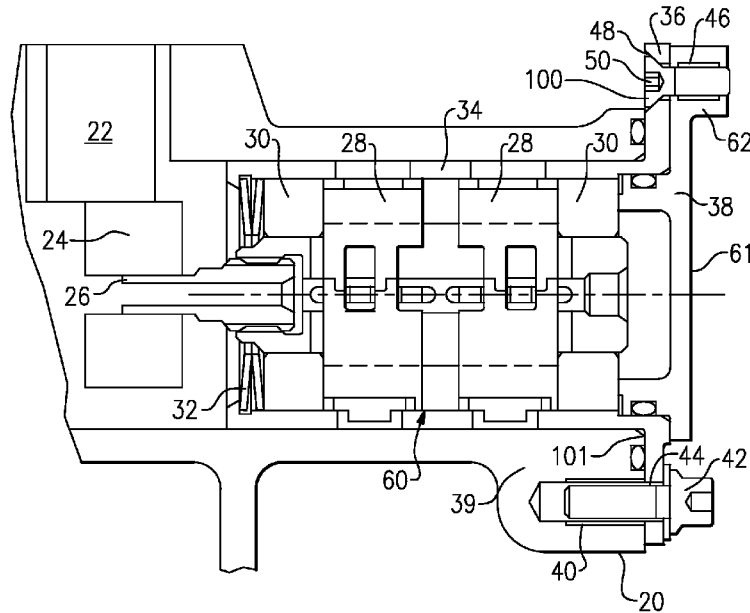
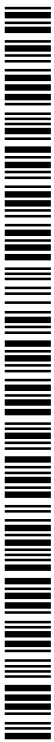


FIG.1

[Continued on next page]





TR), OAPI (BF, BJ, CF, CG, CI, CM, GA, GN, GQ, GW, ML, MR, NE, SN, TD, TG).

— before the expiration of the time limit for amending the claims and to be republished in the event of receipt of amendments (Rule 48.2(h))

Published:

— with international search report (Art. 21(3))

(88) Date of publication of the international search report:

25 April 2013

(57) Abstract: A lube pump has a housing with a flange extending radially outwardly from a body of the housing. At least one rotor is received within the housing, and a shaft for powering the rotor extends away from the flange. A retention plate is positioned on an end of the flange closing the housing. A first set of bolts secure the flange to the retention plate. A second set of bolts secure the flange to the gearbox. The two sets of bolts extend in opposed directions. A gearbox including such a lube pump is also disclosed and claimed.

INTERNATIONAL SEARCH REPORT

International application No
PCT/US2011/025655

A. CLASSIFICATION OF SUBJECT MATTER
INV. F04C2/344 F01C21/00
ADD.
According to International Patent Classification (IPC) or to both national classification and IPC

B. FIELDS SEARCHED
Minimum documentation searched (classification system followed by classification symbols)
F01C F04C F16H

Documentation searched other than minimum documentation to the extent that such documents are included in the fields searched

Electronic data base consulted during the international search (name of data base and, where practicable, search terms used)
EPO-Internal, WPI Data

C. DOCUMENTS CONSIDERED TO BE RELEVANT

Category*	Citation of document, with indication, where appropriate, of the relevant passages	Relevant to claim No.
A	US 2 851 896 A (ORDWAY JAMES F) 16 September 1958 (1958-09-16) column 1, line 41 - column 2, line 32; figures 1-4	1,10
A	DE 27 49 479 A1 (VALMET OY) 8 March 1979 (1979-03-08) the whole document	1,10

Further documents are listed in the continuation of Box C.

See patent family annex.

* Special categories of cited documents :

- "A" document defining the general state of the art which is not considered to be of particular relevance
- "E" earlier application or patent but published on or after the international filing date
- "L" document which may throw doubts on priority claim(s) or which is cited to establish the publication date of another citation or other special reason (as specified)
- "O" document referring to an oral disclosure, use, exhibition or other means
- "P" document published prior to the international filing date but later than the priority date claimed

- "T" later document published after the international filing date or priority date and not in conflict with the application but cited to understand the principle or theory underlying the invention
- "X" document of particular relevance; the claimed invention cannot be considered novel or cannot be considered to involve an inventive step when the document is taken alone
- "Y" document of particular relevance; the claimed invention cannot be considered to involve an inventive step when the document is combined with one or more other such documents, such combination being obvious to a person skilled in the art
- "&" document member of the same patent family

Date of the actual completion of the international search

7 February 2013

Date of mailing of the international search report

25/02/2013

Name and mailing address of the ISA/
European Patent Office, P.B. 5818 Patentlaan 2
NL - 2280 HV Rijswijk
Tel. (+31-70) 340-2040,
Fax: (+31-70) 340-3016

Authorized officer
Papastefanou, M

INTERNATIONAL SEARCH REPORT

Information on patent family members

International application No

PCT/US2011/025655

Patent document cited in search report	Publication date	Patent family member(s)	Publication date
US 2851896	A	16-09-1958	NONE

DE 2749479	A1	08-03-1979	DE 2749479 A1 08-03-1979
		FI 772529 A	26-02-1979
