



US00D915078S

(12) **United States Design Patent** (10) **Patent No.:** **US D915,078 S**
Tang (45) **Date of Patent:** **** Apr. 6, 2021**

(54) **BRUSH**
(71) Applicant: **Shenzhen Jinyuan Huitong Trading Co., Ltd., Guangdong (CN)**
(72) Inventor: **Li Tang, Guangdong (CN)**
(73) Assignee: **Shenzhen Jinyuan Huitong Trading Co., Ltd., Guangdong (CN)**

D620,714 S * 8/2010 Bona-Kustra D4/130
D699,903 S * 2/2014 Singer D30/159
D746,062 S * 12/2015 Pan D4/127
D756,121 S * 5/2016 Gruber D4/104
D766,452 S * 9/2016 Ho D24/200
D768,305 S * 10/2016 Ho D24/200
D834,333 S 11/2018 Krus
D874,834 S 2/2020 Zhang
D893,170 S * 8/2020 Lee D3/218
D897,688 S * 10/2020 Li D4/128

(**) Term: **15 Years**

FOREIGN PATENT DOCUMENTS

(21) Appl. No.: **29/747,939**

CN 3540493 * 7/2006
CN 305084200 * 3/2019
KR 3020080000318 * 3/2008

(22) Filed: **Aug. 26, 2020**

(51) **LOC (13) Cl.** **04-02**

(52) **U.S. Cl.**

USPC **D4/136**

(58) **Field of Classification Search**

USPC D4/100, 102, 114, 115, 116, 117, 118,
D4/119, 120, 121, 122, 123, 124, 125,
D4/126, 127, 128, 129, 130, 131, 132,
D4/133, 134, 135, 136, 137, 138, 199;
D24/200, 214, 215; D28/7, 20, 28, 29,
D28/58, 63, 99; D30/158, 159, 169

CPC A47K 7/00; A47K 7/02; A46B 2200/1006;
A46B 2200/102; A61H 7/003

See application file for complete search history.

OTHER PUBLICATIONS

Wellgler's Hair Scalp Massager . . . [on-line], [Original publication date unknown.] [Retrieved from the Internet Feb. 13, 2021.] See printed copy for full URL. (Year: 2021).*

* cited by examiner

Primary Examiner — Karen E Eldridge Powers
(74) *Attorney, Agent, or Firm* — ScienBiziP, P.C.

(57) **CLAIM**

The ornamental design for a brush, as shown and described.

(56) **References Cited**

U.S. PATENT DOCUMENTS

1,722,706 A * 7/1929 Richardson A61H 7/003
601/154
3,055,040 A * 9/1962 Schermerhorn A61H 7/003
401/42
3,368,554 A * 2/1968 Shao Hwa A61H 7/003
601/137
D333,730 S * 3/1993 Martin D30/158
D356,685 S * 3/1995 Bertwell D4/125
6,793,434 B1 * 9/2004 Olson A46B 5/04
15/144.1
D512,582 S * 12/2005 Scholze D7/392.1

DESCRIPTION

FIG. 1 is a top perspective view of a brush, showing my design.

FIG. 2 is a bottom perspective view thereof.

FIG. 3 is a front elevation view thereof.

FIG. 4 is a rear elevation view thereof.

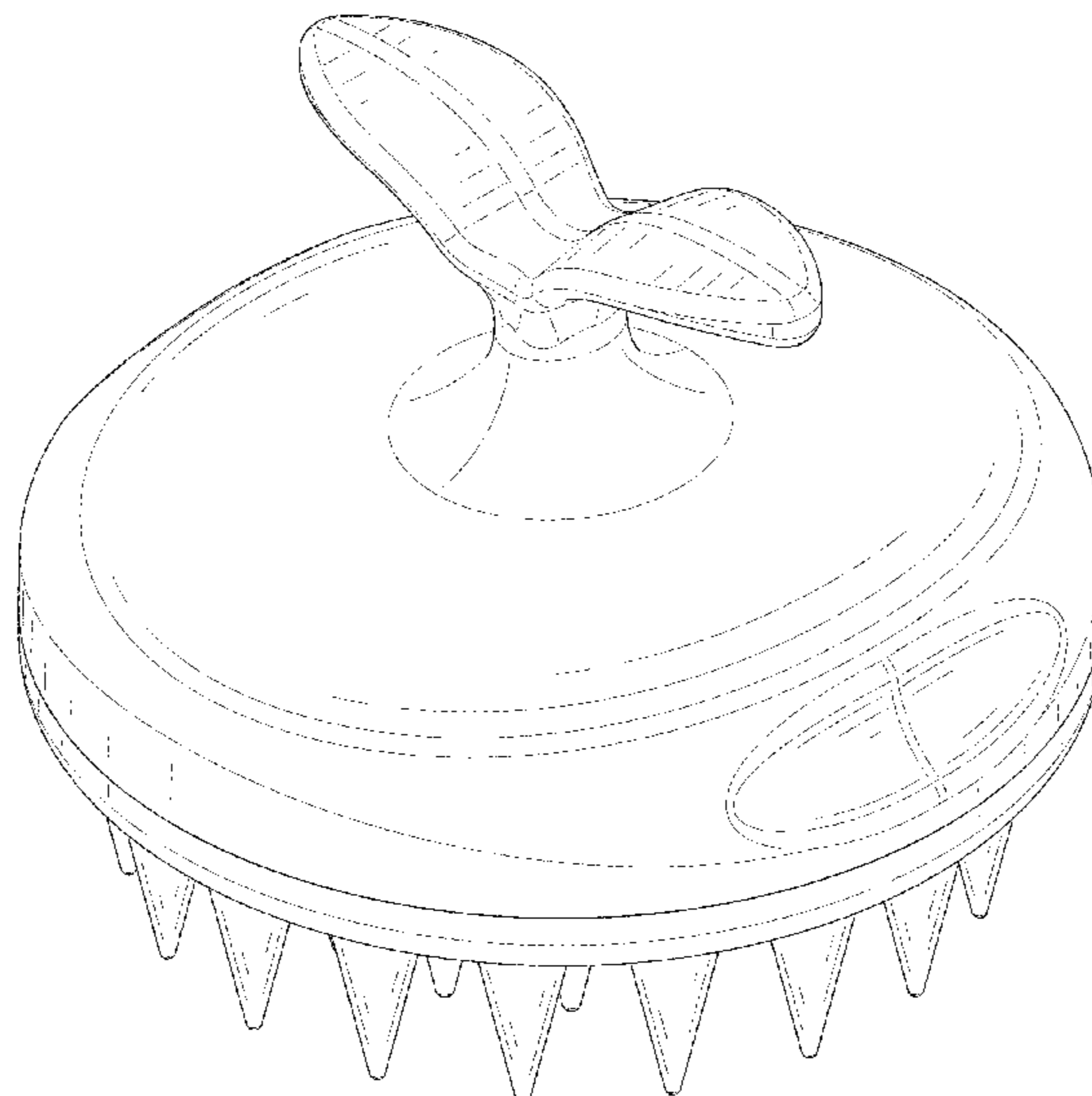
FIG. 5 is a left side elevation view thereof.

FIG. 6 is a right side elevation view thereof.

FIG. 7 is a top plan view thereof; and,

FIG. 8 is a bottom plan view thereof.

1 Claim, 8 Drawing Sheets



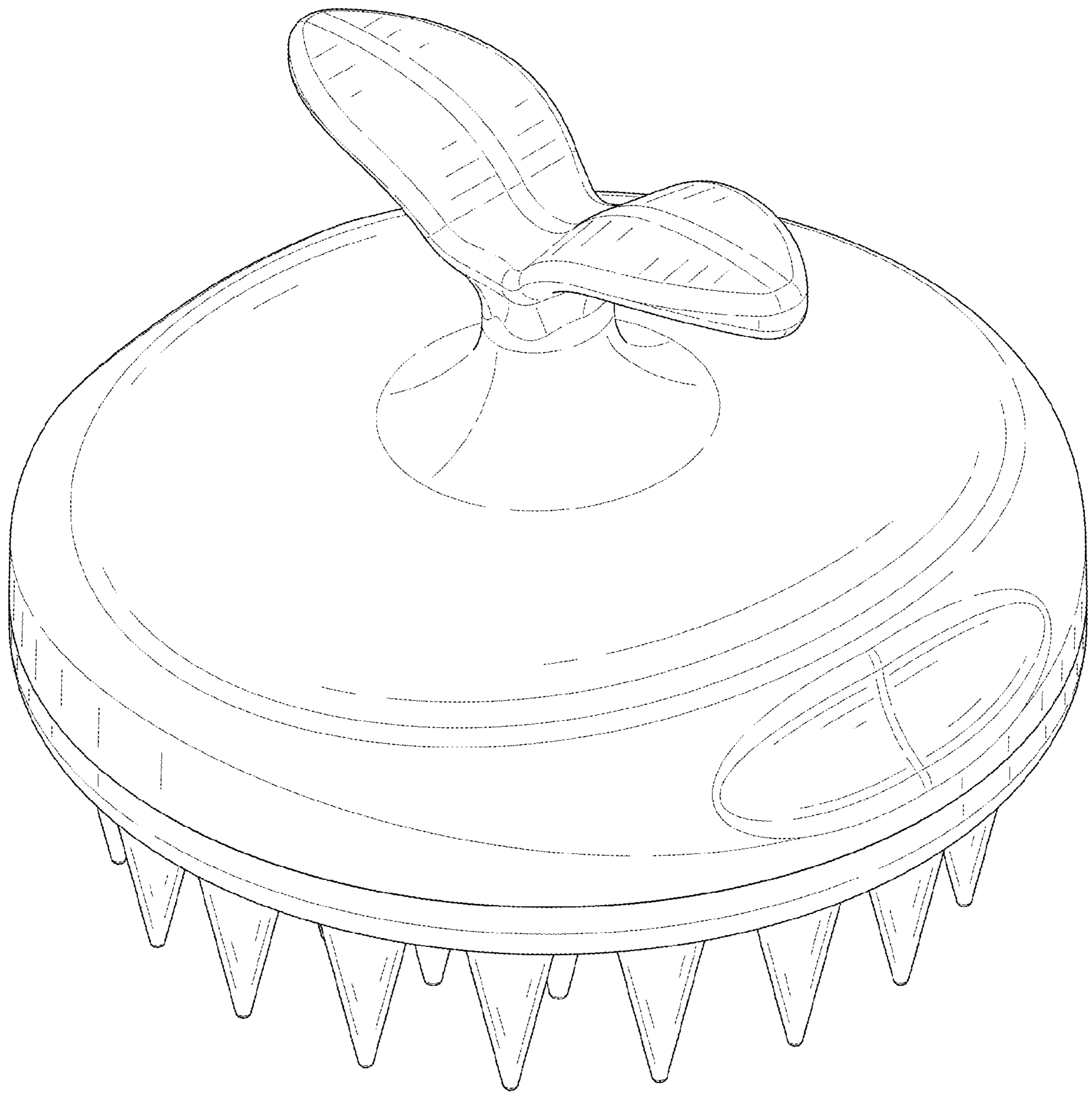


FIG. 1

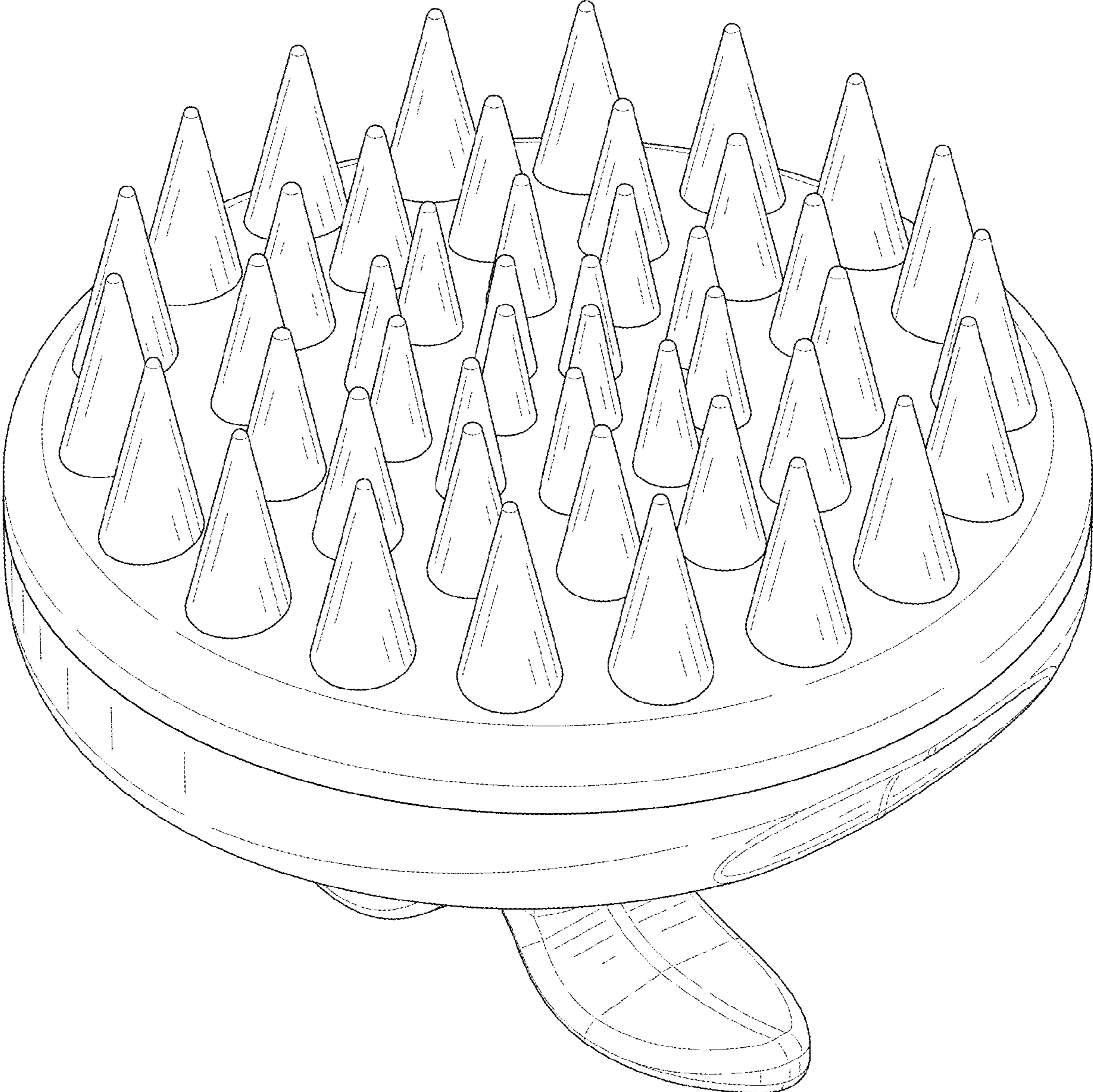


FIG. 2

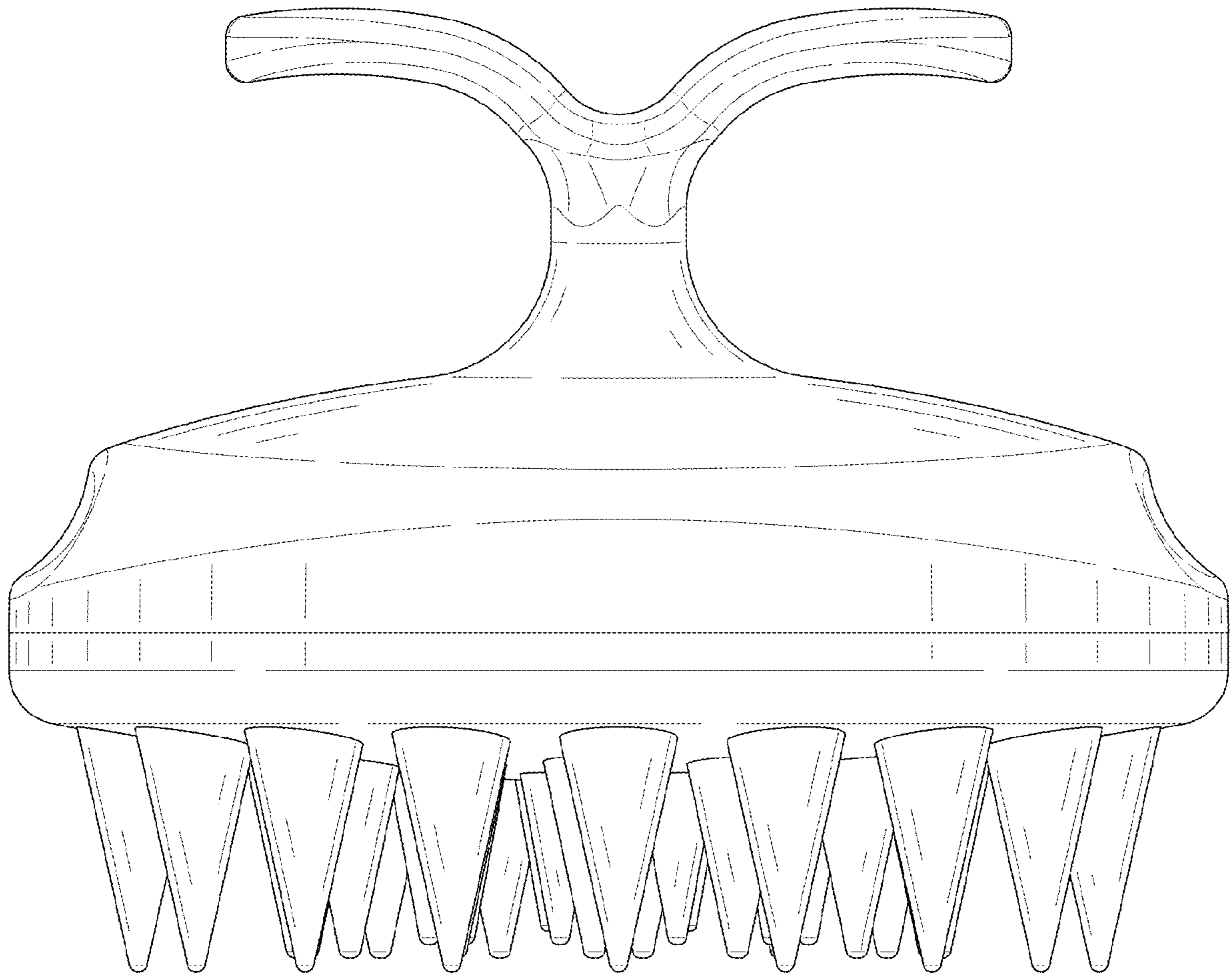


FIG. 3

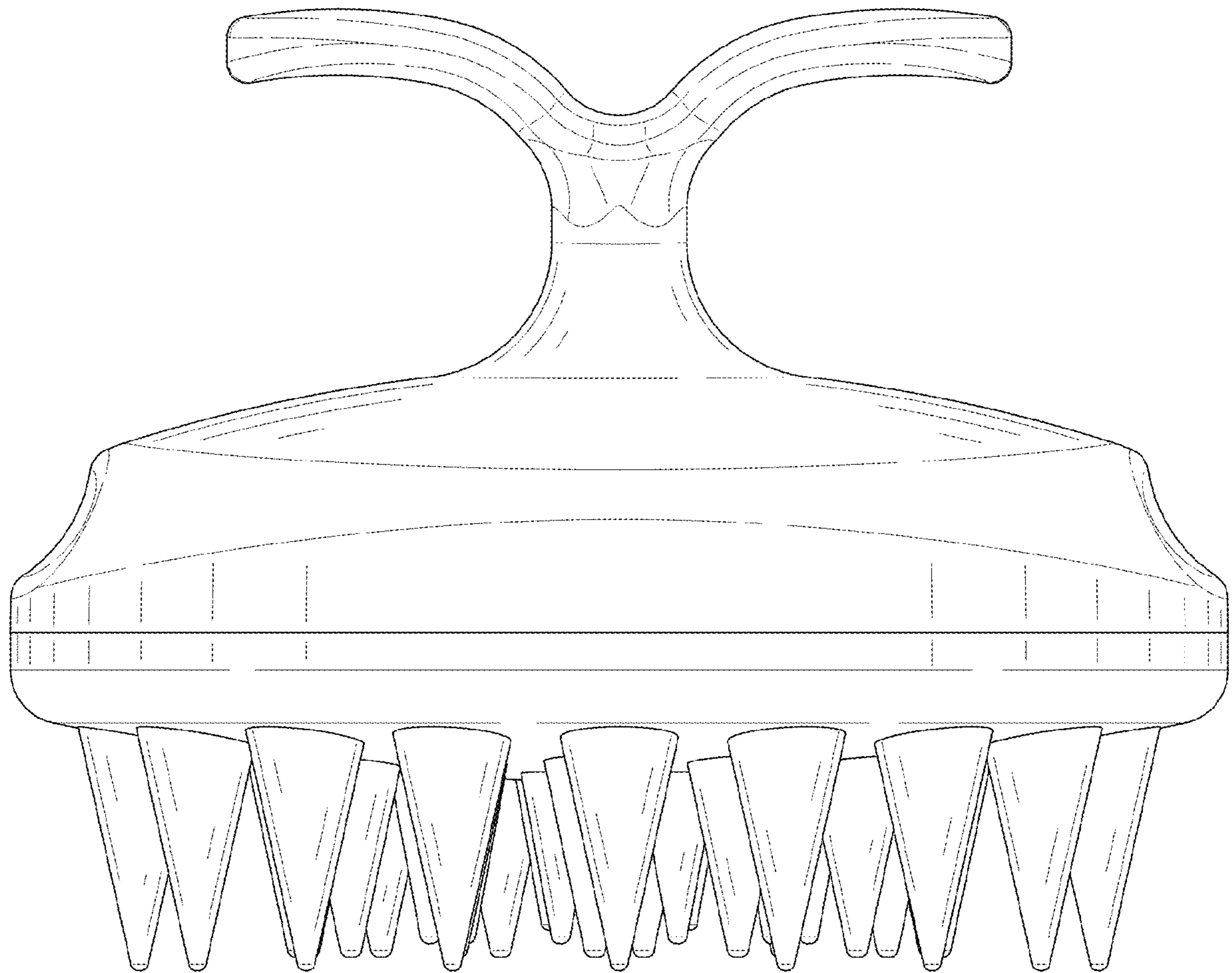


FIG. 4

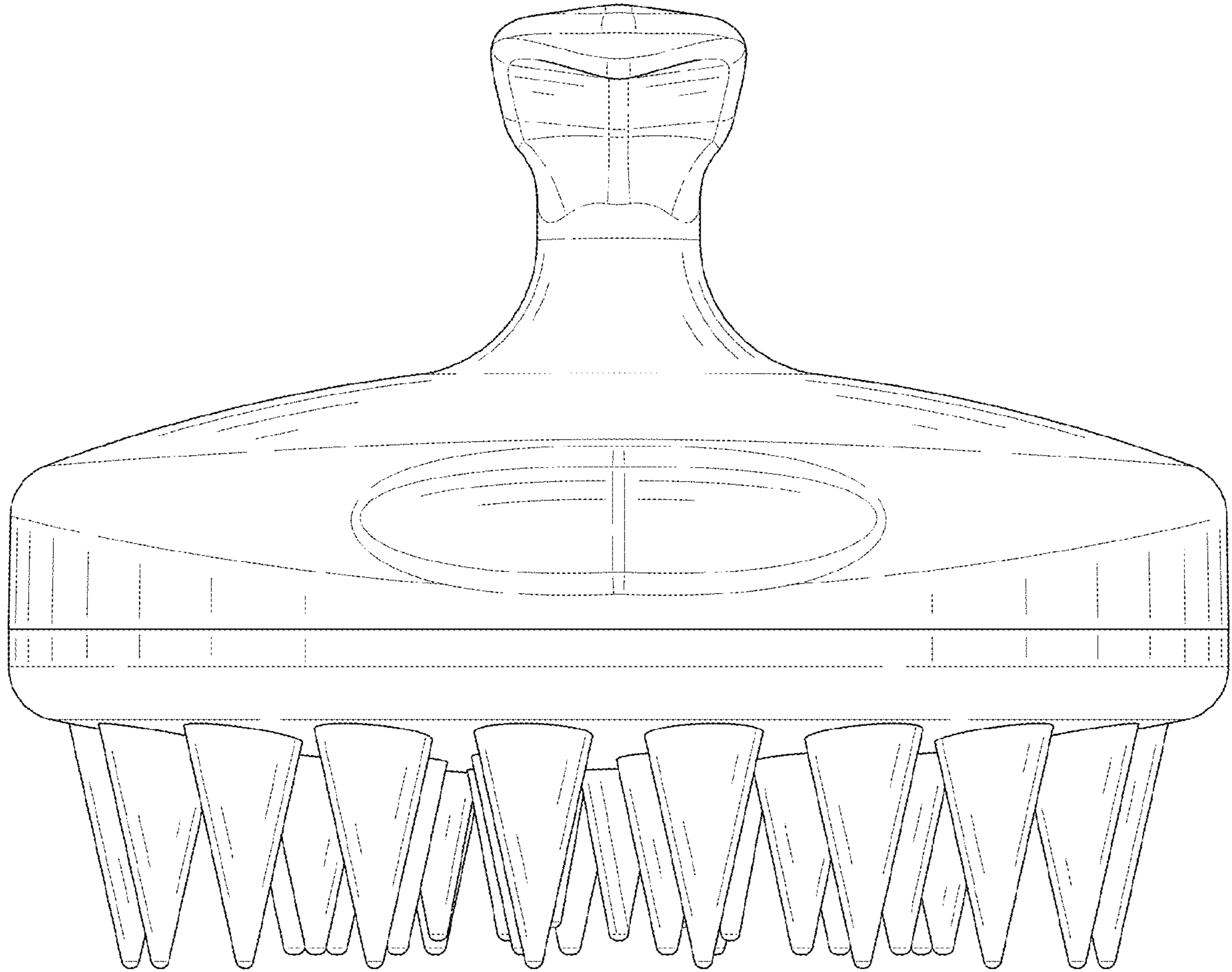


FIG. 5

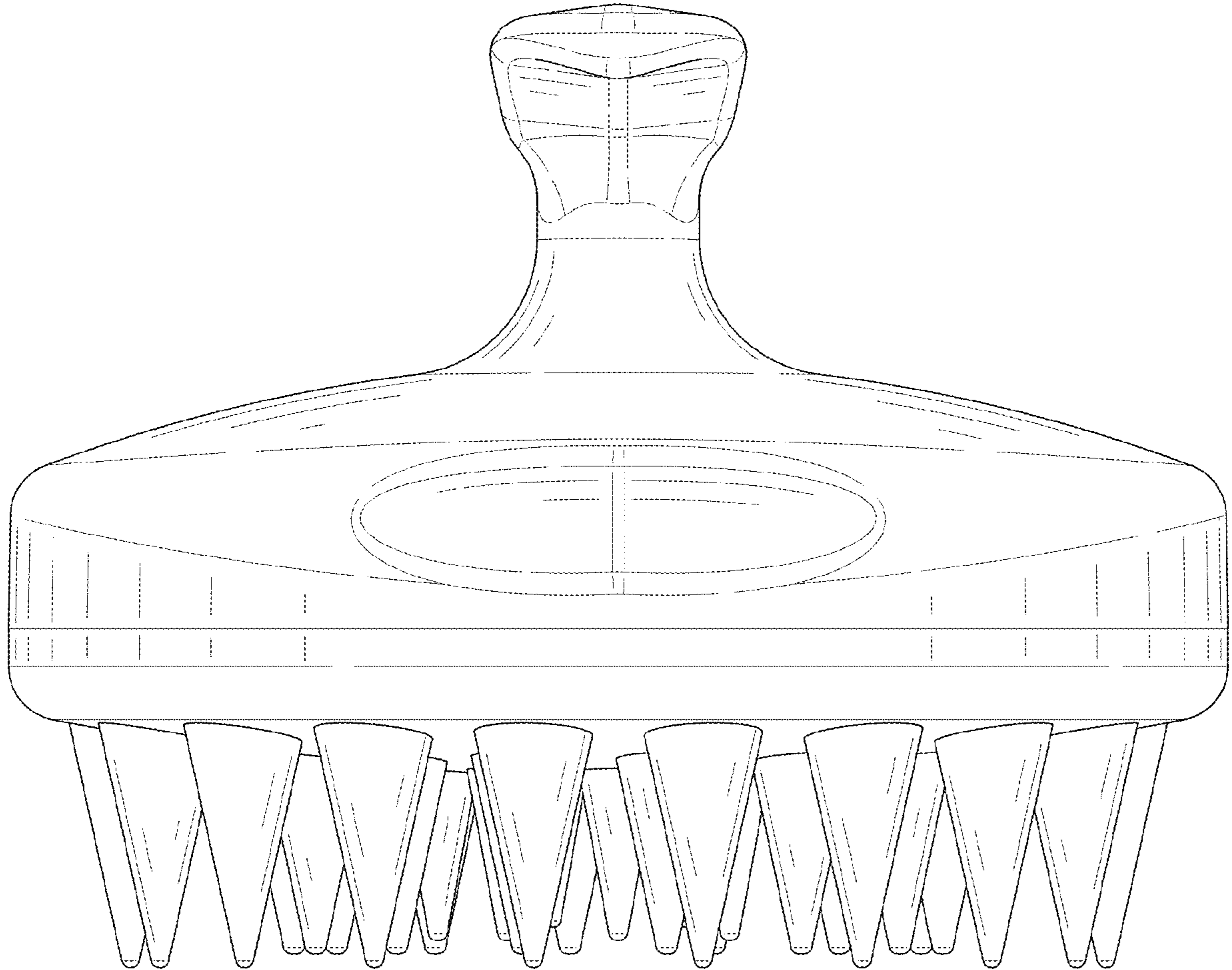


FIG. 6

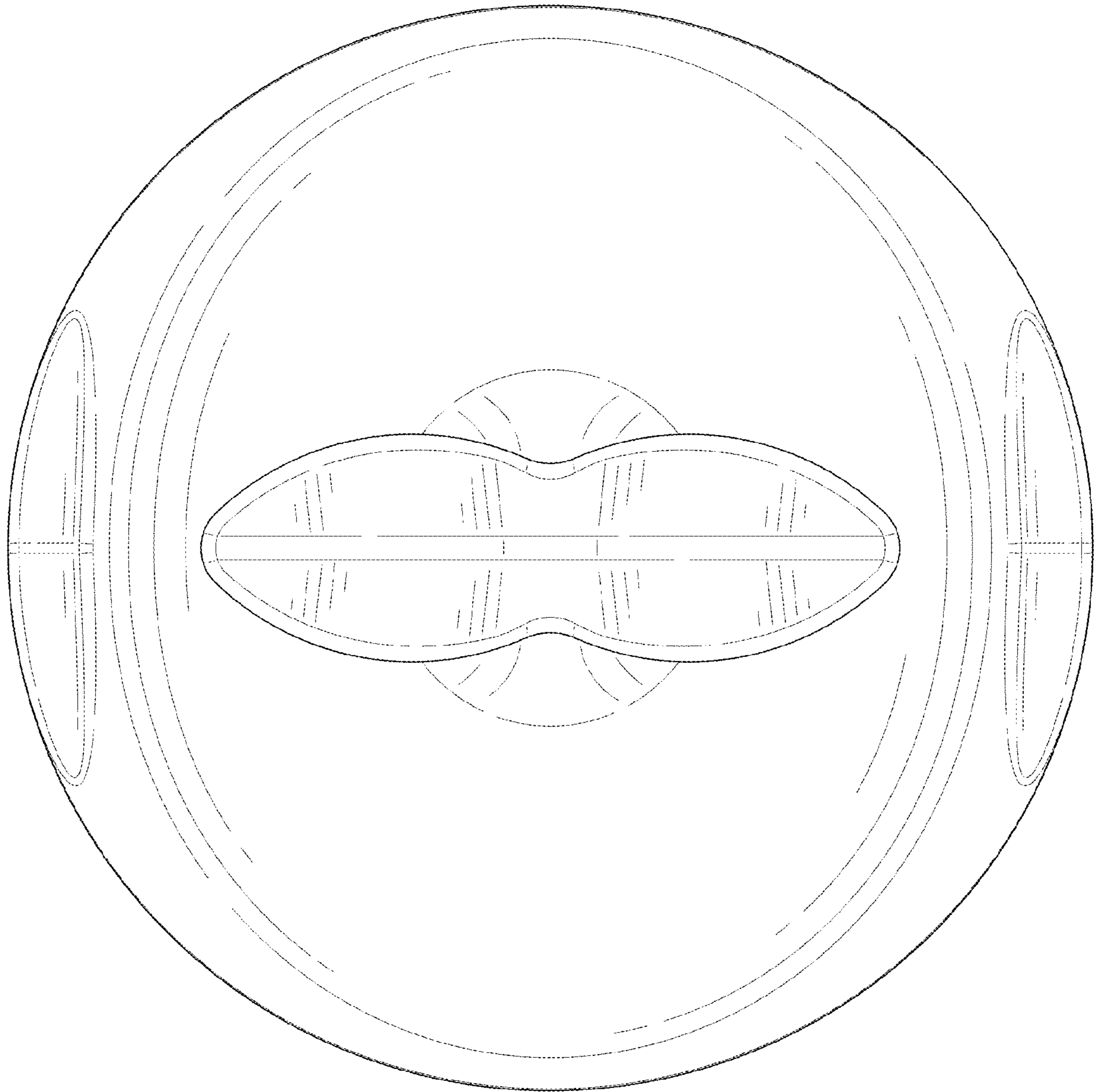


FIG. 7

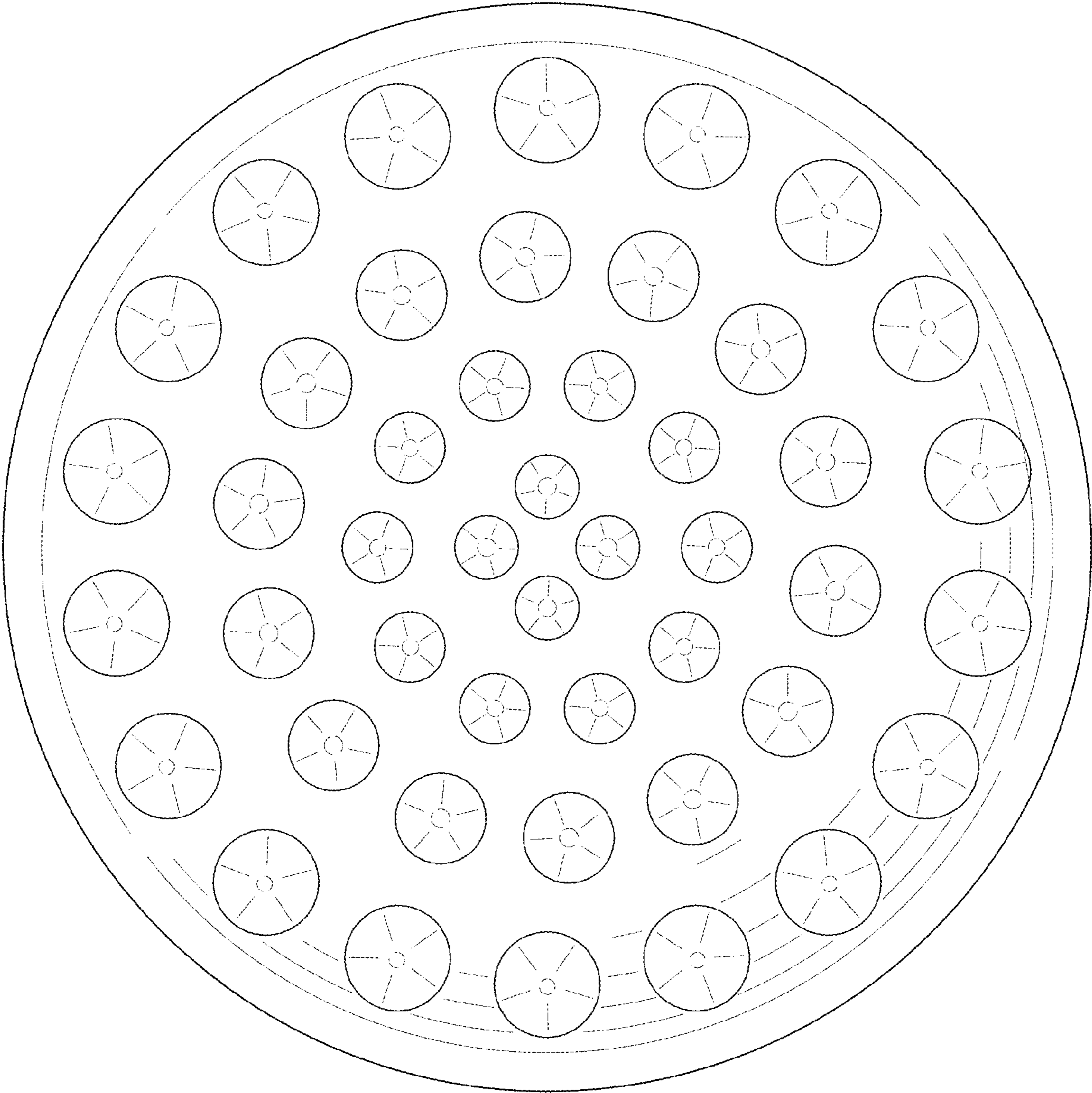


FIG. 8