



US00D336011S

United States Patent [19]

[11] Patent Number: **Des. 336,011**

Bannigan

[45] Date of Patent: **** Jun. 1, 1993**

[54] **FILTER CARTRIDGE**

[56] **References Cited**

[75] Inventor: **Francis R. Bannigan**, Victoria,
Australia

[73] Assignee: **Kambrook Distributing Pty. Ltd.**,
Australia

[**] Term: **14 Years**

[21] Appl. No.: **714,765**

[22] Filed: **Jun. 12, 1991**

U.S. PATENT DOCUMENTS

D. 290,323	6/1987	Weernink	D7/511
513,215	1/1894	Strater	210/477
1,078,171	11/1913	Shaw	210/477
4,508,235	4/1985	Steele et al.	D7/510 X
4,666,600	5/1987	Hankammer	210/477 X
4,764,274	8/1988	Miller	210/482 X
4,783,318	11/1988	Lapakko	210/482 X
4,990,254	2/1991	Toida et al.	210/477 X

Primary Examiner—Alan P. Douglas
Assistant Examiner—M. N. Pandozzi
Attorney, Agent, or Firm—Andrus, Sceales, Starke &
 Sawall

[30] Foreign Application Priority Data

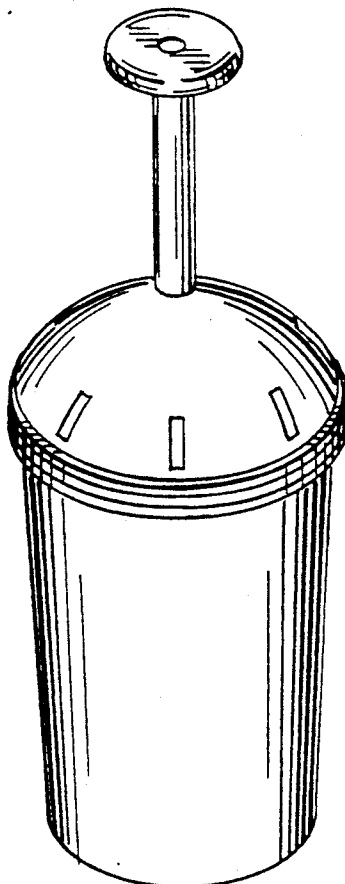
Jan. 14, 1991 [AU] Australia 102/91
 Mar. 6, 1991 [AU] Australia 647/91
 [52] U.S. Cl. **D7/400; D23/209**
 [58] Field of Search D7/305, 306, 307, 400,
 D7/309, 399, 310, 509, 510, 511; D23/209;
 D32/53; 210/500.23, 500.1, 477, 482, 481;
 99/295, 306, 323

[57] CLAIM

The ornamental design for a filter cartridge, as shown.

DESCRIPTION

FIG. 1 is a perspective view from one end of a filter cartridge incorporating my new design;
 FIG. 2 is a perspective view from the other end of the filter cartridge;
 FIG. 3 is a side view of the filter cartridge;
 FIG. 4 is a top plan view of the filter cartridge; and,
 FIG. 5 is a bottom plan view of the filter cartridge.



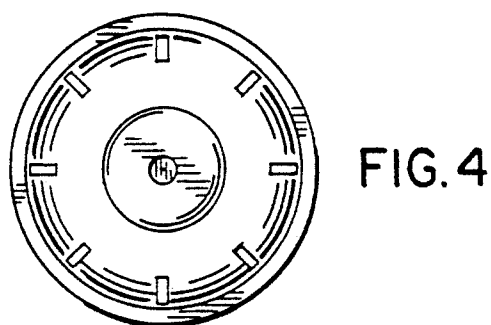
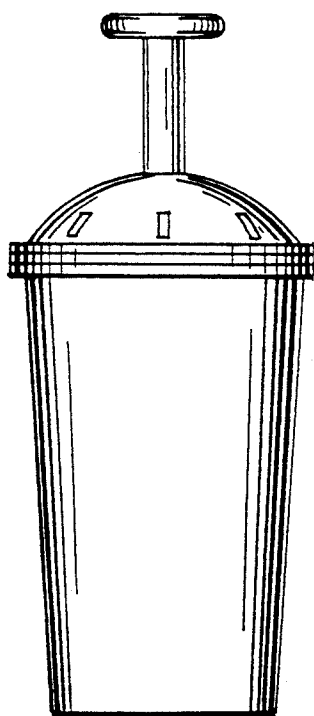
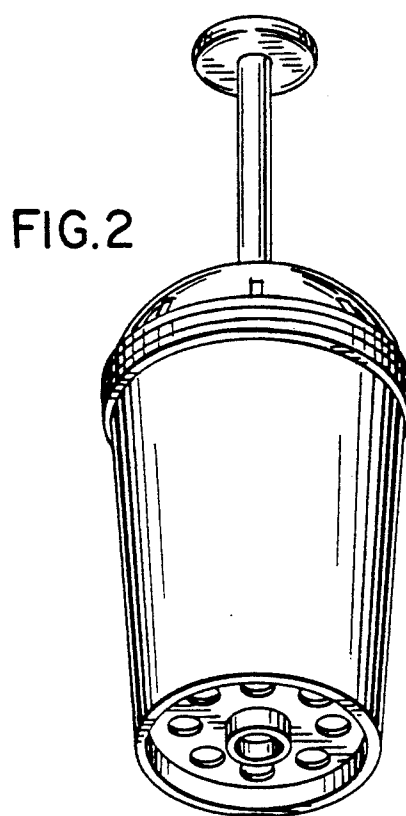
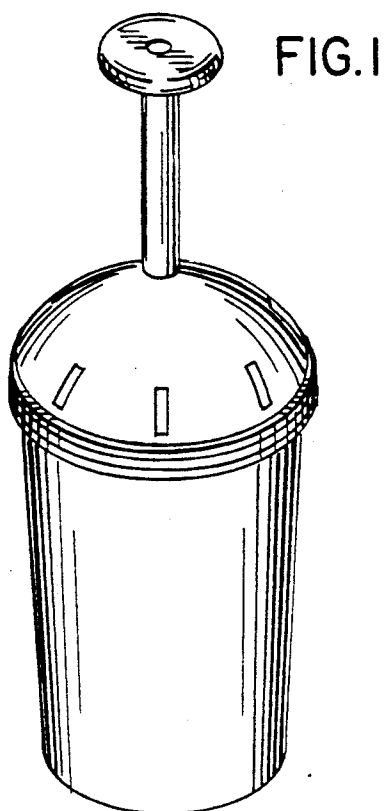


FIG. 3

FIG. 5

